



US00D610731S

(12) **United States Design Patent**  
**Lenz**

(10) **Patent No.:** **US D610,731 S**  
(45) **Date of Patent:** **\*\* Feb. 23, 2010**

(54) **OUTDOOR LIGHTING STRUCTURE**

(76) Inventor: **Erwin Lenz**, Friedhofstrasse 18, 74535,  
Mainhardt (DE)

(\*\*) Term: **14 Years**

(21) Appl. No.: **29/315,954**

(22) Filed: **Aug. 10, 2009**

(51) **LOC (9) Cl.** ..... **26-05**

(52) **U.S. Cl.** ..... **D26/71; D26/69**

(58) **Field of Classification Search** ..... D26/67-72,  
D26/85, 92; 362/145, 152, 183, 294, 373,  
362/414, 431, 545, 800, 249.02, 249.03,  
362/249.14

See application file for complete search history.

(56) **References Cited**

**U.S. PATENT DOCUMENTS**

D214,584	S	*	7/1969	Routh et al.	.....	D26/63
5,136,493	A	*	8/1992	Straus et al.	.....	362/373
D344,604	S	*	2/1994	Solberg et al.	.....	D26/69
D361,398	S	*	8/1995	Neall, III	.....	D26/67
D519,667	S	*	4/2006	Zucker	.....	D26/85
D558,909	S	*	1/2008	Ertze Encinas et al.	.....	D26/71
D600,847	S	*	9/2009	Wung et al.	.....	D26/71
7,611,263	B2	*	11/2009	Huang et al.	.....	362/249.02
2009/0185362	A1	*	7/2009	Hong et al.	.....	362/97.1

\* cited by examiner

*Primary Examiner*—Clare E Heflin

(74) *Attorney, Agent, or Firm*—Knechtel, Demeur & Samlan

(57) **CLAIM**

I claim the ornamental design for an outdoor lighting structure, as shown and described.

**DESCRIPTION**

FIG. 1 is a perspective view of an outdoor lighting structure showing a first embodiment of my new design;

FIG. 2 is a top plan view thereof;

FIG. 3 is a front elevation view thereof, the rear elevation being the same;

FIG. 4 is a left side elevation view thereof, the right side elevation being the same;

FIG. 5 is a perspective view of the outdoor lighting structure showing a second embodiment of my new design;

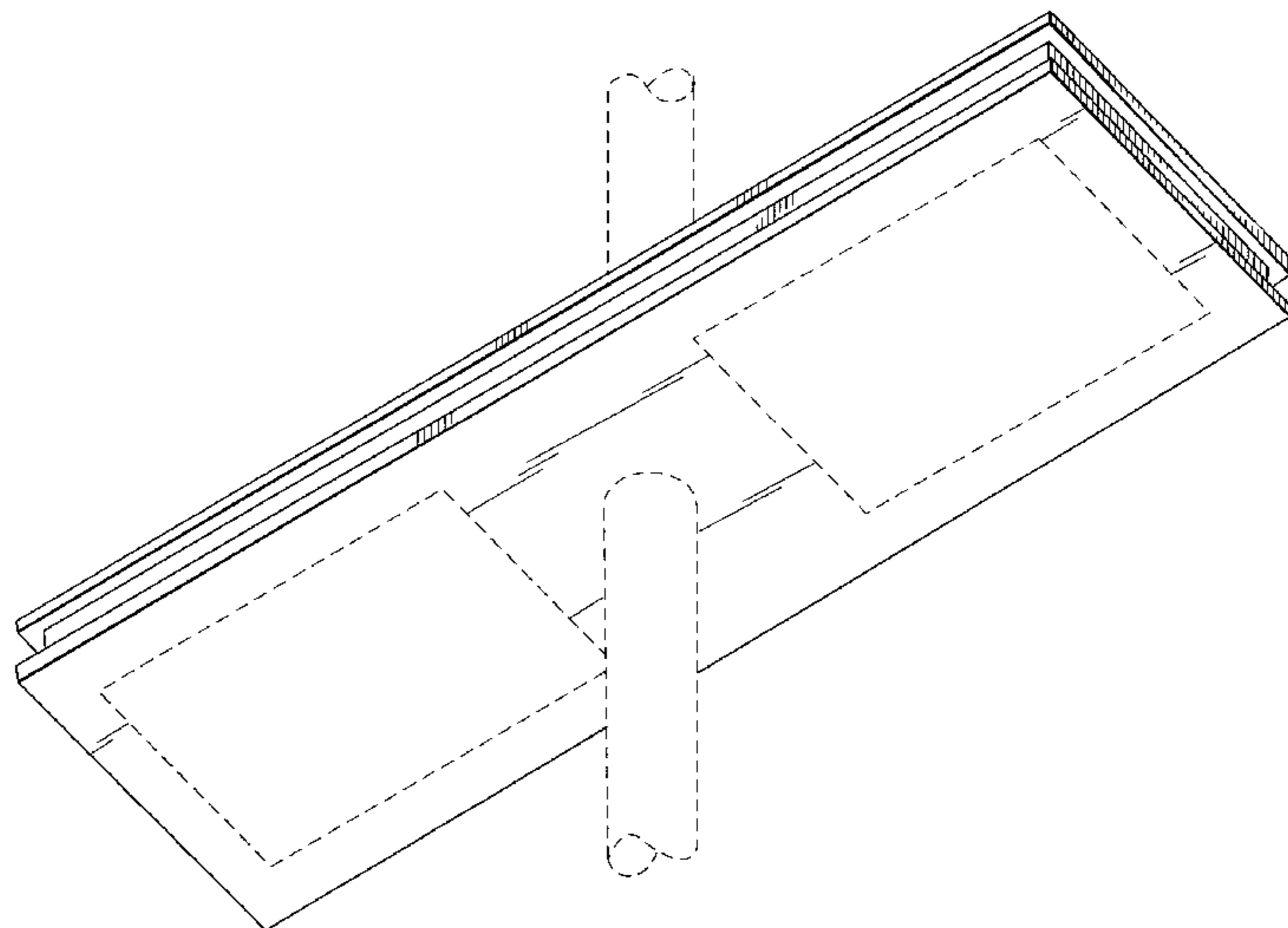
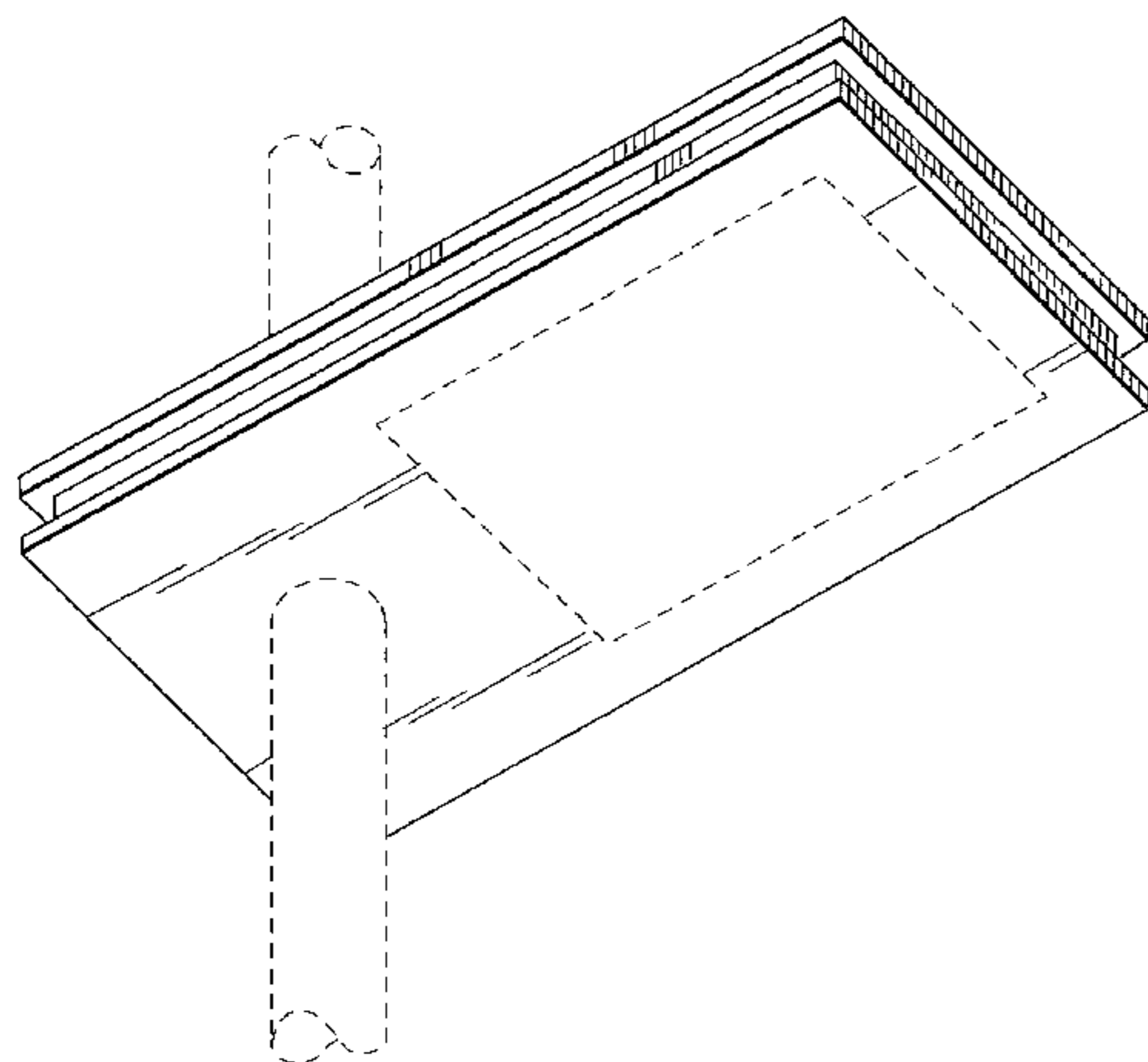
FIG. 6 is a left side elevation view thereof, the right side elevation being the same;

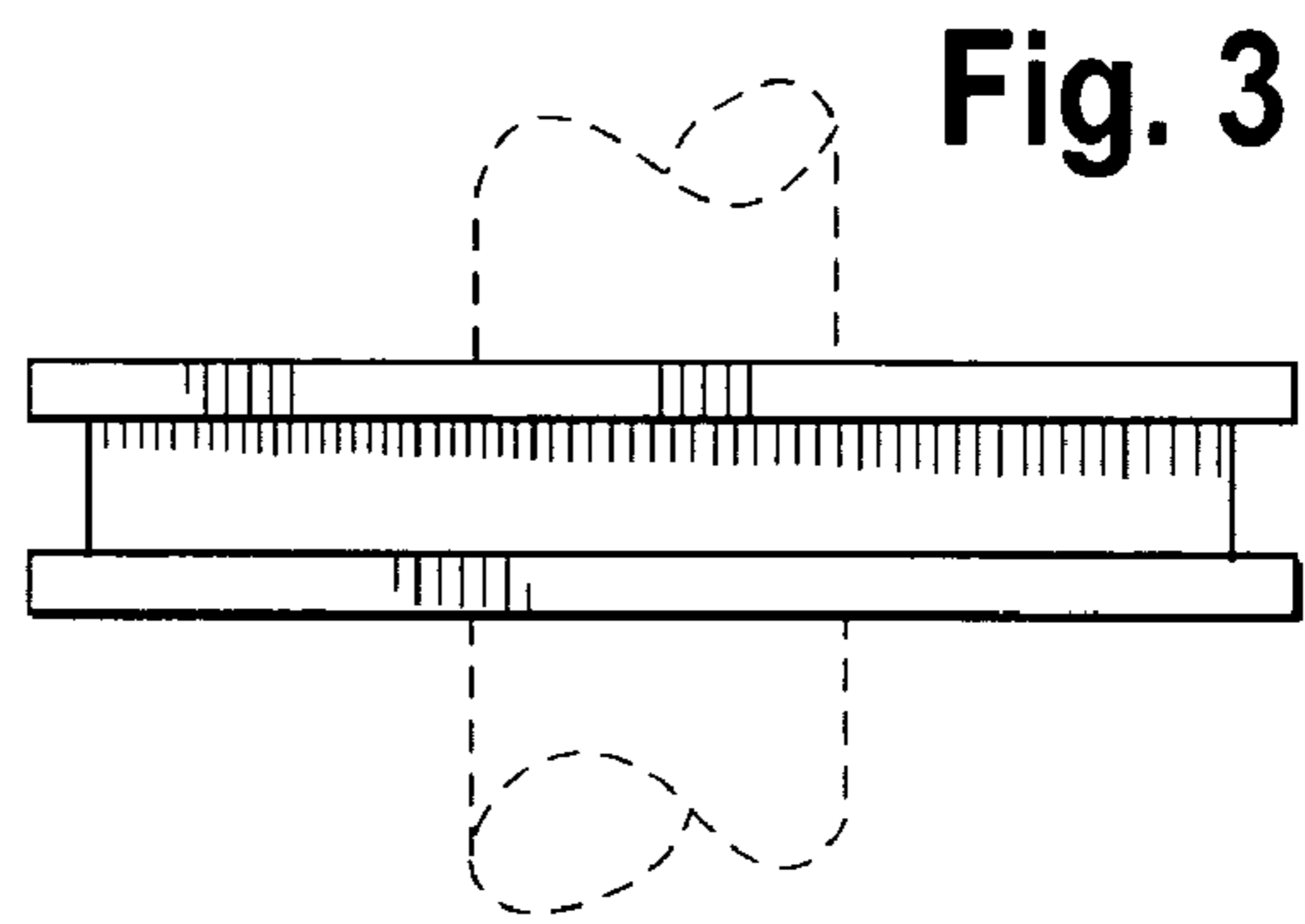
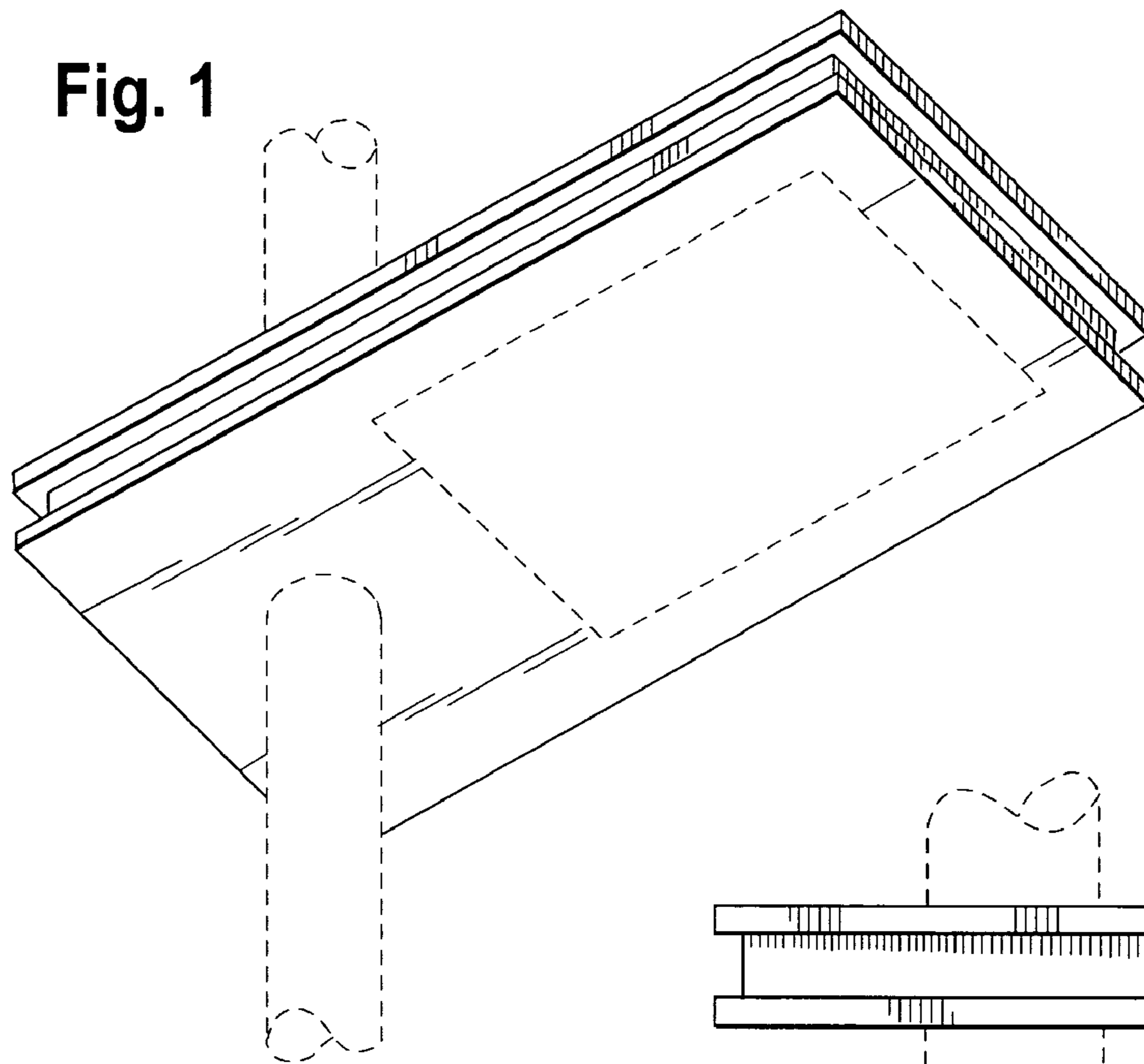
FIG. 7 is a perspective view of the outdoor lighting structure showing a third embodiment of my new design; and,

FIG. 8 is a left side elevation view thereof, the right side elevation being the same.

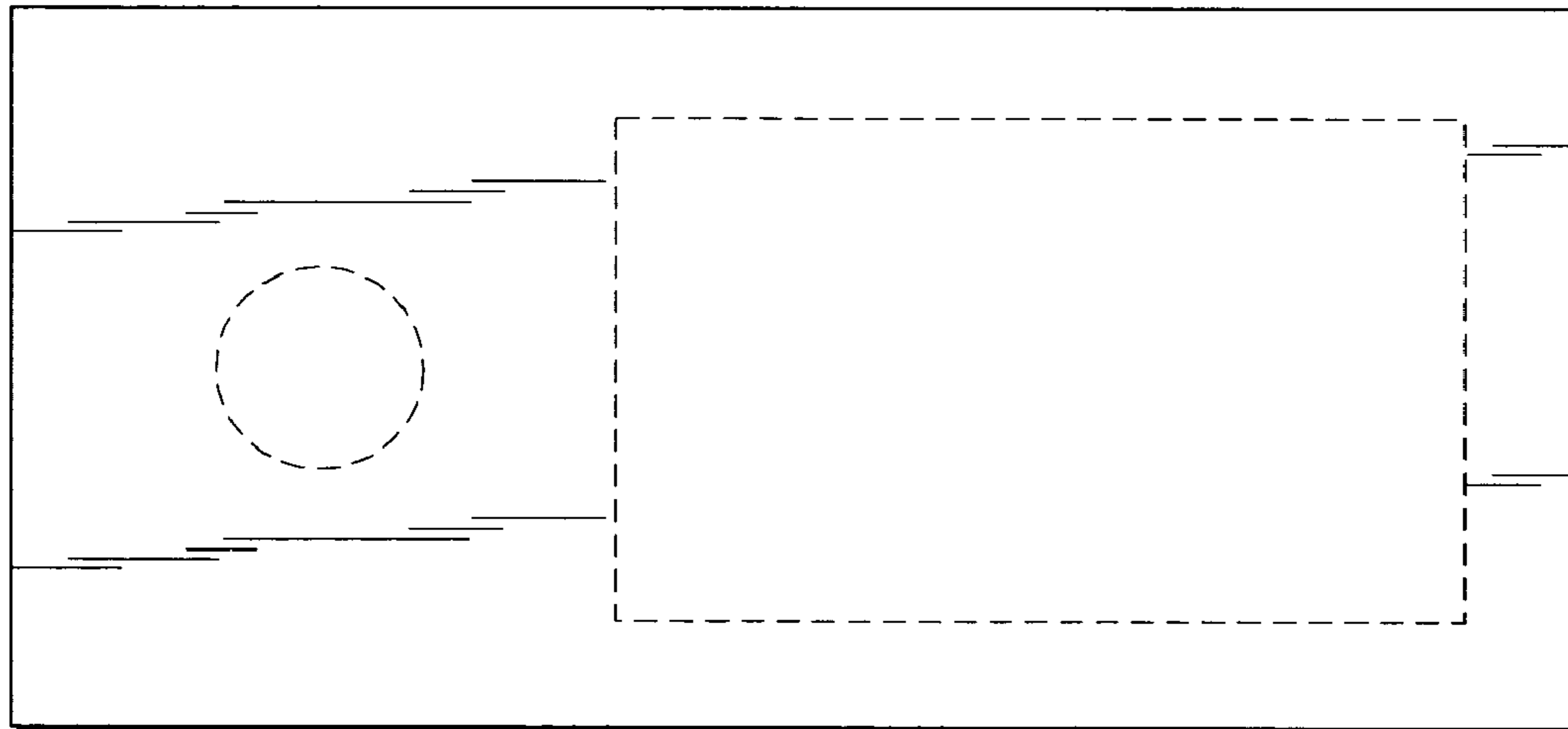
The broken lines shown on the drawings are for illustrative purposes only and form no part of the claimed design.

**1 Claim, 3 Drawing Sheets**

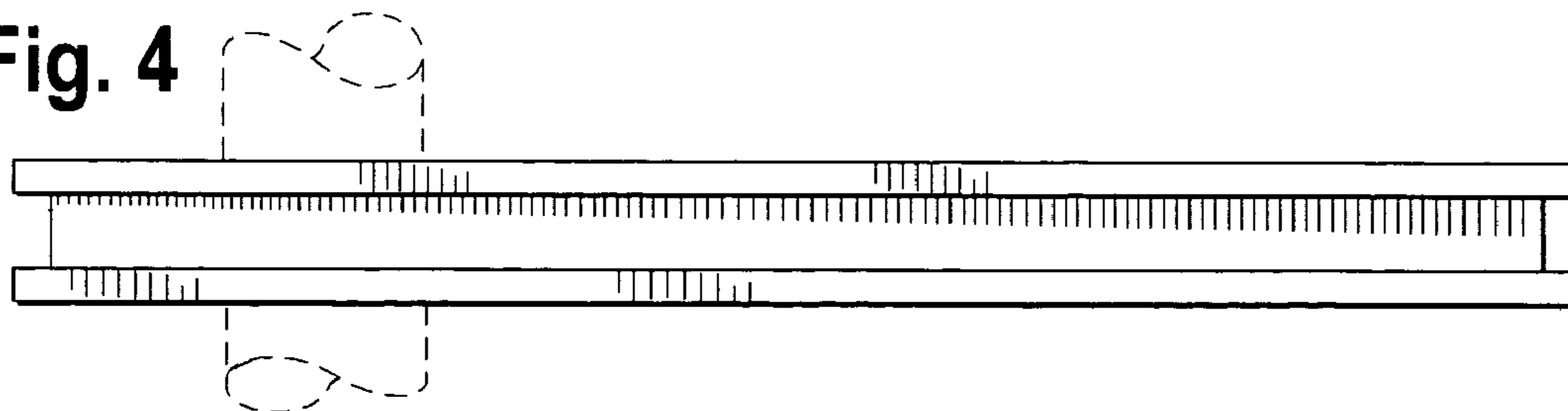




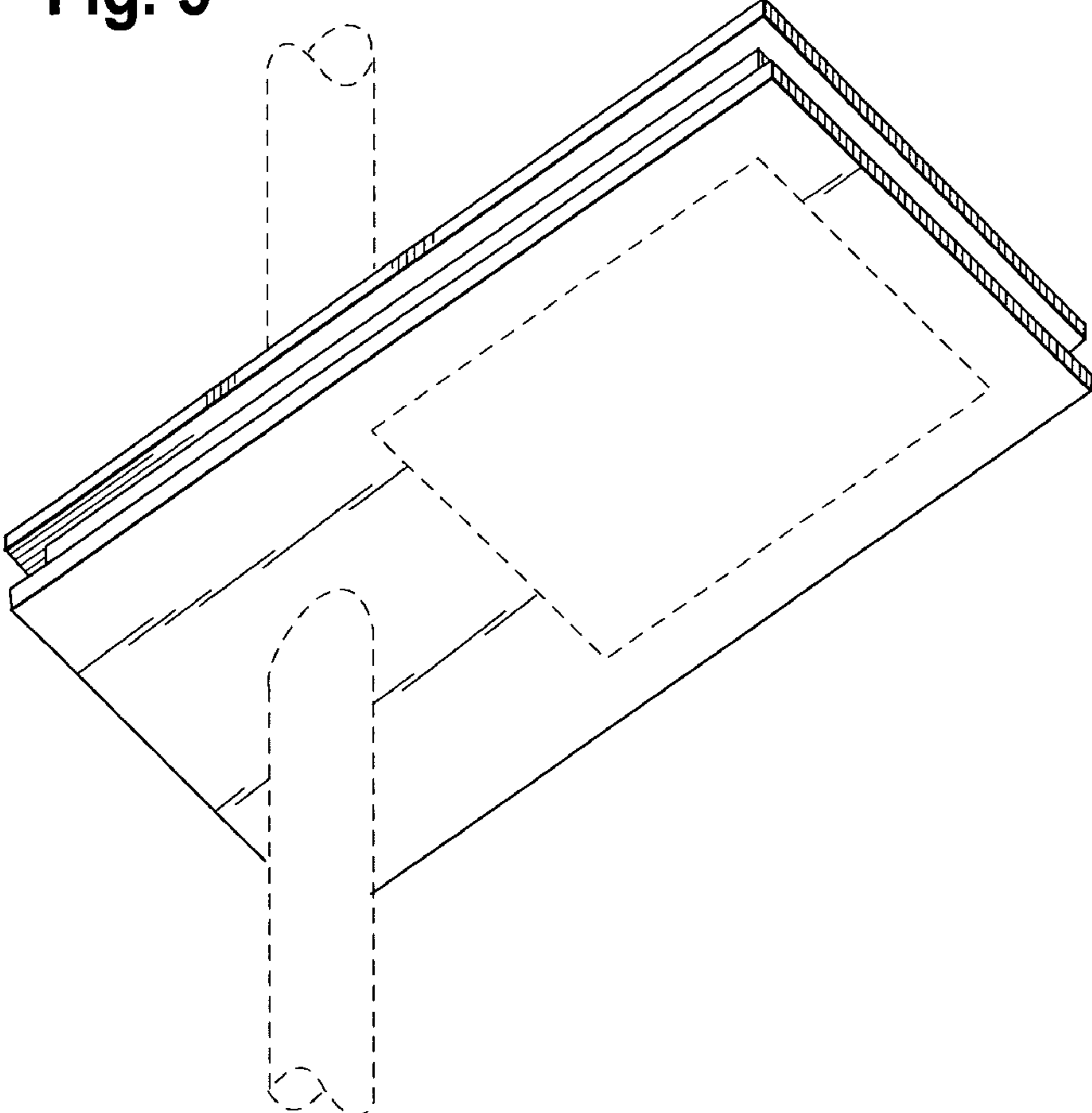
**Fig. 2**



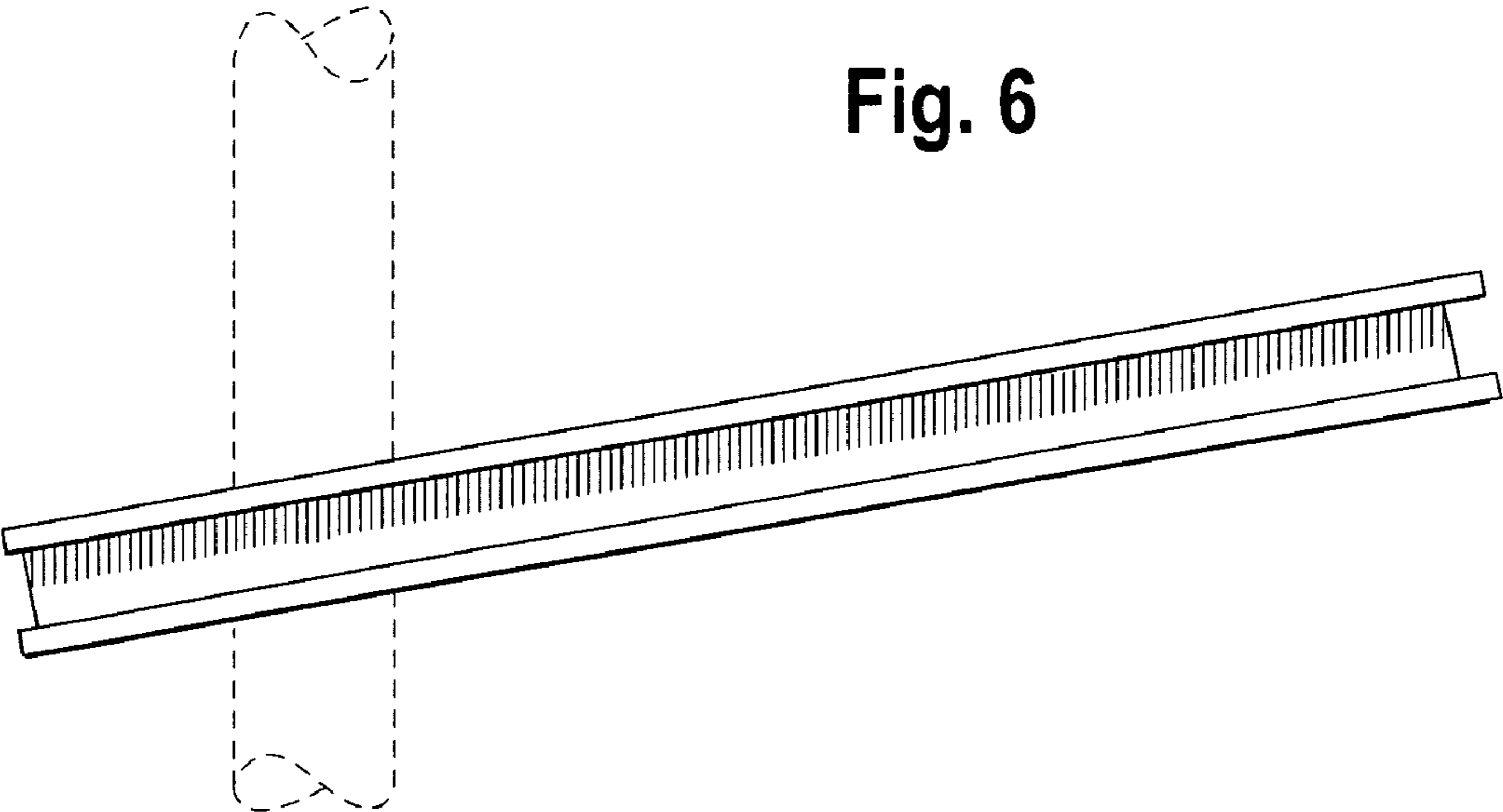
**Fig. 4**



**Fig. 5**



**Fig. 6**



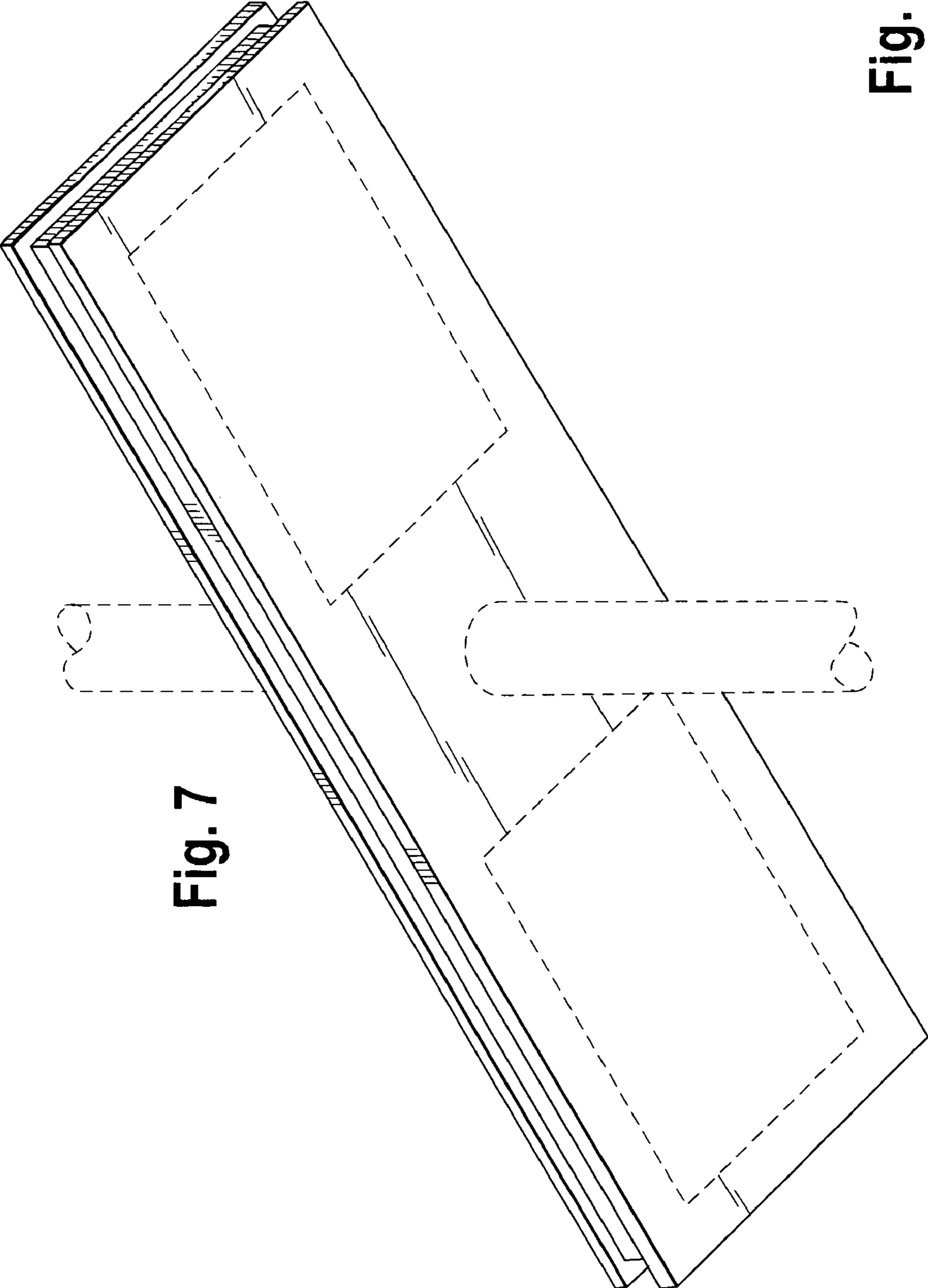


Fig. 7

Fig. 8

