



US00D610730S

(12) **United States Design Patent**
Flaherty et al.

(10) **Patent No.:** **US D610,730 S**
(45) **Date of Patent:** **** Feb. 23, 2010**

(54) **LIGHTED POST**

D373,000 S 8/1996 Brady
D377,541 S 1/1997 Porter

(75) Inventors: **Richard A. Flaherty**, Grapeview, WA (US); **Matthew A. Gray**, Bremerton, WA (US); **Michael P. Coffey**, Port Orchard, WA (US)

(Continued)

(73) Assignee: **Leader Manufacturing, Inc.**, Port Orchard, WA (US)

OTHER PUBLICATIONS

(**) Term: **14 Years**

FairWeather Site Furnishings "Cool Touch" B-6-L lighted bollards shown in 4 page brochure downloaded from www.fairweathersf.com on Feb. 3, 2009.

(21) Appl. No.: **29/340,236**

Primary Examiner—Clare E Heflin

(22) Filed: **Jul. 15, 2009**

(74) *Attorney, Agent, or Firm*—Van Dyke, Gardner, Linn & Burkhardt, LLP

Related U.S. Application Data

(60) Division of application No. 29/330,348, filed on Jan. 6, 2009, now Pat. No. Des. 597,699, which is a continuation of application No. 11/265,034, filed on Nov. 2, 2005, now Pat. No. 7,473,016.

(57) **CLAIM**

The ornamental design for the lighted post, as shown and described.

(51) **LOC (9) Cl.** **26-05**

(52) **U.S. Cl.** **D26/68**

(58) **Field of Classification Search** D26/68-71;
362/153, 183, 431; D25/126, 128, 129; 52/832
See application file for complete search history.

DESCRIPTION

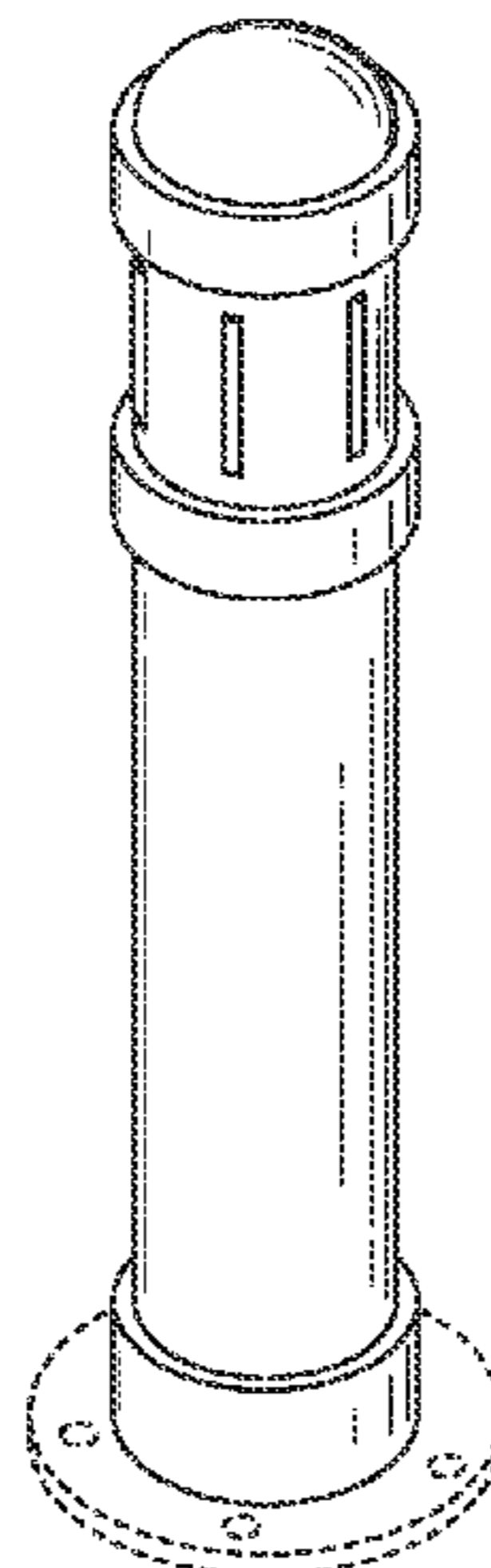
(56) **References Cited**

U.S. PATENT DOCUMENTS

1,629,946	A	5/1927	Angel
D141,421	S	5/1945	Fischel
D158,821	S	5/1950	Walter
3,248,532	A	4/1966	Bright
D209,416	S	11/1967	Smith
3,521,047	A	7/1970	Smith
D235,797	S	7/1975	Friedberg
4,438,484	A	3/1984	Winden
D275,969	S	10/1984	Bowers
D318,136	S	7/1991	Kira
5,266,738	A	11/1993	MacVoy
D371,620	S	7/1996	Cool
D372,320	S	7/1996	Brady

FIG. 1 is a perspective view of another embodiment of the present invention;
FIG. 2 is a front elevation view of the lighted post of FIG. 1;
FIG. 3 is a top plan view of the lighted post of FIG. 2;
FIG. 4 is a bottom plan view of the lighted post of FIG. 2;
FIG. 5 is a left side elevation view of the lighted post of FIG. 2;
FIG. 6 is a right side elevation view of the lighted post of FIG. 2; and,
FIG. 7 is a rear elevation view of the lighted post in FIG. 2.
The broken lines shown on the drawings depict environment only and form no part of the claimed design.

1 Claim, 2 Drawing Sheets



US D610,730 S

Page 2

U.S. PATENT DOCUMENTS

D382,910 S	8/1997	Greenfield	6,530,675 B1	3/2003	Van Etten
D393,089 S	3/1998	Metcheur, III	D479,355 S	9/2003	Dalton et al.
D406,915 S	3/1999	Metcheur, III	6,705,751 B1	3/2004	Liu
D412,015 S	7/1999	Greenfield	D541,461 S	4/2007	Flaherty
D425,646 S	5/2000	Giese et al.	D554,282 S	10/2007	Flaherty et al.
D426,013 S	5/2000	Landefeld	D558,373 S	12/2007	Flaherty et al.
D435,130 S	12/2000	Landefeld	D570,515 S	6/2008	Flaherty et al.
D435,309 S	12/2000	Landefeld	7,473,016 B2	1/2009	Flaherty et al.
D439,000 S	3/2001	Landefeld	2002/0114170 A1	8/2002	Chen et al.
D440,339 S	4/2001	Landefeld	2005/0231938 A1	10/2005	Venegas, Jr.
6,457,847 B1	10/2002	LeVasseur	2006/0092646 A1	5/2006	Kelly et al.
			2006/0109667 A1	5/2006	Flaherty et al.
			2007/0008717 A1	1/2007	Flaherty

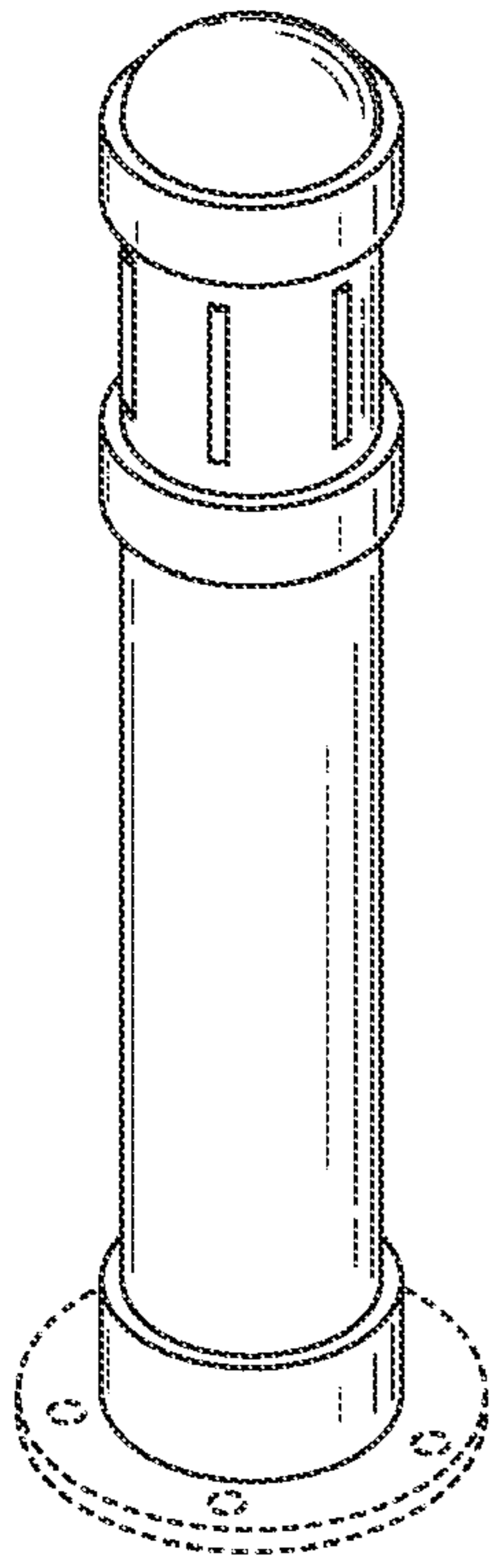


FIG. 1

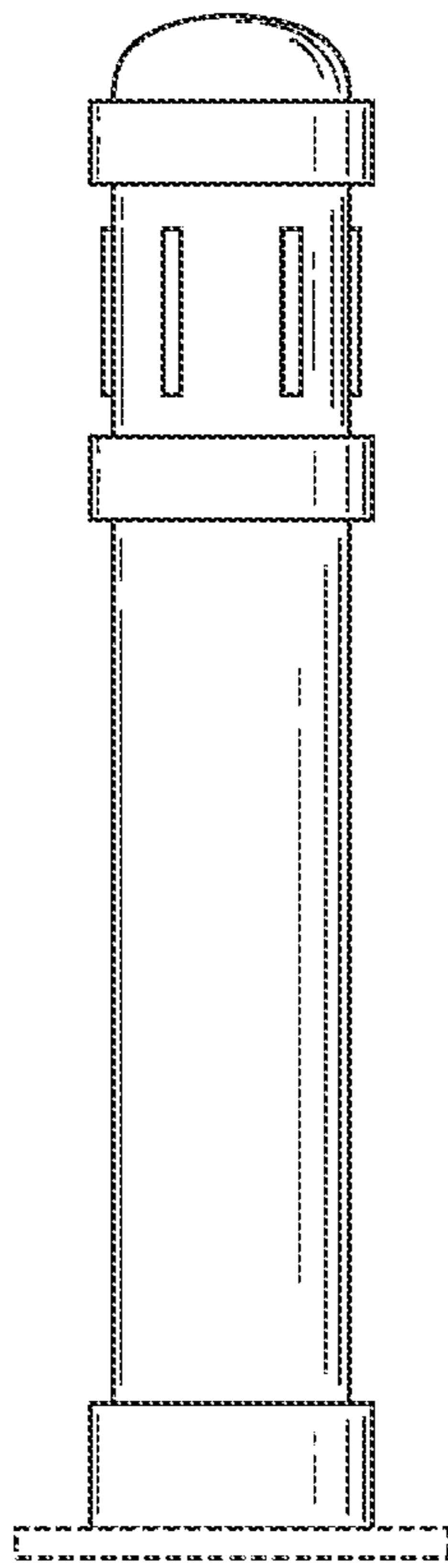


FIG. 2

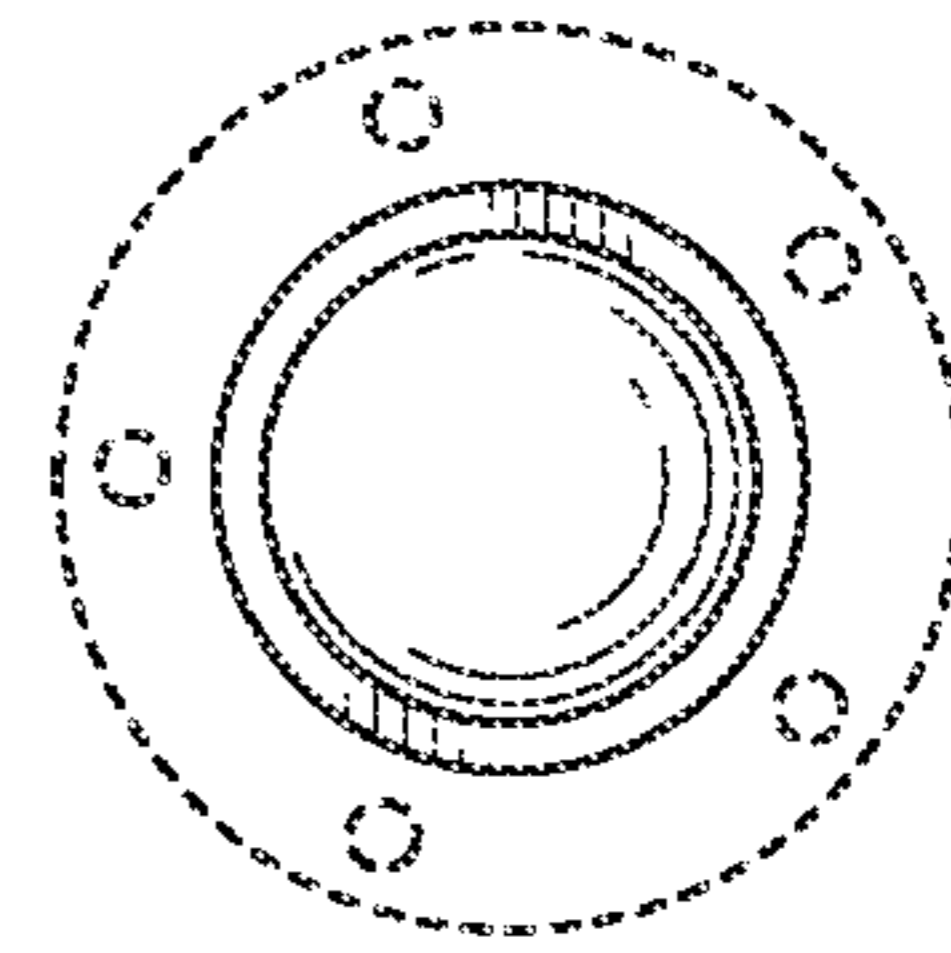


FIG. 3

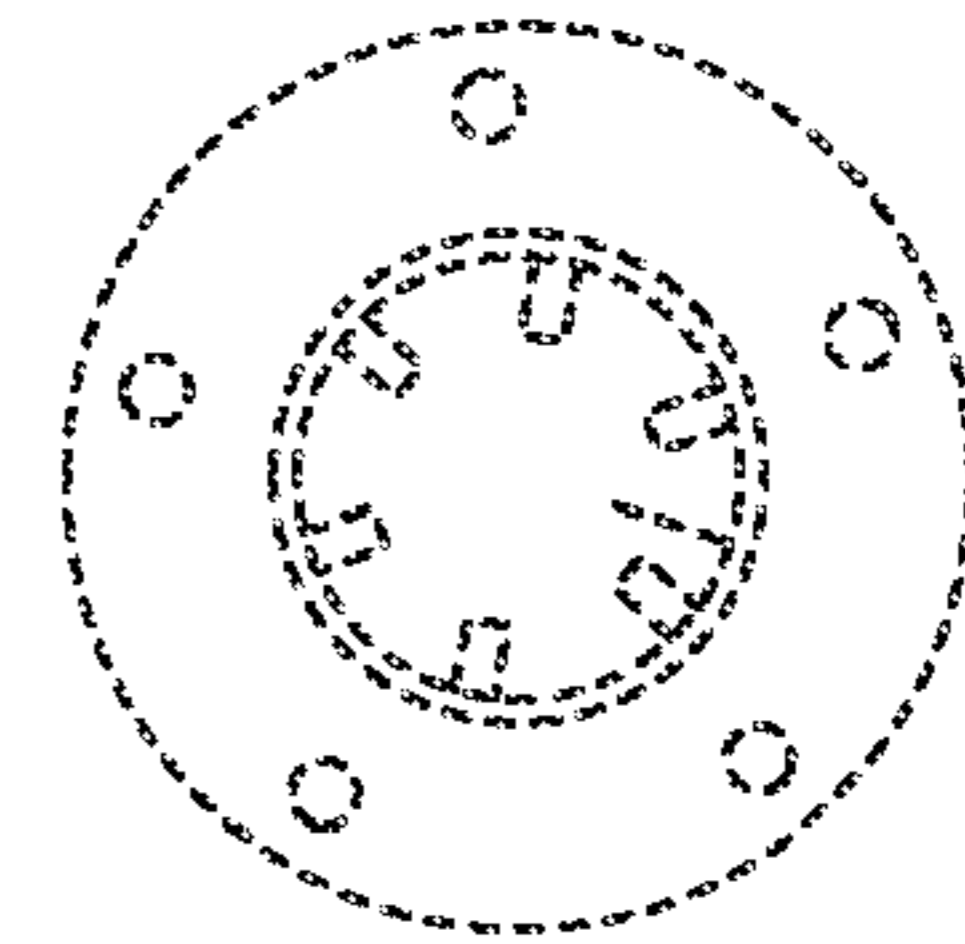


FIG. 4

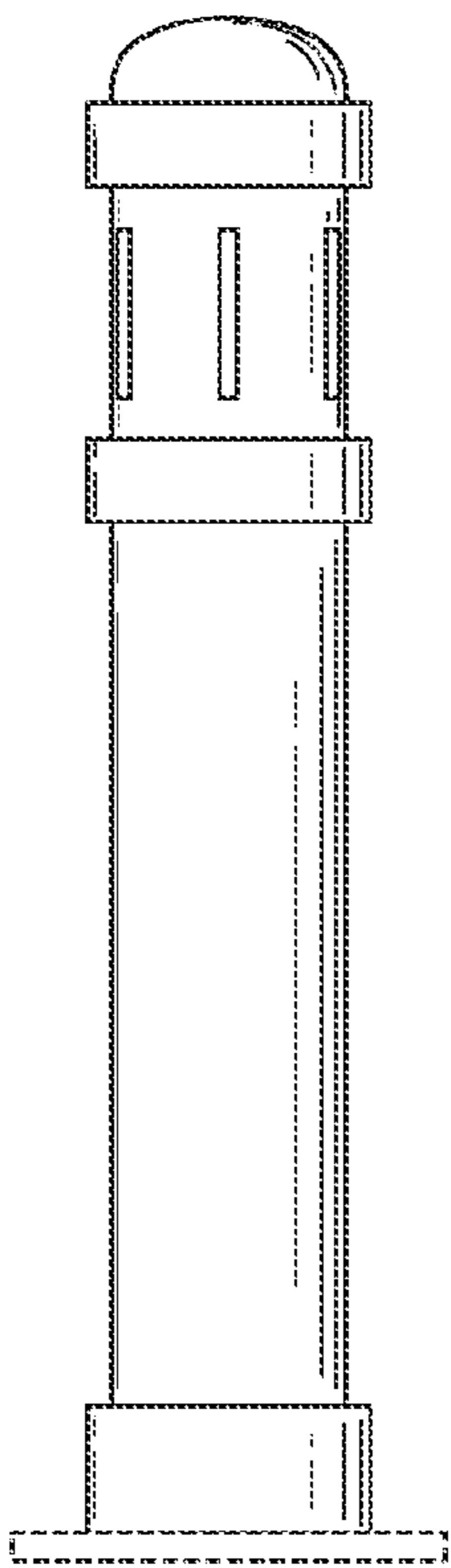


FIG. 5

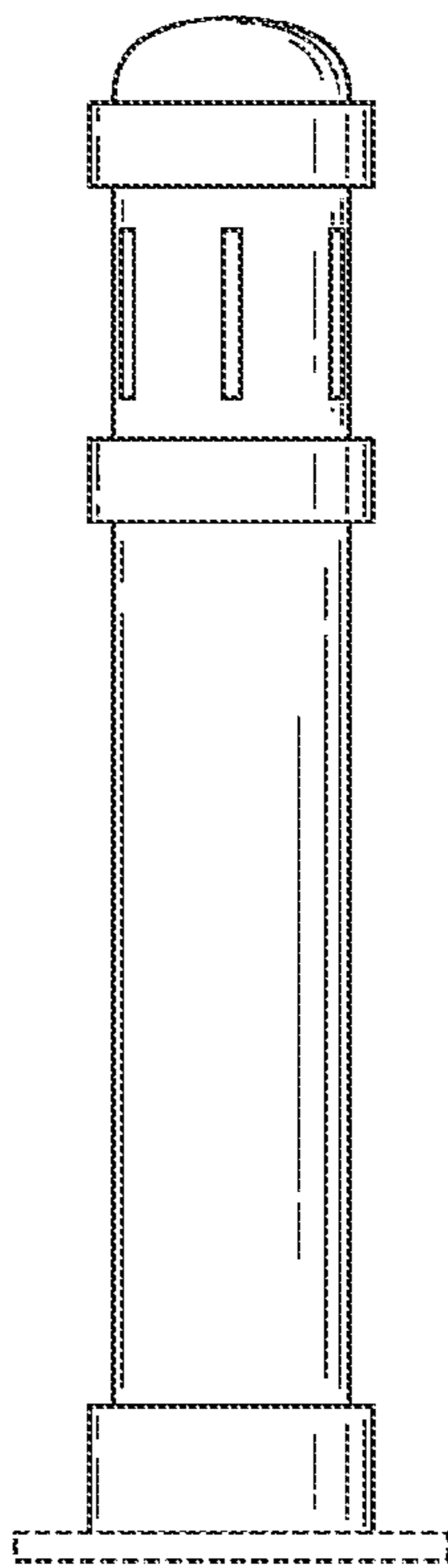


FIG. 6

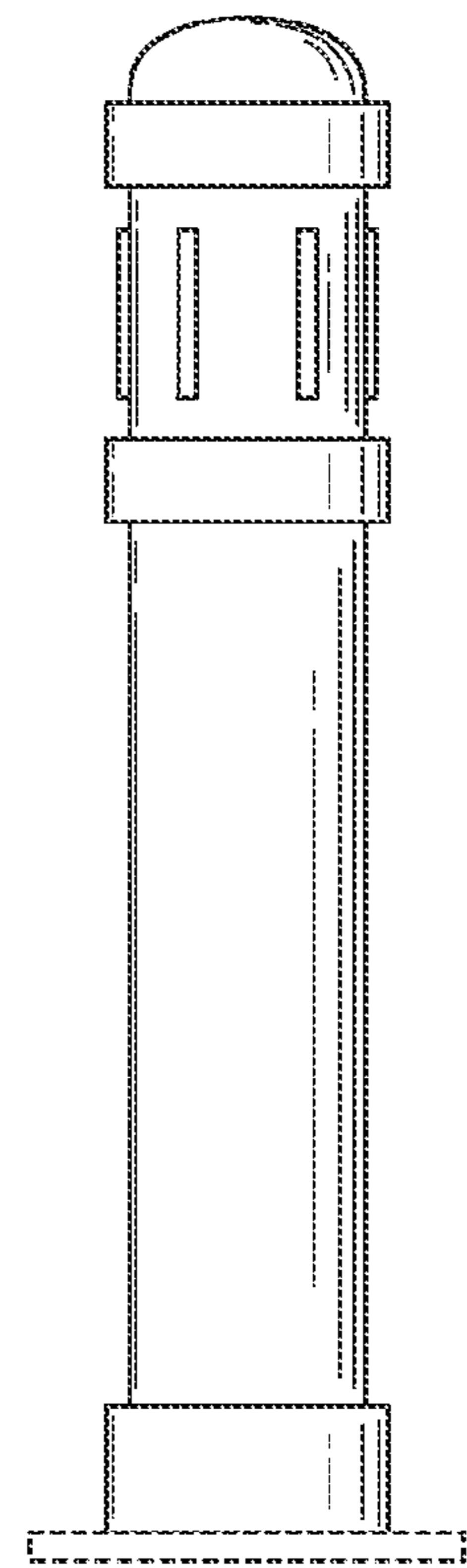


FIG. 7