



US00D610729S

(12) **United States Design Patent**  
**Kushinskaya et al.**

(10) **Patent No.:** **US D610,729 S**  
(45) **Date of Patent:** **\*\* Feb. 23, 2010**

(54) **LIGHTING FIXTURE**

(75) Inventors: **Elena Kushinskaya**, Encino, CA (US);  
**Henry Avila**, Los Angeles, CA (US)

(73) Assignee: **U.S. Pole Company, Inc.**, Palmdale, CA (US)

(\*\*) Term: **14 Years**

(21) Appl. No.: **29/330,184**

(22) Filed: **Dec. 30, 2008**

**Related U.S. Application Data**

(62) Division of application No. 29/280,765, filed on Jun. 6, 2007, now Pat. No. Des. 583,975.

(51) **LOC (9) Cl.** ..... **26-05**

(52) **U.S. Cl.** ..... **D26/63**

(58) **Field of Classification Search** ..... D26/60-66,  
D26/93, 107, 118, 128; 362/269, 277, 278,  
362/282, 285, 287, 288, 401-402, 410, 413-414,  
362/418-430, 494

See application file for complete search history.

(56) **References Cited**

**U.S. PATENT DOCUMENTS**

D223,547 S	5/1972	Ohwa	
D295,287 S *	4/1988	Krogsrud et al.	D16/135
D316,303 S *	4/1991	Layne	D26/63
D316,452 S *	4/1991	Kira	D26/68
D345,518 S *	3/1994	Merlo	D10/106
D350,212 S *	8/1994	Yuen	D26/65
D350,620 S *	9/1994	Yuen	D26/65
D351,678 S *	10/1994	Chen	D26/65
D373,437 S	9/1996	Kira	

5,584,574 A	12/1996	Haddad	
5,599,091 A	2/1997	Kira	
5,713,662 A	2/1998	Kira	
D405,903 S	2/1999	Lin	
D423,130 S *	4/2000	Kung	D26/60
6,497,501 B1	12/2002	Harder	
D495,079 S	8/2004	Mullen	
D519,662 S	4/2006	Mullen	
D544,137 S *	6/2007	Montefusco	D26/118
2006/0193138 A1	8/2006	Montefusco	

**FOREIGN PATENT DOCUMENTS**

WO	DM/055879	3/2001
WO	DM/055880	3/2001

\* cited by examiner

*Primary Examiner*—Cathron C Brooks

*Assistant Examiner*—Barbara Fox

(74) *Attorney, Agent, or Firm*—Christie, Parker & Hale, LLP.

(57) **CLAIM**

The ornamental design for lighting fixture, as shown and described.

**DESCRIPTION**

FIG. 1 is a perspective view of a lighting fixture showing the design;

FIG. 2 is a left side view of the design of FIG. 1, shown in an alternate position;

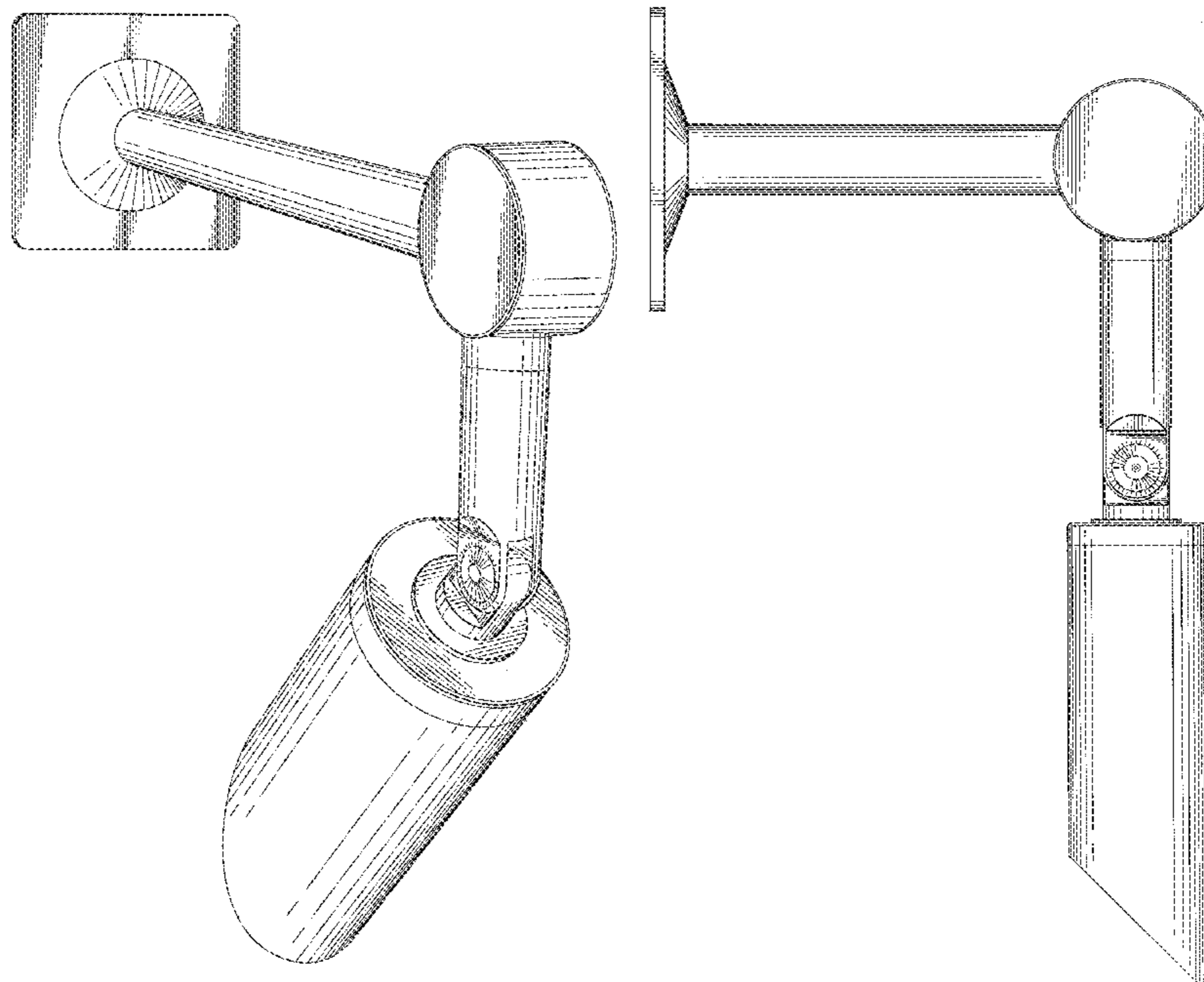
FIG. 3 is a front view thereof;

FIG. 4 is a right side view thereof;

FIG. 5 is a top view thereof; and,

FIG. 6 is a bottom view thereof.

**1 Claim, 5 Drawing Sheets**



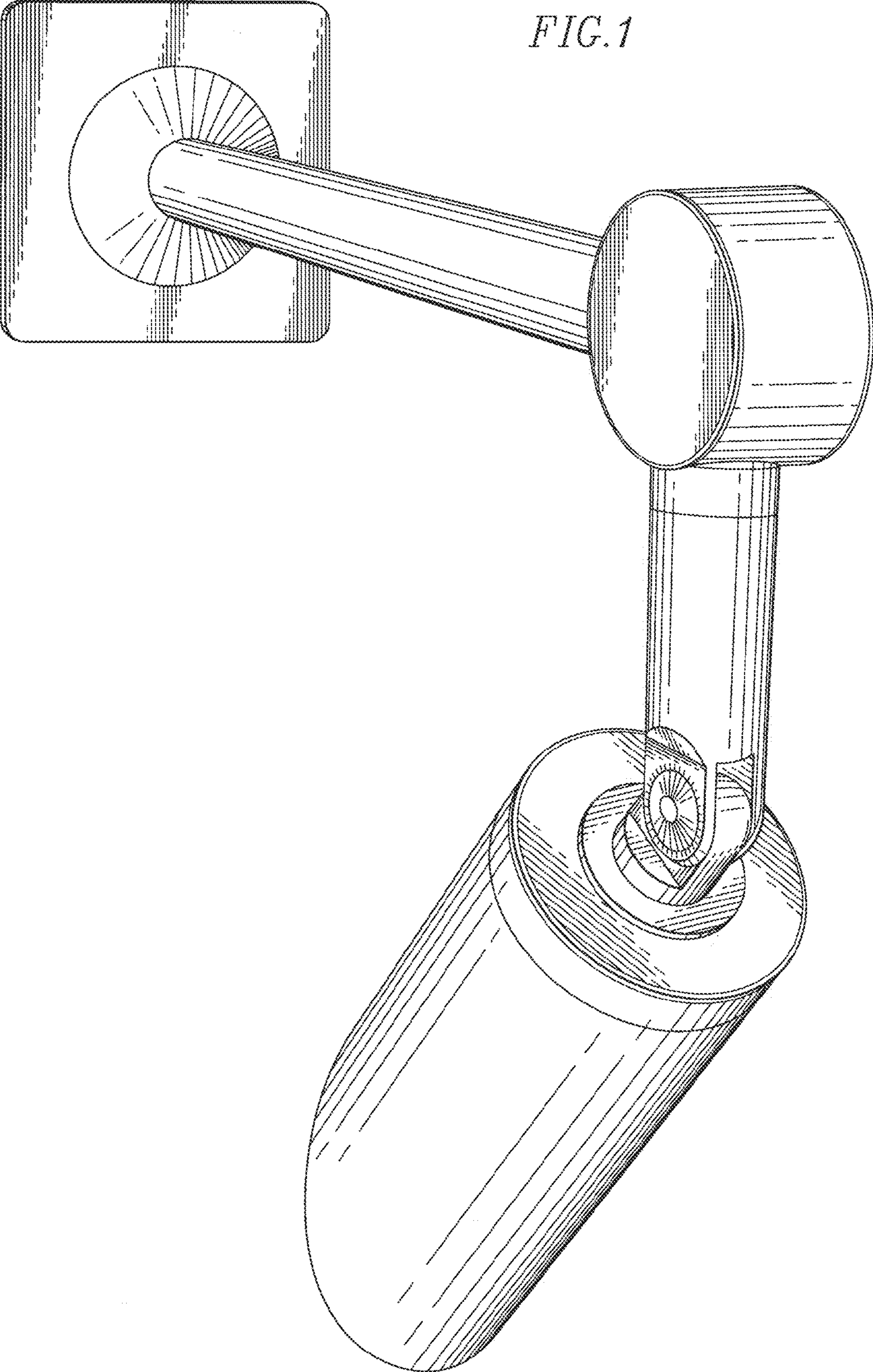


FIG. 2

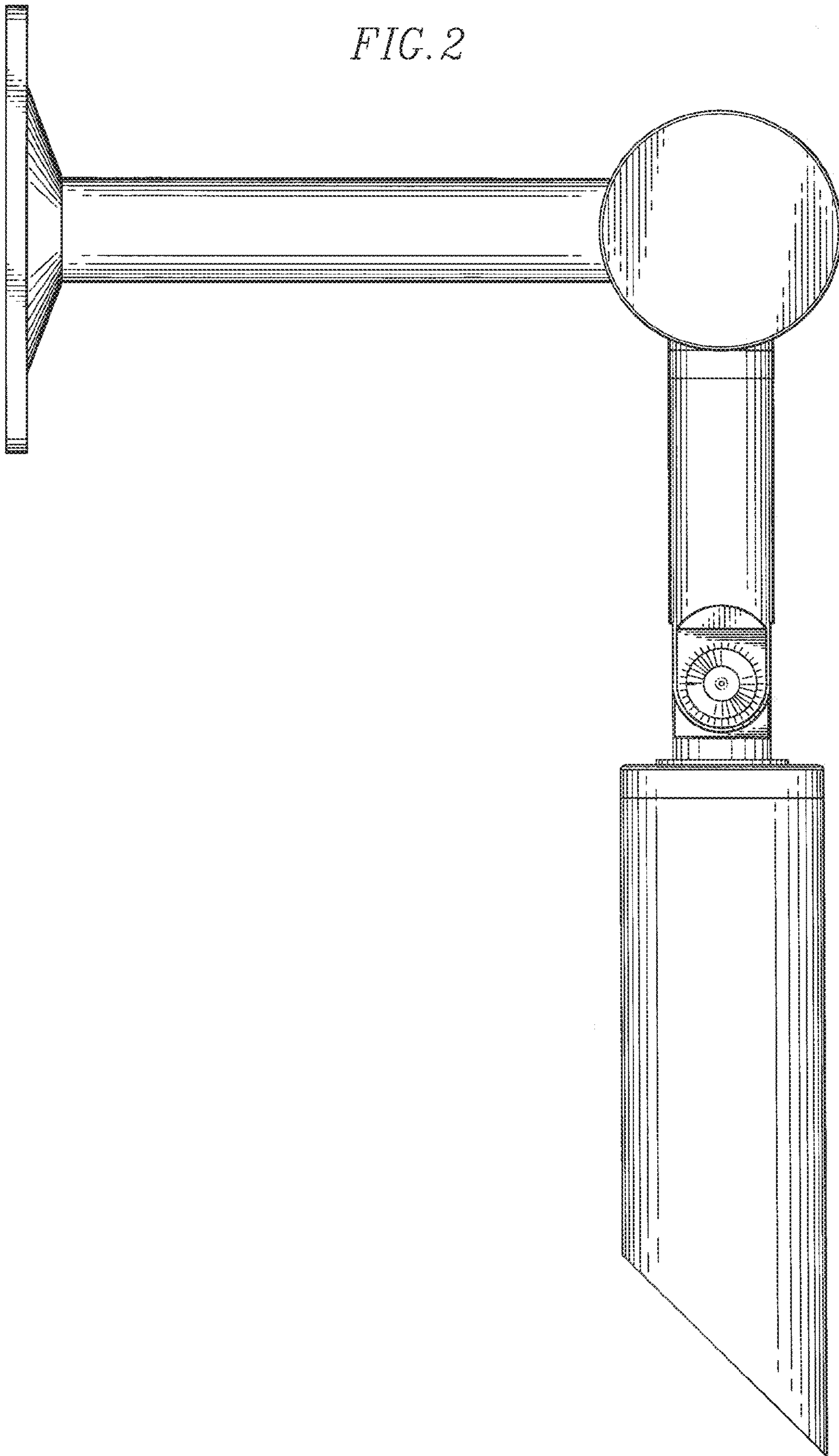


FIG. 3

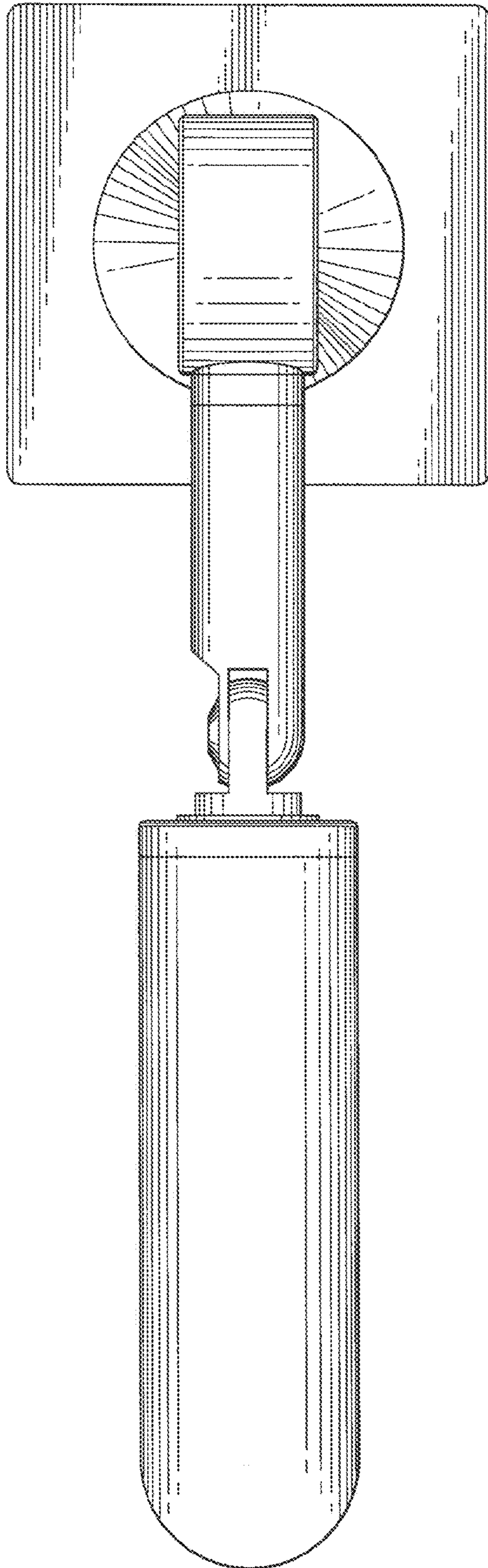


FIG. 4

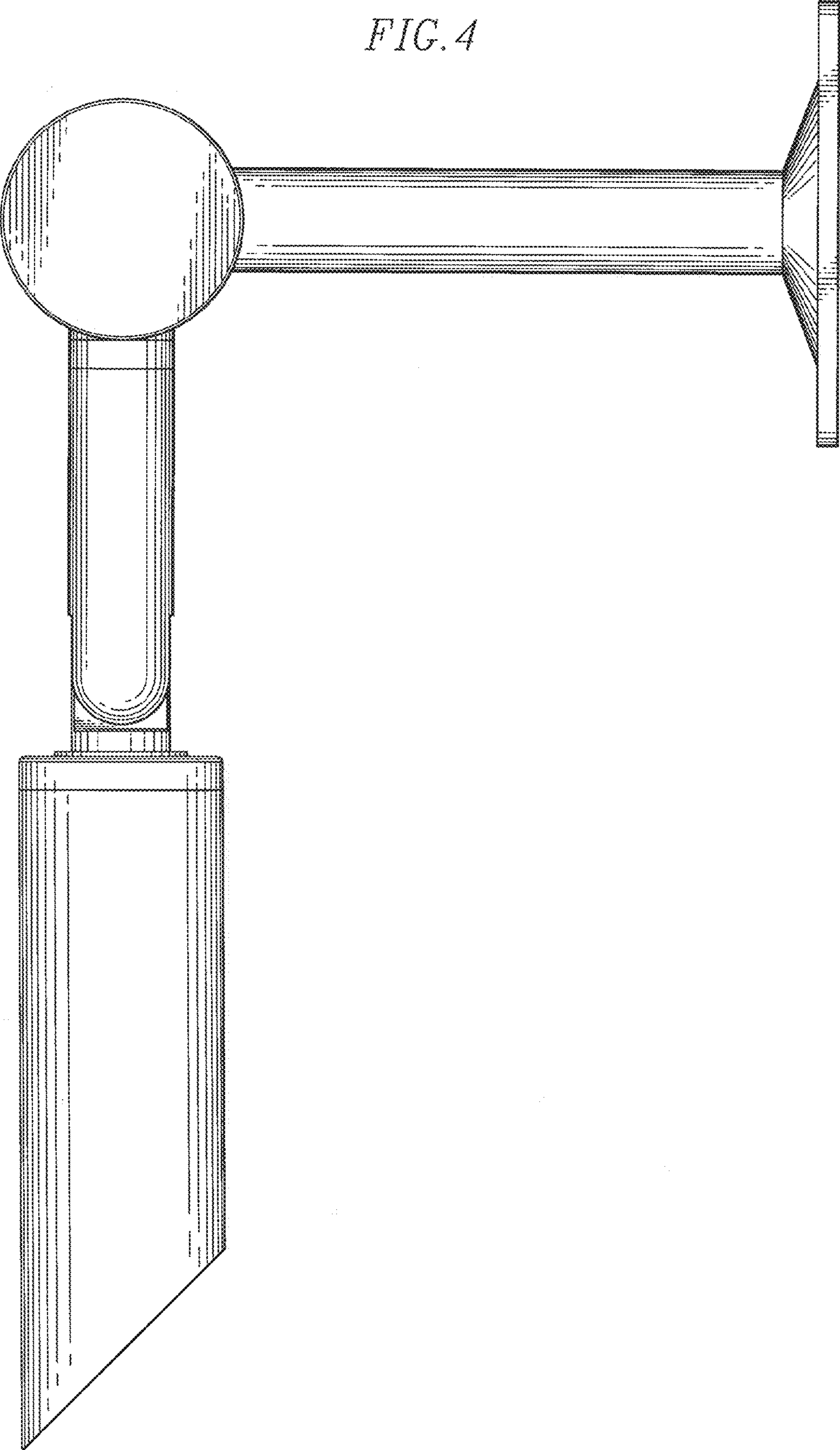


FIG. 5

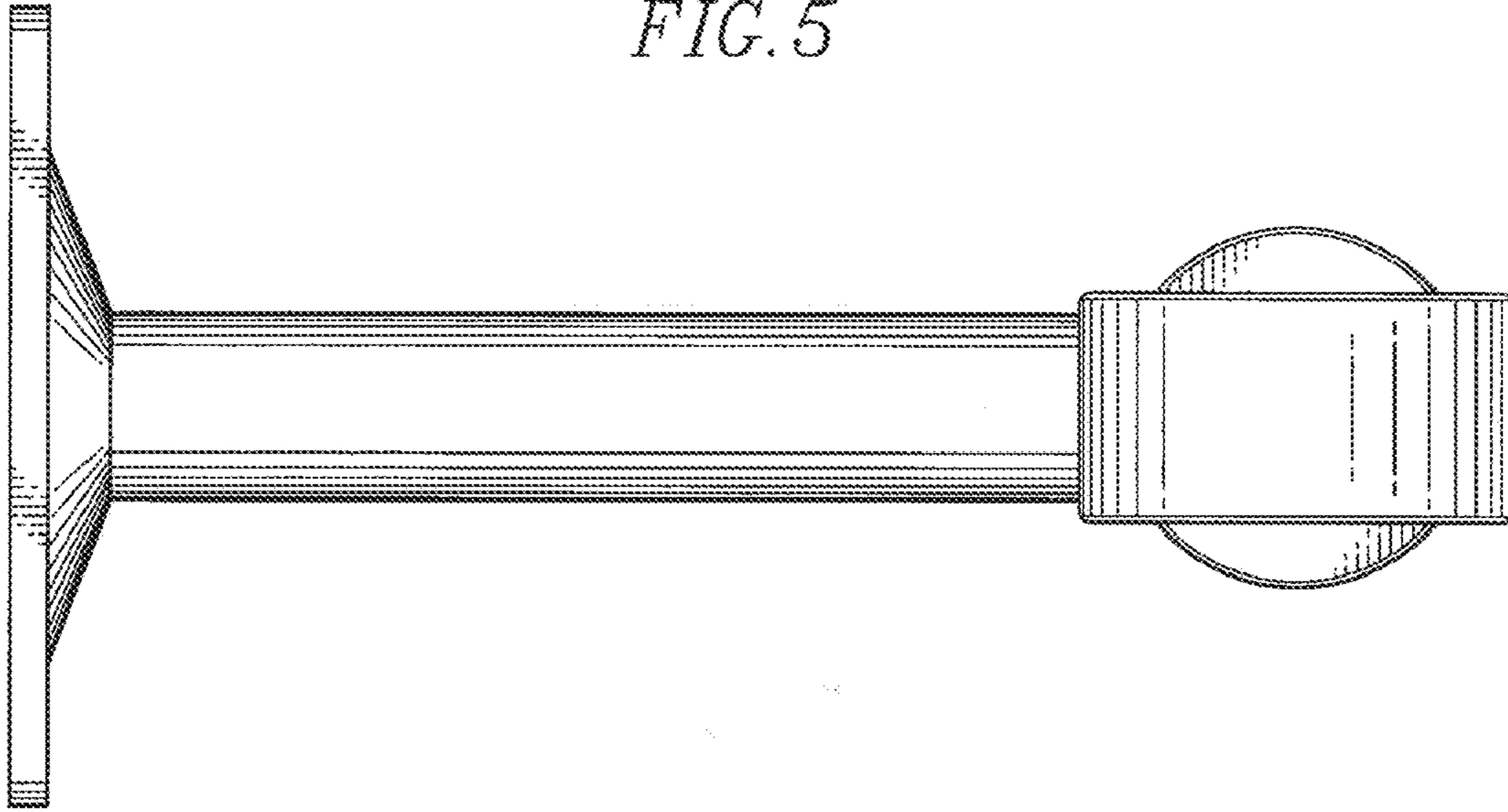


FIG. 6

