



US00D610728S

(12) **United States Design Patent**  
**Baker et al.**

(10) **Patent No.:** **US D610,728 S**  
(45) **Date of Patent:** **\*\* Feb. 23, 2010**

(54) **FLASHLIGHT**

(75) Inventors: **Kathleen Ann Baker**, New Fairfield, CT (US); **Lillian Norton**, Danbury, CT (US); **Stuart Karten**, Venice, CA (US); **Jeffrey Walter Benzler**, Los Angeles, CA (US); **Dennis Lynn Schroeder**, Los Angeles, CA (US)

(73) Assignee: **The Gillette Company**, Boston, MA (US)

(\*\*) Term: **14 Years**

(21) Appl. No.: **29/337,484**

(22) Filed: **May 22, 2009**

(51) **LOC (9) Cl.** ..... **26-02**

(52) **U.S. Cl.** ..... **D26/49**

(58) **Field of Classification Search** ..... D26/37,  
D26/38, 44, 45, 46, 49; 362/157, 158, 159,  
362/184, 194–208

See application file for complete search history.

(56) **References Cited**

U.S. PATENT DOCUMENTS

D448,876 S	10/2001	Osiecki et al.	
D449,395 S *	10/2001	Dalton et al.	D26/49
D450,404 S *	11/2001	Kit	D26/49
D492,807 S *	7/2004	Dalton et al.	D26/49
D494,299 S	8/2004	Dalton et al.	
D504,534 S	4/2005	Osiecki et al.	
D531,337 S *	10/2006	Dalton et al.	D26/49
D544,118 S	6/2007	Osiecki et al.	
D549,377 S	8/2007	Osiecki et al.	
D551,371 S	9/2007	Brown et al.	
D552,776 S	10/2007	Osiecki et al.	
D553,283 S	10/2007	Rugendyke et al.	

D560,297 S	1/2008	Brown et al.	
D562,480 S	2/2008	Spartano et al.	
D562,482 S *	2/2008	Larkin	D26/49
D574,529 S	8/2008	Squires et al.	
D589,635 S	3/2009	Rugendyke et al.	
D595,158 S *	6/2009	Naimi et al.	D10/40

\* cited by examiner

*Primary Examiner*—Ian Simmons

*Assistant Examiner*—Carissa C Fitts

(74) *Attorney, Agent, or Firm*—Kevin C. Johnson; Steven W. Miller

(57) **CLAIM**

The ornamental design for a flashlight, as shown and described.

**DESCRIPTION**

FIG. 1 is a perspective view as seen from the front side of a flashlight in accordance with the present design;

FIG. 2 is a top view of a flashlight in accordance with the present design;

FIG. 3 is a bottom view of a flashlight in accordance with the present design;

FIG. 4 is a right side view of a flashlight in accordance with the present design;

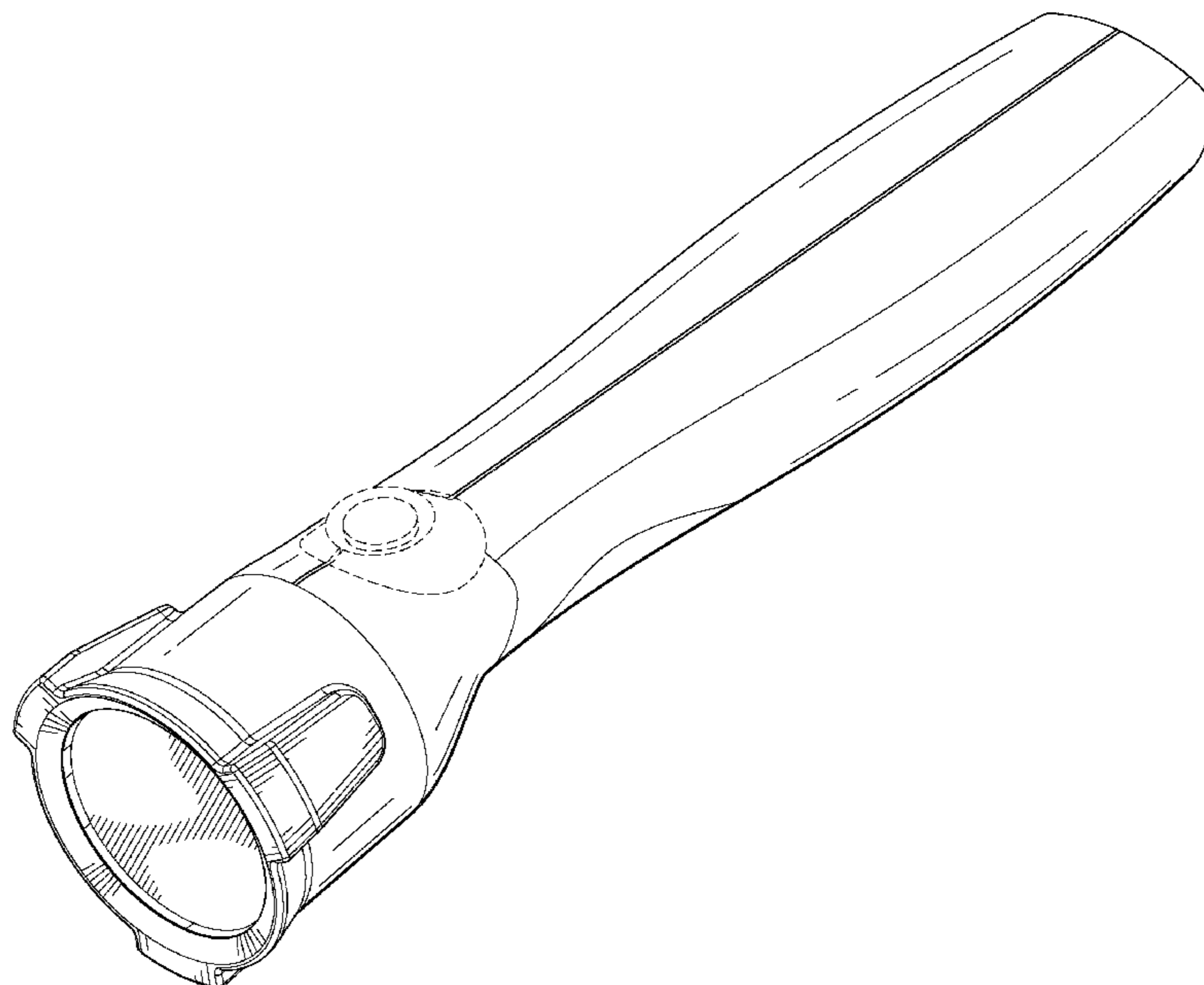
FIG. 5 is a left side view of a flashlight in accordance with the present design;

FIG. 6 is a front view of a flashlight in accordance with the present design; and,

FIG. 7 is a back view of a flashlight in accordance with the present design.

The broken lines are shown for illustrative purposes only and form no part of the claimed design.

**1 Claim, 4 Drawing Sheets**



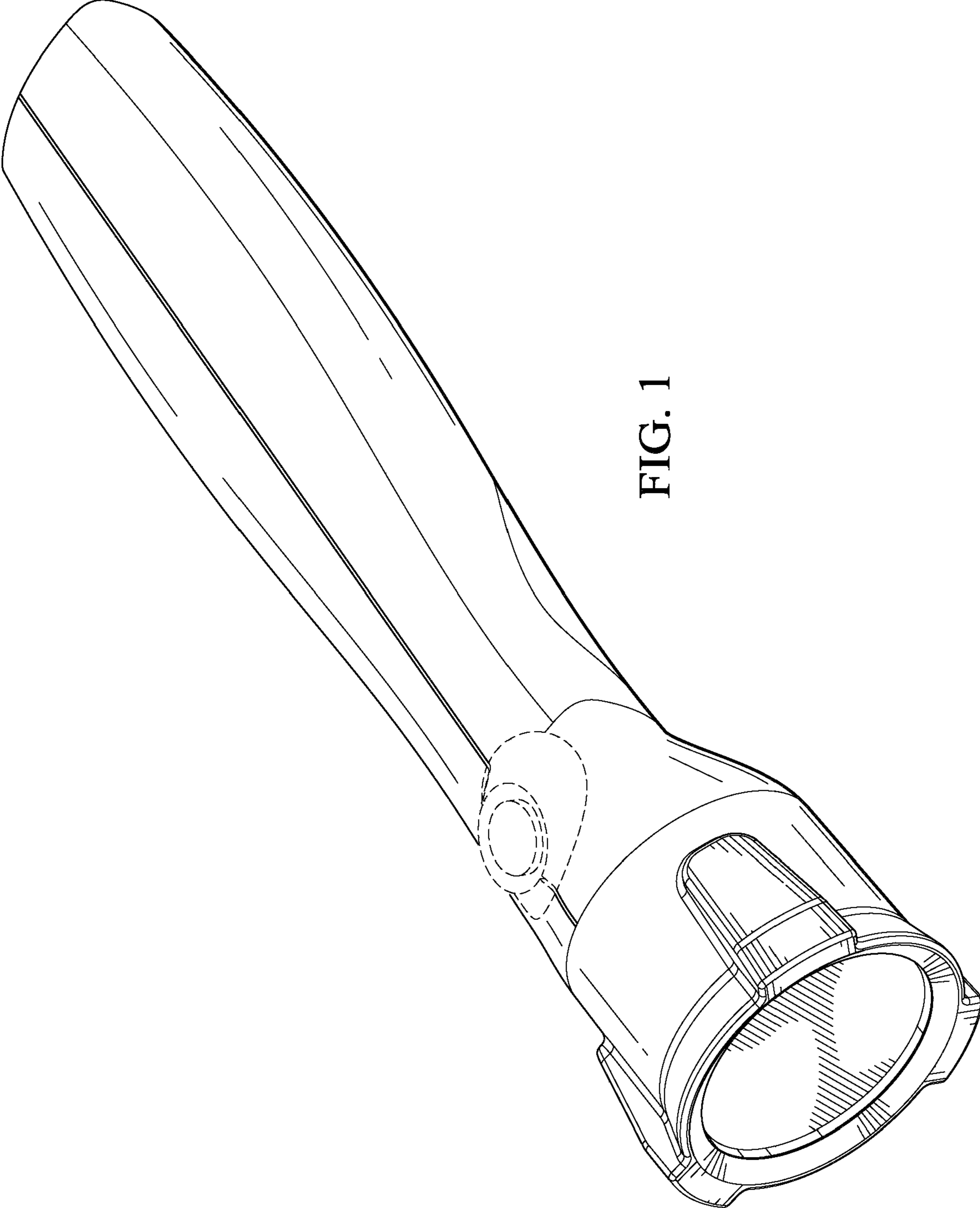


FIG. 1

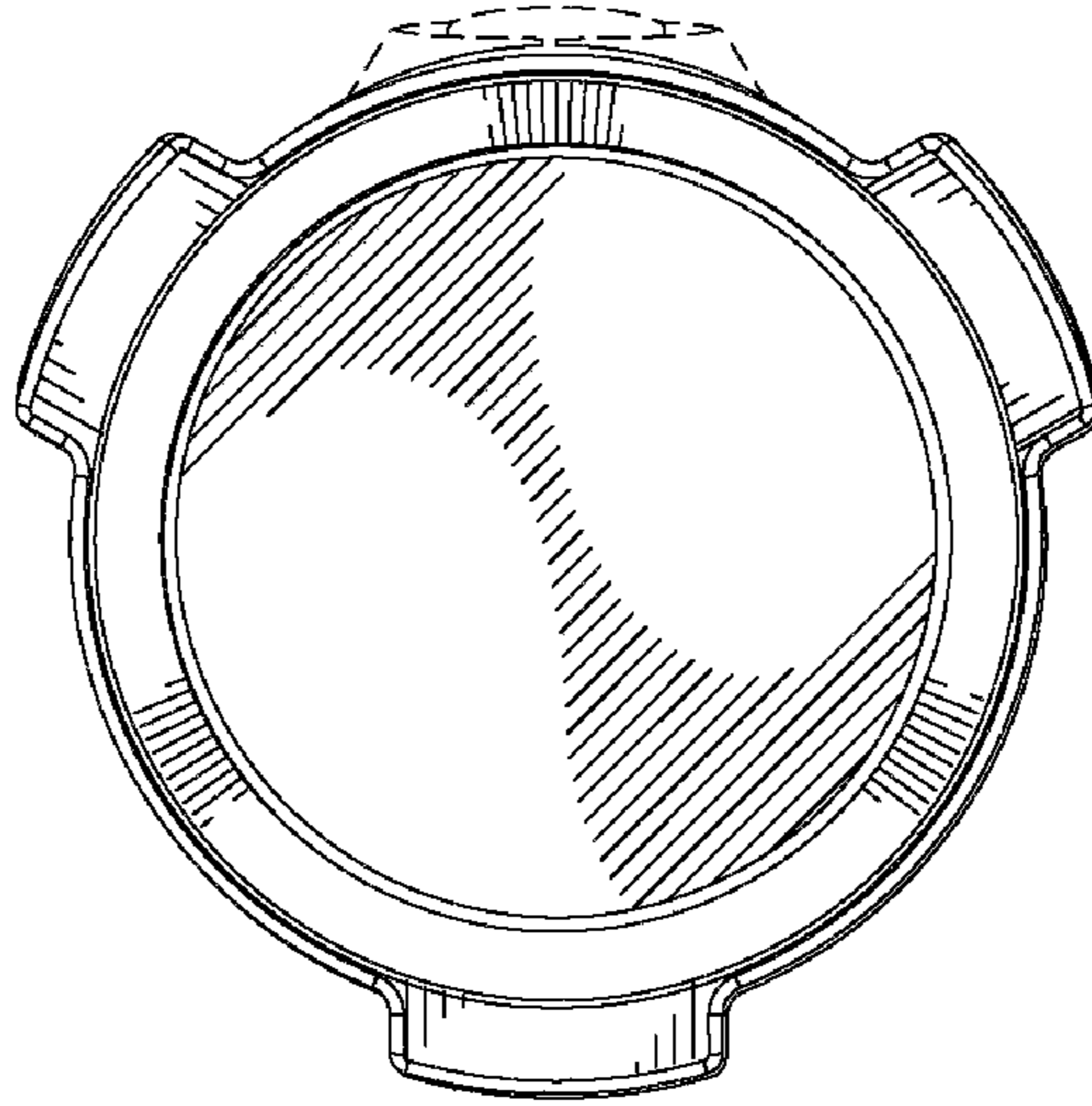


FIG. 2

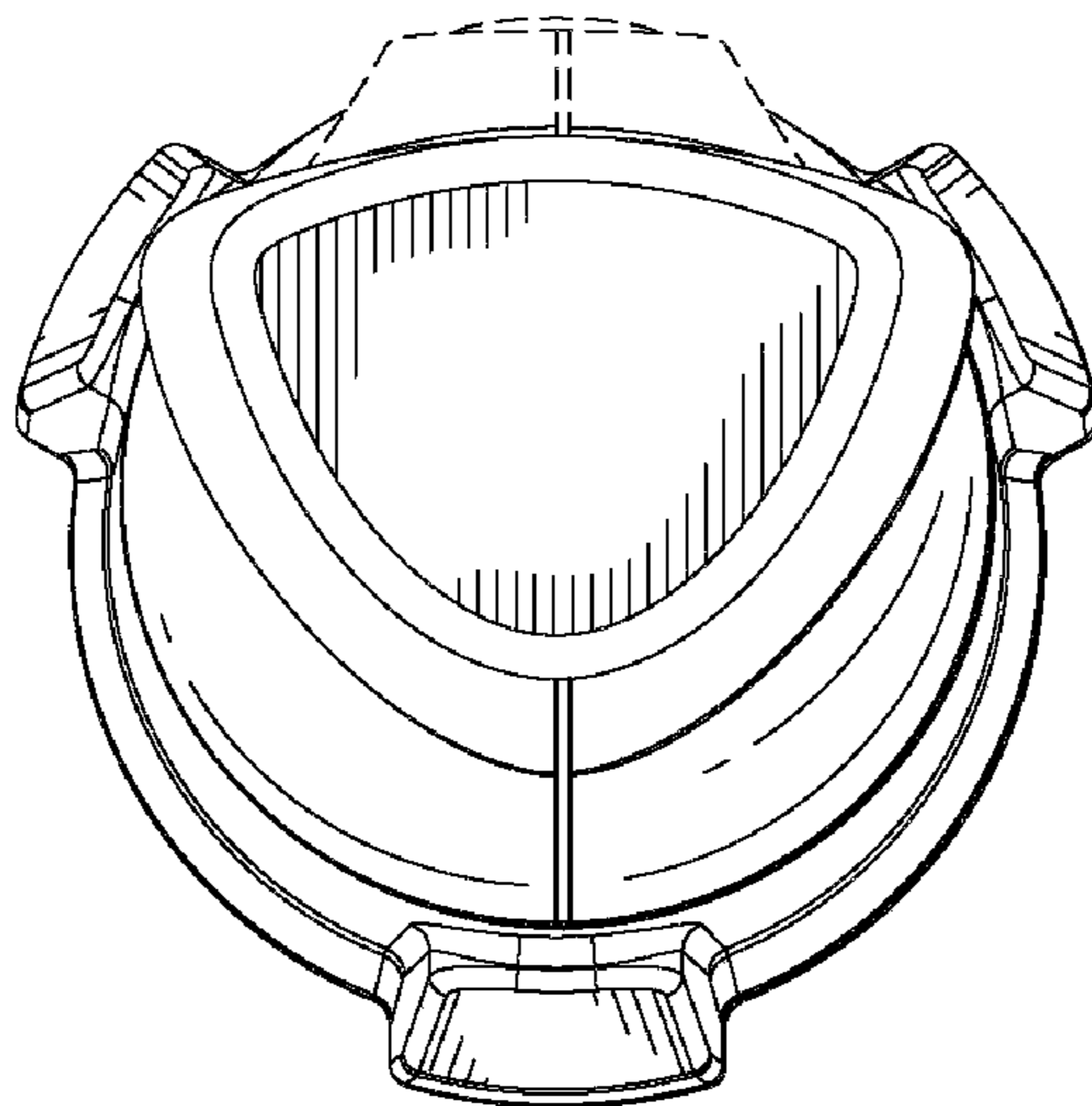


FIG. 3

FIG. 4



FIG. 5



FIG. 6

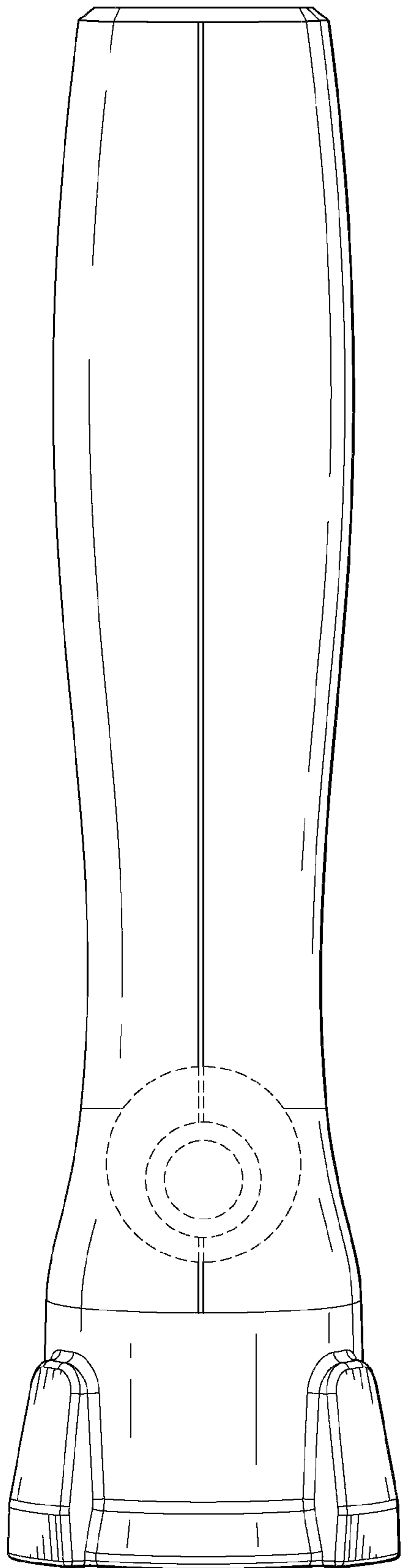


FIG. 7

