



US00D610725S

(12) **United States Design Patent**
Georgitsis et al.

(10) **Patent No.:** **US D610,725 S**

(45) **Date of Patent:** **** Feb. 23, 2010**

(54) **VEHICLE LIGHTING SYSTEM**

D585,575 S * 1/2009 Crispin et al. D26/28

(75) Inventors: **Anthony C. Georgitsis**, Edgewood, WA (US); **Joseph Biro**, Scottsdale, AZ (US); **Nicholas B. Irwin**, Auburn, WA (US)

* cited by examiner

Primary Examiner—Marcus A Jackson

(74) *Attorney, Agent, or Firm*—Mark J. Nahnsen

(73) Assignee: **Vision Motor Sports**, Scottsdale, AZ (US)

(57) **CLAIM**

The ornamental design for a vehicle lighting system, as shown and described.

(**) Term: **14 Years**

(21) Appl. No.: **29/340,638**

DESCRIPTION

(22) Filed: **Jul. 22, 2009**

(51) **LOC (9) Cl.** **26-06**

(52) **U.S. Cl.** **D26/28**

(58) **Field of Classification Search** D26/28–36;
362/459–468, 475–478, 485–487
See application file for complete search history.

FIG. 1 is an isometric view of a vehicle lighting system;
FIG. 2 is a front plan view of the vehicle lighting system;
FIG. 3 is a top view of the vehicle lighting system;
FIG. 4 is a left side plan view of the vehicle lighting system;
FIG. 5 is a right side plan view of the vehicle lighting system;
FIG. 6 is a bottom view of the vehicle lighting system; and,
FIG. 7 is a back plan view of the vehicle lighting system.

The broken lines shown in the drawings are for purposes of illustrating the environment for the vehicle lighting system and form no part of the claimed design.

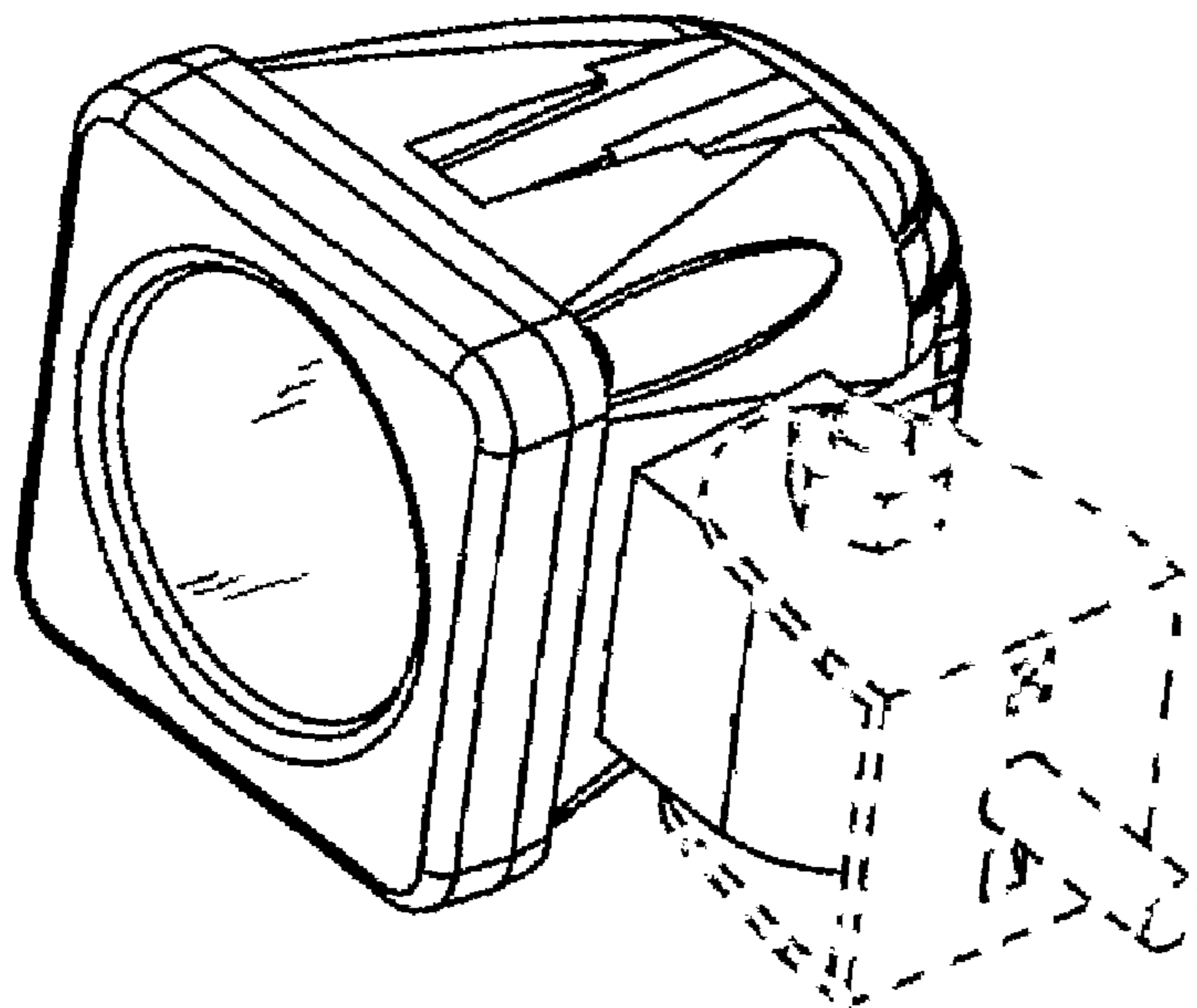
(56) **References Cited**

U.S. PATENT DOCUMENTS

D570,009 S * 5/2008 Kani et al. D26/28

D574,978 S * 8/2008 Hyodo et al. D26/28

1 Claim, 3 Drawing Sheets



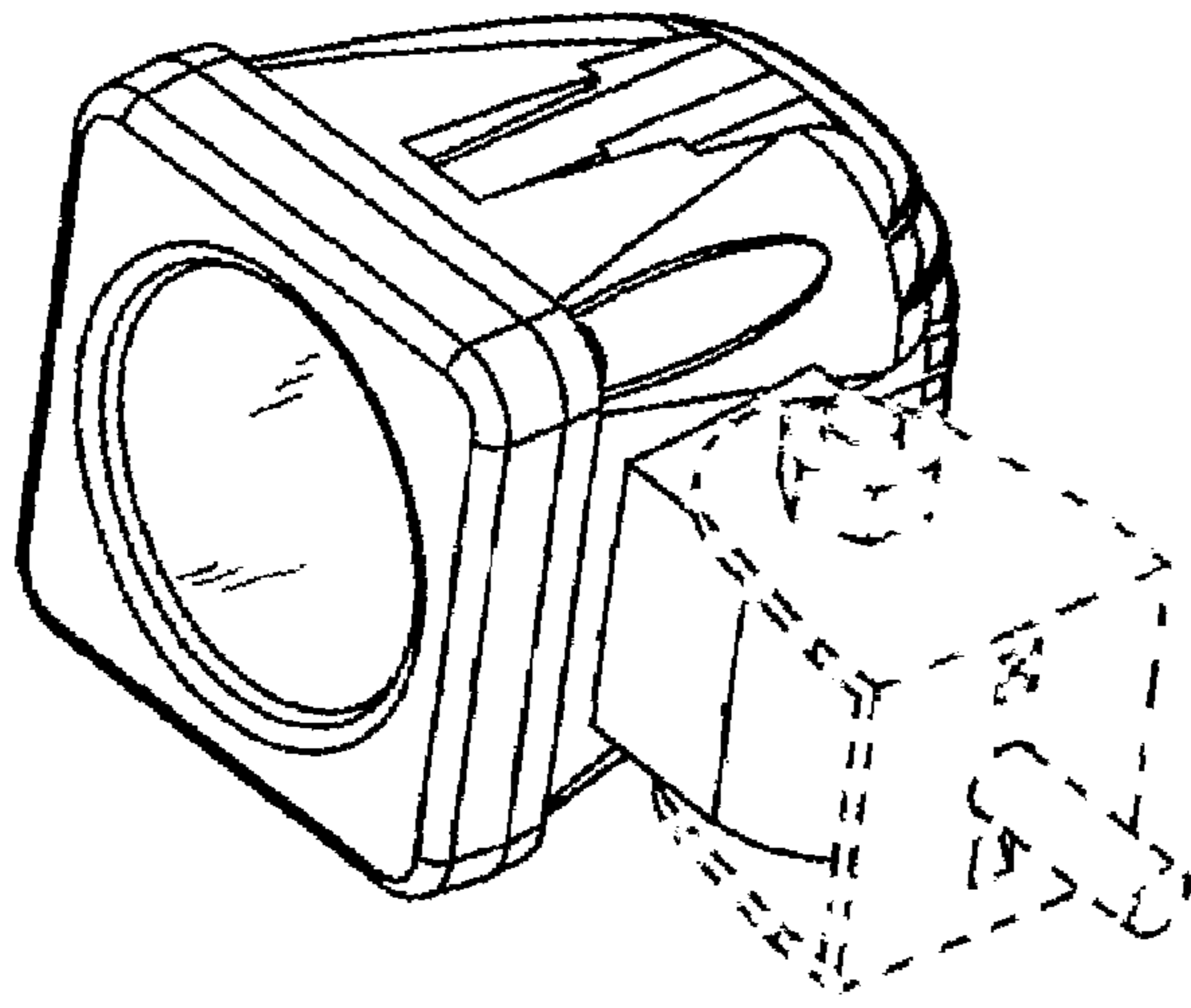


Fig. 1

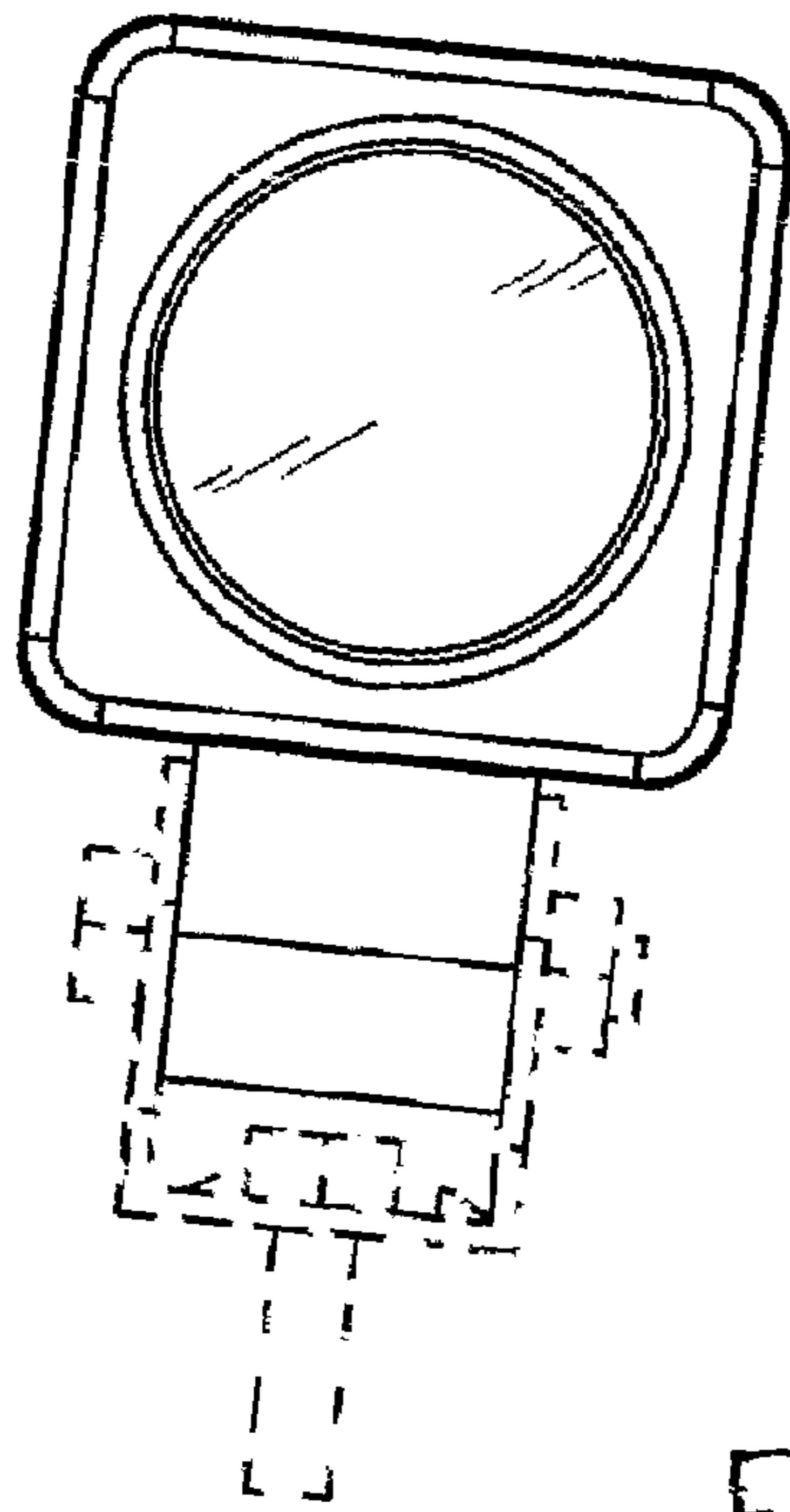


Fig. 2

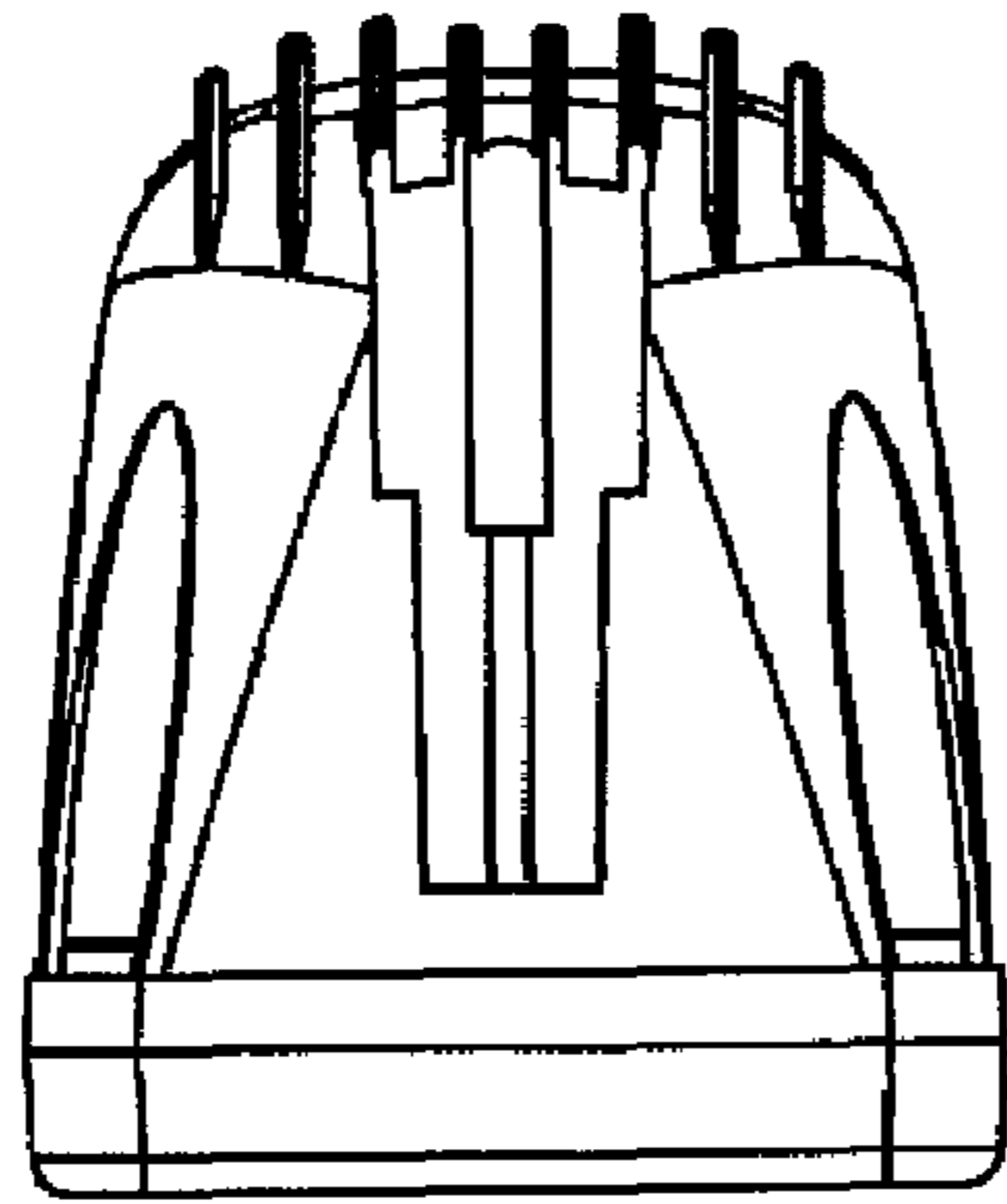


Fig. 3

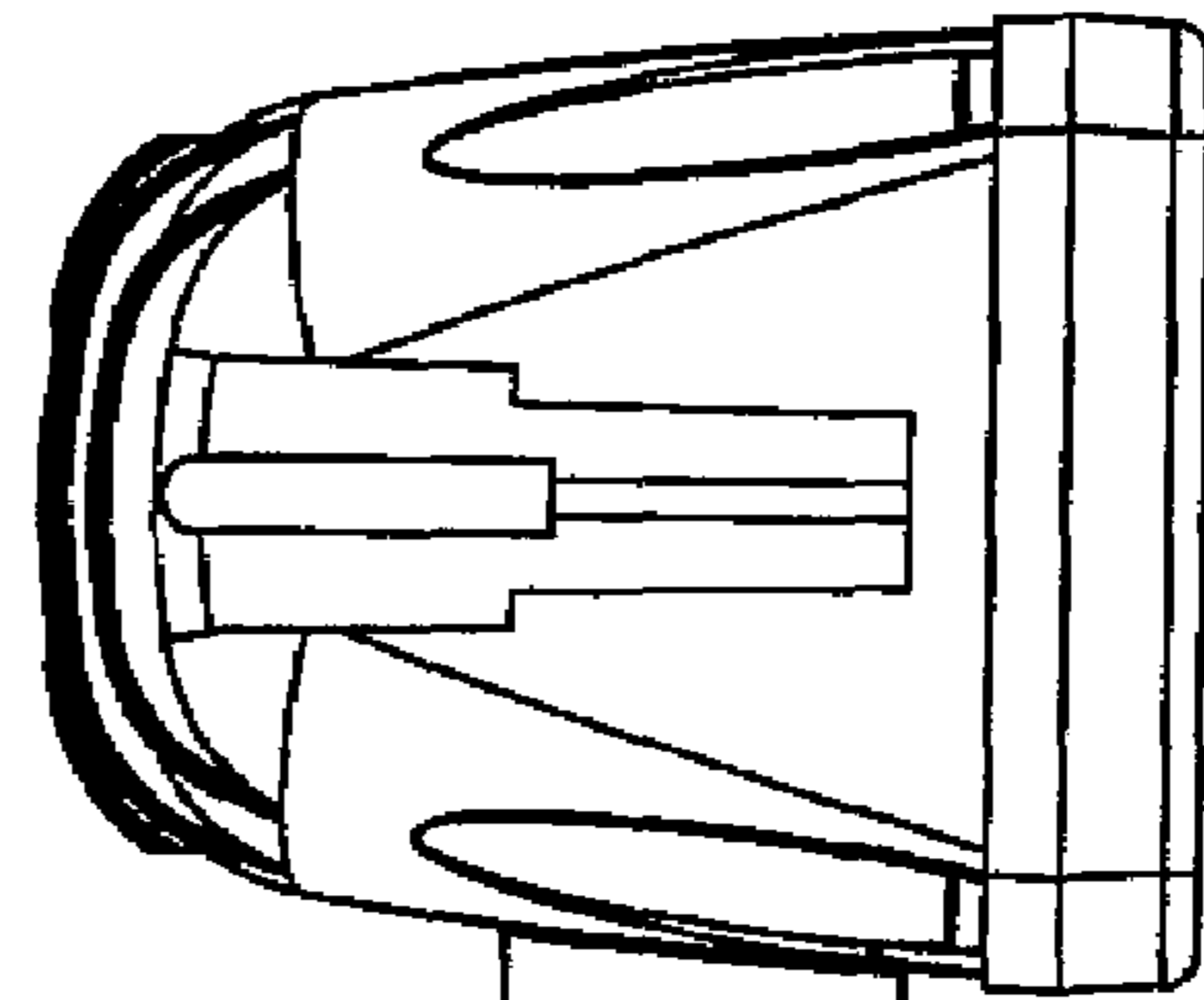


Fig. 4

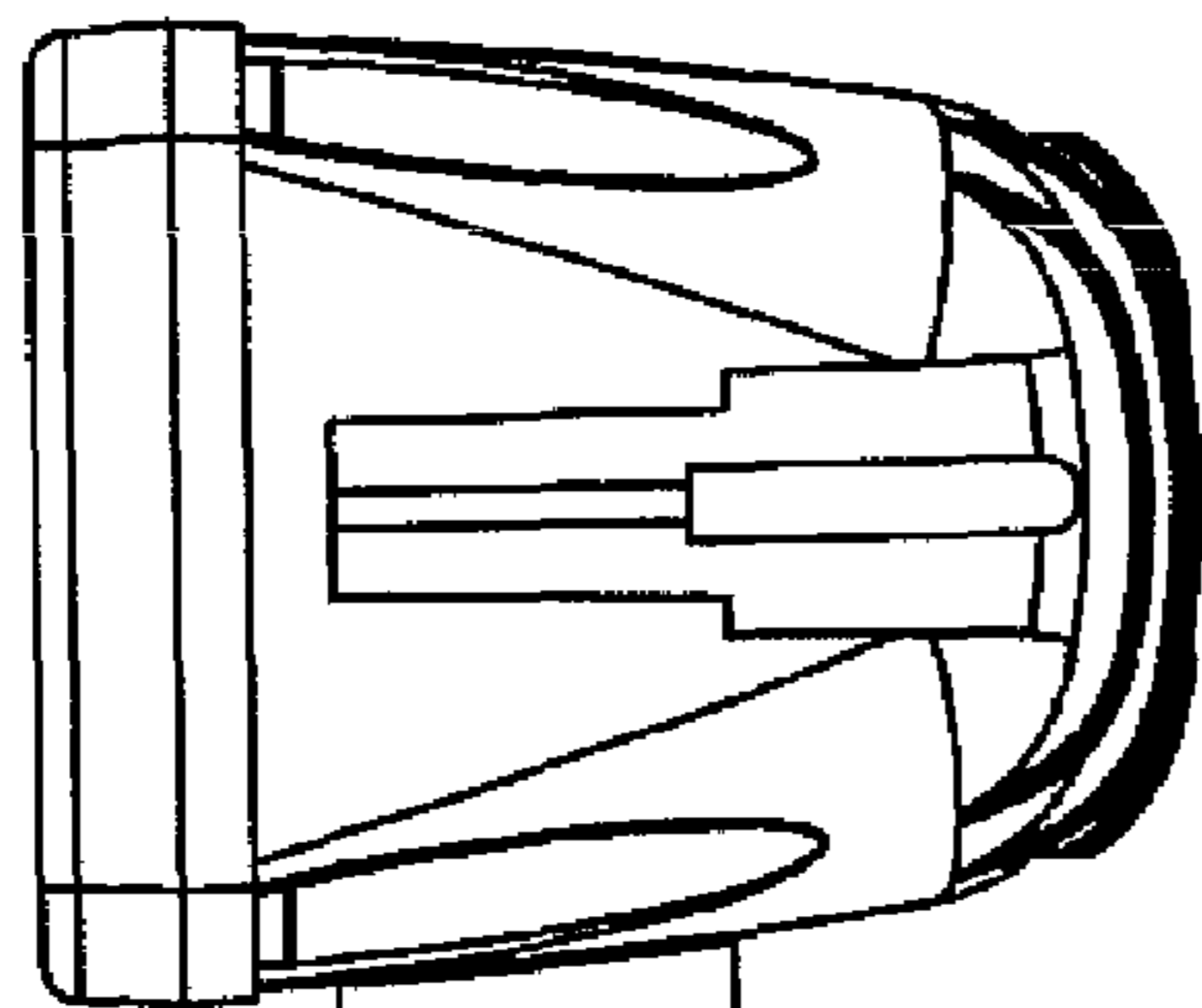


Fig. 5



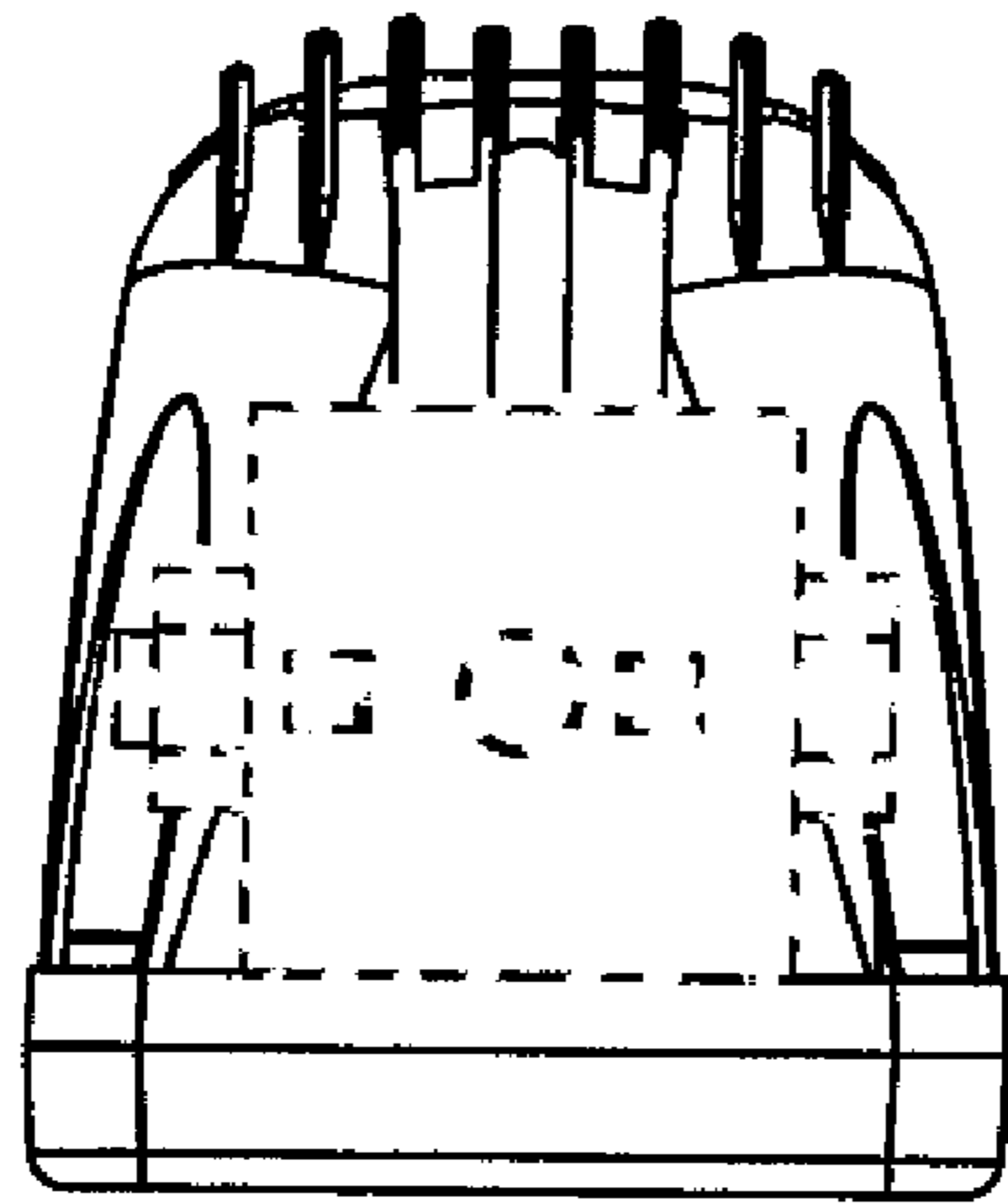


Fig. 6

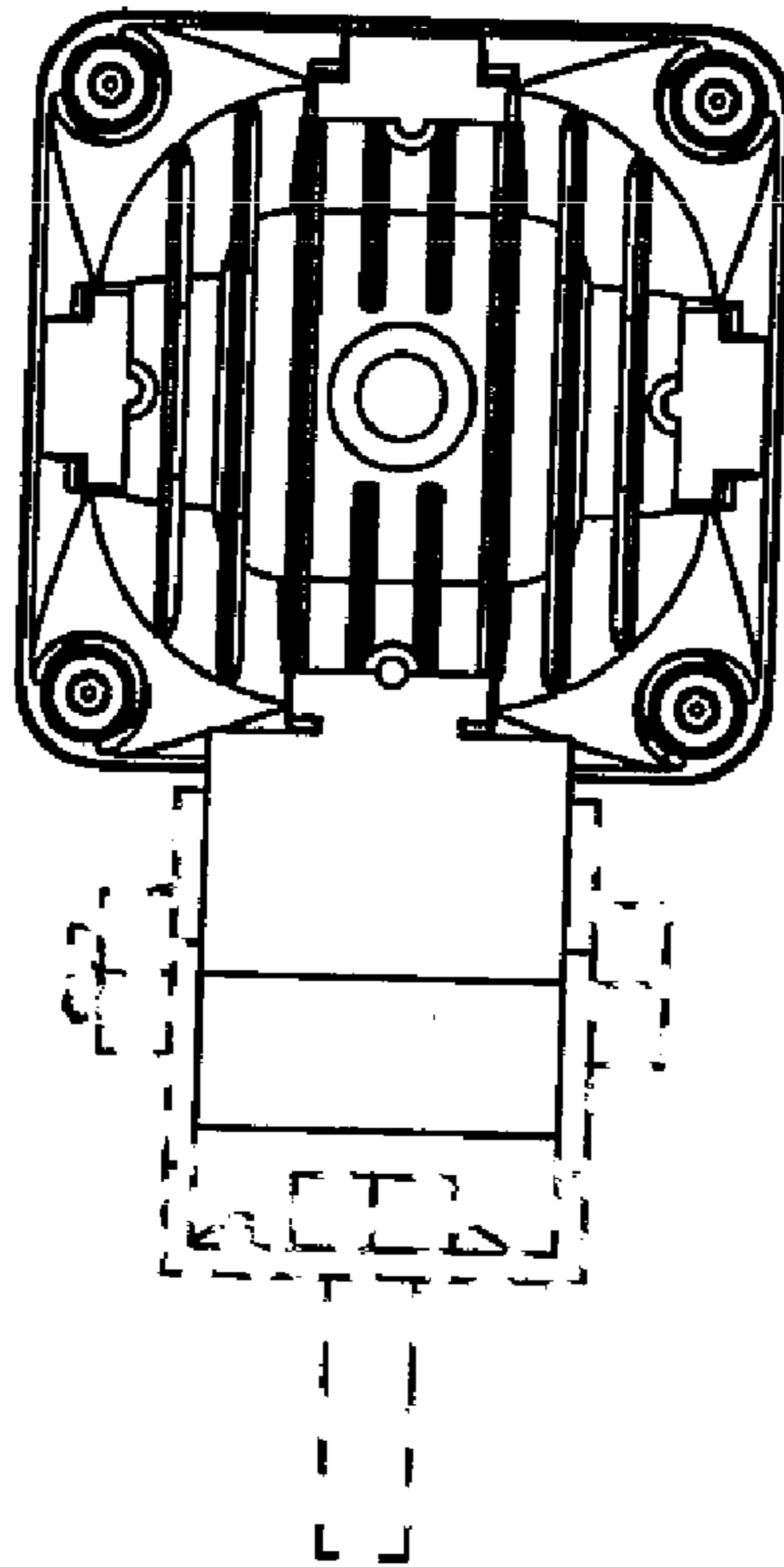


Fig. 7