



US00D610717S

(12) **United States Design Patent**  
**Lin**

(10) **Patent No.:** **US D610,717 S**

(45) **Date of Patent:** **\*\* \*Feb. 23, 2010**

(54) **POST BASE WITH DOMES**

EP 1 162 324 A1 12/2001

(75) Inventor: **Jin-Jie Lin**, Livermore, CA (US)

(73) Assignee: **Simpson Strong-Tie Company, Inc.**,  
Pleasanton, CA (US)

(\*\*) Term: **14 Years**

(21) Appl. No.: **29/325,250**

(22) Filed: **Sep. 27, 2008**

(51) **LOC (9) Cl.** ..... **25-01**

(52) **U.S. Cl.** ..... **D25/133**

(58) **Field of Classification Search** ..... D25/133;  
256/65.14; 248/519

See application file for complete search history.

(56) **References Cited**

**U.S. PATENT DOCUMENTS**

4,572,695	A	2/1986	Gilb	
4,588,157	A	5/1986	Mills	
4,860,940	A	8/1989	Mills	
5,150,982	A	9/1992	Gilb	
5,203,817	A *	4/1993	Klumpjan	52/298
5,364,076	A *	11/1994	Nicholls	256/22
5,848,502	A *	12/1998	Schaefer	52/165
6,092,342	A *	7/2000	Sharapata	52/298
D440,326	S *	4/2001	Kohlberger et al.	D25/133
6,336,620	B1 *	1/2002	Belli	248/519
D513,536	S *	1/2006	Walker	D25/133
2005/0098772	A1 *	5/2005	Fuoco	256/65.14

**FOREIGN PATENT DOCUMENTS**

EP 0 593 753 B1 10/1996

**OTHER PUBLICATIONS**

E-Z Fence Post Products, Brochure, 2007, 2 pages, Simpson Strong-Tie Co., Inc., USA.

Duraspikes, Brochure, 1995, 2 pages, Larsson Industries, Canada.

Construction Hardware, Catalog, 1991, cover page and p. 38, Southeastern Metals Manufacturing Co., Inc., USA.

Silver, Your Connection for Deck Connectors, Brochure, 1991, 4 pages, Silver Metal Products, USA.

KC Metals Superspeed Connectors, Catalog, 1993, cover page and p. 59, KC Metal Products, Inc., USA.

KC Metals Superspeed Connectors, Catalog, 1997, cover page and p. 59, KC Metal Products, Inc., USA.

\* cited by examiner

*Primary Examiner*—Doris Clark

(74) *Attorney, Agent, or Firm*—James R. Cypher; Charles R. Cypher

(57) **CLAIM**

The ornamental design for the post base with domes, as shown and described.

**DESCRIPTION**

FIG. 1 is a perspective view of the post base with domes showing my design.

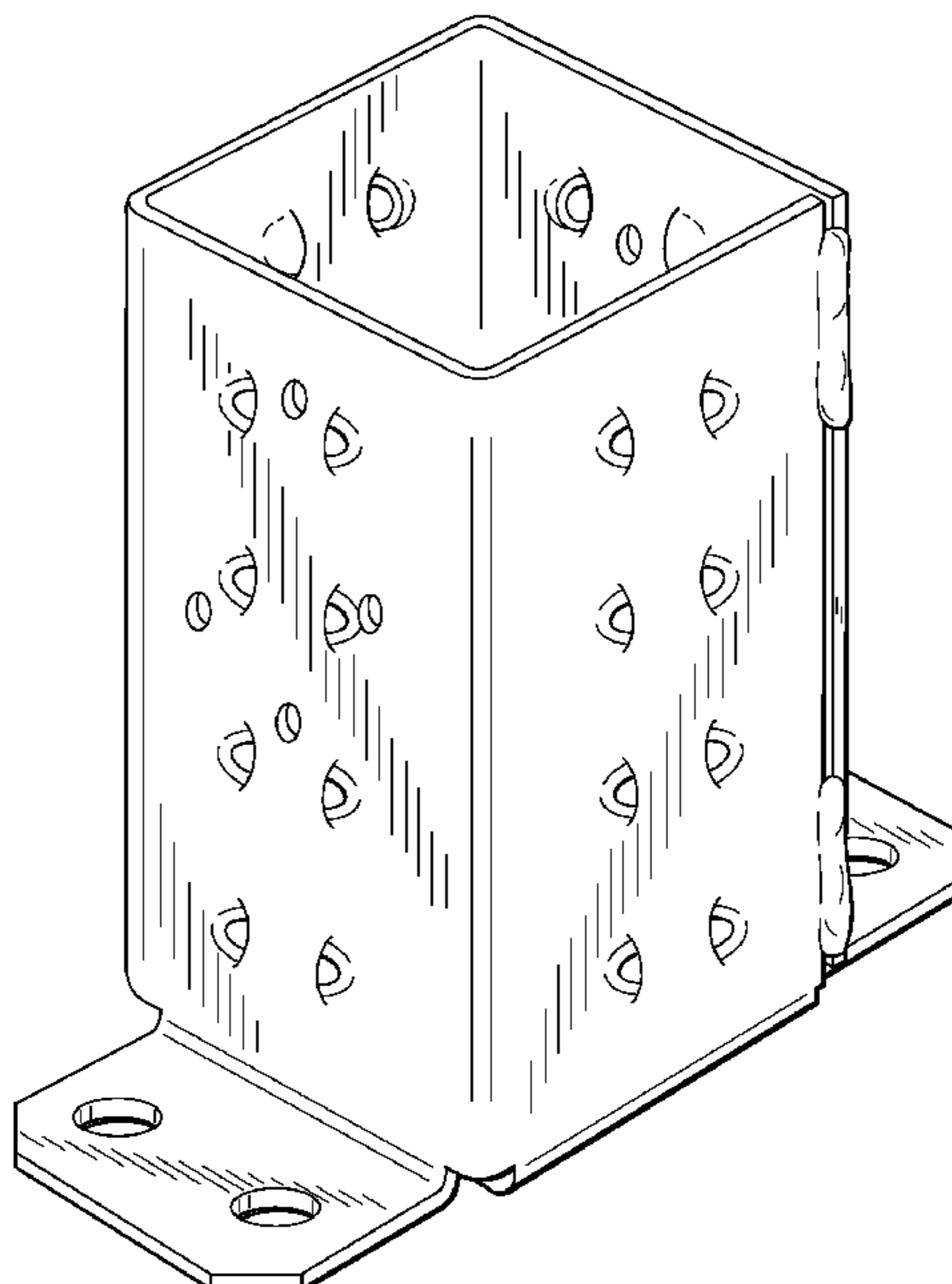
FIG. 2 is a front elevation view of the post base with domes showing my design.

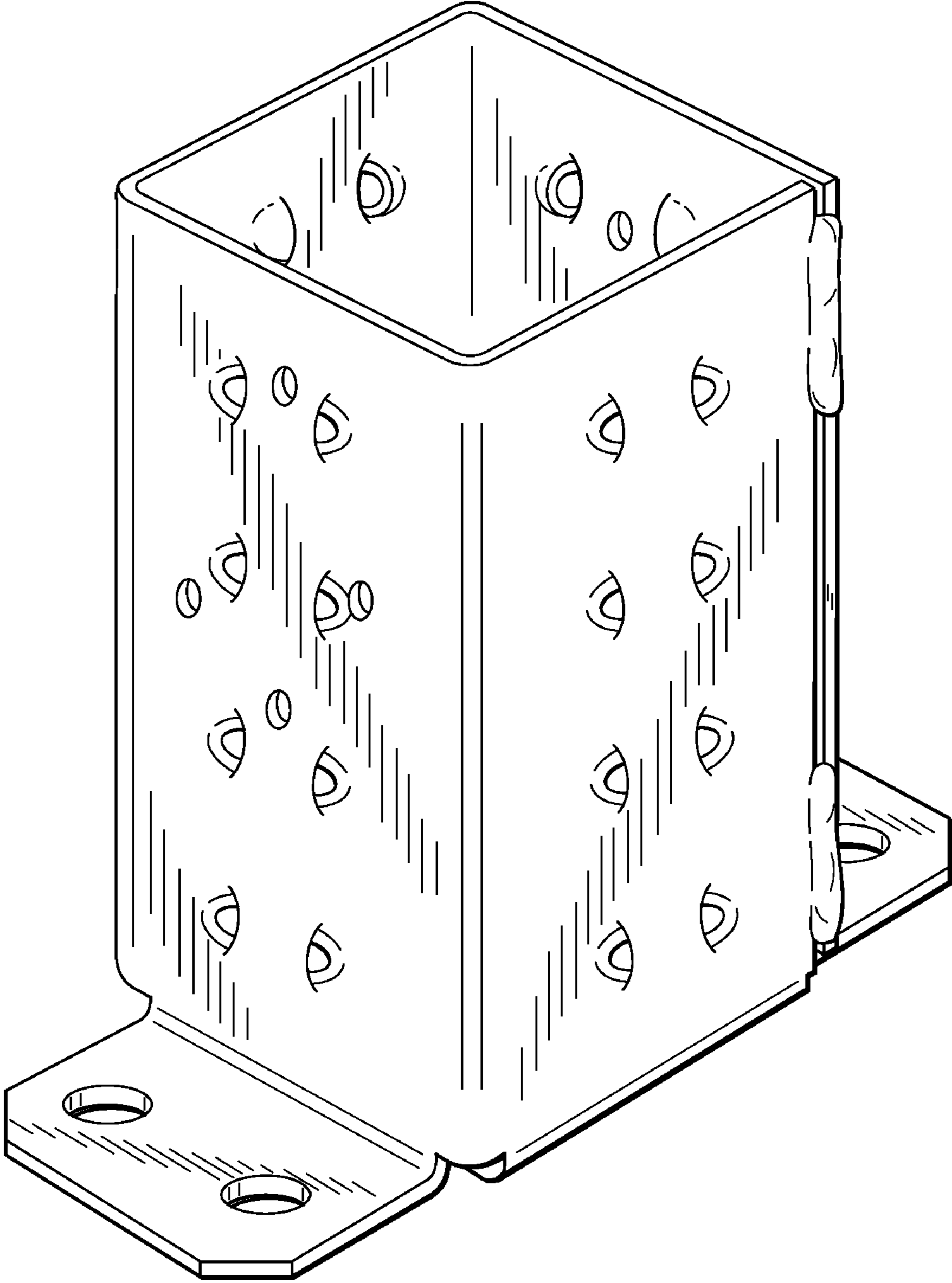
FIG. 3 is a left side elevation view of the post base with domes showing my design.

FIG. 4 is a right side elevation view of the post base with domes showing my design; and,

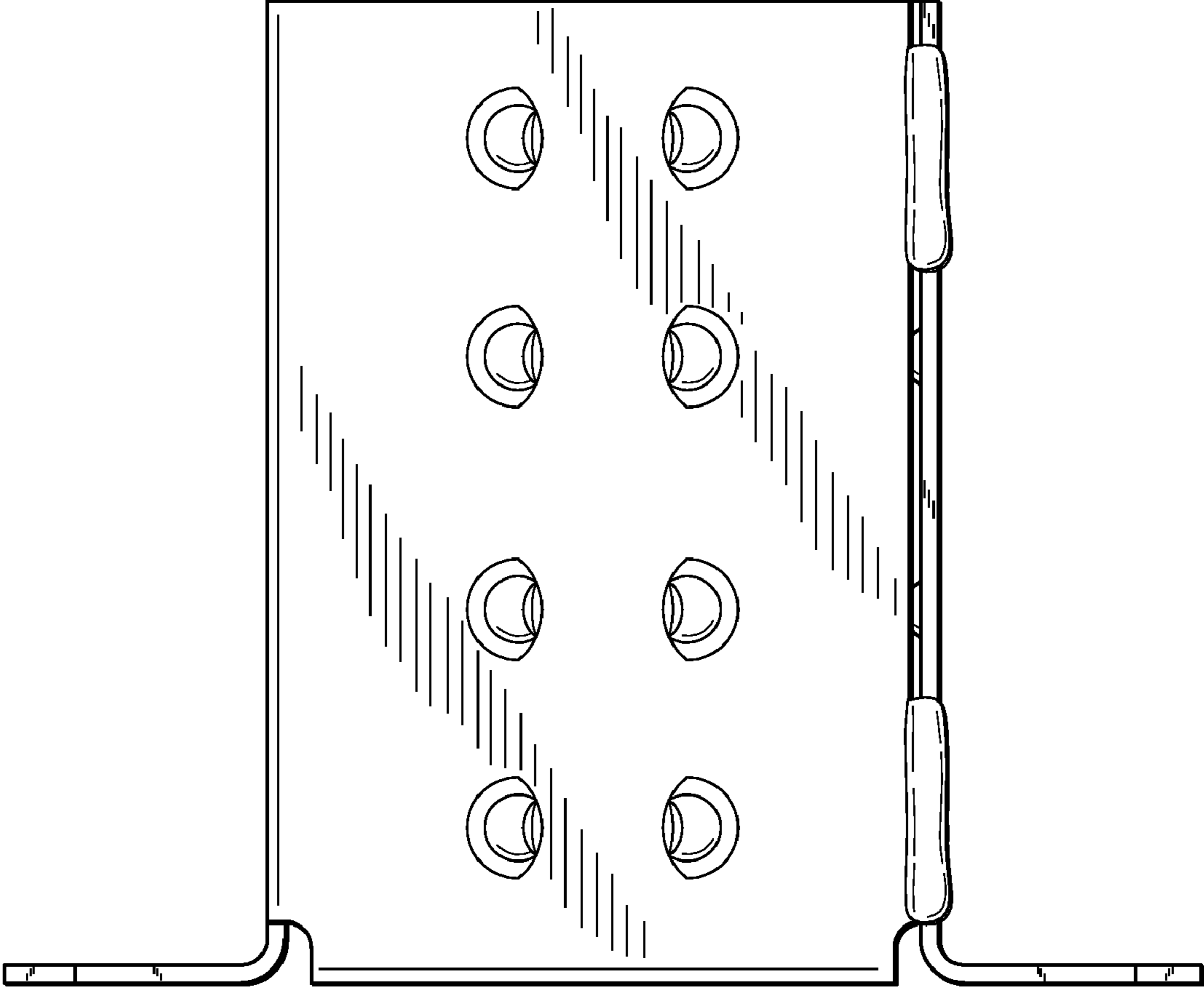
FIG. 5 is a top plan view of the post base with domes showing my design.

**1 Claim, 5 Drawing Sheets**

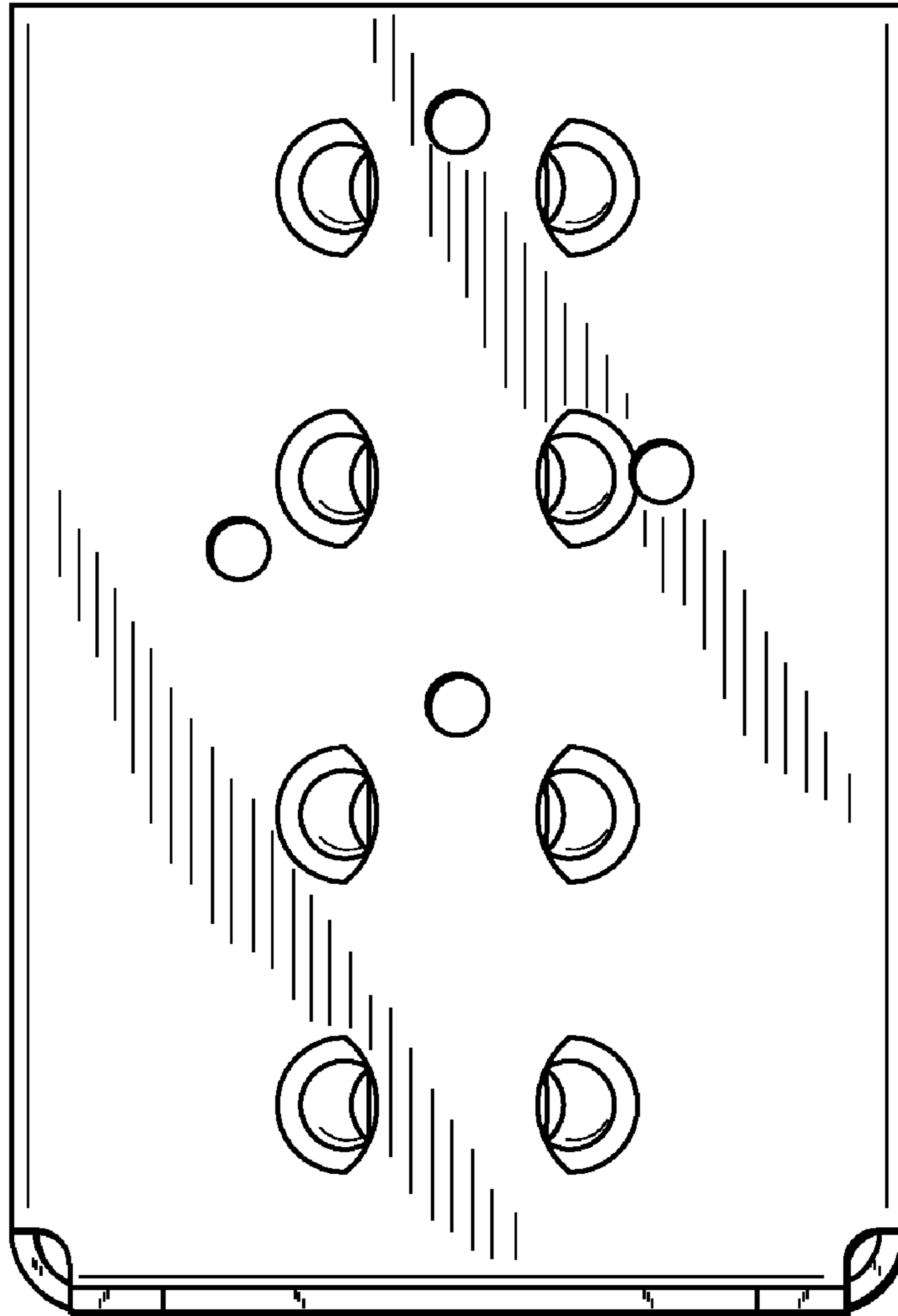




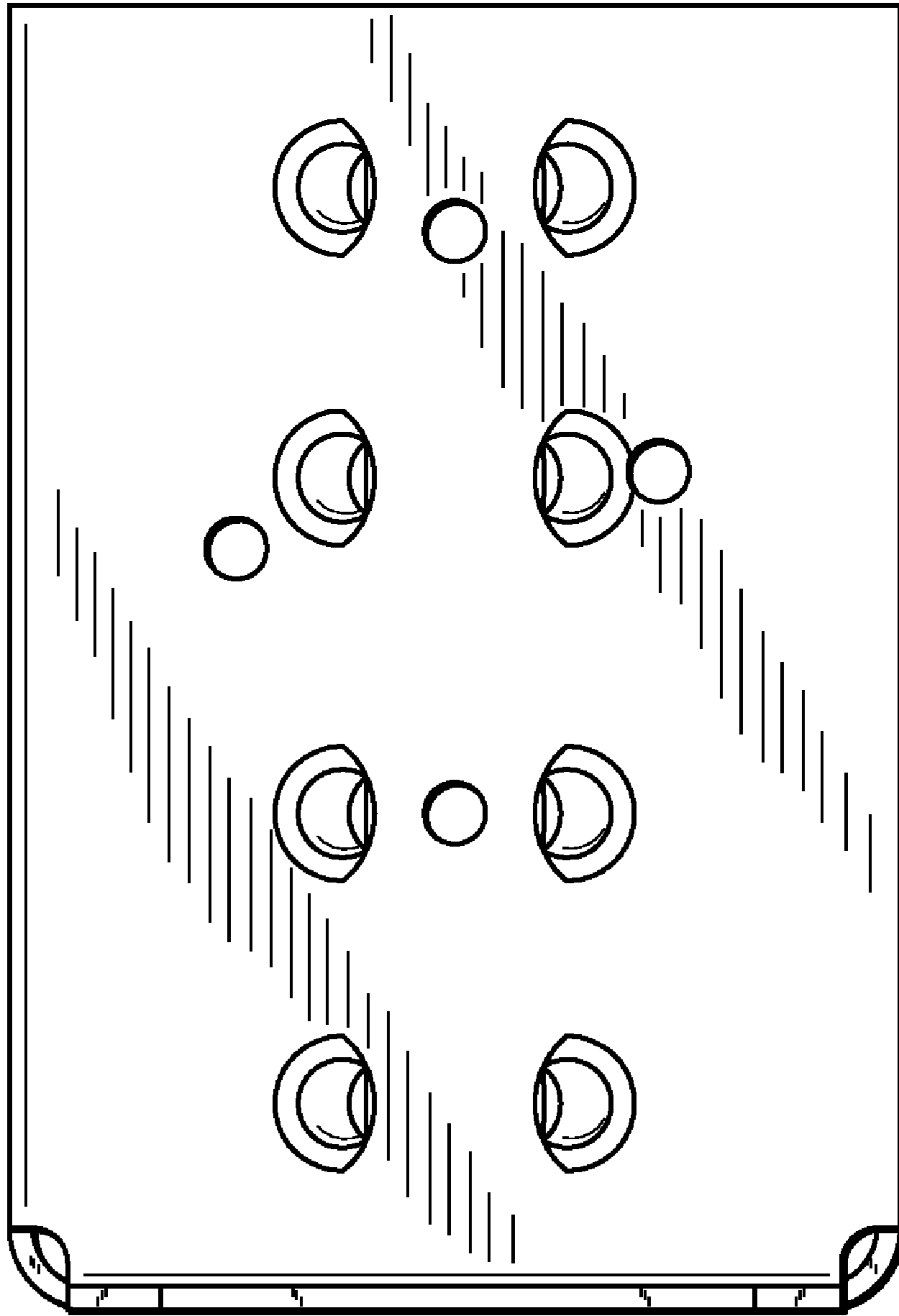
**FIG. 1**



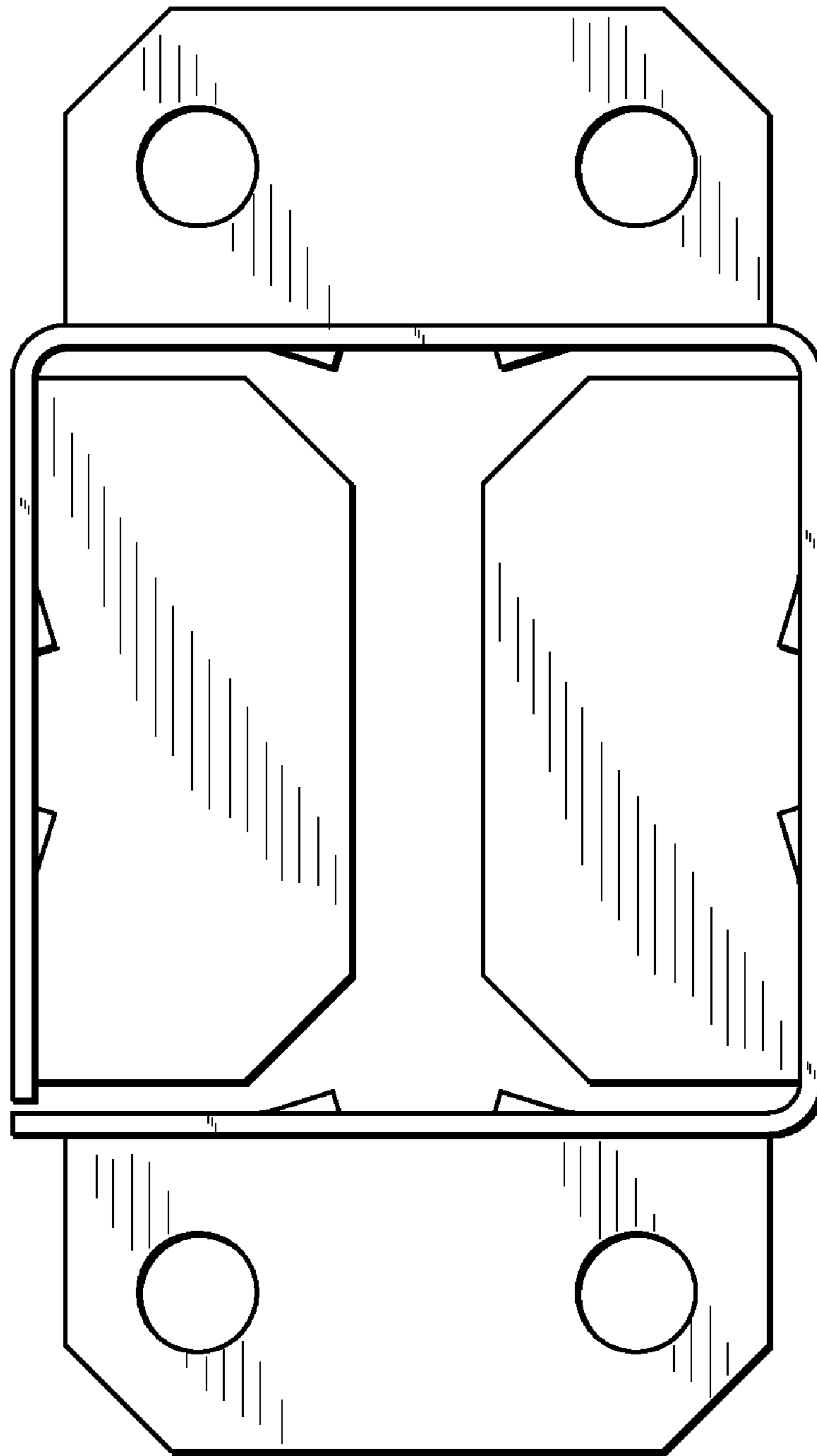
**FIG. 2**



**FIG.\_3**



**FIG. 4**



***FIG.\_5***