



US00D610715S

(12) **United States Design Patent**
Koehn

(10) **Patent No.:** **US D610,715 S**

(45) **Date of Patent:** **** Feb. 23, 2010**

(54) **EXTRUSION**

D374,488 S * 10/1996 Wang D25/124
6,758,014 B2 * 7/2004 Chen 52/63

(76) Inventor: **Ekkehard Koehn**, 13 Hinkler Court,
Brendale, Queensland 4500 (AU)

* cited by examiner

(**) Term: **14 Years**

Primary Examiner—Doris Clark

(21) Appl. No.: **29/292,602**

(74) *Attorney, Agent, or Firm*—Abelman, Frayne & Schwab

(22) Filed: **Oct. 17, 2007**

(57) **CLAIM**

(51) **LOC (9) Cl.** **25-01**

I claim the ornamental design for an extrusion, as shown and described.

(52) **U.S. Cl.** **D25/124**

(58) **Field of Classification Search** D25/124,
D25/122; 160/19, 38, 371, 377, 31, 368.1,
160/45, 83.1, 22; 135/121; 52/63
See application file for complete search history.

DESCRIPTION

FIG. 1 is a top, front, right side perspective view of the extrusion of my new design,

(56) **References Cited**

FIG. 2 is a top, front, left side perspective view thereof; and,

FIG. 3 is a bottom, rear, left side perspective view thereof.

U.S. PATENT DOCUMENTS

4,817,655 A * 4/1989 Brooks 135/121

1 Claim, 3 Drawing Sheets

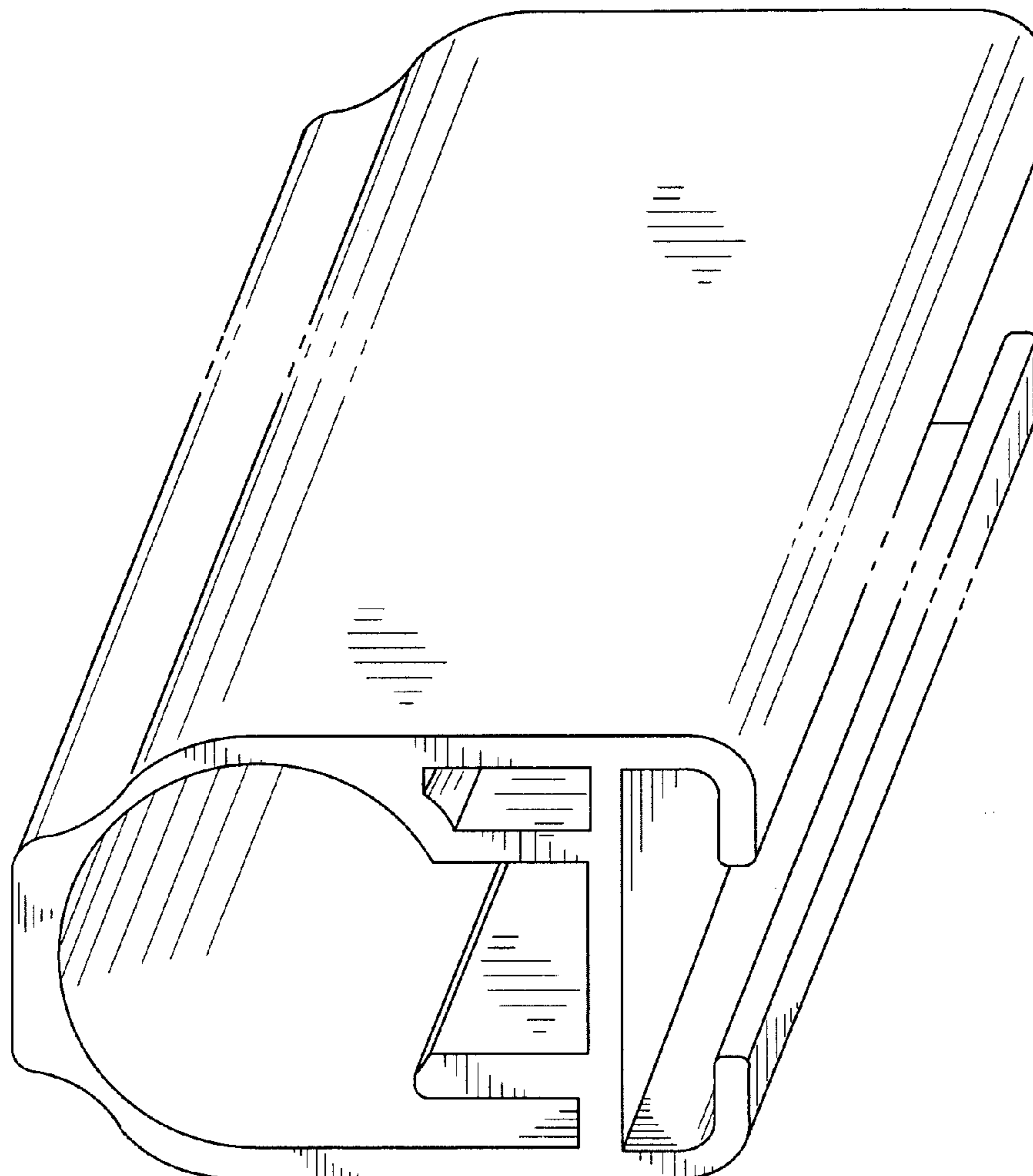
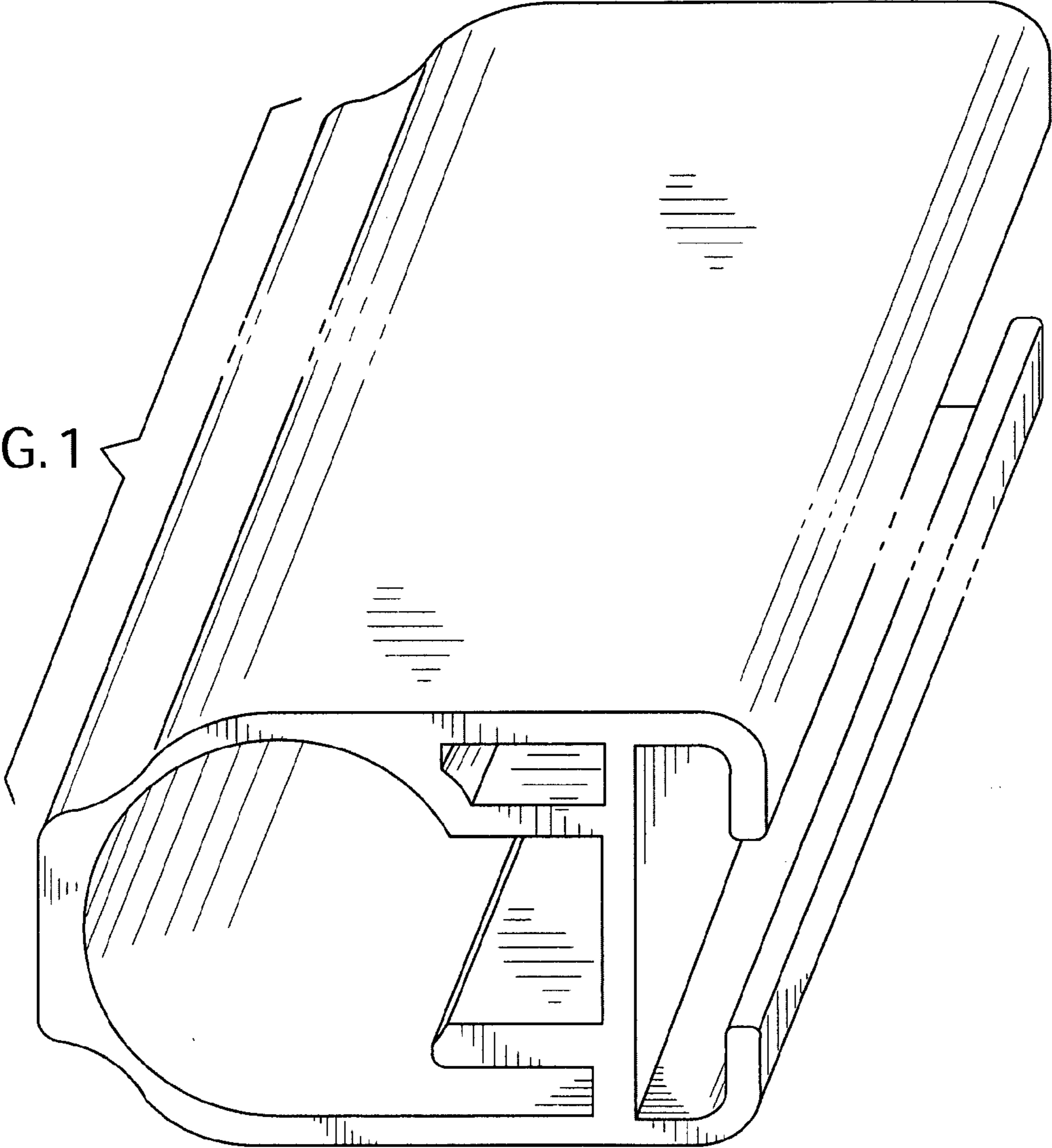


FIG. 1



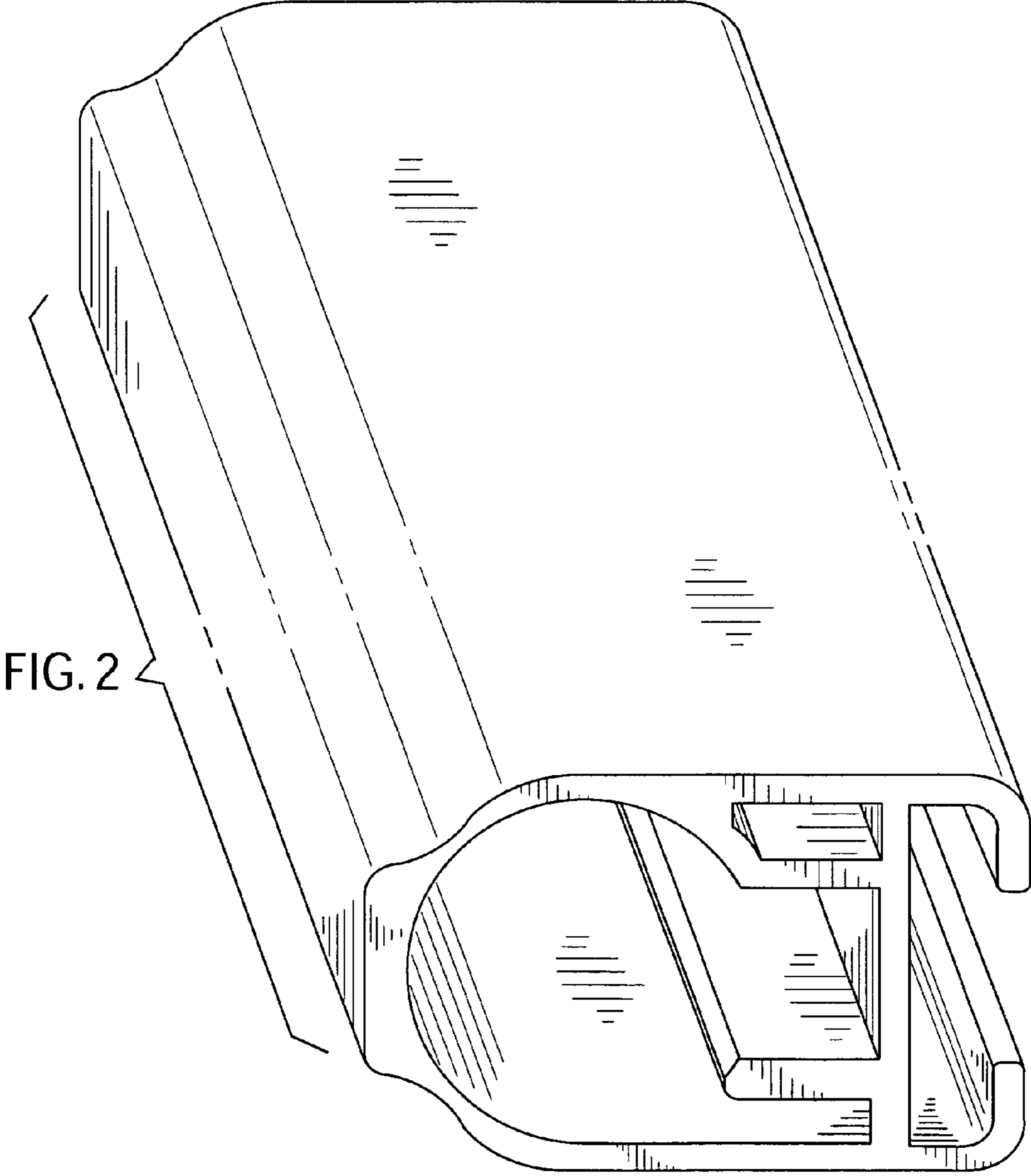
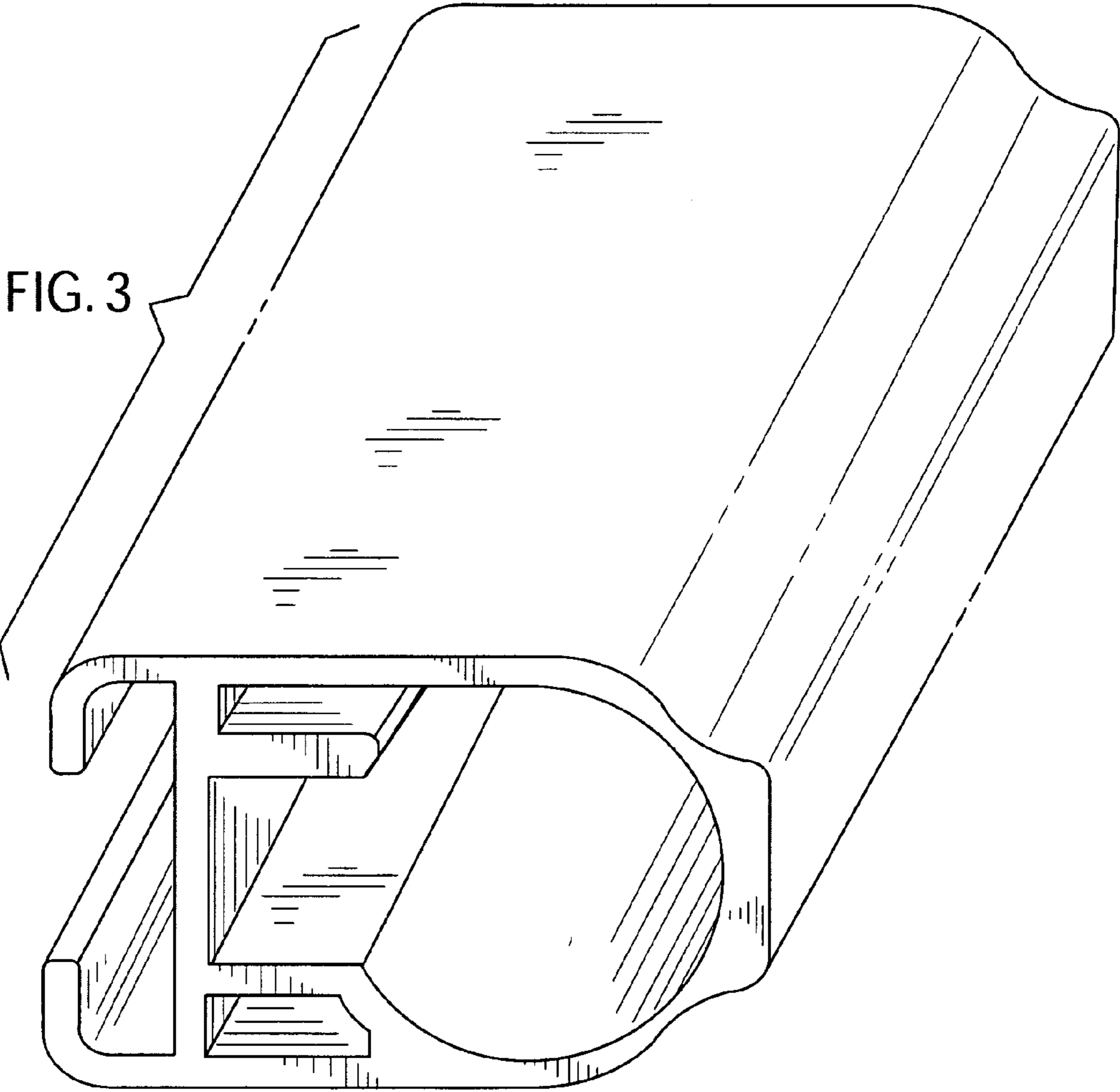


FIG. 2



UNITED STATES PATENT AND TRADEMARK OFFICE
CERTIFICATE OF CORRECTION

PATENT NO. : Des. 610,715 S
APPLICATION NO. : 29/292602
DATED : February 23, 2010
INVENTOR(S) : Ekkehard Koehn

Page 1 of 1

It is certified that error appears in the above-identified patent and that said Letters Patent is hereby corrected as shown below:

On Title Page,

After item “(22) Filed: October 17, 2007”

Add “(30) Foreign Application Priority Data April 27, 2007 [AU] Australia 315815”

Signed and Sealed this

First Day of June, 2010

A handwritten signature in black ink that reads "David J. Kappos". The signature is written in a cursive, flowing style.

David J. Kappos
Director of the United States Patent and Trademark Office