



US00D610714S

(12) **United States Design Patent**
Bloom et al.

(10) **Patent No.:** **US D610,714 S**
(45) **Date of Patent:** **** Feb. 23, 2010**

(54) **LAMINATED PANEL WITH INTERLOCKING EDGES**

D562,468 S 2/2008 Coulson

* cited by examiner

(76) Inventors: **Edward Bloom**, 6220 E. Cliffway Dr., Orange, CA (US) 92869; **Kenneth Biddle**, 1721 S. Balboa Ave., Ontario, CA (US) 91761; **Robert Lizardi**, 1721 S. Balboa Ave., Ontario, CA (US) 91701

Primary Examiner—Doris Clark

(57) **CLAIM**

We claim the ornamental design for a laminated panel having interlocking edges, as shown and described.

(**) Term: **14 Years**

DESCRIPTION

(21) Appl. No.: **29/310,463**

FIG. 1 is a perspective view of a laminated panel having interlocking edges; the portion of the Figure depicted in broken lines, which shows how a second panel may be connected to a first panel, is for illustrative purposes only and forms no part of the claimed design.

(22) Filed: **Aug. 19, 2008**

FIG. 2 is a front elevational view of the laminated panel, the rear being a mirror image thereof.

(51) **LOC (9) Cl.** **25-01**

(52) **U.S. Cl.** **D25/119**

(58) **Field of Classification Search** D25/119, D25/138; 52/271, 574, 588.1, 590.1, 590.2
See application file for complete search history.

FIG. 3 is a left side elevational view of FIG. 2.

FIG. 4 is a right side elevational view of FIG. 2.

(56) **References Cited**

U.S. PATENT DOCUMENTS

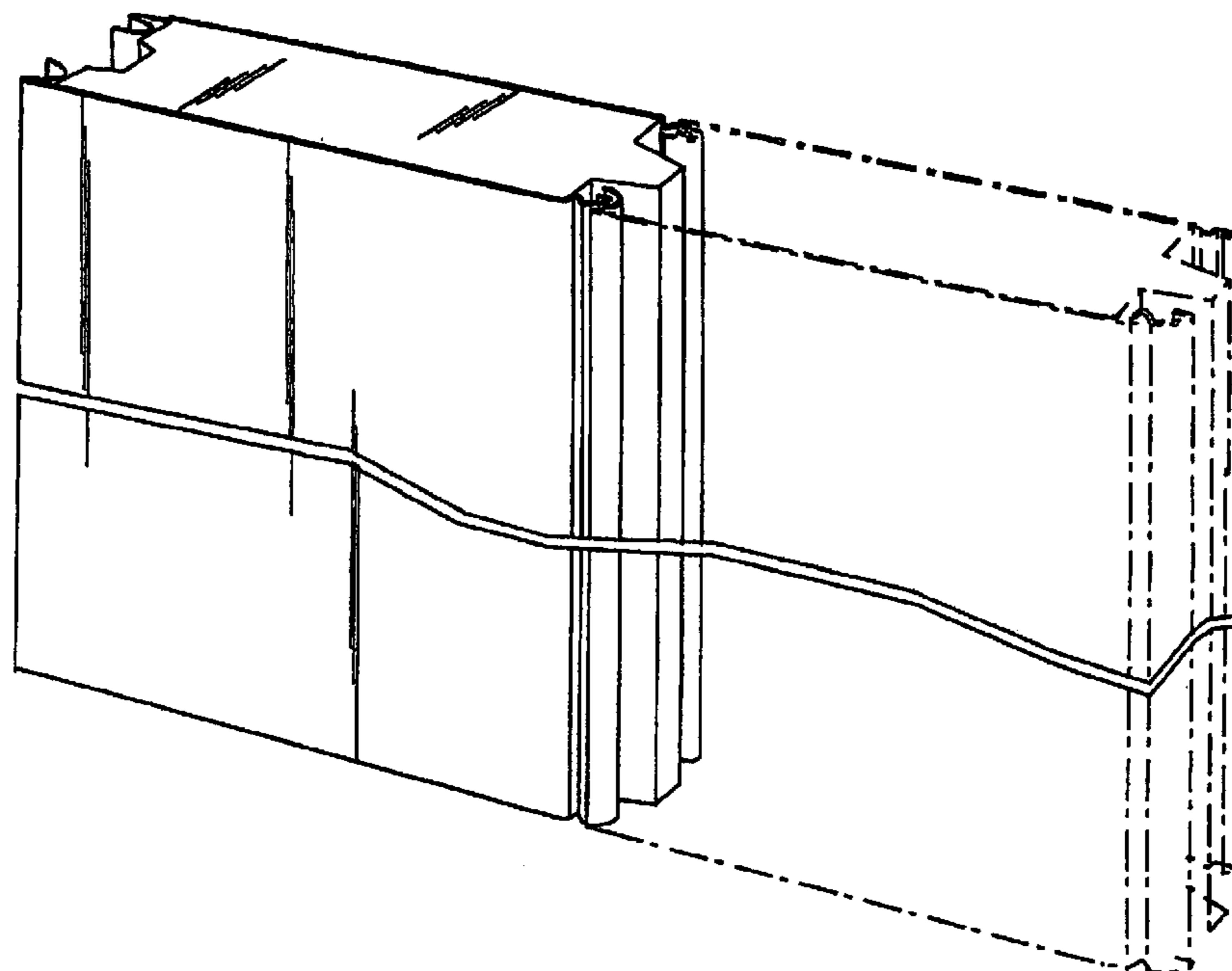
3,131,442	A *	5/1964	Persson-Melin	52/222
3,386,218	A *	6/1968	Scott	52/309.11
4,698,278	A	10/1987	Prang		
4,769,963	A	9/1988	Meyerson		
5,086,599	A	2/1992	Meyerson		
5,343,665	A *	9/1994	Palmersten	52/588.1
5,349,796	A *	9/1994	Meyerson	52/309.11
5,424,118	A *	6/1995	McLaughlin	428/314.8
5,613,338	A *	3/1997	Esposito	52/588.1
D455,843	S *	4/2002	Albany et al.	D25/119
D562,467	S	2/2008	Coulson		

FIG. 5 is a top plan view of FIG. 2, the bottom plan view being a mirror image thereof; and,

FIG. 6 is a partial view of the right side of FIG. 5, which shows how a second panel, partially depicted by broken lines, may be connected to a first panel; the portion of the figure in broken lines is for illustrative purposes only and forms no part of the claimed design.

The laminated panel having interlocking edges is depicted broken in the center in FIGS. 1 through 4 to show indeterminate length.

1 Claim, 4 Drawing Sheets



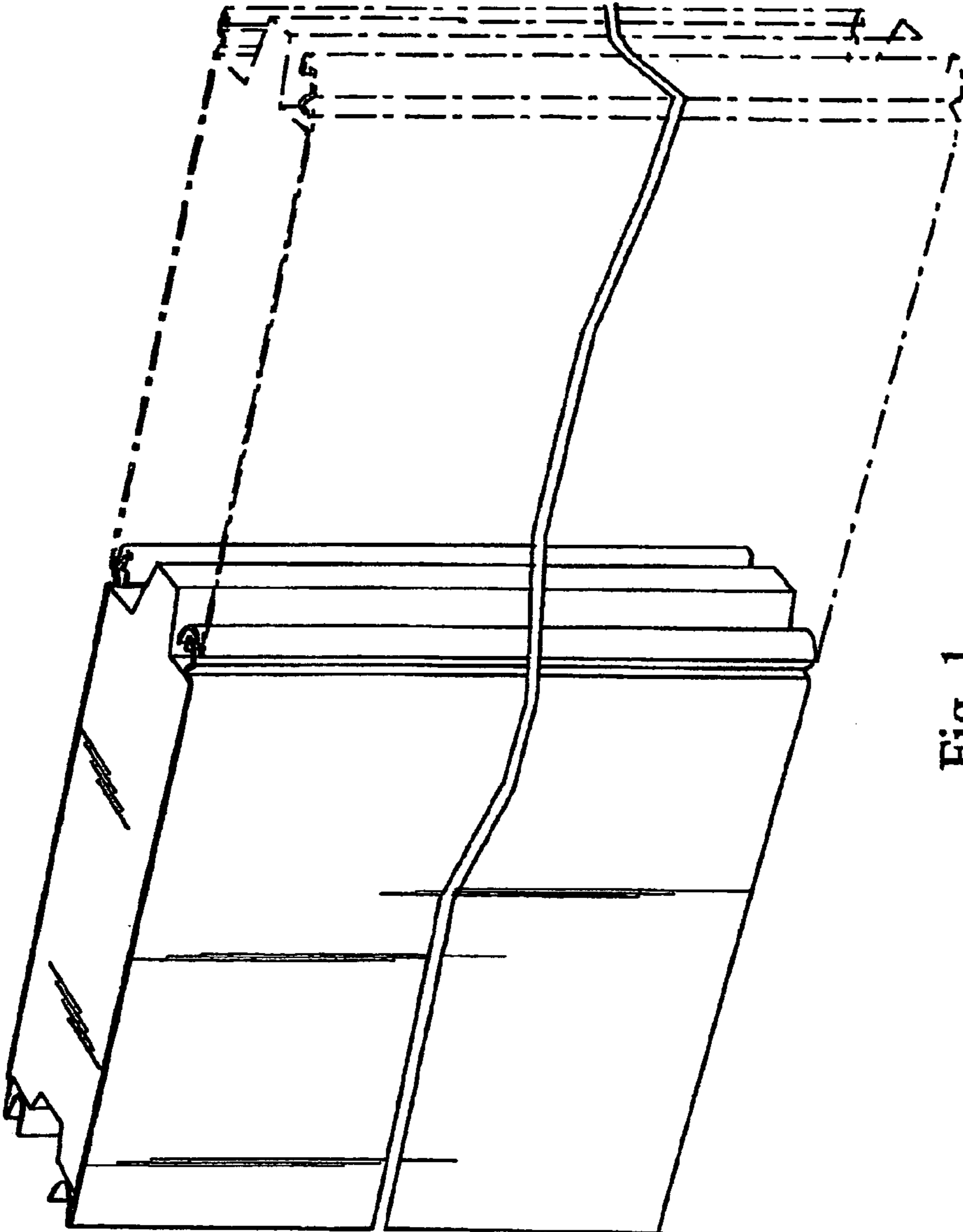


Fig. 1

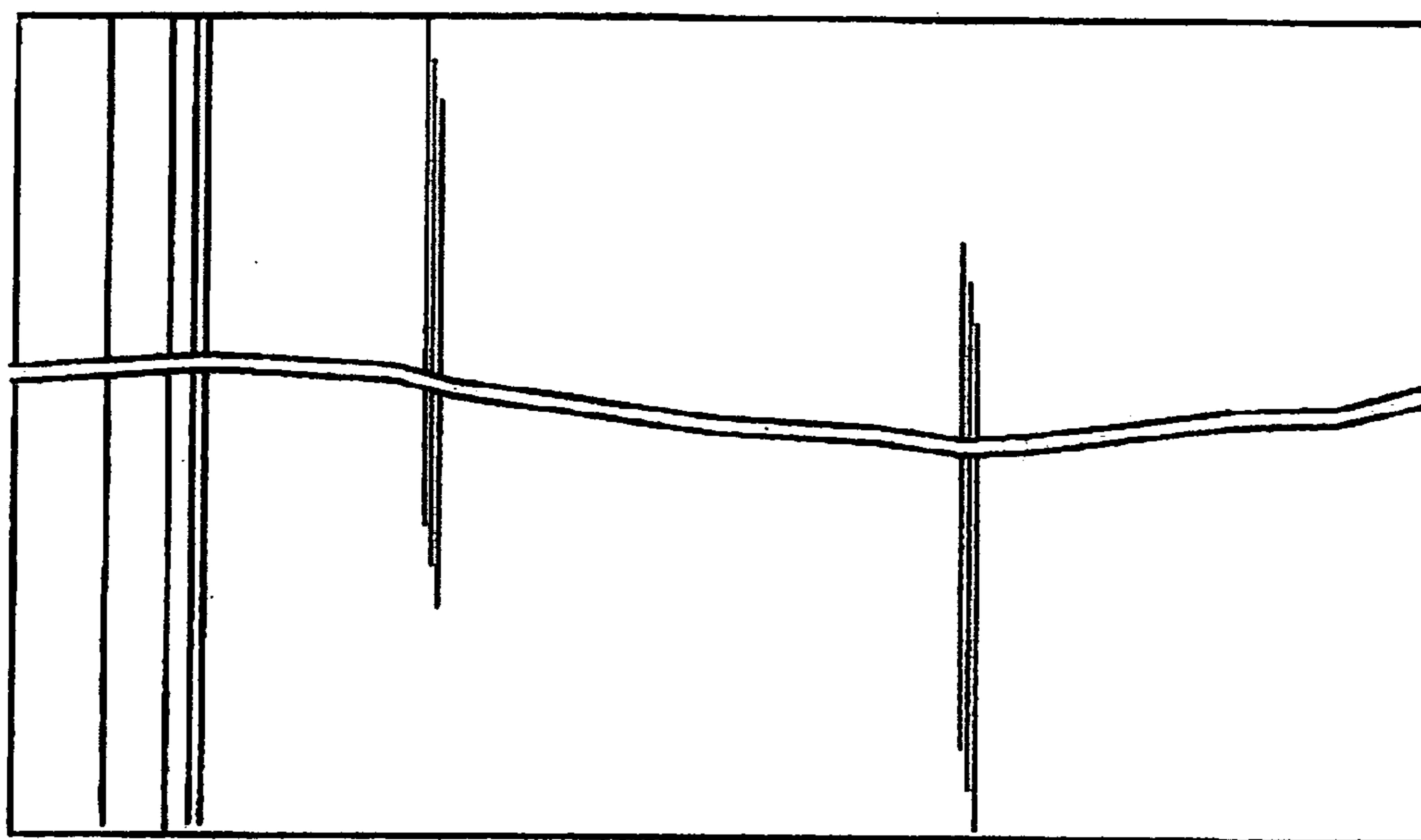


Fig. 2

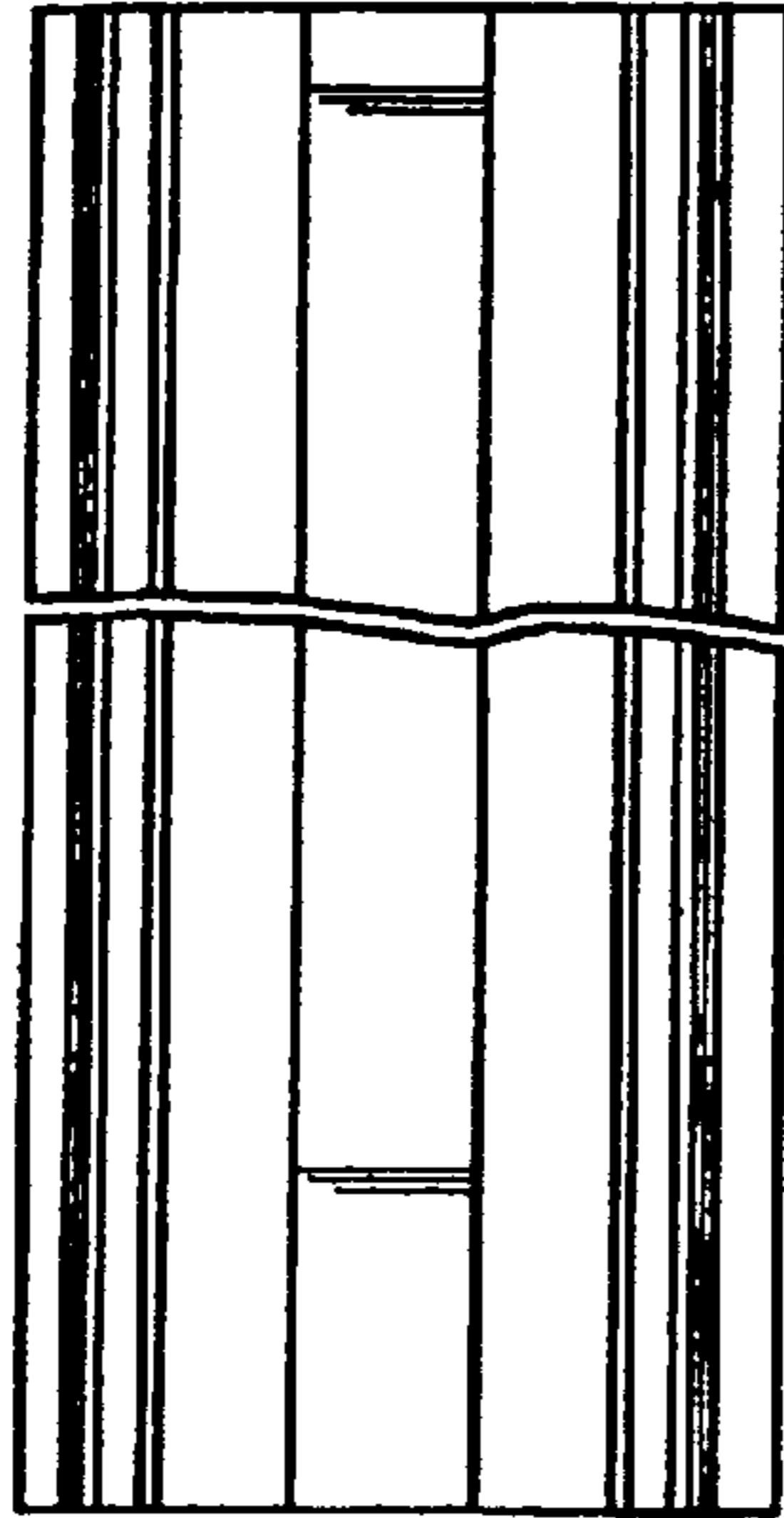


Fig. 3

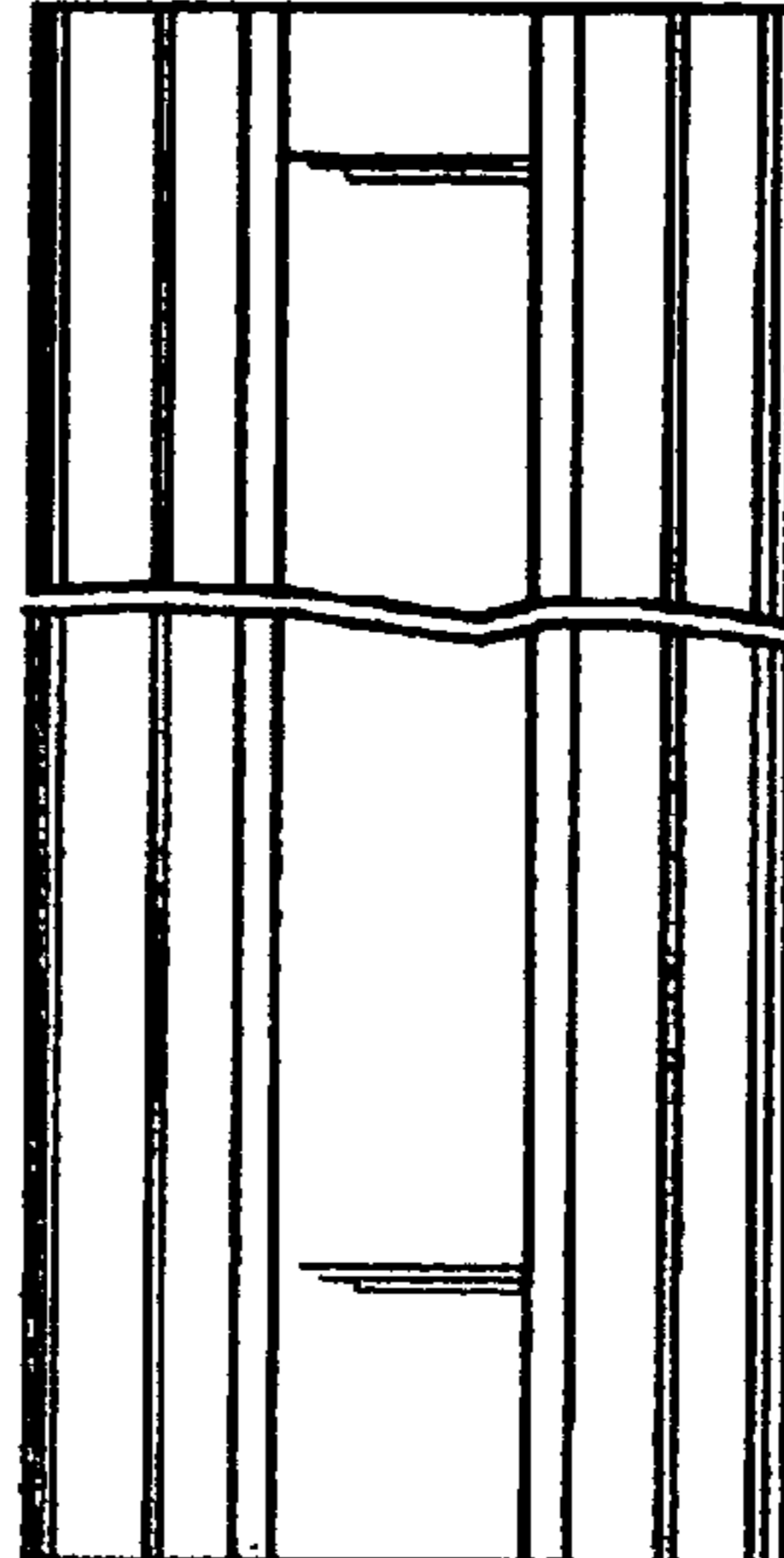


Fig. 4

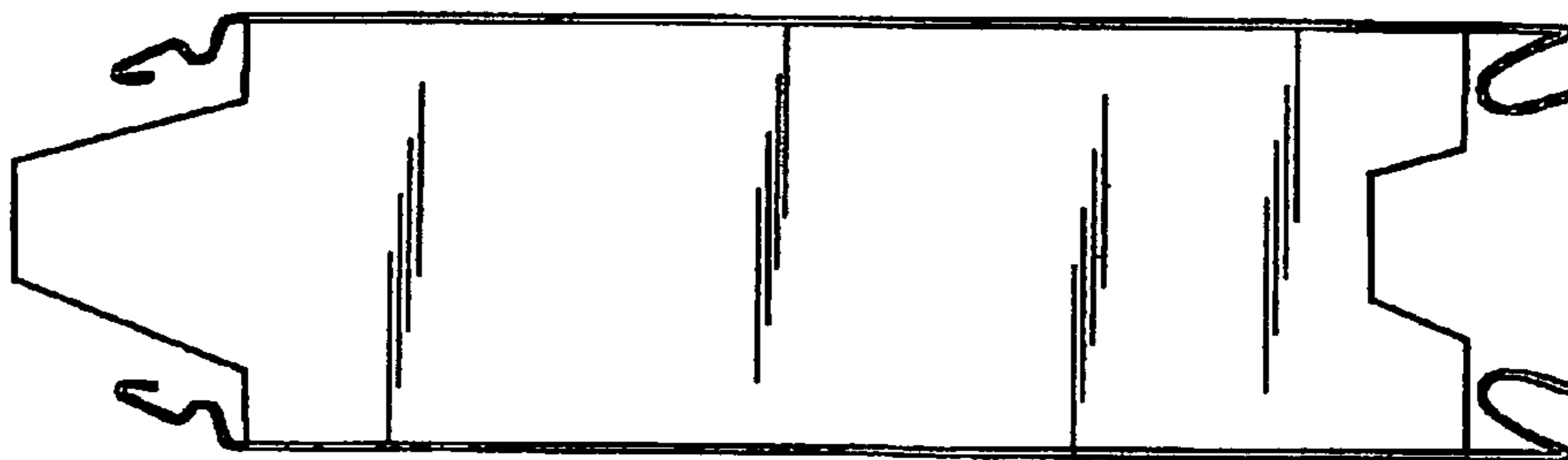


Fig. 5

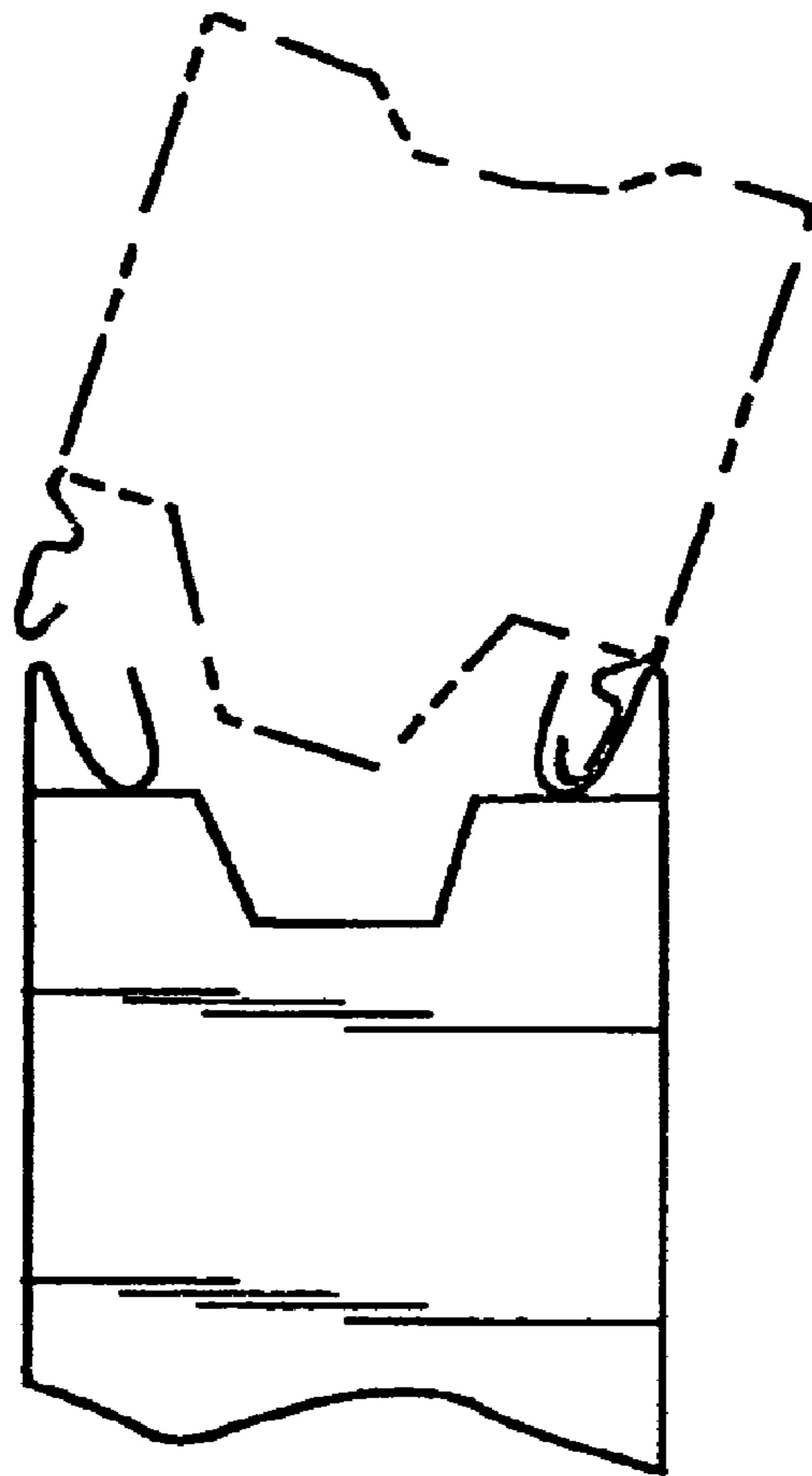


Fig. 6