



US00D610712S

(12) **United States Design Patent**
Hammer

(10) **Patent No.:** **US D610,712 S**

(45) **Date of Patent:** **** Feb. 23, 2010**

(54) **PORTION OF RETAINING BLOCK**

D530,832 S * 10/2006 Rainey D25/114

(75) Inventor: **James Hammer**, University Place, WA
(US)

(Continued)

(73) Assignee: **Westblock Systems, Inc.**, Salem, OR
(US)

OTHER PUBLICATIONS

U.S. Appl. No. 29/338,913, filed Jun. 19, 2009 James E. Hammer.

(**) Term: **14 Years**

(Continued)

(21) Appl. No.: **29/338,917**

Primary Examiner—T. Chase Nelson

Assistant Examiner—Anhdao Doan

(22) Filed: **Jun. 19, 2009**

(74) *Attorney, Agent, or Firm*—Klarquist Sparkman, LLP

(51) **LOC (9) Cl.** **25-01**

(52) **U.S. Cl.** **D25/113**

(58) **Field of Classification Search** D25/102,
D25/112–118, 119, 164; D21/484–491,
D21/499–502; 405/16, 17, 33, 35, 284, 286;
52/503–505, 574, 575, 596–605, 609–612;
404/29–31

(57) **CLAIM**

I claim the ornamental design for a portion of a retaining block, as shown and described.

See application file for complete search history.

DESCRIPTION

(56) **References Cited**

FIG. 1 is a perspective view of a portion of a retaining block, as viewed from the front, top, and one side of the block.

FIG. 2 is a perspective view of the retaining block portion of FIG. 1, as viewed from the rear, top, and one side of the block.

FIG. 3 is a bottom plan view of the retaining block portion of FIG. 1.

FIG. 4 is a top plan view of the retaining block portion of FIG. 1.

FIG. 5 is a side view of the retaining block portion of FIG. 1, the opposite side being a mirror image thereof.

FIG. 6 is rear view of the retaining block portion of FIG. 1; and,

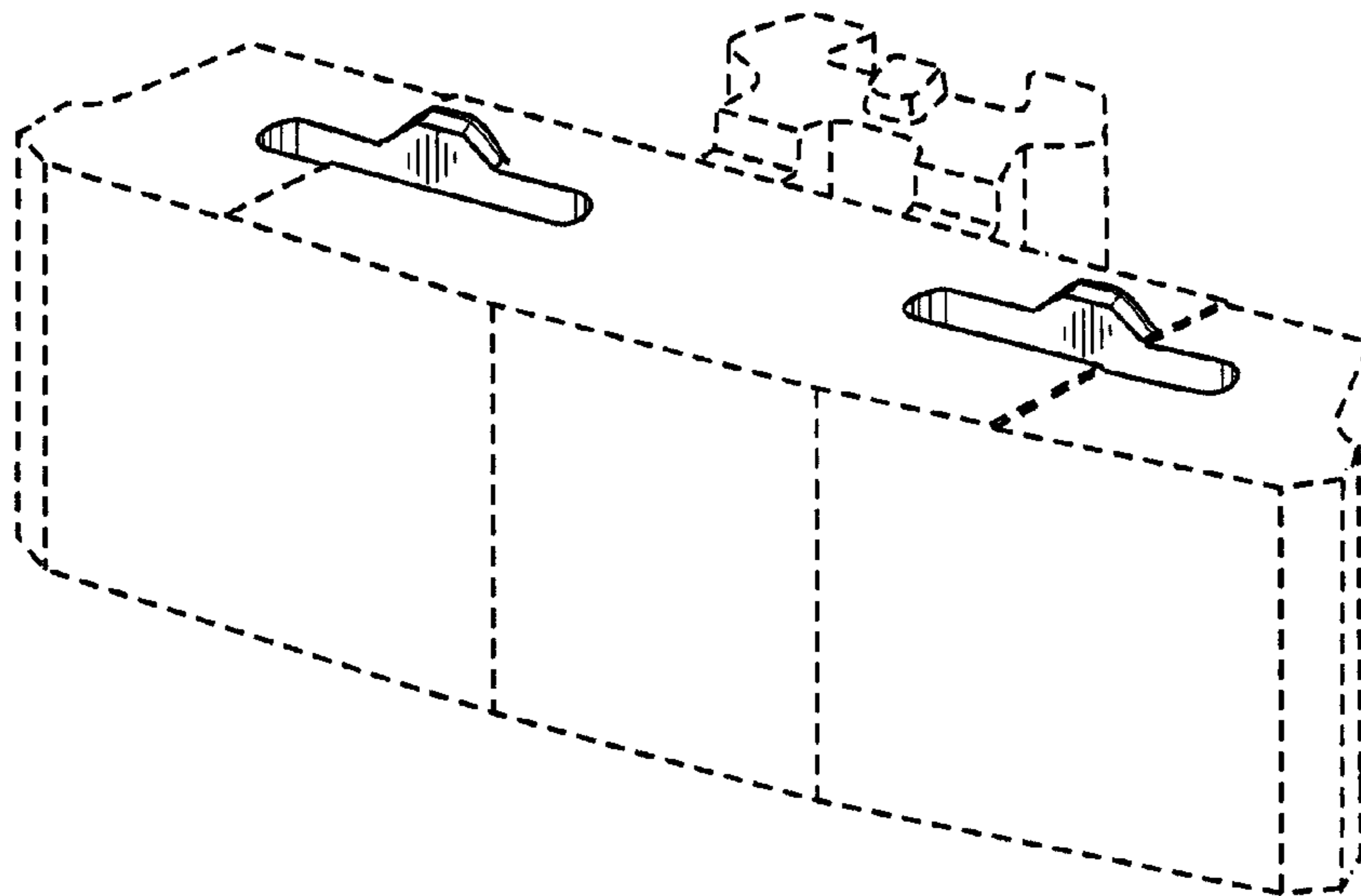
FIG. 7 is a front view of the retaining block portion of FIG. 1.

The broken lines in the drawings are for illustrative purposes only and form no part of the claimed design.

U.S. PATENT DOCUMENTS

1,631,901	A	6/1927	Threadgill	
4,107,894	A	8/1978	Mullins	
4,186,540	A	2/1980	Mullins	
4,372,091	A	2/1983	Brown et al.	
4,453,352	A *	6/1984	Allen et al.	52/98
4,514,113	A *	4/1985	Neumann	405/286
4,516,364	A	5/1985	Heider	
D304,500	S *	11/1989	VanWassehova et al.	D25/114
4,896,472	A	1/1990	Hunt	
5,107,653	A *	4/1992	Lewis	52/591.1
5,421,135	A	6/1995	Stevens et al.	
5,505,034	A	4/1996	Dueck	
5,941,042	A	8/1999	Dueck	
5,951,210	A *	9/1999	Maguire et al.	405/286
6,490,837	B1	12/2002	Dueck et al.	
D468,450	S *	1/2003	Hammer	D25/118
6,854,220	B2	2/2005	Dueck et al.	

1 Claim, 3 Drawing Sheets



US D610,712 S

Page 2

U.S. PATENT DOCUMENTS

D548,365 S * 8/2007 Price D25/113
D555,808 S * 11/2007 Price et al. D25/118
D587,382 S * 2/2009 Wauhop D25/113
7,553,109 B2 * 6/2009 Blundell 405/286
2002/0001509 A1 * 1/2002 Hong 405/286
2003/0196399 A1 * 10/2003 Wu 52/422
2005/0016106 A1 1/2005 Dawson et al.
2006/0204343 A1 * 9/2006 Kallen 405/284
2007/0130873 A1 * 6/2007 Fisher 52/596

2007/0175161 A1 * 8/2007 Sunseth et al. 52/604

OTHER PUBLICATIONS

U.S. Appl. No. 29/338,914, filed Jun. 19, 2009 James E. Hammer.
U.S. Appl. No. 29/338,915, filed Jun. 19, 2009 James E. Hammer.
U.S. Appl. No. 29/338,916, filed Jun. 19, 2009 James E. Hammer.
U.S. Appl. No. 29/338,918, filed Jun. 19, 2009 James E. Hammer.
U.S. Appl. No. 29/338,919, filed Jun. 19, 2009 James E. Hammer.

* cited by examiner

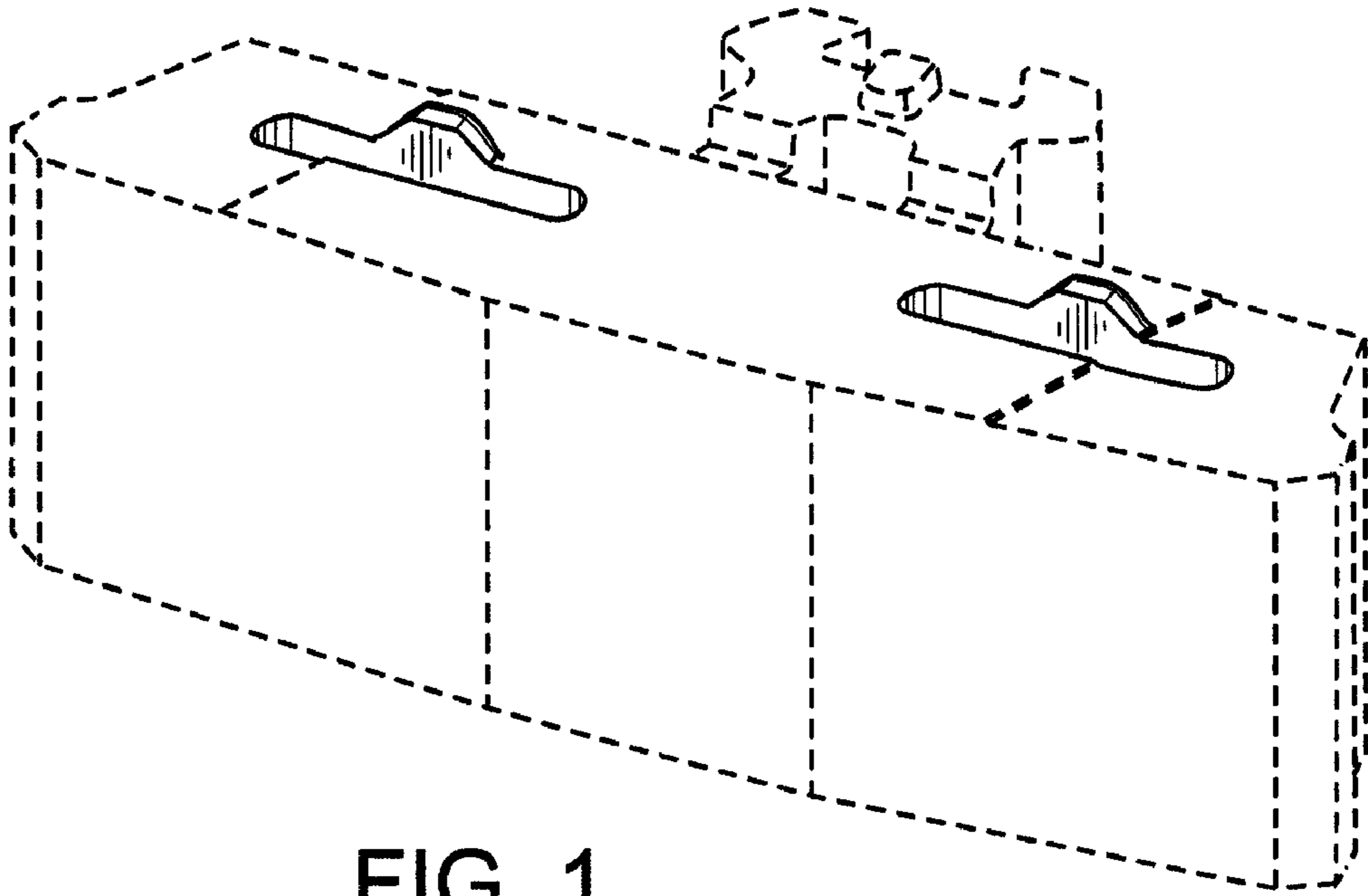


FIG. 1

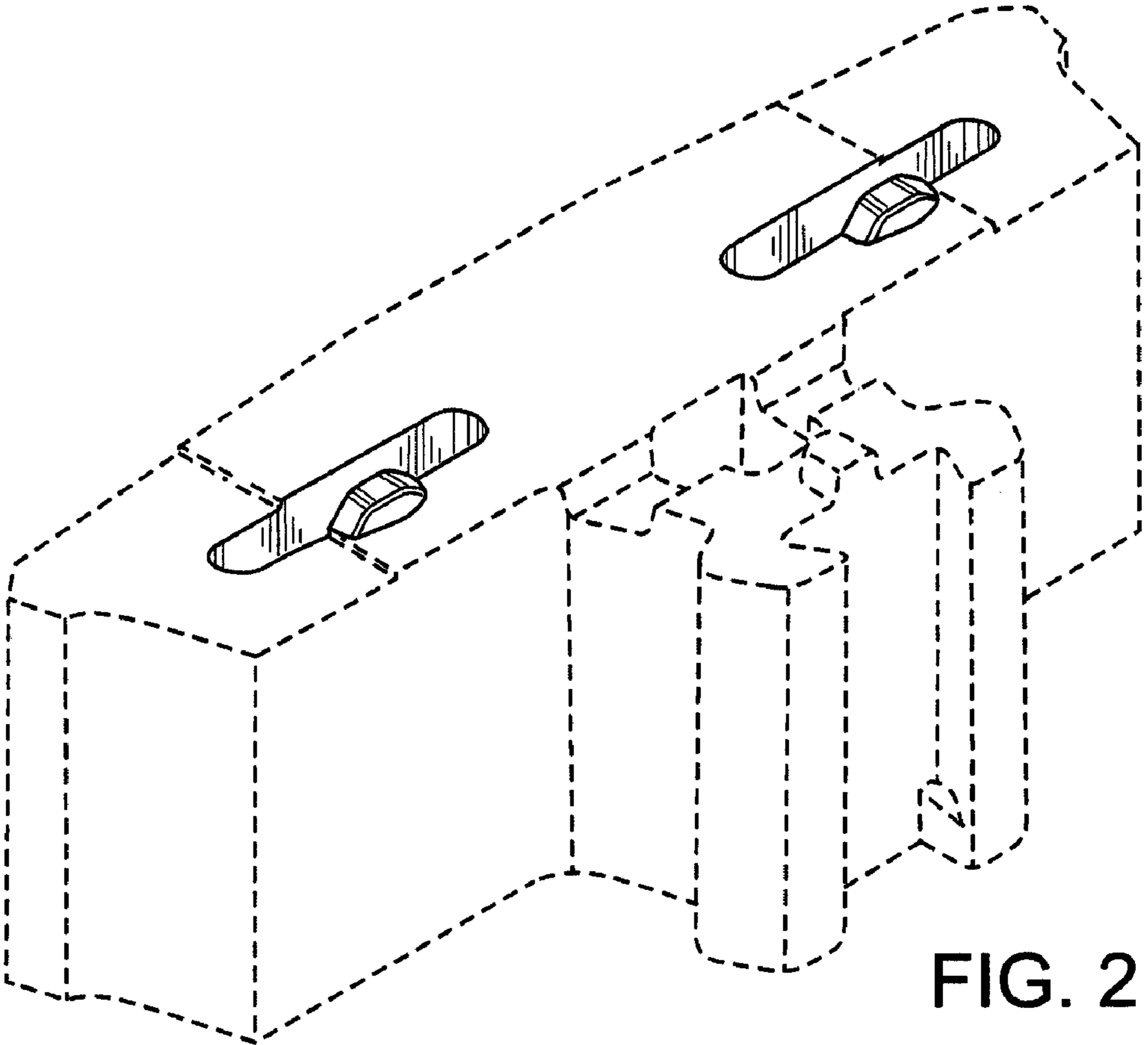


FIG. 2

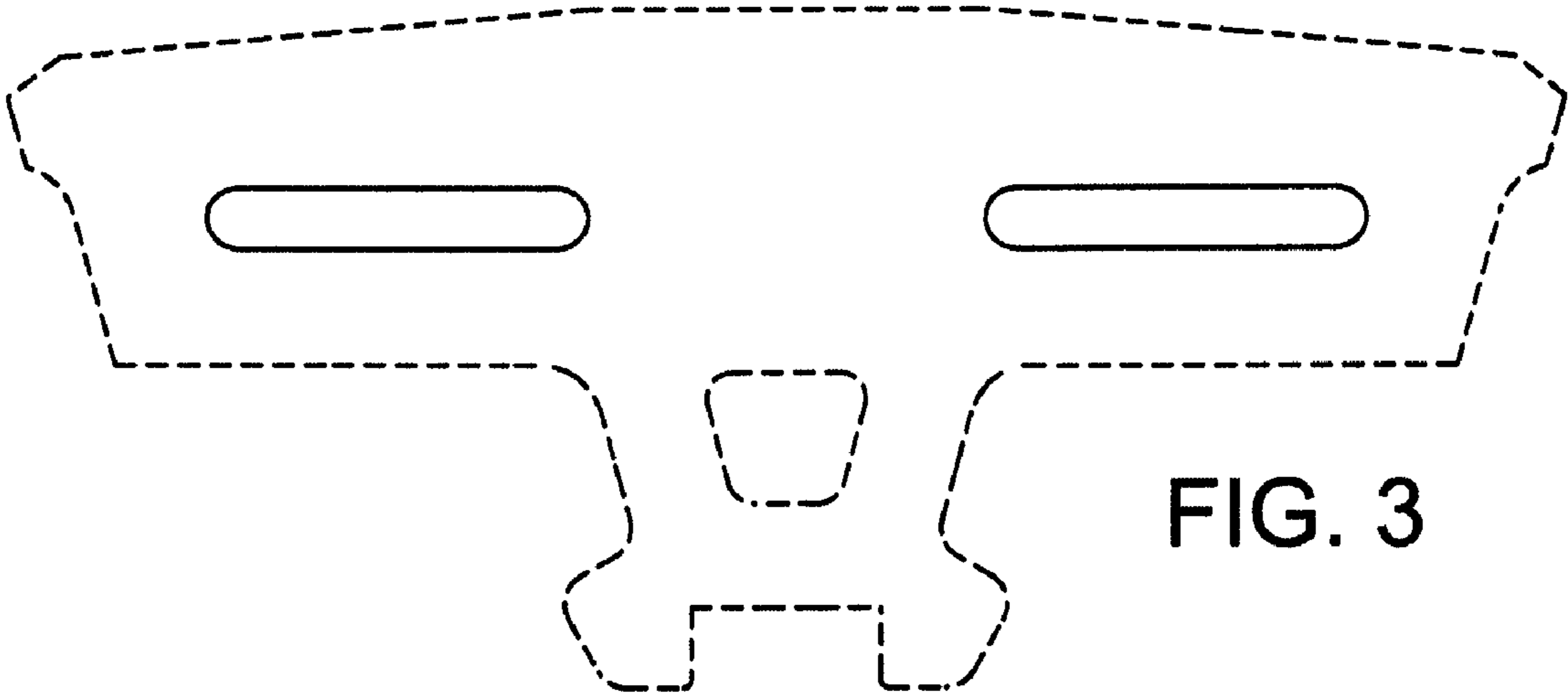


FIG. 3

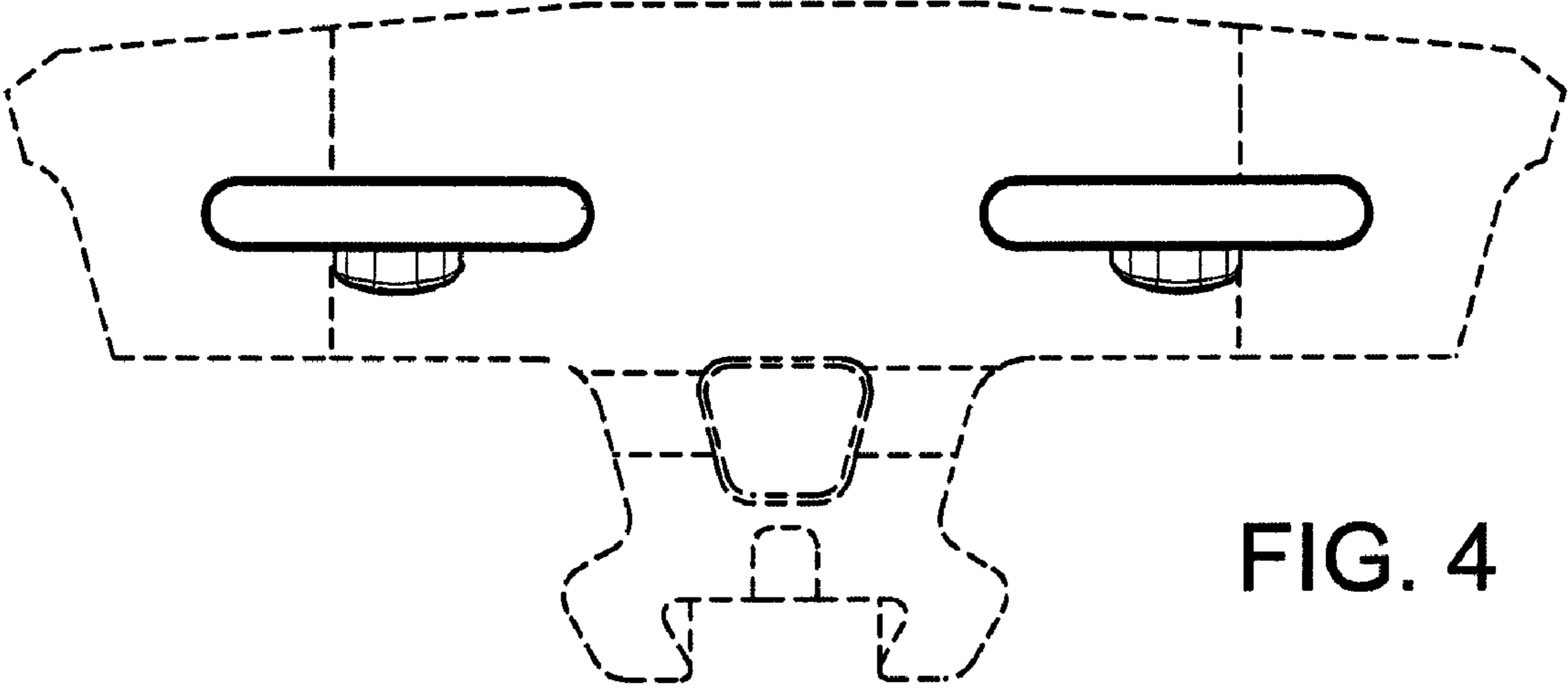


FIG. 4

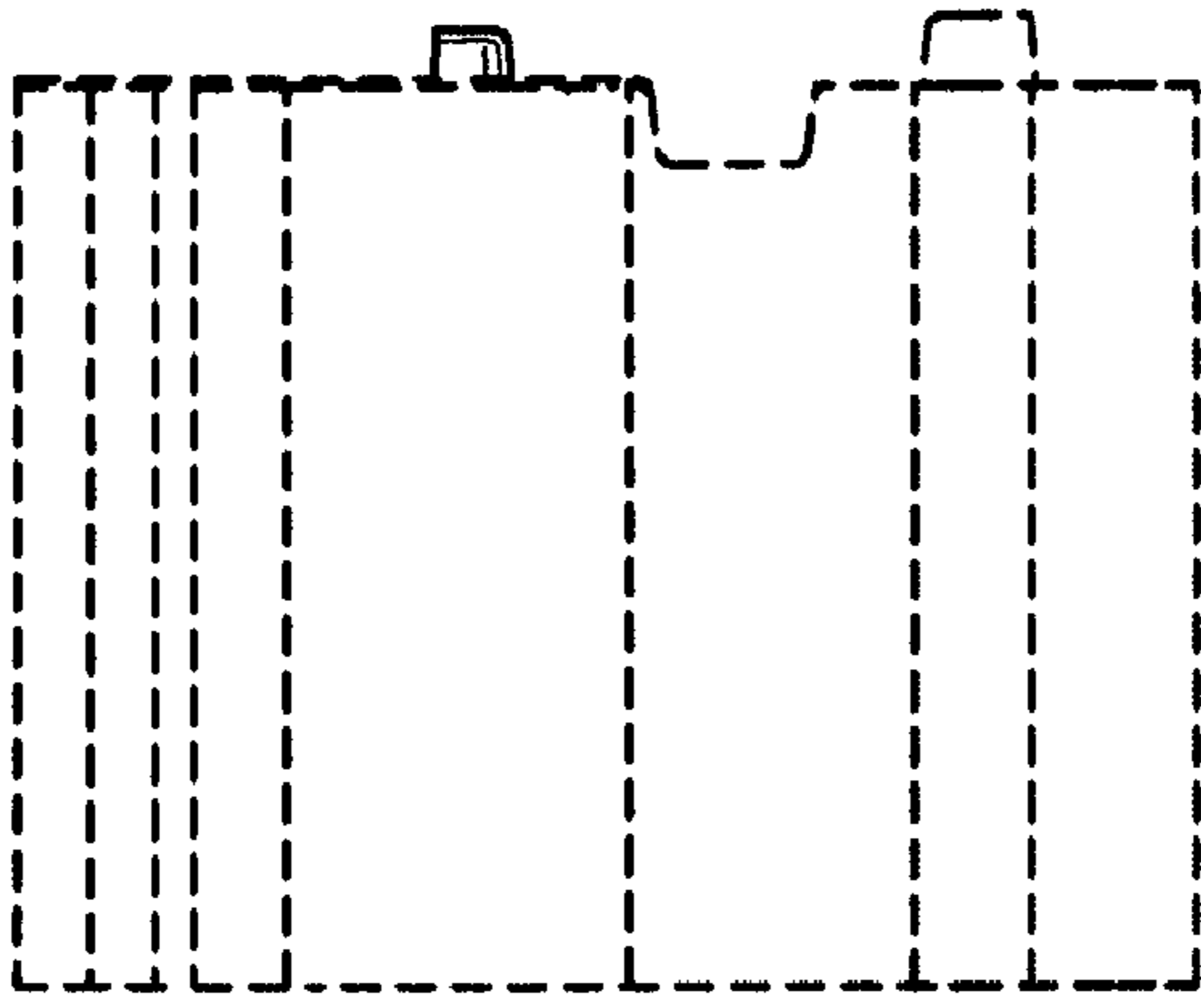


FIG. 5

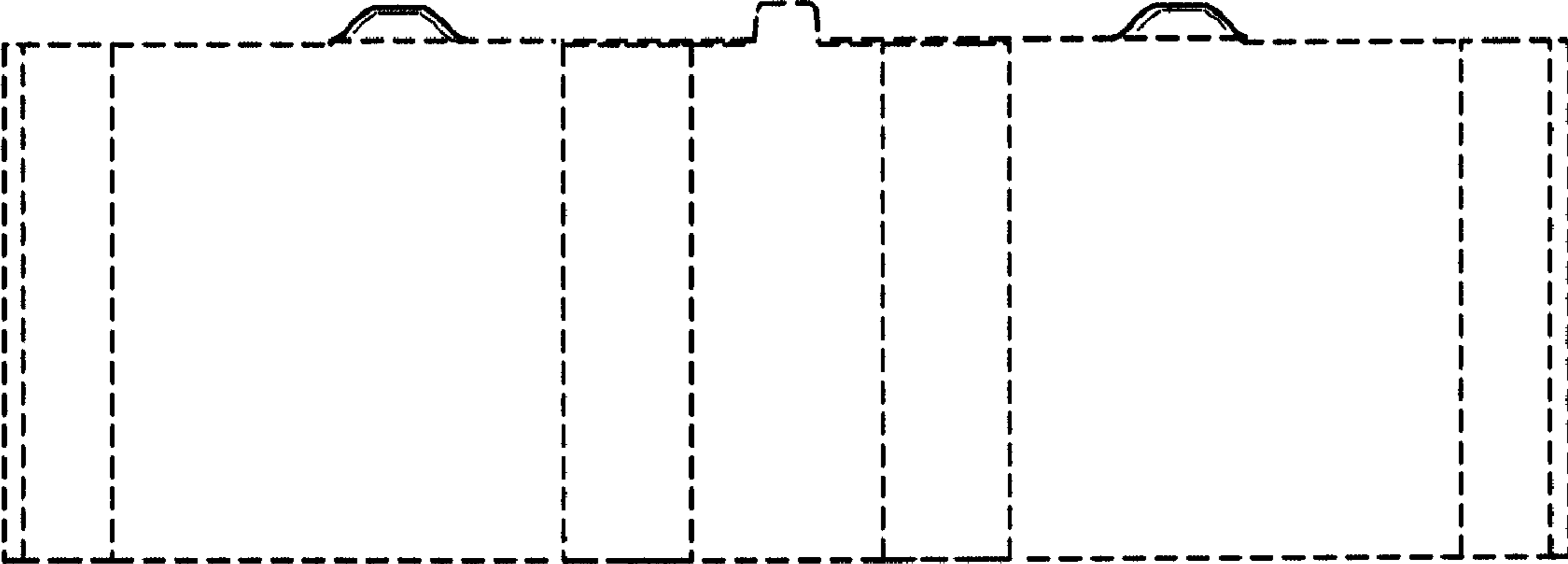


FIG. 6

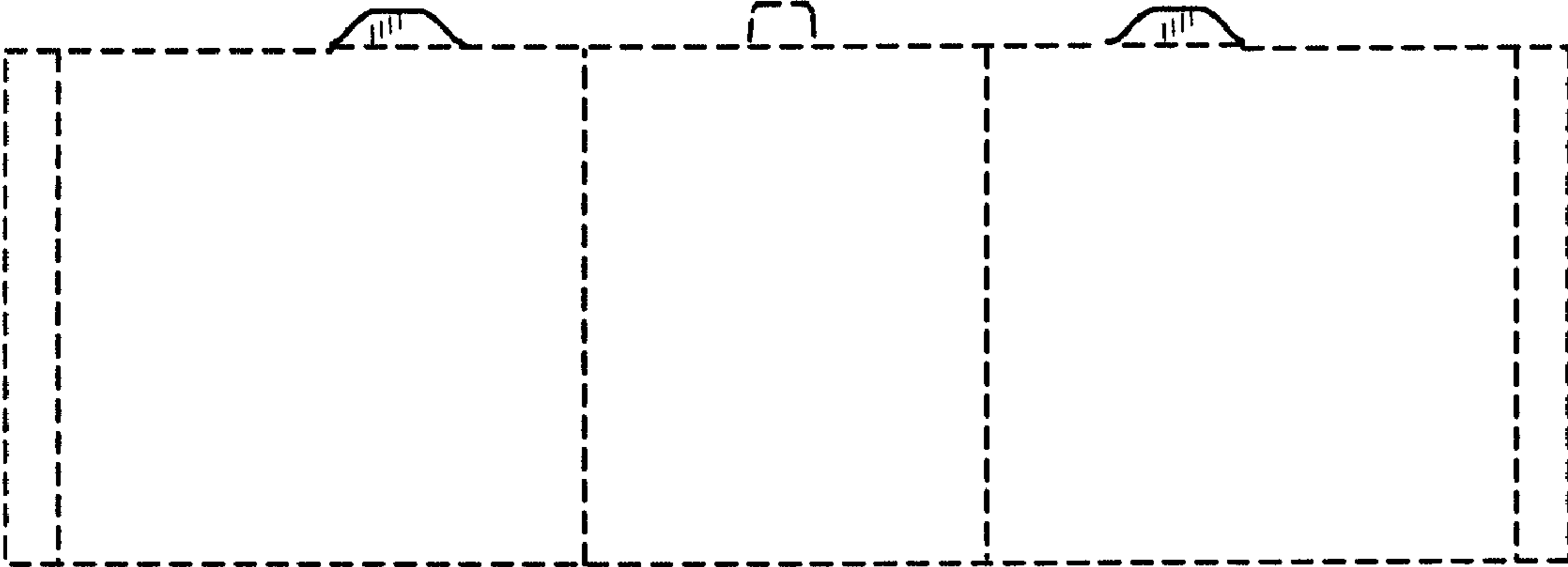


FIG. 7