



US00D610711S

(12) **United States Design Patent**
LaCroix et al.

(10) **Patent No.:** **US D610,711 S**

(45) **Date of Patent:** **** Feb. 23, 2010**

(54) **WALL BLOCK BODY**

2005/0016106 A1* 1/2005 Dawson et al. 52/562

(75) Inventors: **David M. LaCroix**, St. Paul, MN (US);
Robert A. MacDonald, Plymouth, MN (US)

* cited by examiner

Primary Examiner—T. Chase Nelson

Assistant Examiner—Anhdao Doan

(73) Assignee: **Keystone Retaining Wall Systems, Inc.**,
Bloomington, MN (US)

(74) *Attorney, Agent, or Firm*—Popovich, Wiles &
O'Connell, P.A.

(**) Term: **14 Years**

(57) **CLAIM**

(21) Appl. No.: **29/327,532**

The ornamental design for a wall block body, as shown and described.

(22) Filed: **Nov. 7, 2008**

DESCRIPTION

(51) **LOC (9) Cl.** **25-01**

FIG. 1 is a front, bottom perspective view of a wall block body according to my new design;

(52) **U.S. Cl.** **D25/113**

FIG. 2 is a rear, bottom perspective view thereof;

(58) **Field of Classification Search** D25/102,

FIG. 3 is a bottom plan view thereof;

D25/112–118, 119, 164; D21/484–491,
D21/499–502; 405/16, 17, 33, 35, 284, 286;
52/503–505, 574, 575, 596–605, 609–612;
404/29–31, 34

FIG. 4 is a top plan view thereof;

See application file for complete search history.

FIG. 5 is a front elevational view thereof;

FIG. 6 is a rear elevational view thereof;

(56) **References Cited**

U.S. PATENT DOCUMENTS

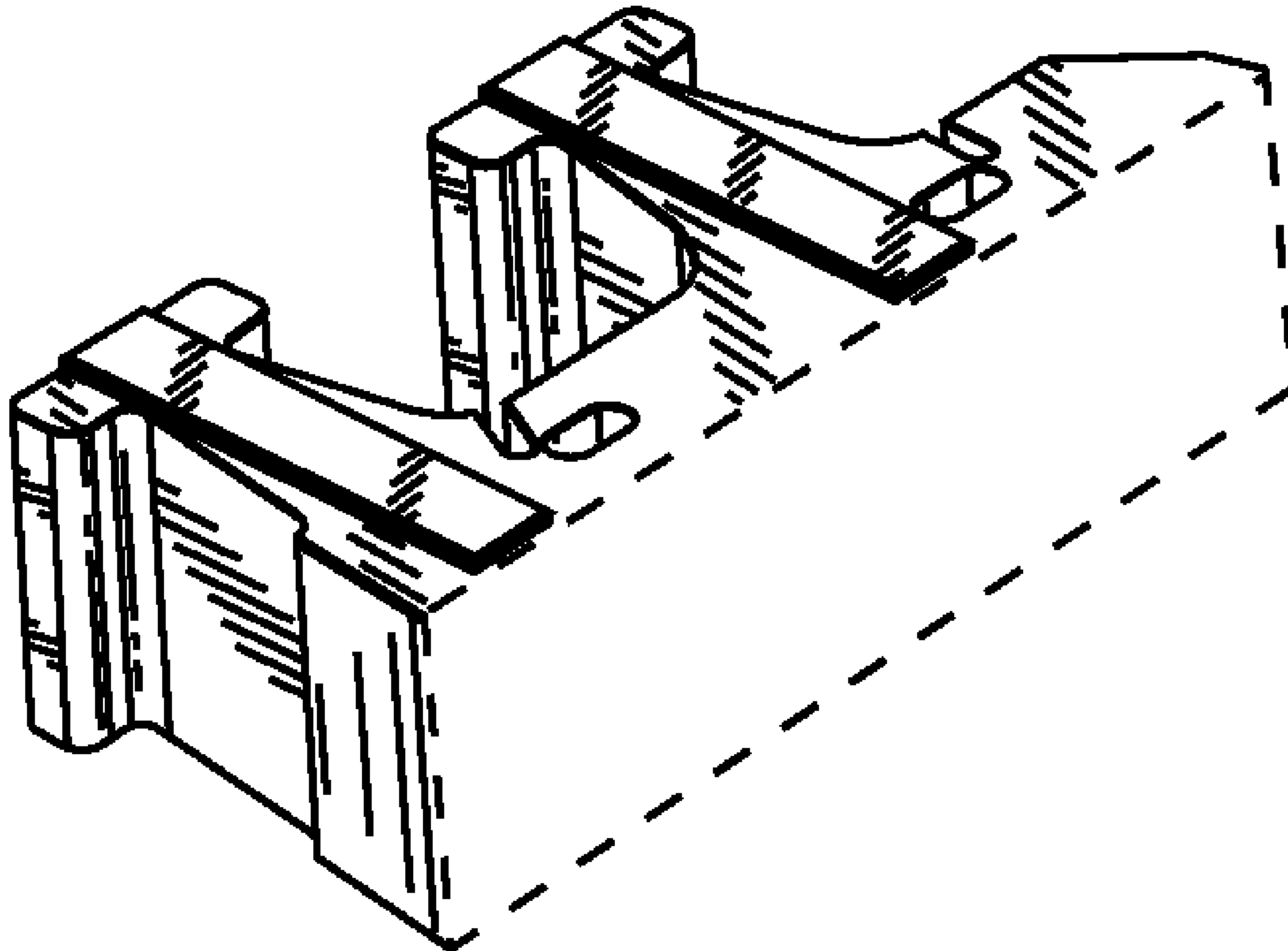
D501,935 S * 2/2005 Dawson et al. D25/118
D547,881 S * 7/2007 Price et al. D25/113
D548,367 S * 8/2007 Price D25/113
D556,919 S * 12/2007 Price D25/116
7,497,646 B2 * 3/2009 Price 405/284

FIG. 7 is a left side elevational view thereof; and,

FIG. 8 is a right side elevational view thereof.

The broken lines in the drawings are included for the purpose of illustrating a portion of the wall block body that forms no part of the claimed design.

1 Claim, 1 Drawing Sheet



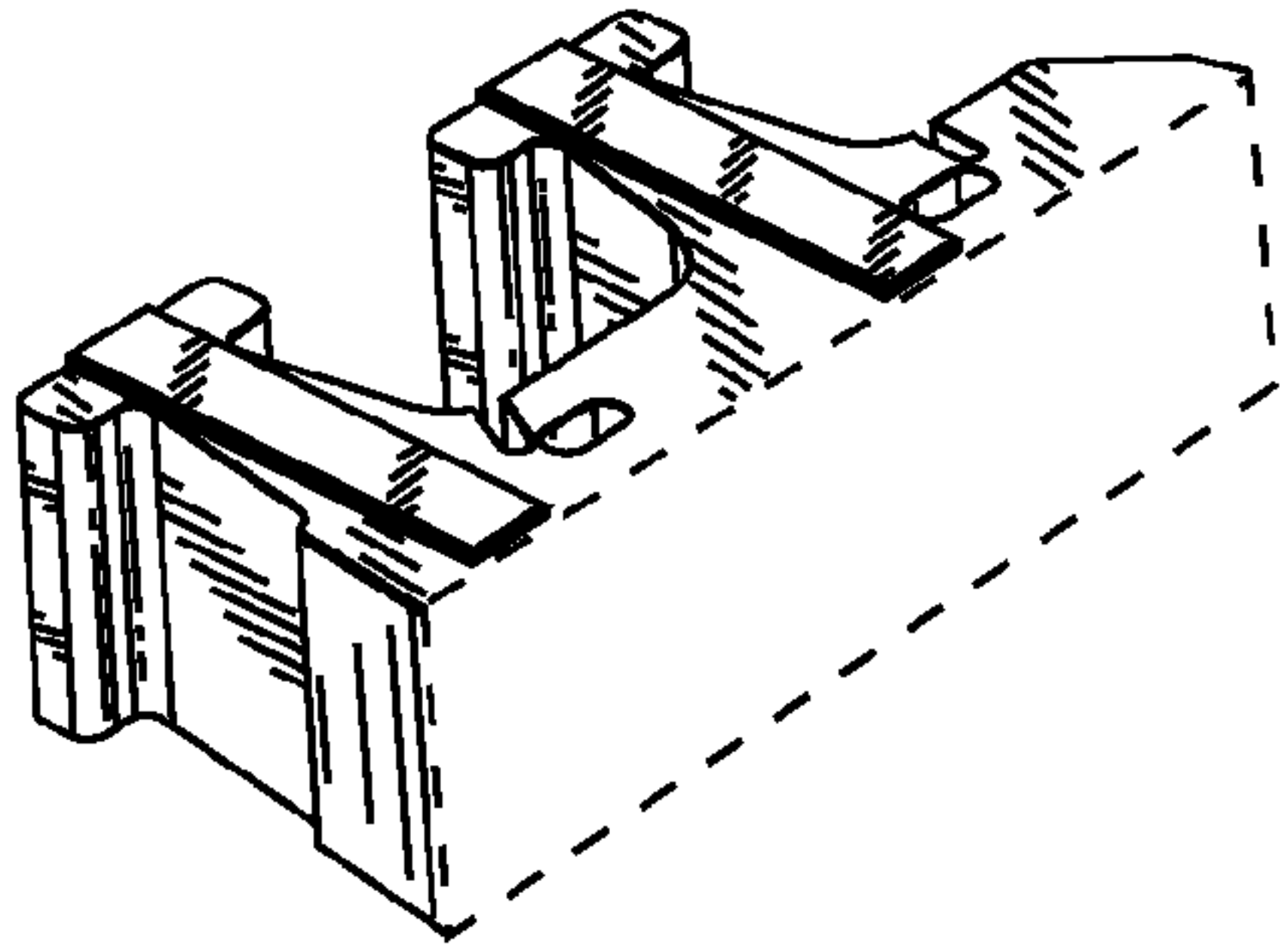


FIG. 1

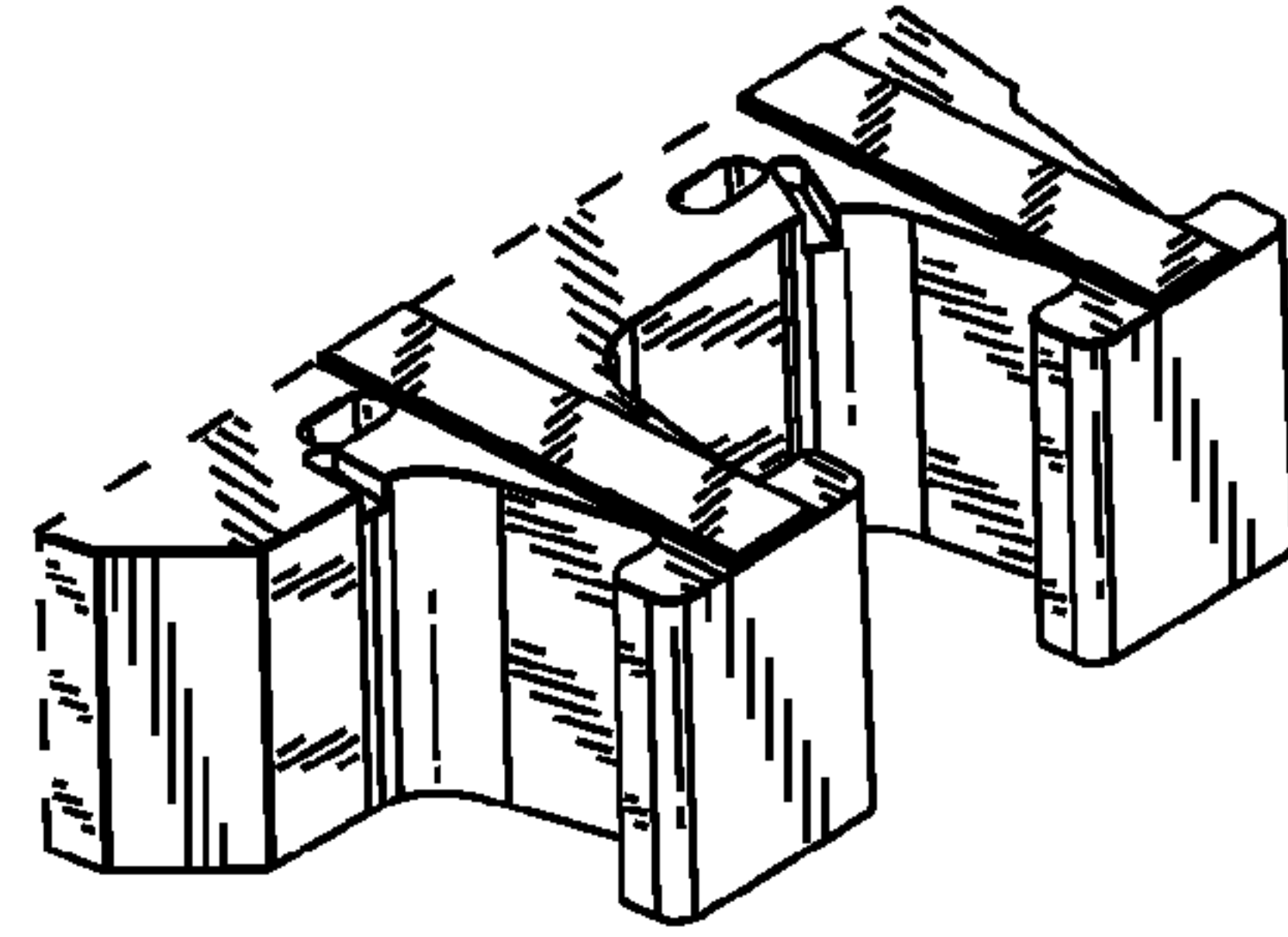


FIG. 2

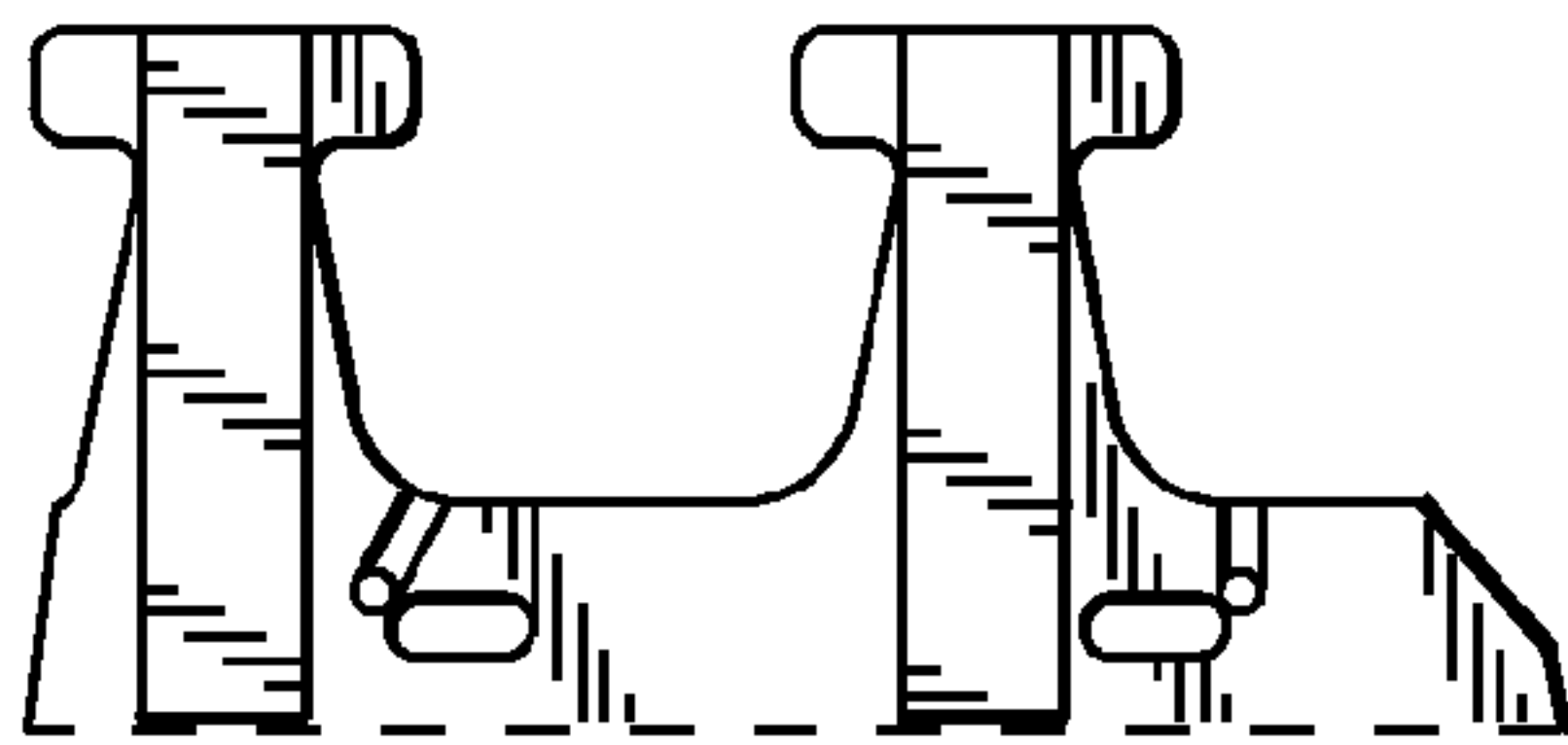


FIG. 3

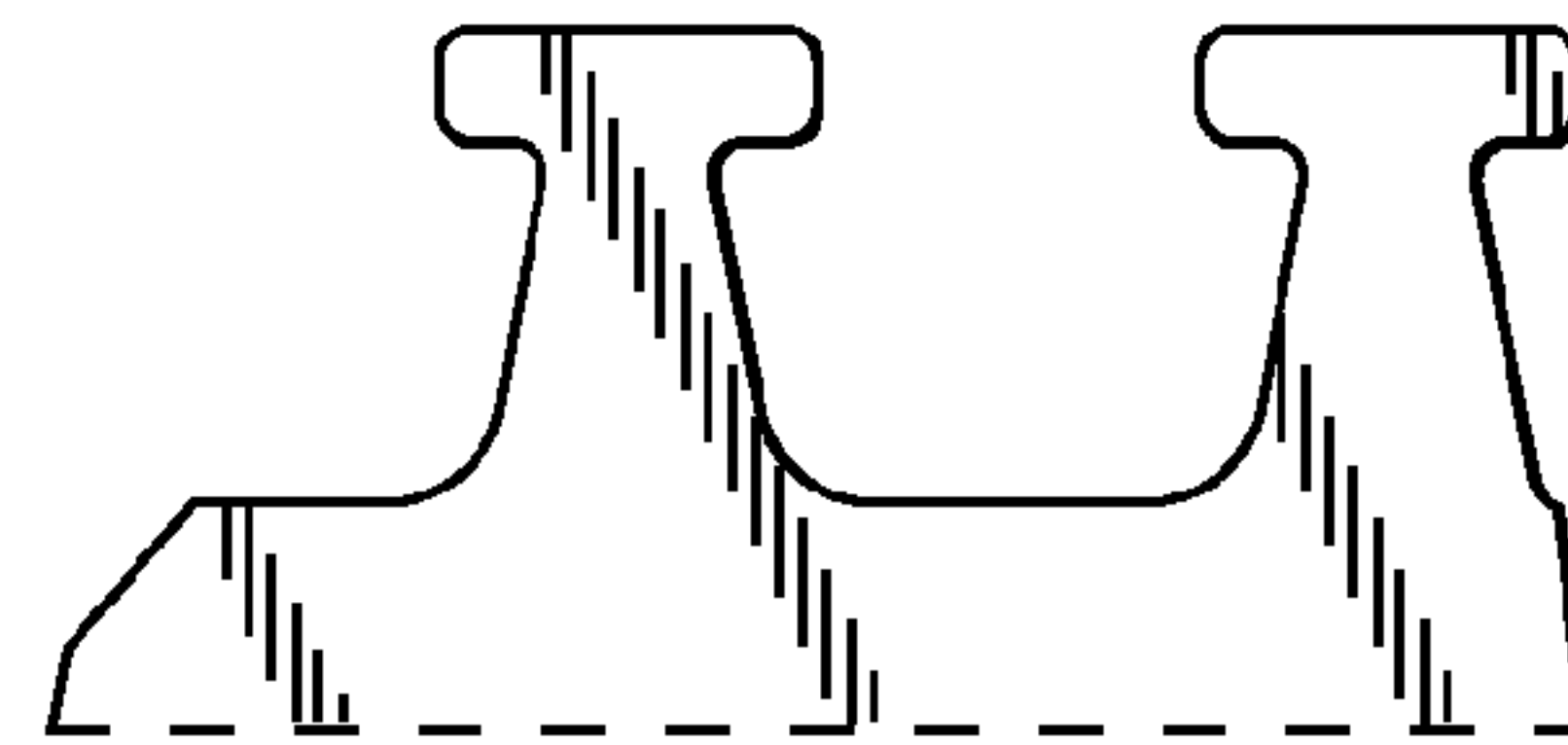


FIG. 4



FIG. 5

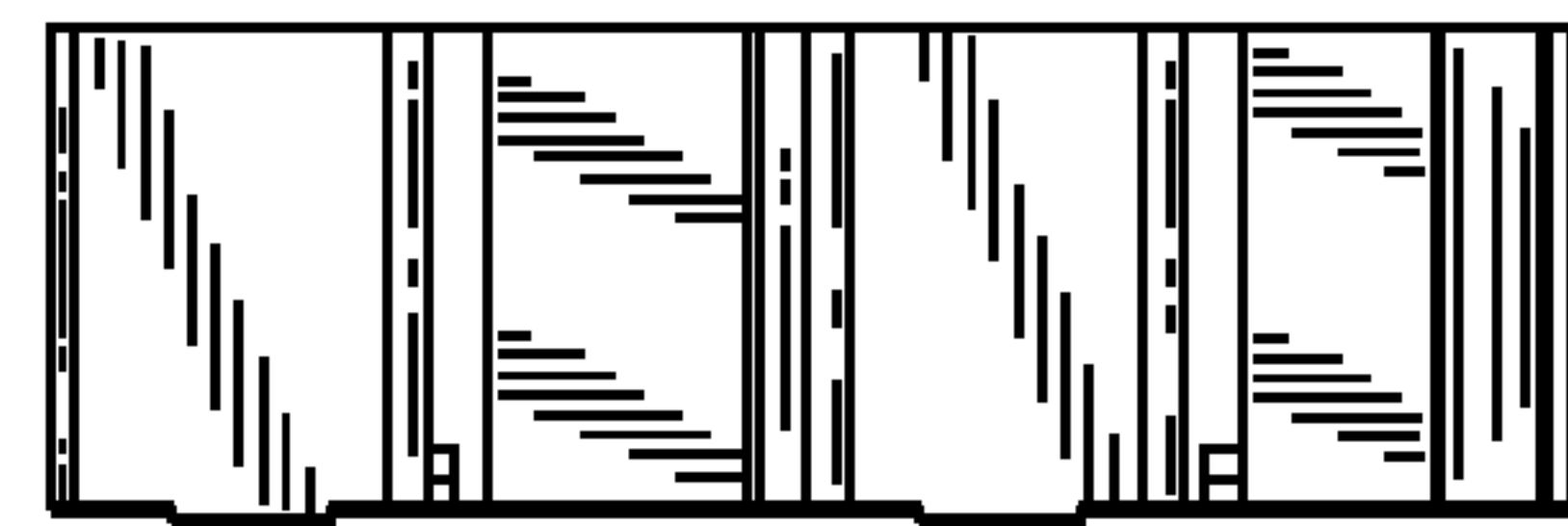


FIG. 6

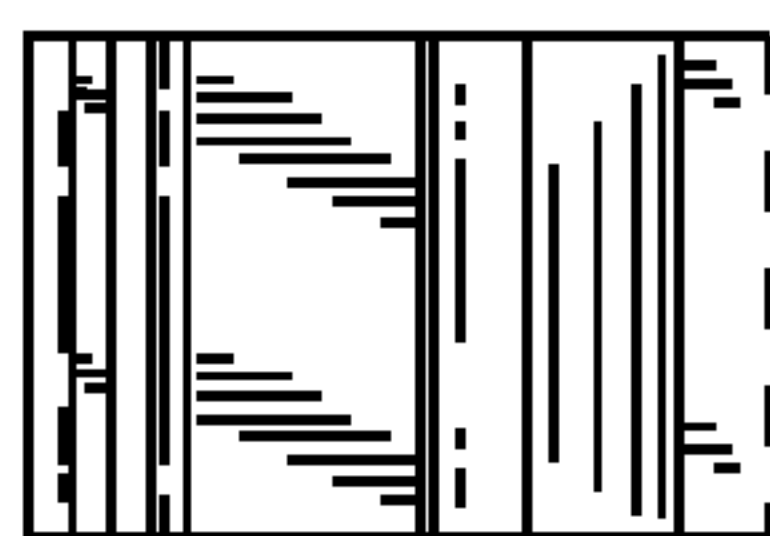


FIG. 7

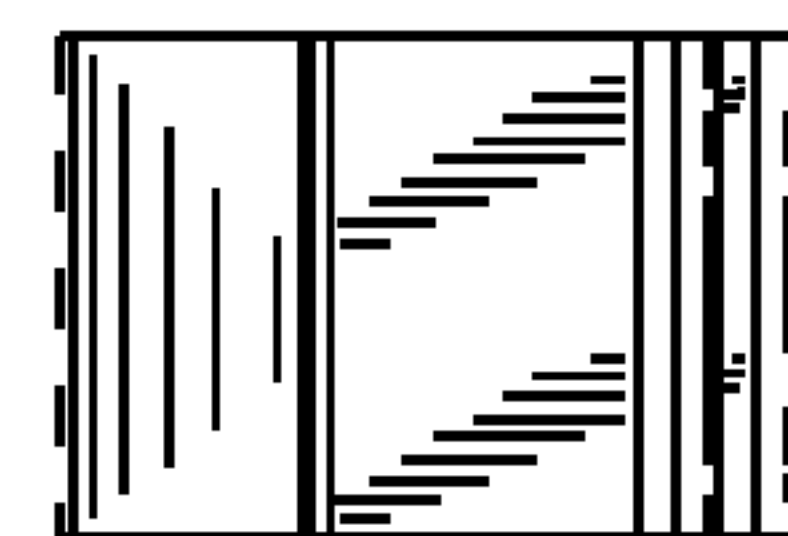


FIG. 8