



US00D610710S

(12) **United States Design Patent**  
**LaCroix et al.**

(10) **Patent No.:** **US D610,710 S**

(45) **Date of Patent:** **\*\* Feb. 23, 2010**

(54) **WALL BLOCK**

(75) Inventors: **David M. LaCroix**, St. Paul, MN (US);  
**Robert A. MacDonald**, Plymouth, MN (US)

(73) Assignee: **Keystone Retaining Wall Systems, Inc.**,  
Bloomington, MN (US)

(\*\*) Term: **14 Years**

(21) Appl. No.: **29/327,515**

(22) Filed: **Nov. 7, 2008**

(51) **LOC (9) Cl.** ..... **25-01**

(52) **U.S. Cl.** ..... **D25/113**

(58) **Field of Classification Search** ..... D25/102,  
D25/112-118, 119, 164; D21/484-491,  
D21/499-502; 405/16, 17, 33, 35, 284, 286;  
52/503-505, 574, 575, 596-605, 609-612;  
404/29-31, 34

See application file for complete search history.

(56) **References Cited**

U.S. PATENT DOCUMENTS

D62,880 S \* 8/1923 Castellani ..... D25/113

(Continued)

*Primary Examiner*—T. Chase Nelson

*Assistant Examiner*—Anhdao Doan

(74) *Attorney, Agent, or Firm*—Popovich, Wiles &  
O'Connell, P.A.

(57) **CLAIM**

The ornamental design for a wall block, as shown and described.

**DESCRIPTION**

FIG. 1 is a front, bottom perspective view of a first embodiment of a wall block according to my new design;

FIG. 2 is a rear, bottom perspective view thereof;

FIG. 3 is a bottom plan view thereof;

FIG. 4 is a top plan view thereof;

FIG. 5 is a front elevational view thereof;

FIG. 6 is a rear elevational view thereof;

FIG. 7 is a left side elevational view thereof;

FIG. 8 is a right side elevational view thereof;

FIG. 9 is a front, bottom perspective view of a second embodiment of a wall block according to my new design;

FIG. 10 is a rear, bottom perspective view thereof;

FIG. 11 is a bottom plan view thereof;

FIG. 12 is a top plan view thereof;

FIG. 13 is a front elevational view thereof;

FIG. 14 is a rear elevational view thereof;

FIG. 15 is a left side elevational view thereof;

FIG. 16 is a right side elevational view thereof;

FIG. 17 is a front, bottom perspective view of a third embodiment of a wall block according to my new design;

FIG. 18 is a rear, bottom perspective view thereof;

FIG. 19 is a bottom plan view thereof;

FIG. 20 is a top plan view thereof;

FIG. 21 is a front elevational view thereof;

FIG. 22 is a rear elevational view thereof;

FIG. 23 is a left side elevational view thereof;

FIG. 24 is a right side elevational view thereof;

FIG. 25 is a front, bottom perspective view of a fourth embodiment of a wall block according to my new design;

FIG. 26 is a rear, bottom perspective view thereof;

FIG. 27 is a bottom plan view thereof;

FIG. 28 is a top plan view thereof;

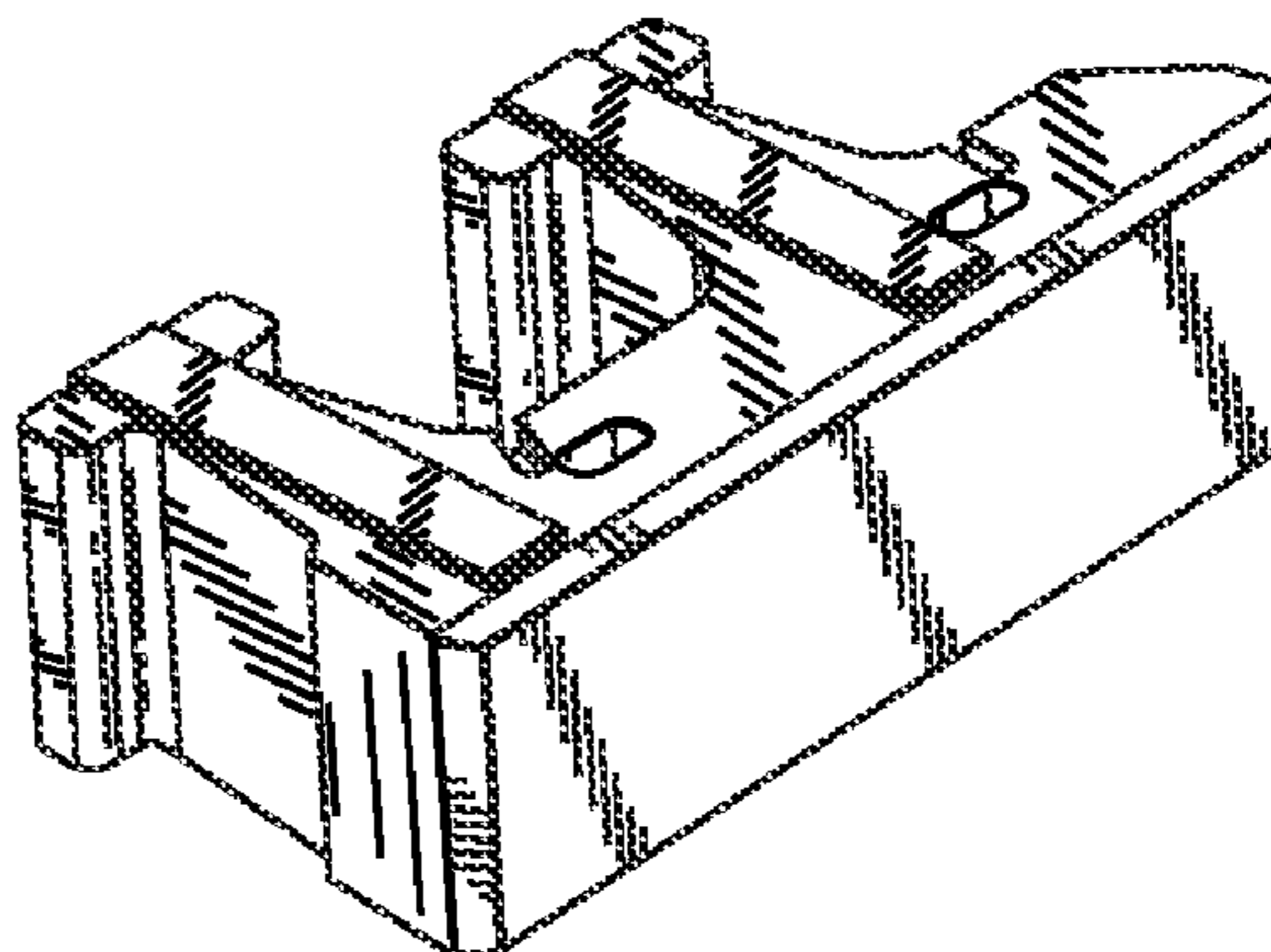
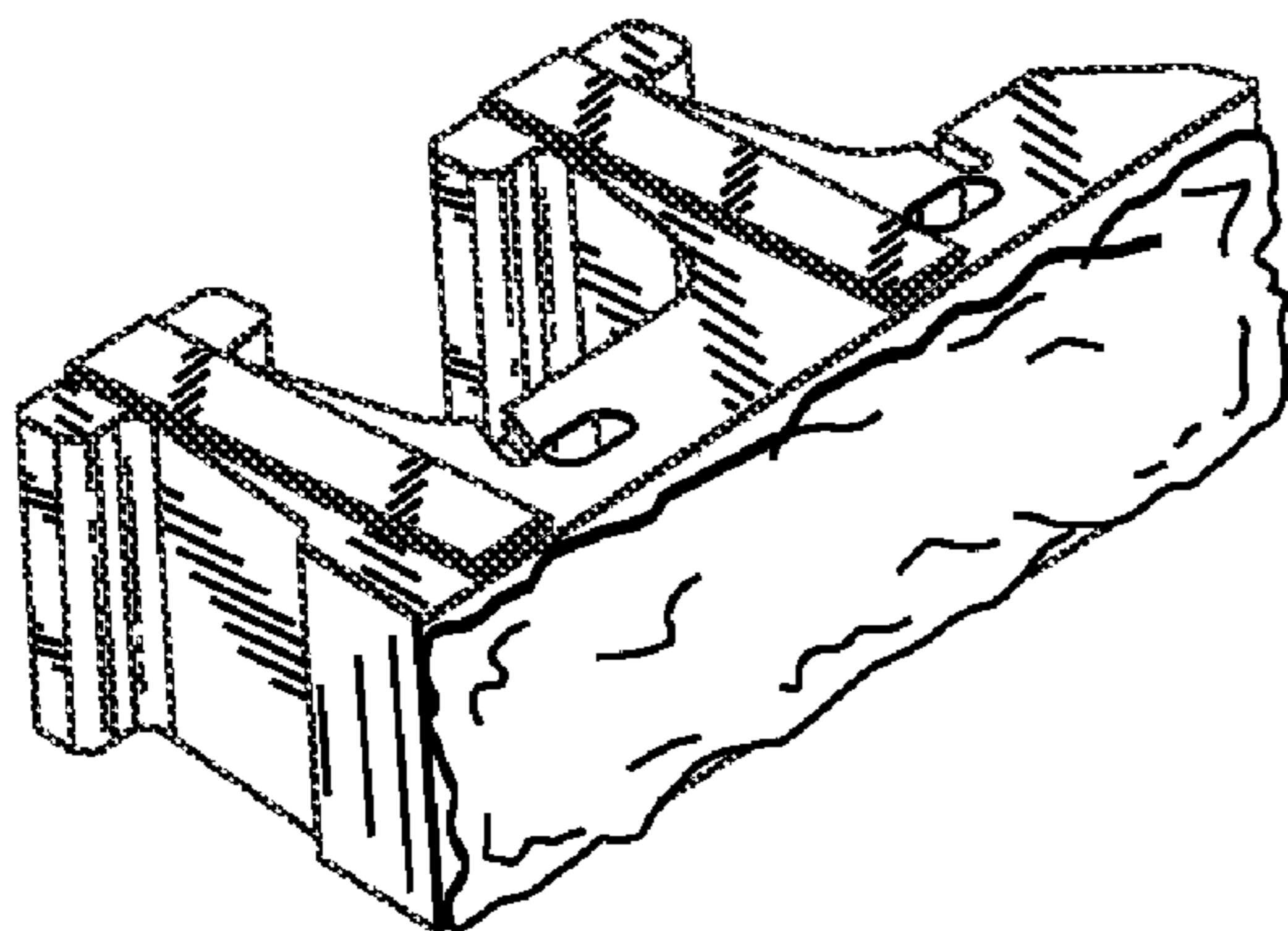
FIG. 29 is a front elevational view thereof;

FIG. 30 is a rear elevational view thereof;

FIG. 31 is a left side elevational view thereof; and,

FIG. 32 is a right side elevational view thereof.

**1 Claim, 4 Drawing Sheets**



# US D610,710 S

Page 2

---

## U.S. PATENT DOCUMENTS

D75,212 S *	5/1928	Clune .....	D25/113	D511,846 S *	11/2005	Evans .....	D25/113
D135,257 S *	3/1943	Larson .....	D25/114	D538,946 S *	3/2007	Mugge et al. ....	D25/113
D185,611 S *	6/1959	Paulson .....	D25/115	D539,436 S *	3/2007	Magliocco et al. ....	D25/113
D186,371 S *	10/1959	Johnson .....	D25/116	D556,919 S *	12/2007	Price .....	D25/116
D188,320 S *	7/1960	Frese .....	D25/113	7,497,646 B2 *	3/2009	Price .....	405/284
D392,052 S *	3/1998	Youssefian .....	D25/118	D592,318 S *	5/2009	Ruegsegger .....	D25/113
D501,935 S *	2/2005	Dawson et al. ....	D25/118	2005/0016106 A1 *	1/2005	Dawson et al. ....	52/562

\* cited by examiner

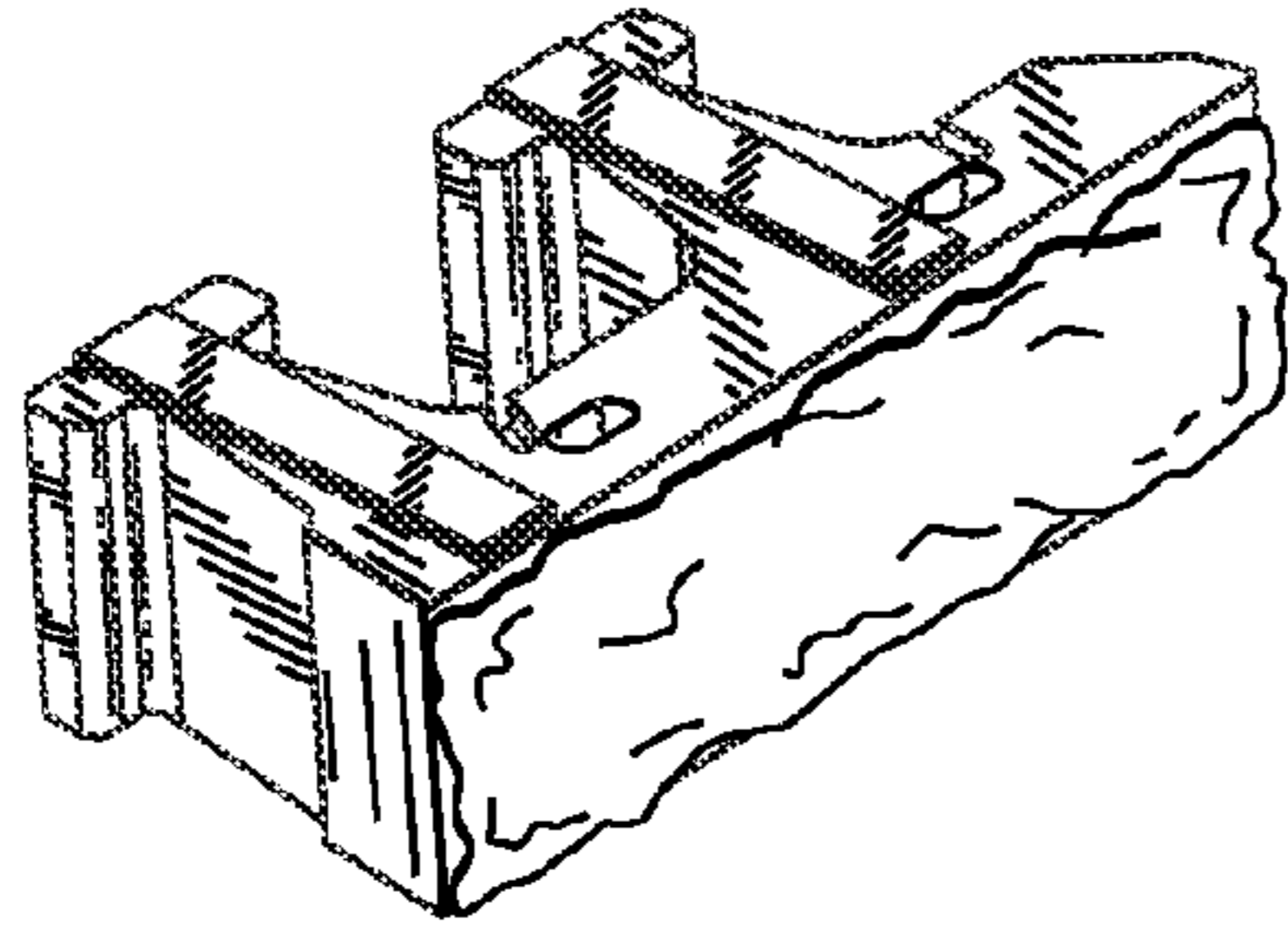


FIG. 1

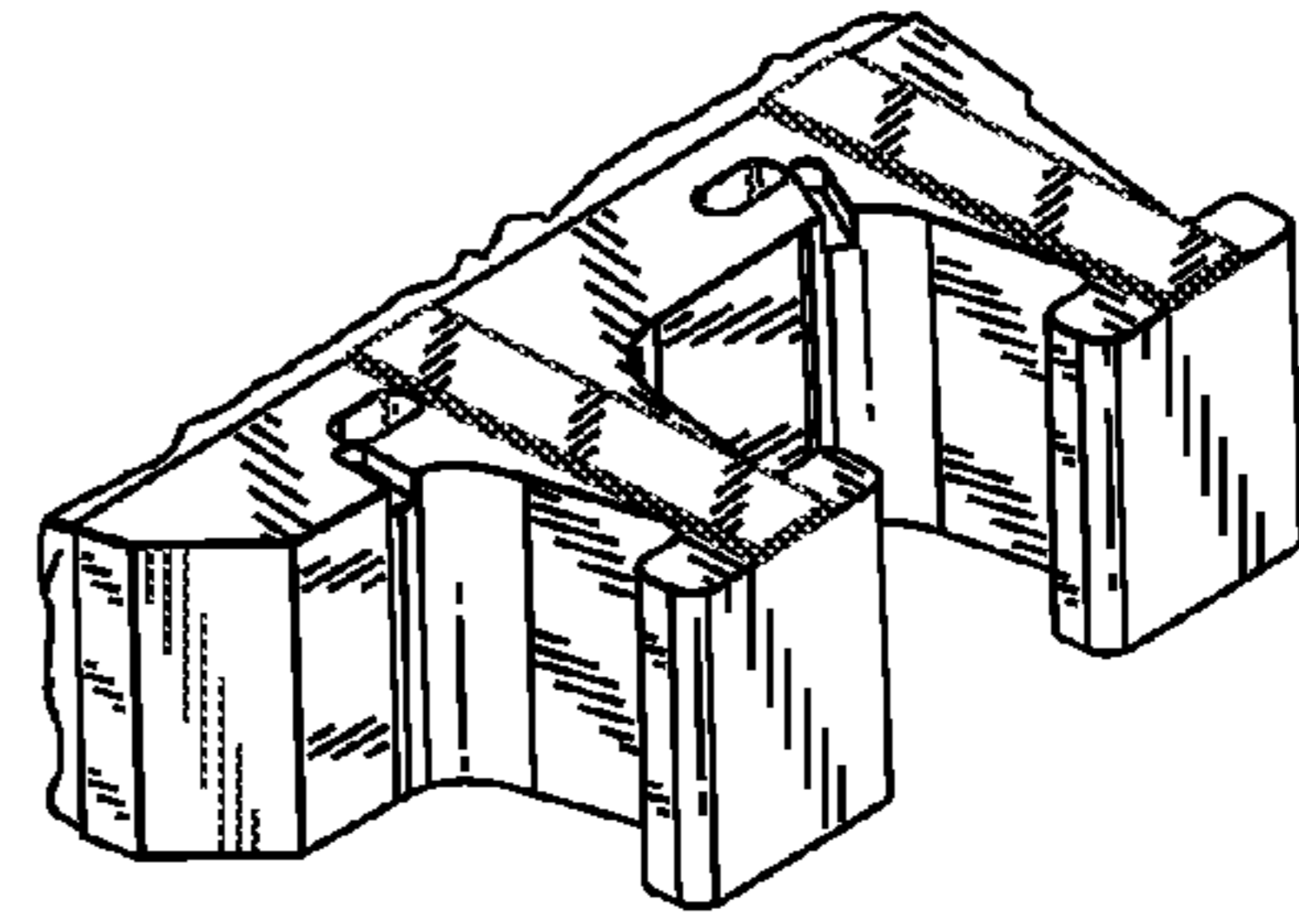


FIG. 2

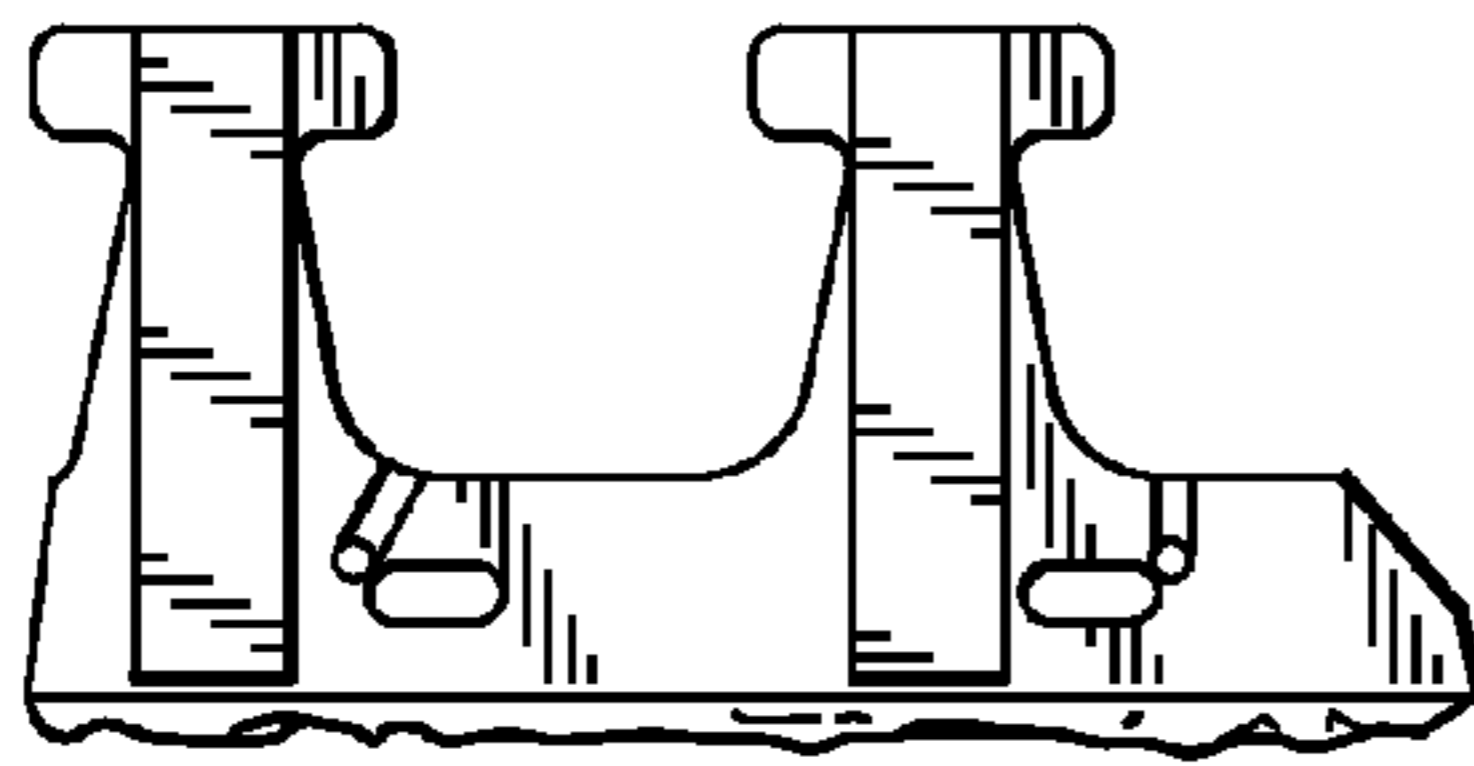


FIG. 3

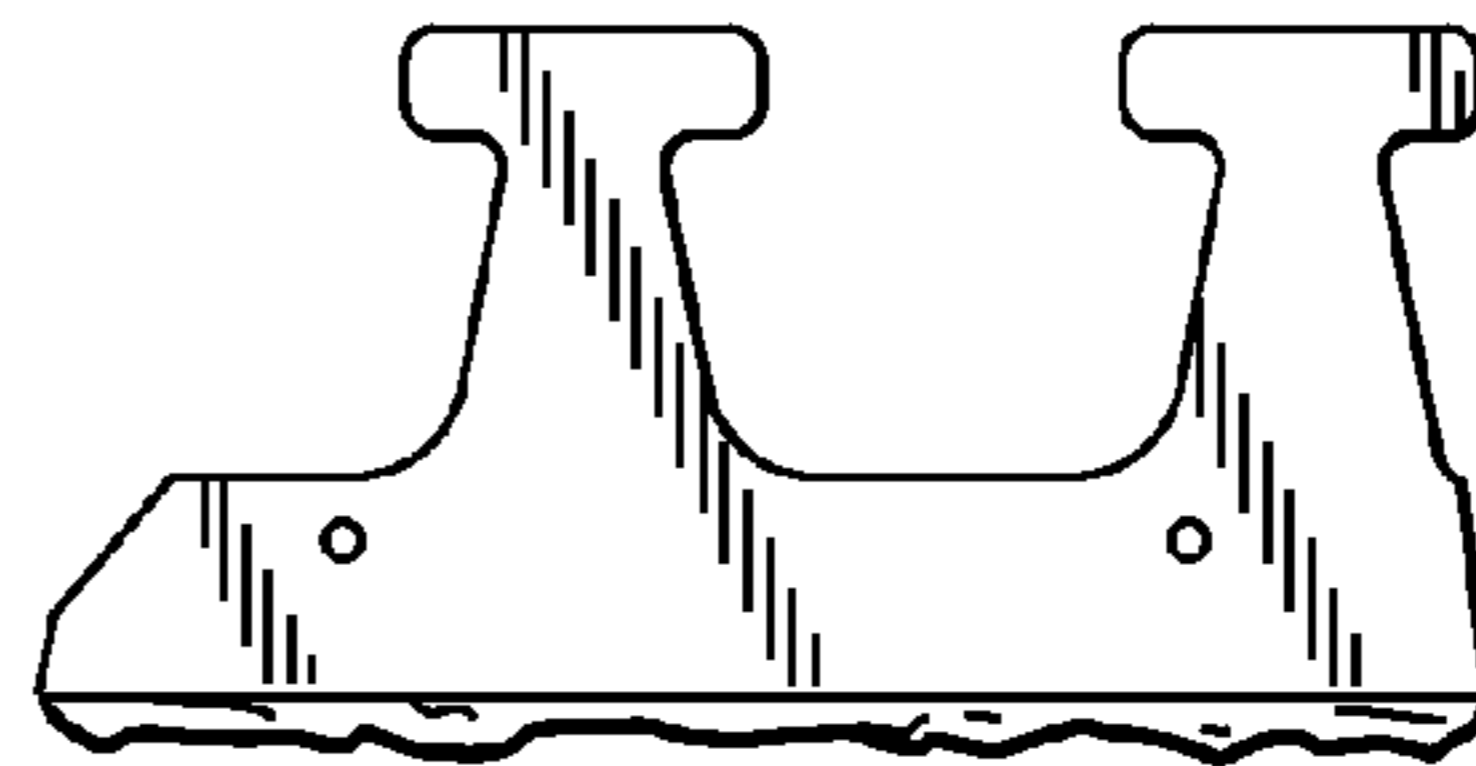


FIG. 4



FIG. 5

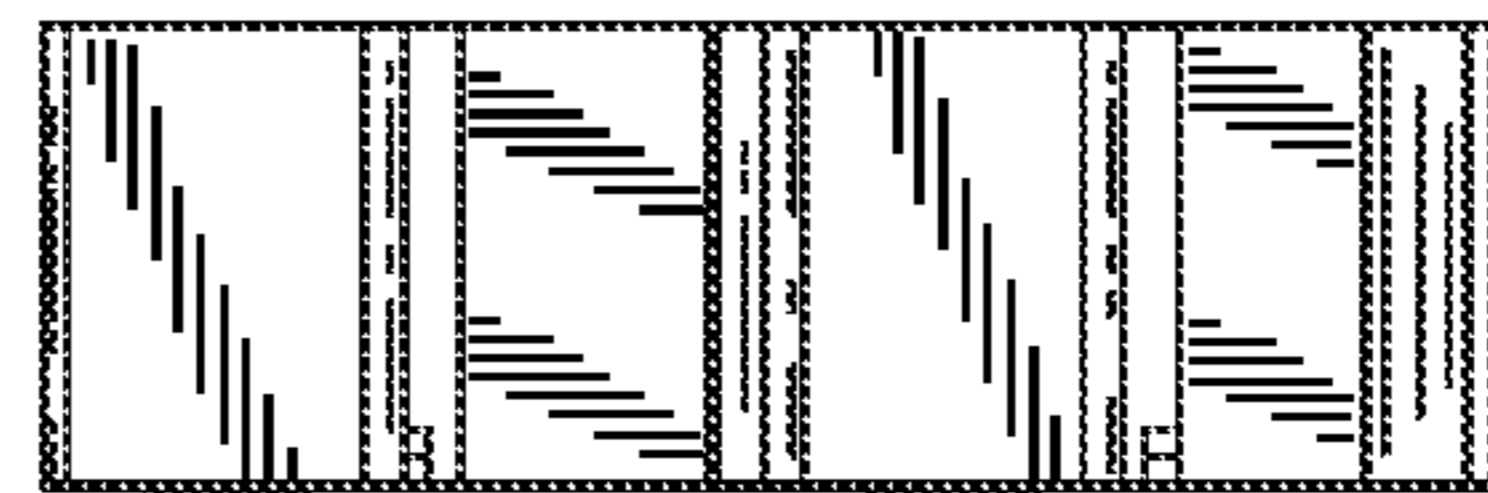


FIG. 6

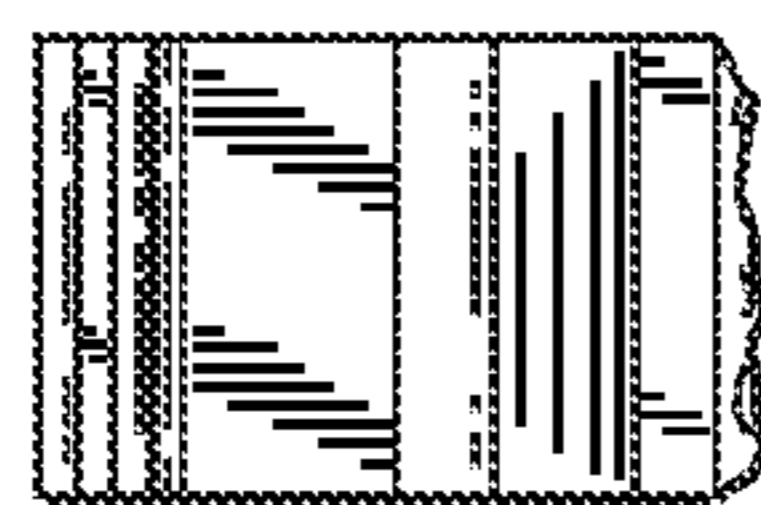


FIG. 7

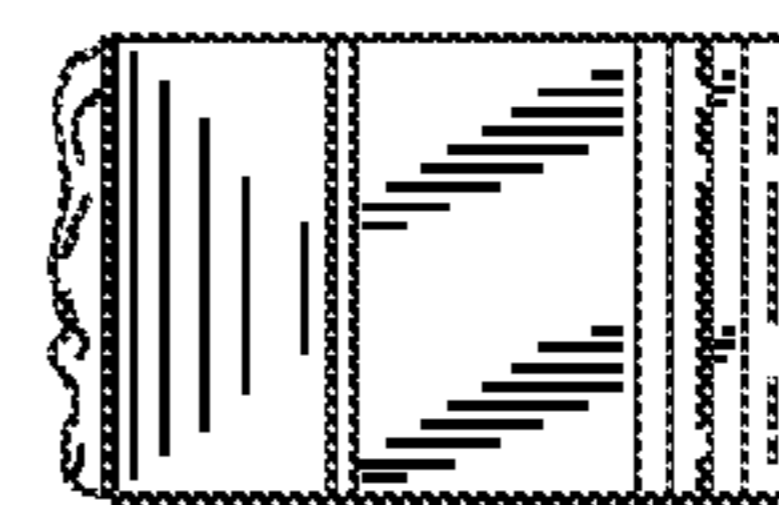


FIG. 8

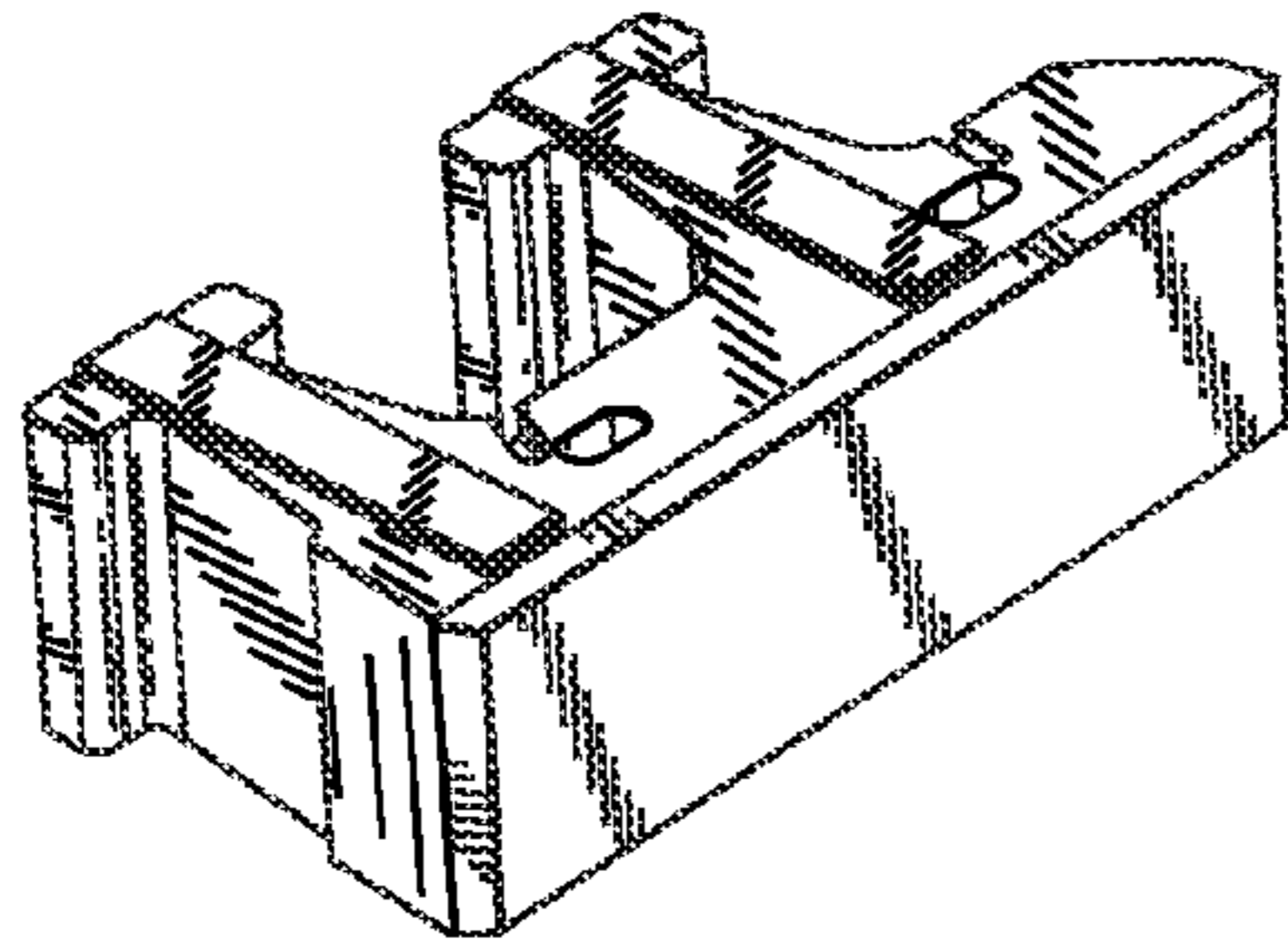


FIG. 9

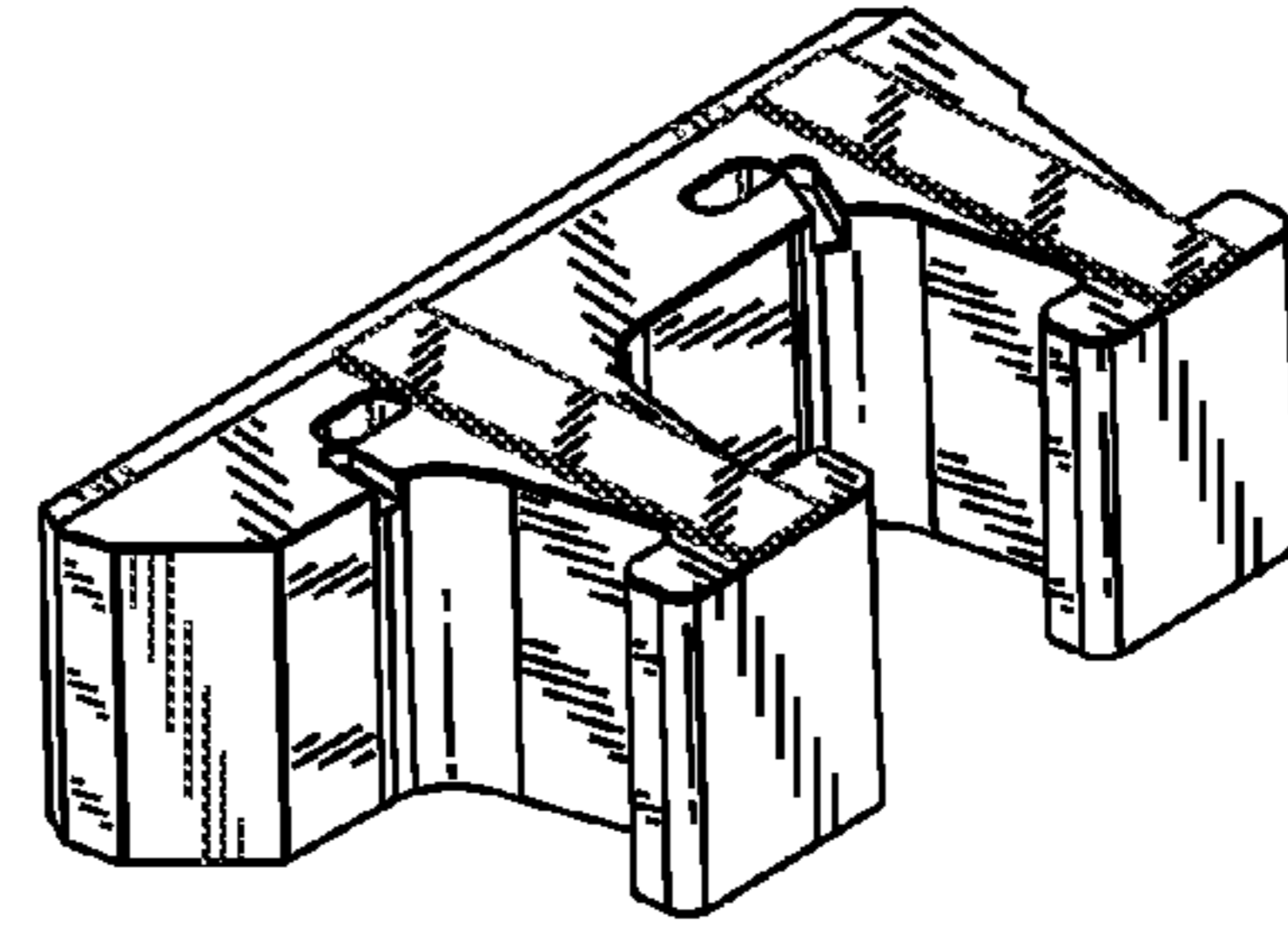


FIG. 10

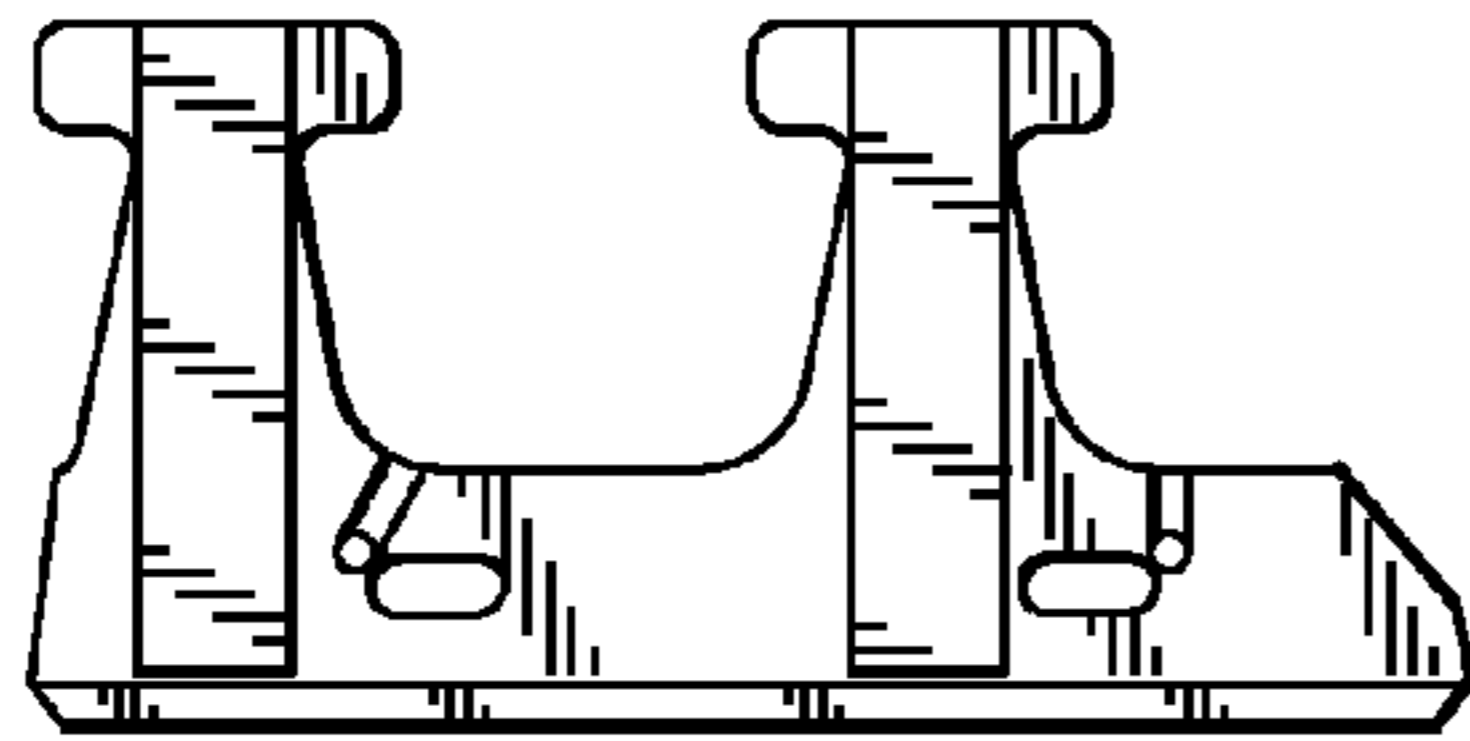


FIG. 11

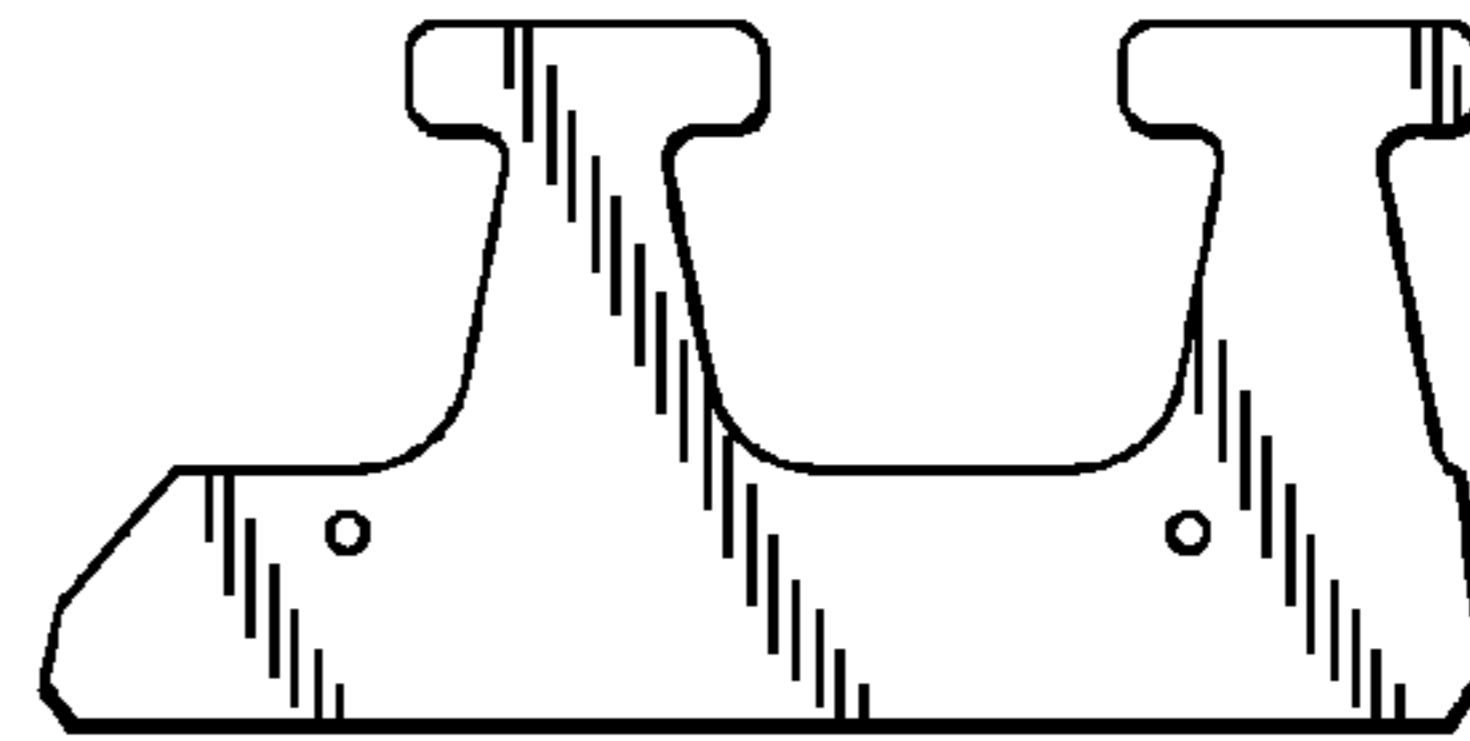


FIG. 12

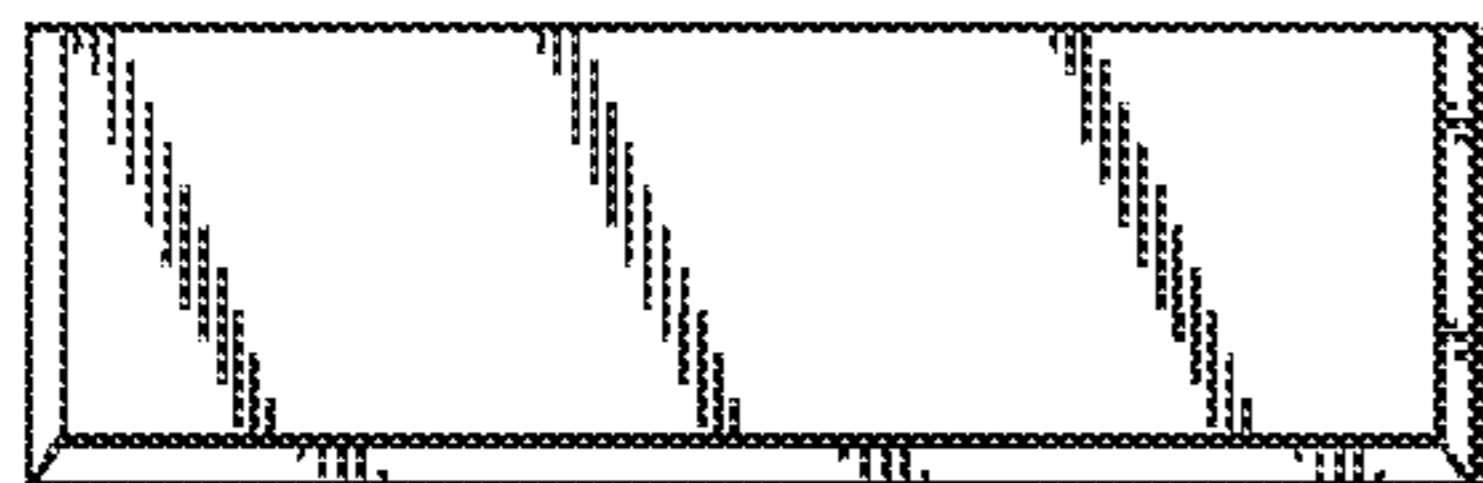


FIG. 13

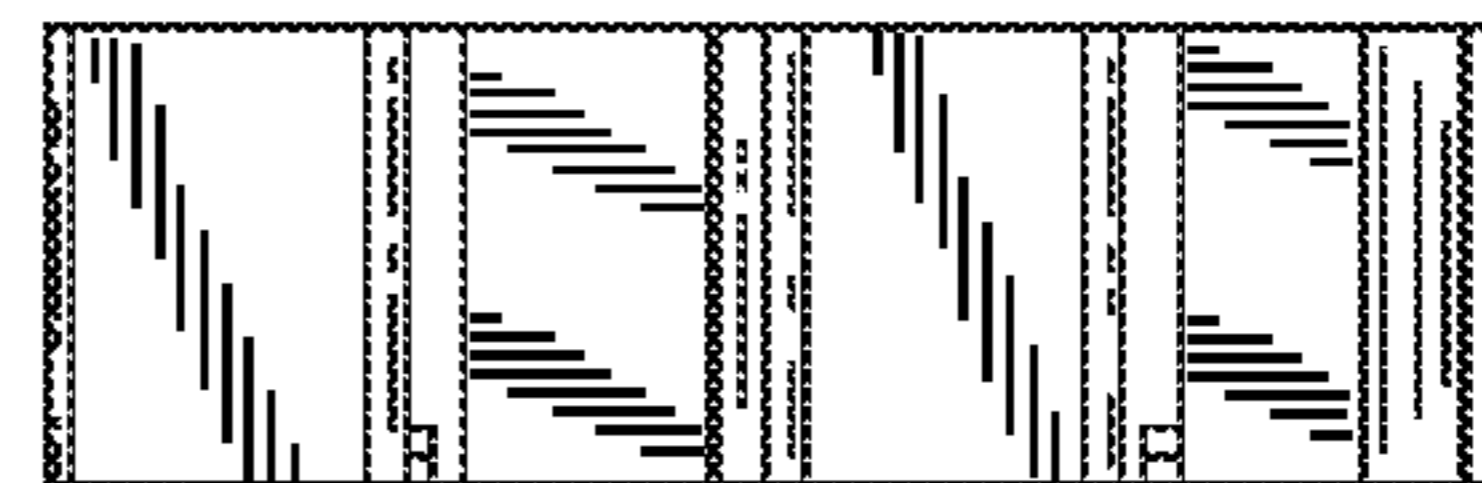


FIG. 14

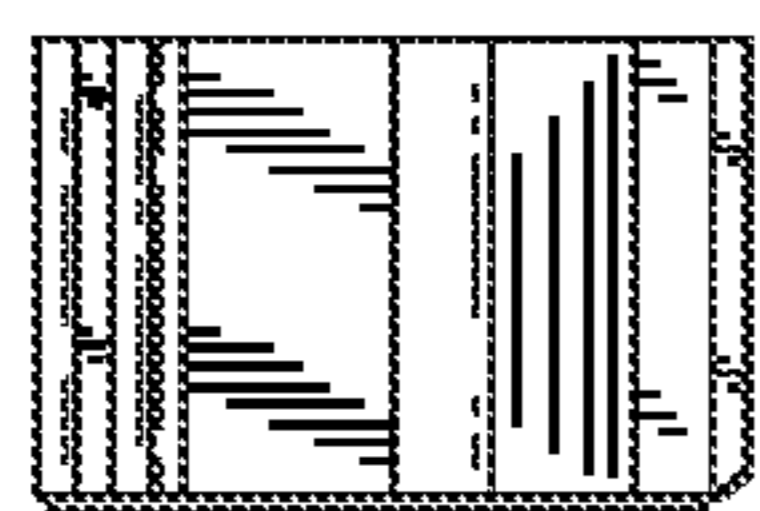


FIG. 15

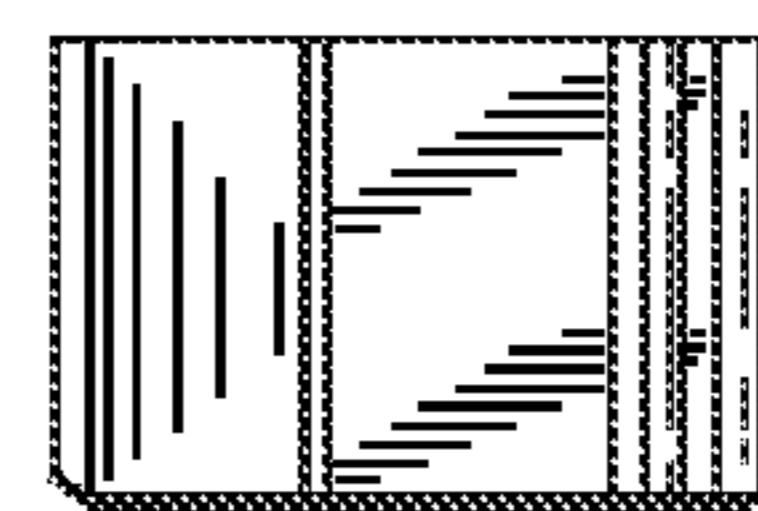


FIG. 16

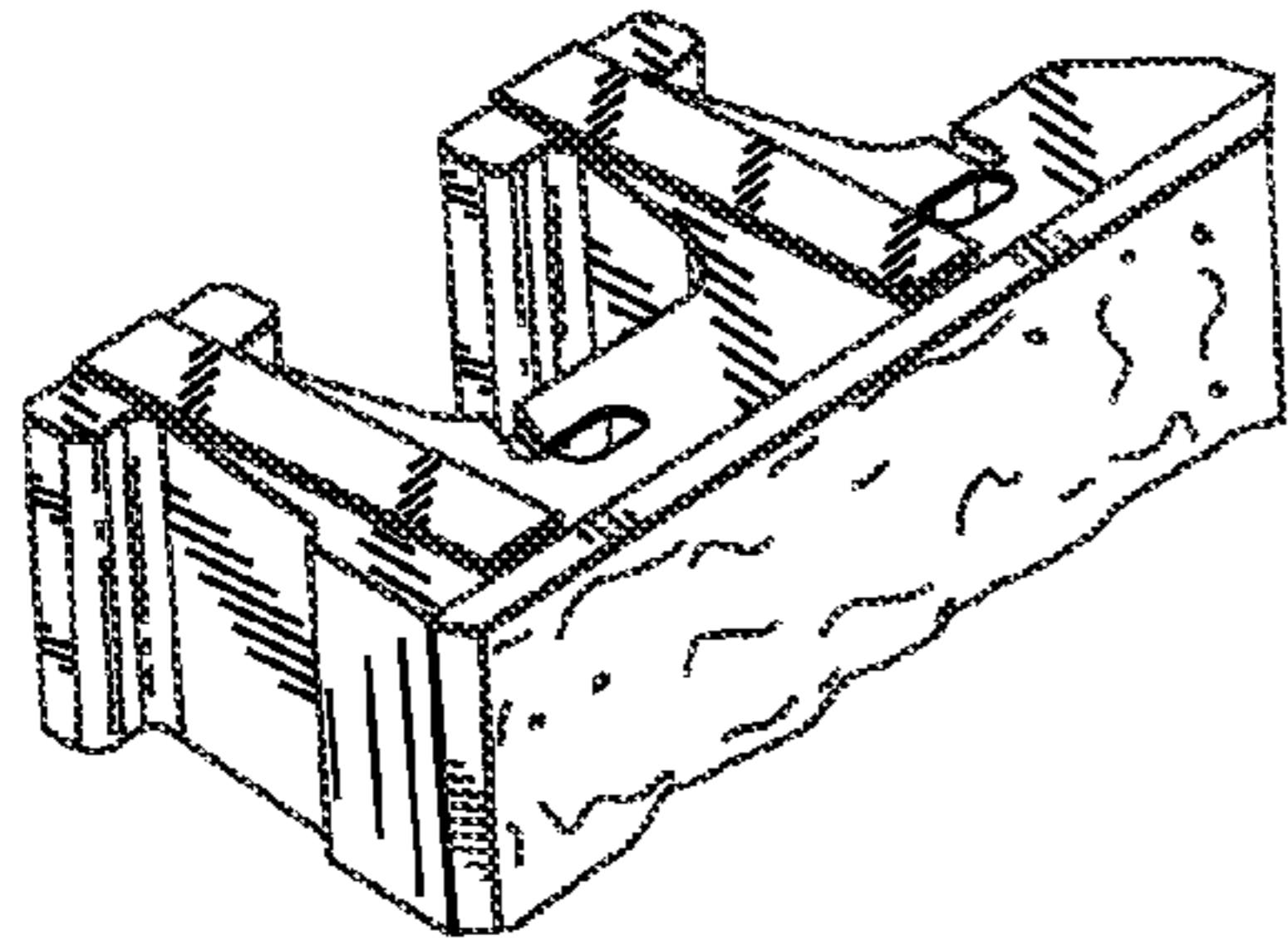


FIG. 17

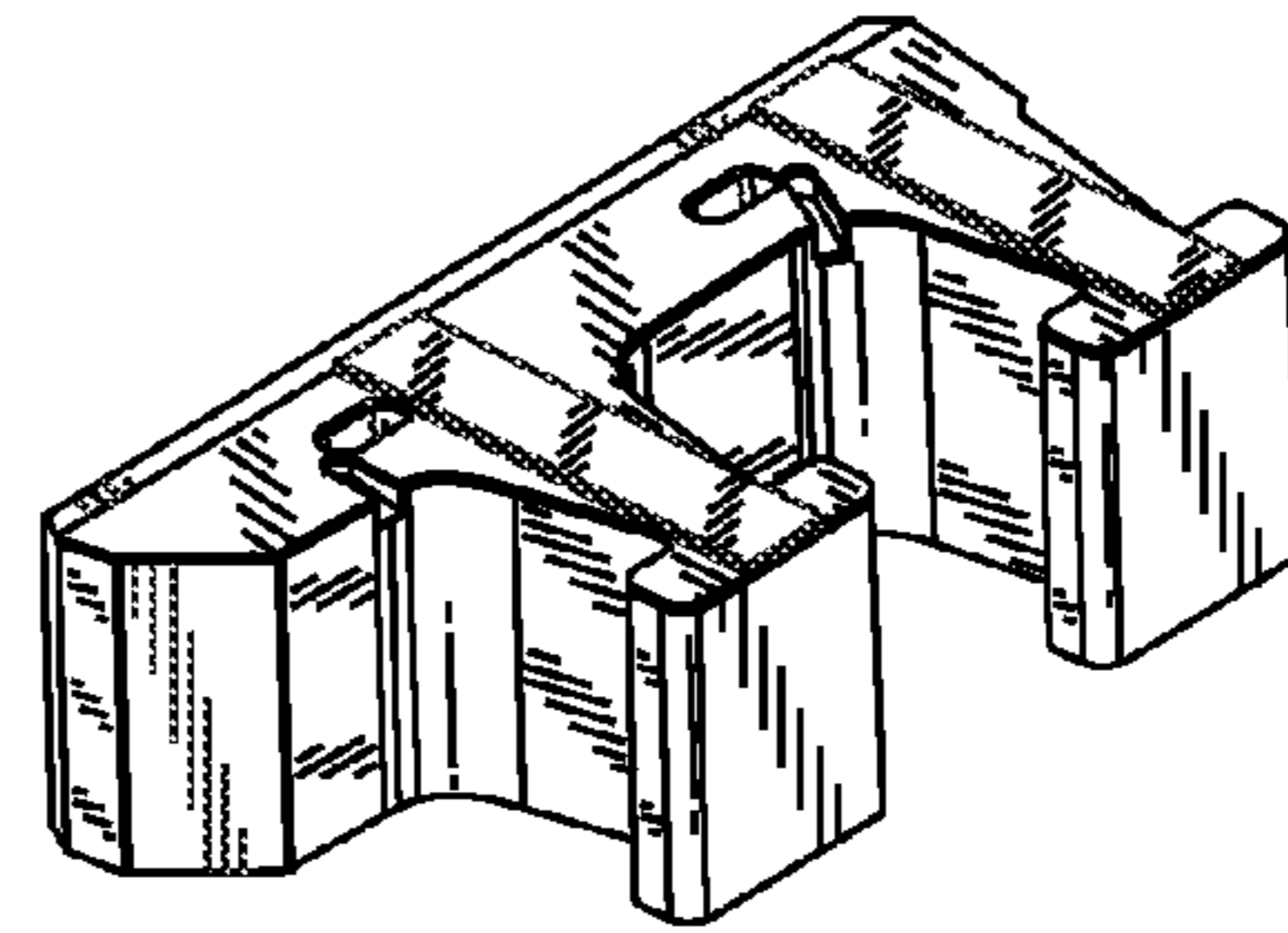


FIG. 18

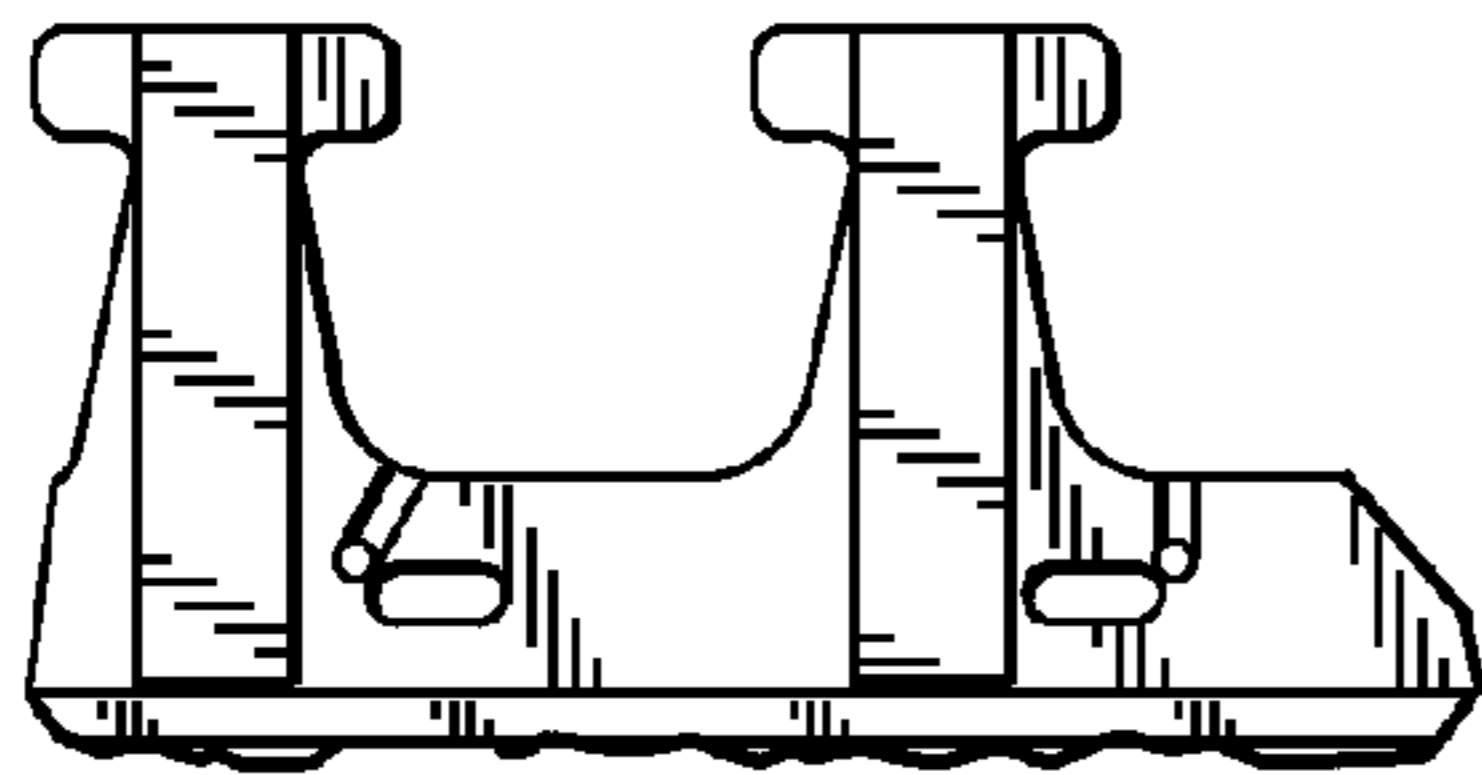


FIG. 19

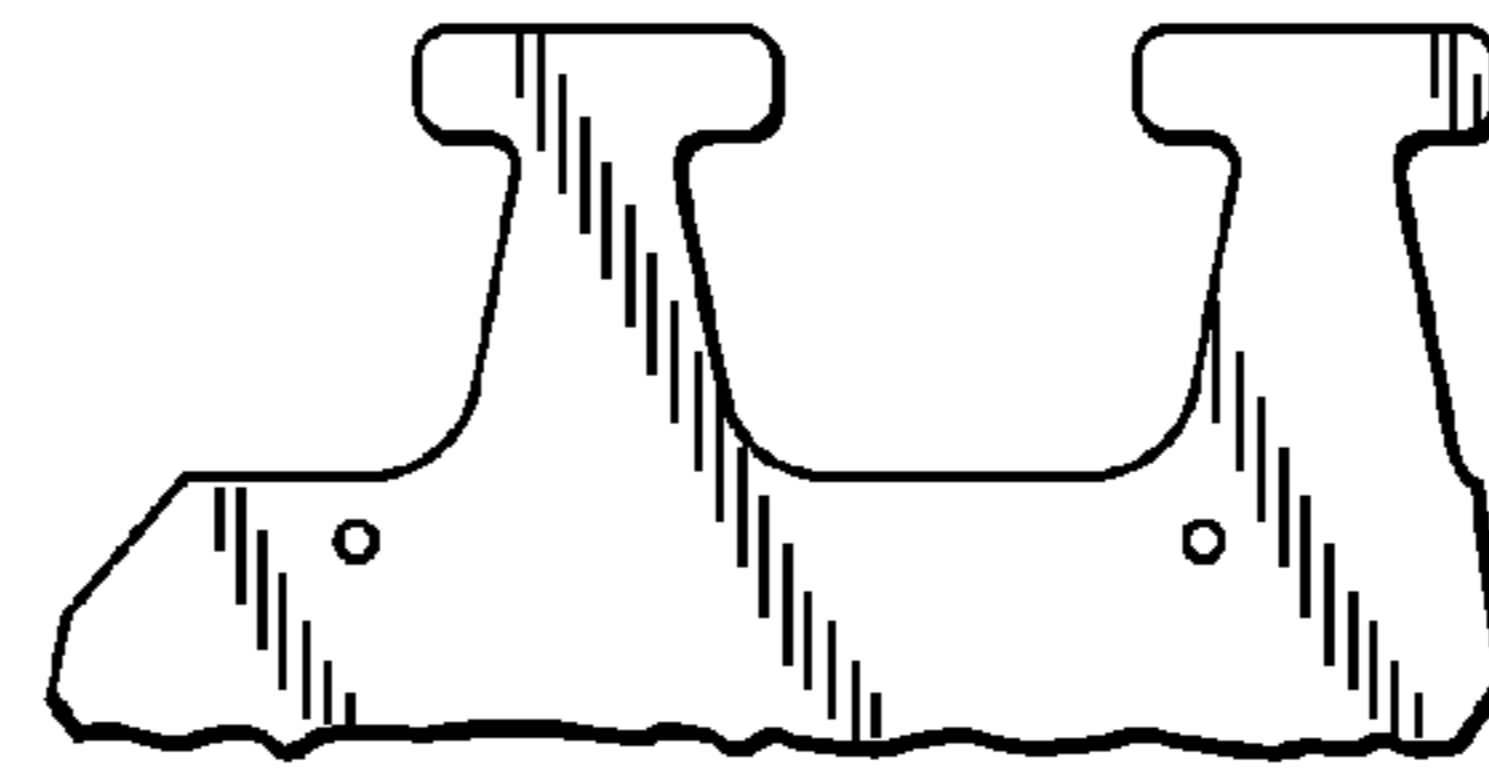


FIG. 20

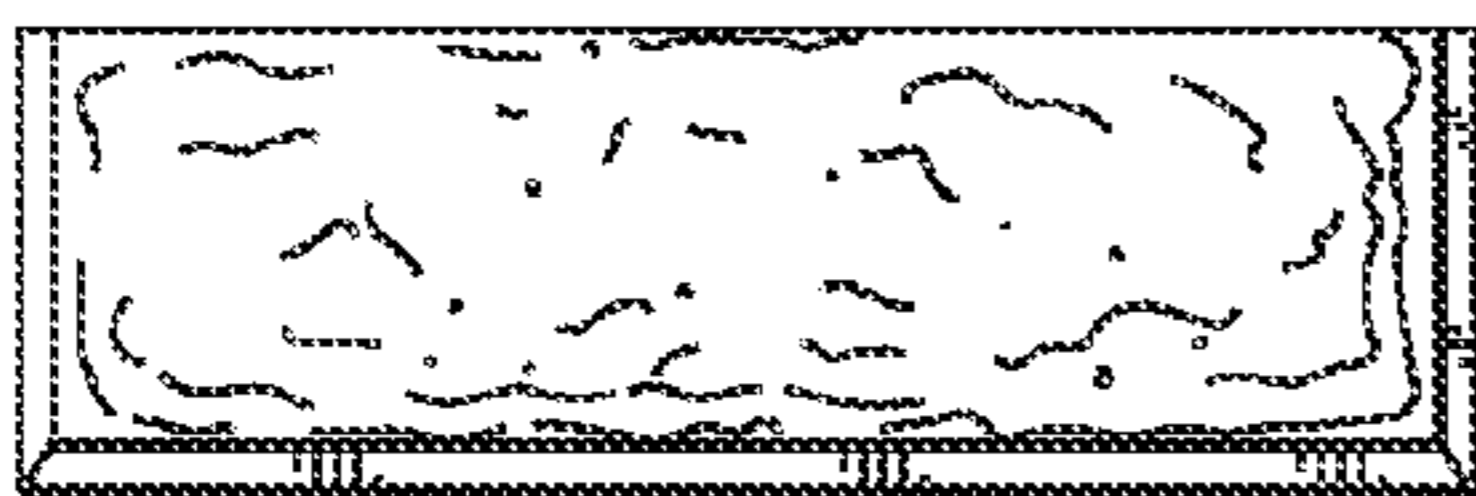


FIG. 21

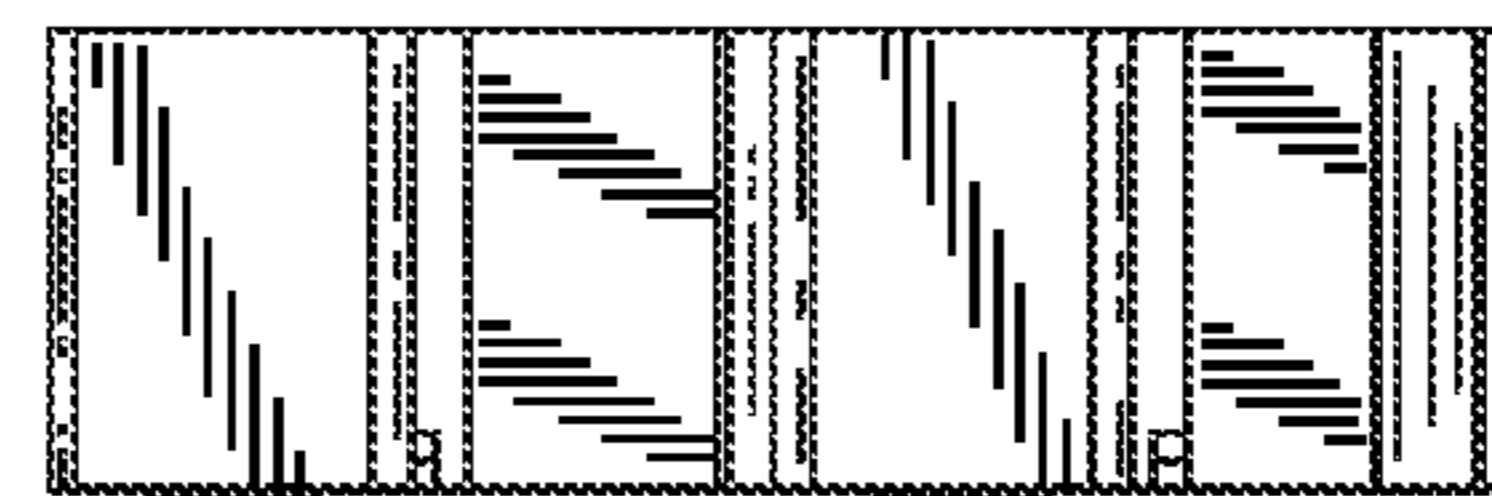


FIG. 22

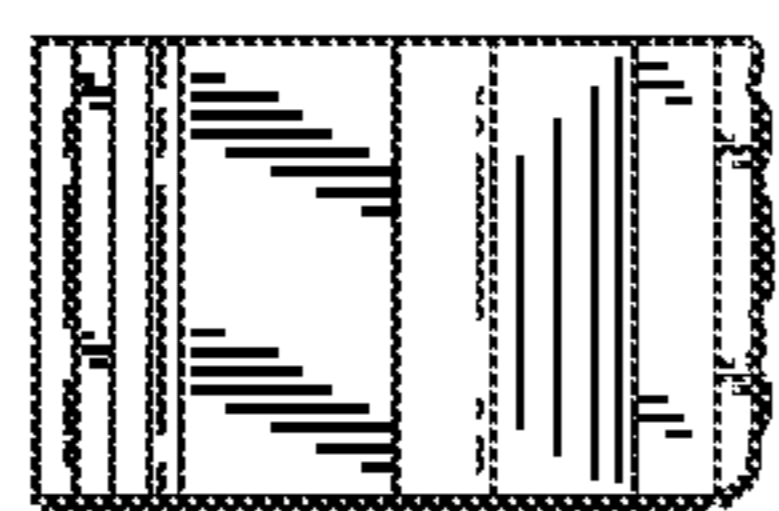


FIG. 23

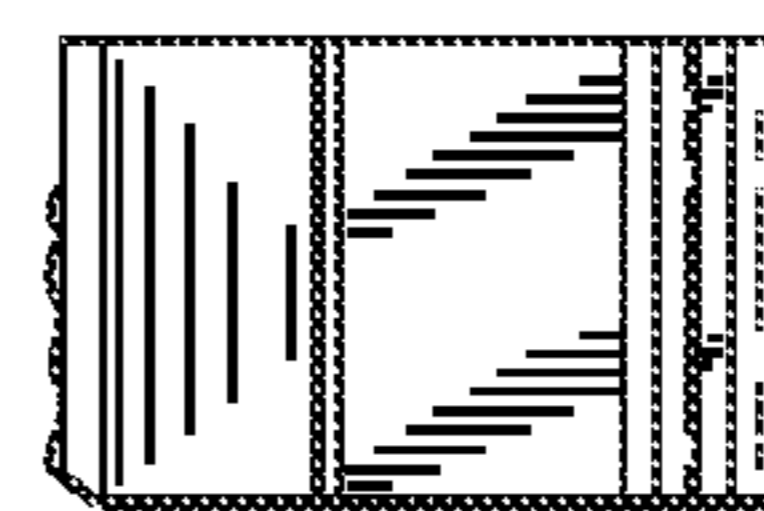


FIG. 24

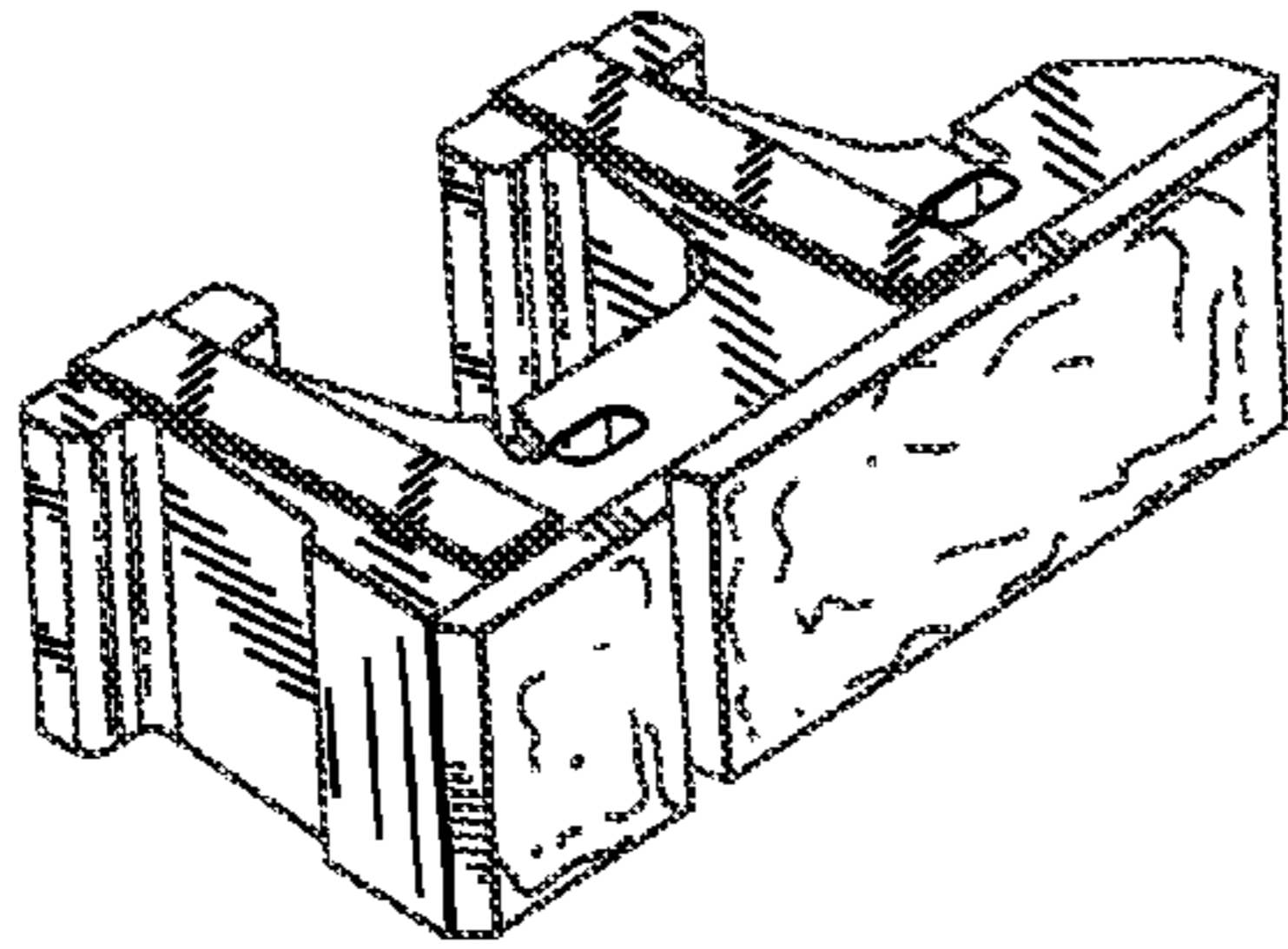


FIG. 25

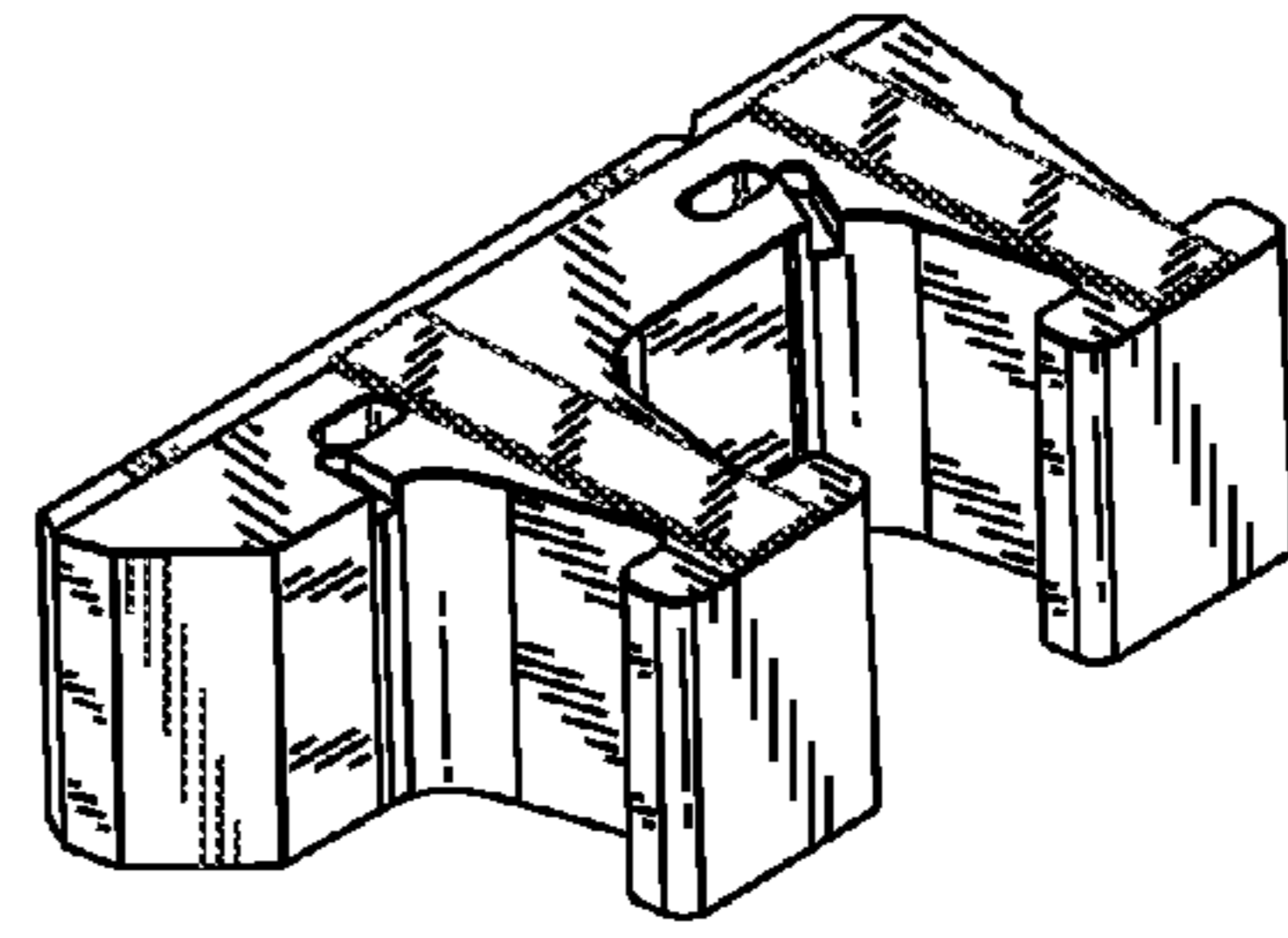


FIG. 26

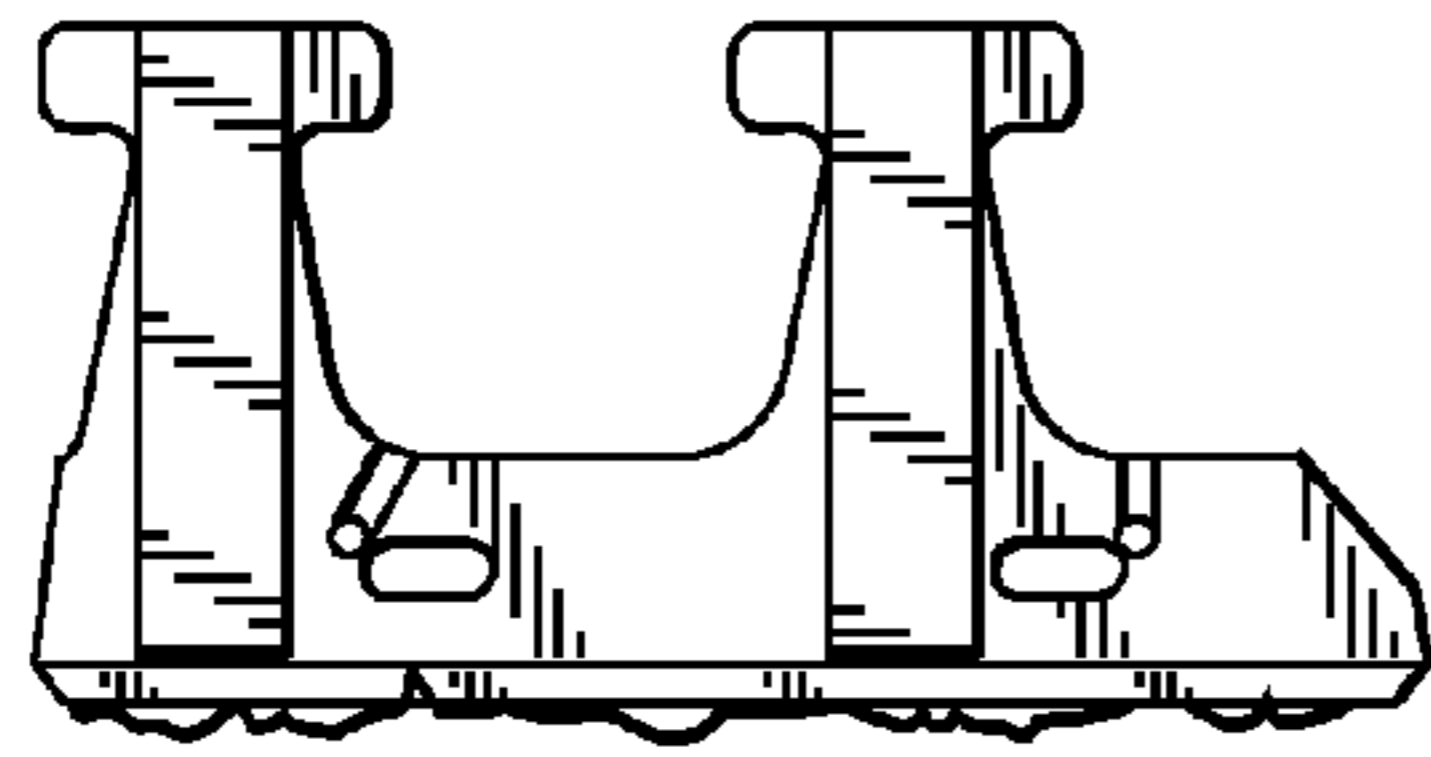


FIG. 27

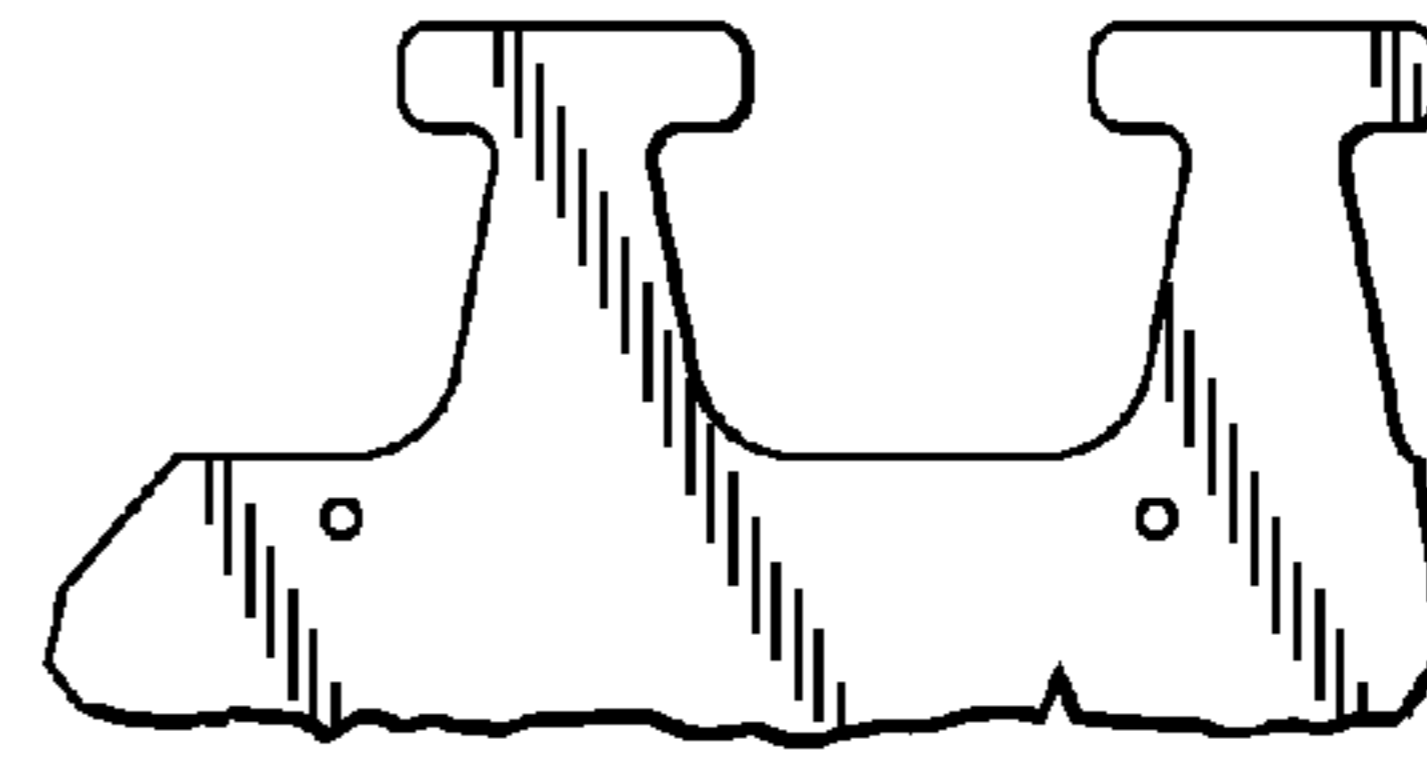


FIG. 28



FIG. 29

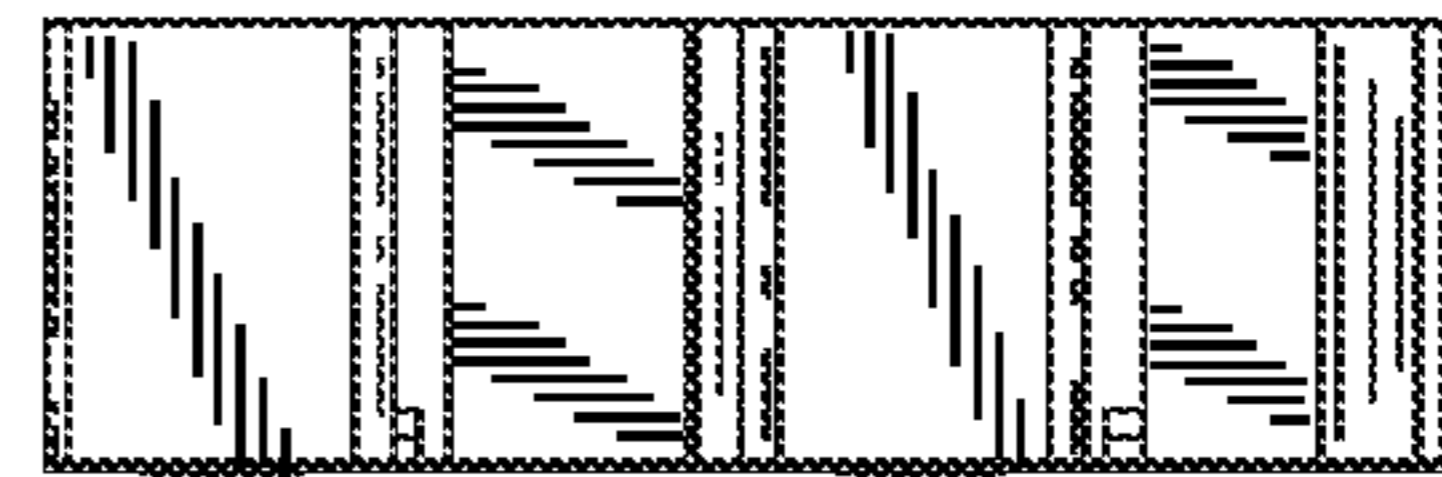


FIG. 30

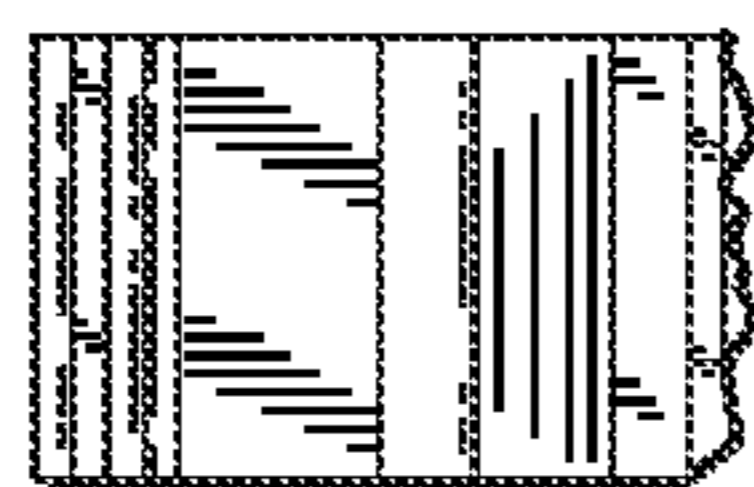


FIG. 31

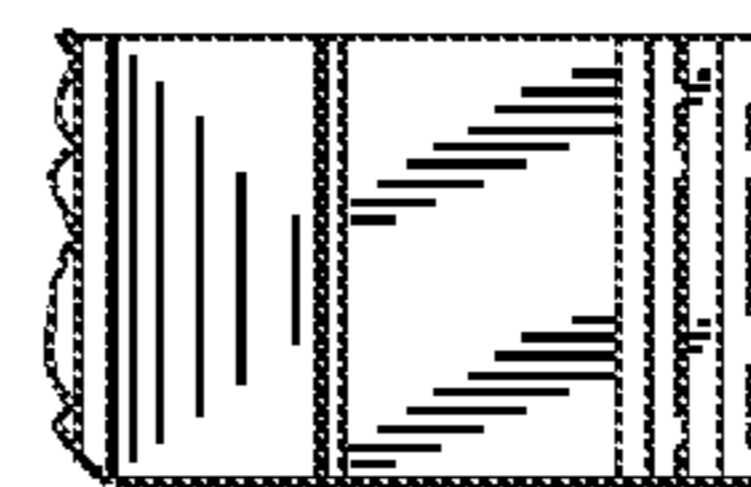


FIG. 32