



US00D610705S

(12) **United States Design Patent**
Wessels

(10) **Patent No.:** **US D610,705 S**

(45) **Date of Patent:** **** Feb. 23, 2010**

(54) **AWNING REEL**

(75) Inventor: **Bernhard Wessels**, Rheine (DE)

(73) Assignee: **Schmitz-Werke GmbH + Co. KG**,
Emsdetten (DE)

(**) Term: **14 Years**

(21) Appl. No.: **29/329,992**

(22) Filed: **Dec. 24, 2008**

(30) **Foreign Application Priority Data**

Jun. 25, 2008 (EM) 000958137-0005

(51) **LOC (9) Cl.** **25-02**

(52) **U.S. Cl.** **D25/57**

(58) **Field of Classification Search** D25/57;
160/19, 22, 45, 23.1, 24, 26, 29, 66, 67; 52/75,
52/74, 202, 203; 49/71

See application file for complete search history.

(56) **References Cited**

U.S. PATENT DOCUMENTS

D167,524 S * 8/1952 Moore D25/57

4,615,371 A * 10/1986 Clauss 160/22

D292,874 S * 11/1987 Clauss D8/377
5,333,663 A * 8/1994 Eger 160/22
5,365,989 A * 11/1994 Eger et al. 160/22
6,363,664 B1 * 4/2002 Brutsaert 52/74

* cited by examiner

Primary Examiner—Doris Clark

(74) *Attorney, Agent, or Firm*—Browdy and Neimark, PLLC

(57) **CLAIM**

The ornamental design for an awning reel, as shown and described.

DESCRIPTION

FIG. 1 is a front view of an awning reel, showing my new design;

FIG. 2 is a rear view thereof;

FIG. 3 is a top view thereof;

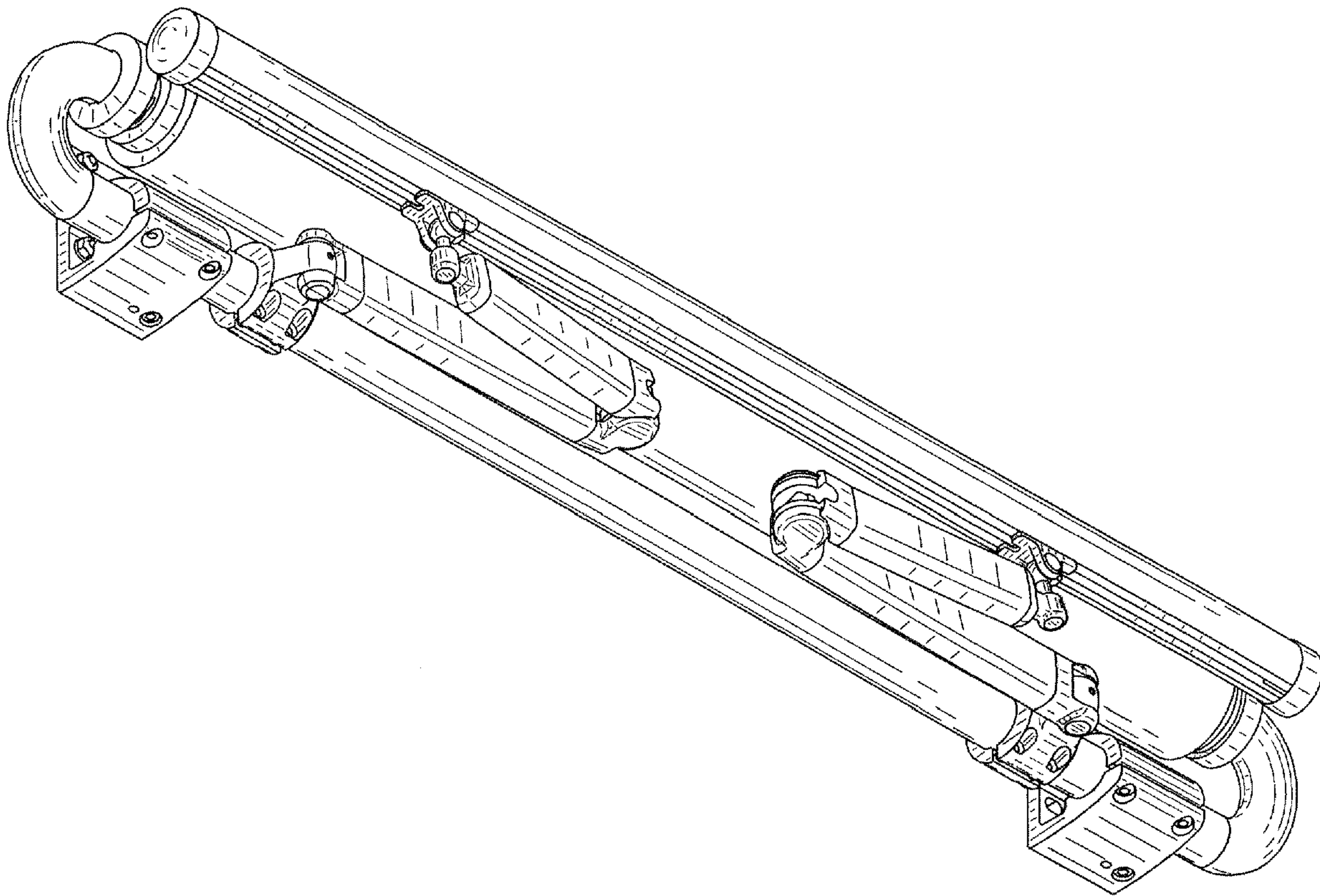
FIG. 4 is a bottom view thereof;

FIG. 5 is a lateral view (right side) thereof;

FIG. 6 is a lateral view (left side) thereof; and,

FIG. 7 is a perspective view thereof.

1 Claim, 3 Drawing Sheets



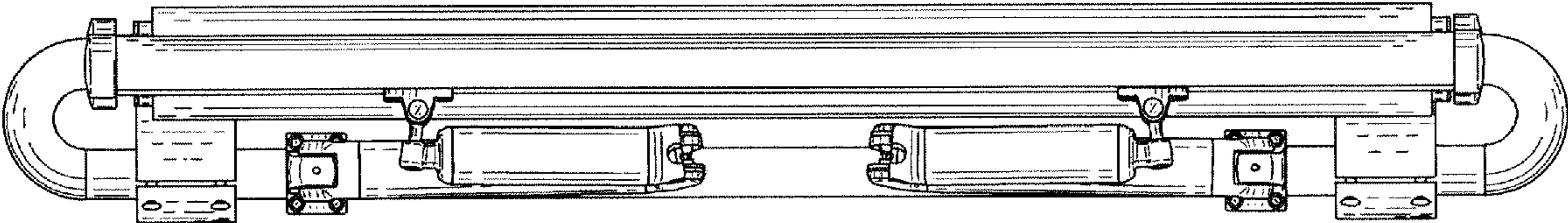


FIG. 1

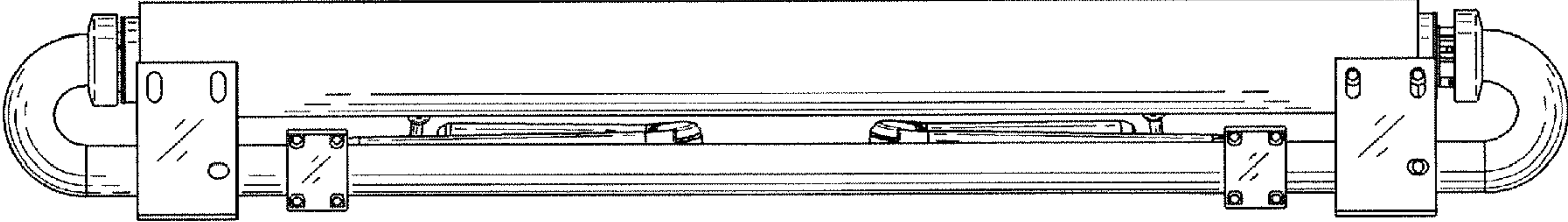


FIG. 2

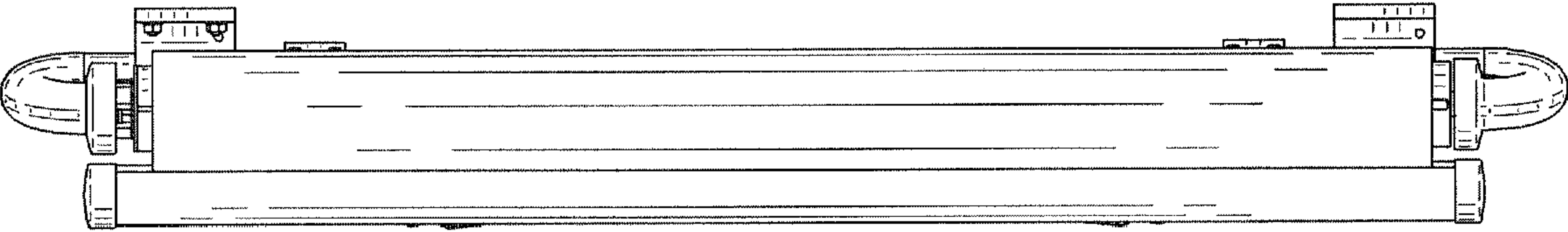


FIG. 3

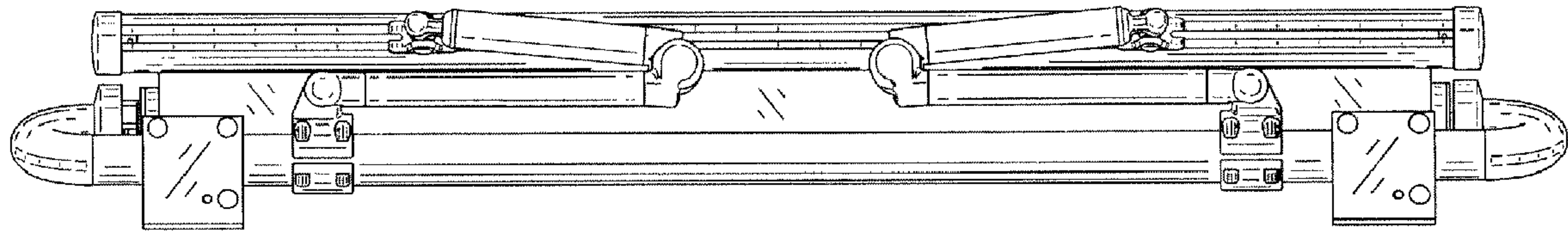


FIG. 4

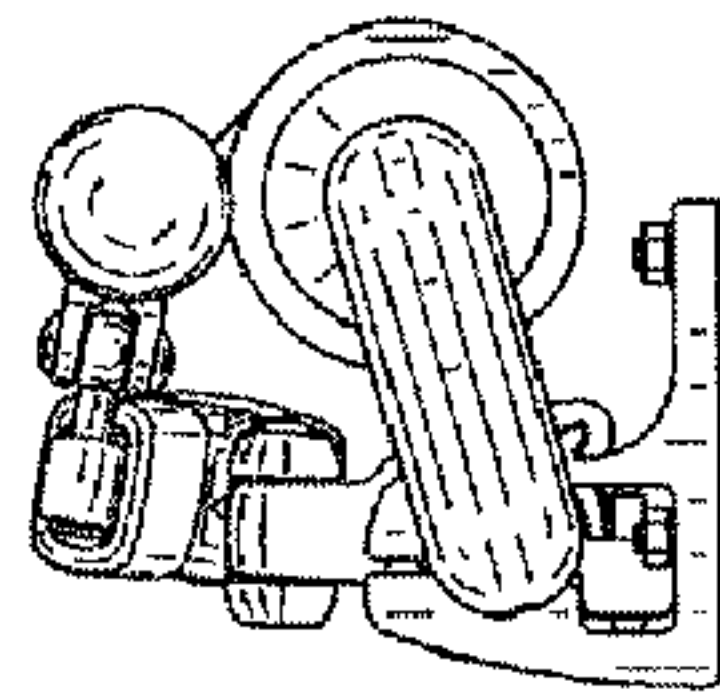


FIG. 5

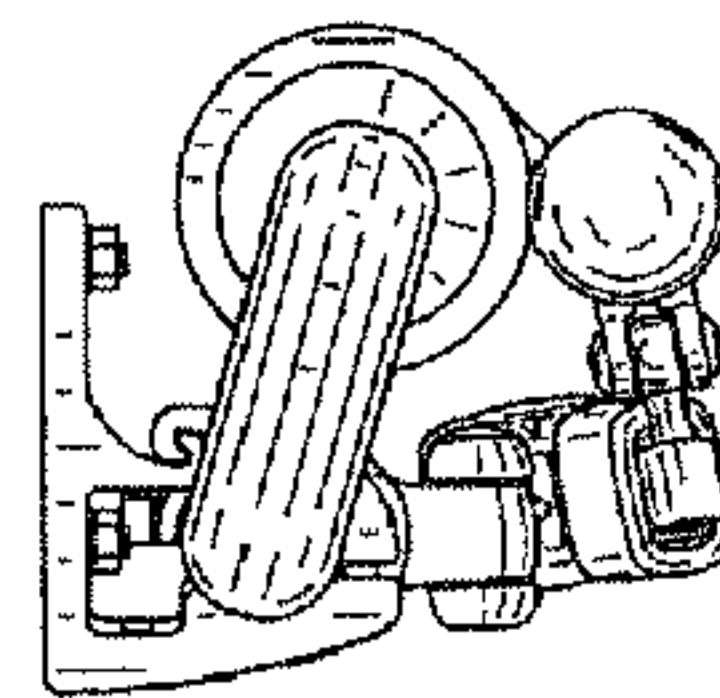


FIG. 6

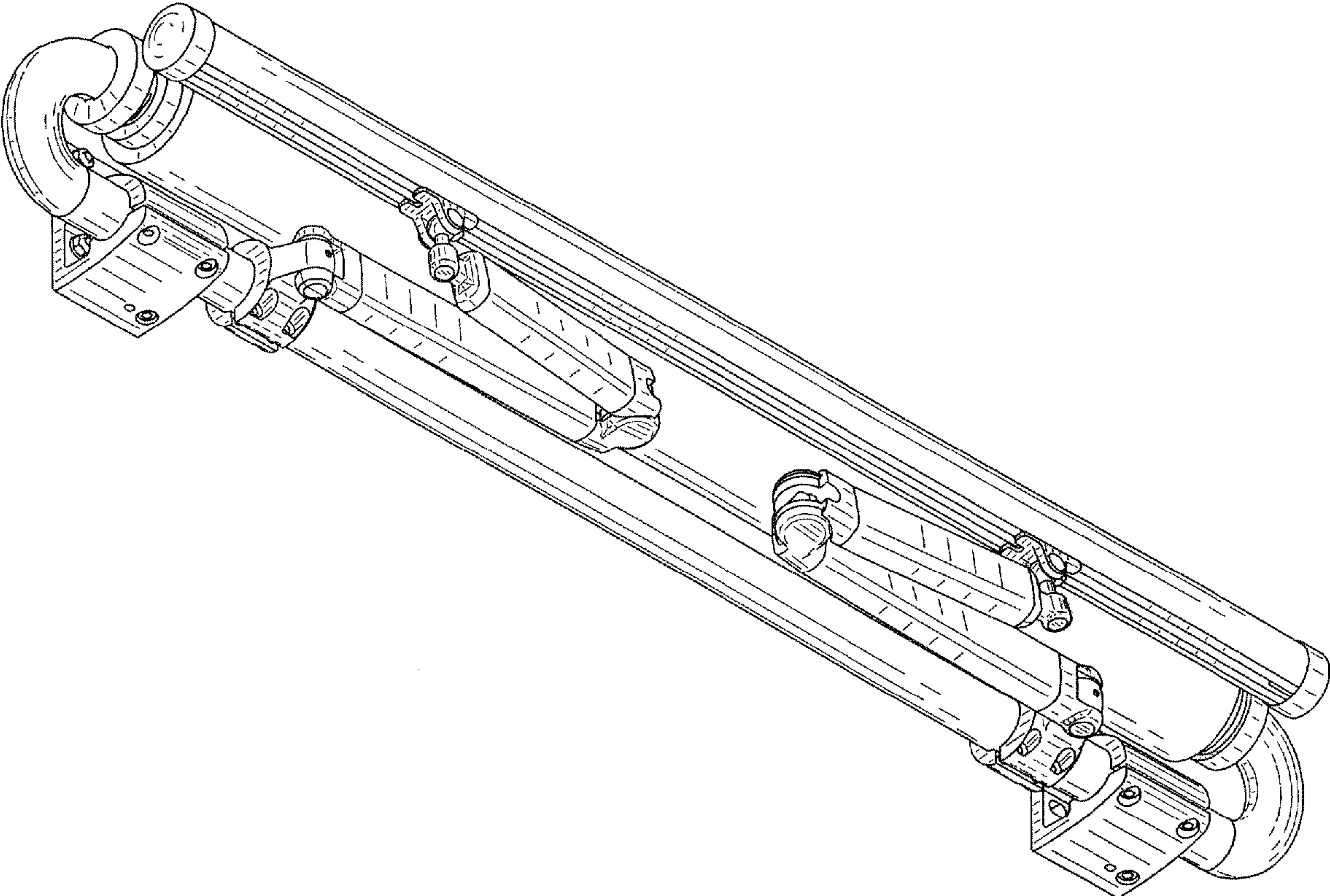


FIG. 7