



US00D610701S

(12) **United States Design Patent**
Cravens

(10) **Patent No.:** **US D610,701 S**
(45) **Date of Patent:** **** Feb. 23, 2010**

(54) **SUBTERRANEAN EMERGENCY SHELTER**

(76) Inventor: **James Cravens**, 6232 Green Knoll Cir.,
Hamilton, OH (US) 45011

(**) Term: **14 Years**

(21) Appl. No.: **29/334,290**

(22) Filed: **Mar. 24, 2009**

Related U.S. Application Data

(63) Continuation of application No. 12/017,668, filed on
Jan. 22, 2008, now abandoned.

(51) **LOC (9) Cl.** **25-02**

(52) **U.S. Cl.** **D25/36**

(58) **Field of Classification Search** D25/1,
D25/36; 52/1, 169.5, 169.6, 81.5, 82, 86;
109/1 S

See application file for complete search history.

(56) **References Cited**

U.S. PATENT DOCUMENTS

- 465,900 A * 12/1891 Walker 52/169.6
- 795,984 A * 8/1905 Julian 454/183
- 951,192 A * 3/1910 Massey 52/20
- 2,134,651 A * 10/1938 Aten 52/20
- 2,322,923 A 6/1943 Craine
- 2,367,720 A 1/1945 Goldbeck
- 2,413,243 A 12/1946 Neff
- 2,936,504 A * 5/1960 Harris 405/266
- 3,049,835 A * 8/1962 Sundstrum 52/169.6
- 3,159,117 A * 12/1964 Rosenfeld 109/1 S
- 3,196,813 A * 7/1965 Mchugh, Jr 109/1 S
- 3,212,220 A 10/1965 Boniecki et al.
- D241,737 S * 10/1976 Stout D25/36
- D242,446 S * 11/1976 McNabb D25/36
- 3,997,025 A 12/1976 Price
- 4,226,062 A 10/1980 Doane
- D261,432 S * 10/1981 Ballard D25/36
- 4,534,144 A * 8/1985 Gustafsson et al. 52/169.6
- 4,539,780 A 9/1985 Rice
- 4,631,872 A 12/1986 Daroga
- 4,642,952 A 2/1987 Prandin

- 4,660,334 A 4/1987 McCarthy
- 4,955,166 A 9/1990 Qualline et al.
- 5,115,613 A 5/1992 McCarthy
- D337,166 S * 7/1993 Kluzek D25/36
- 5,749,181 A 5/1998 Bauman
- 5,775,043 A 7/1998 Muroi
- 5,809,936 A 9/1998 Wall
- 5,930,961 A 8/1999 Beaudet
- 5,953,866 A 9/1999 Poole
- 6,061,976 A 5/2000 Willbanks, Jr.
- 6,085,475 A 7/2000 Parks et al.
- 6,131,343 A 10/2000 Jackson, Jr.
- 6,260,312 B1 7/2001 Spene et al.
- 6,266,863 B1 7/2001 Spene et al.
- 6,385,919 B1 5/2002 McCarthy
- 6,385,920 B1 5/2002 Chandler
- 6,401,409 B1 * 6/2002 Martin 52/169.6

(Continued)

Primary Examiner—Ian Simmons
Assistant Examiner—Mark A Goodwin
(74) *Attorney, Agent, or Firm*—Wood, Herron & Evans, LLP

(57) **CLAIM**

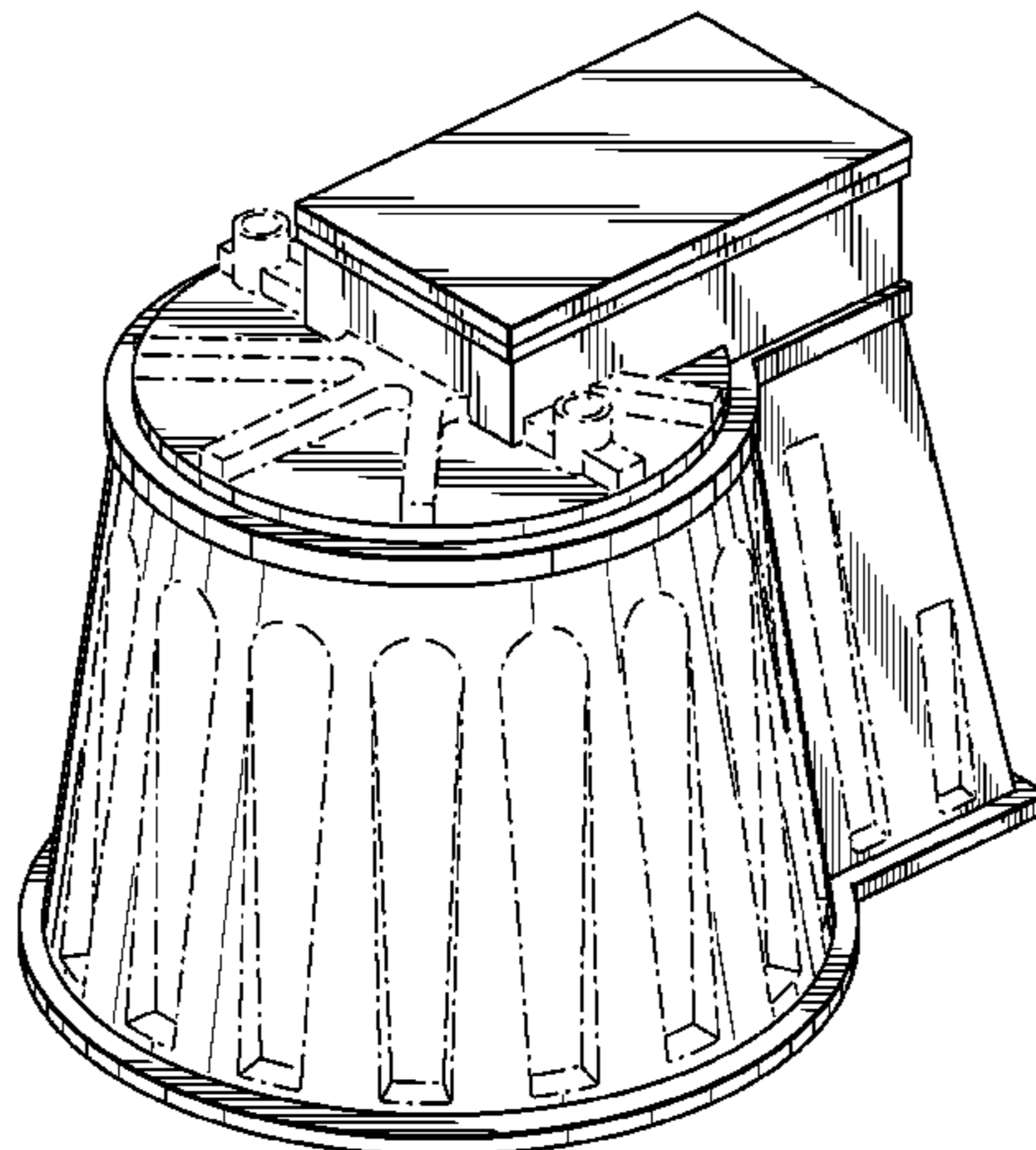
The ornamental design for the subterranean emergency shelter, as shown and described.

DESCRIPTION

- FIG. 1 is a perspective view of a subterranean emergency shelter showing my new design;
- FIG. 2 is a front elevation view thereof;
- FIG. 3 is a rear elevation view thereof;
- FIG. 4 is a right side elevation view, the left side elevation view being a mirror image thereof;
- FIG. 5 is a top plan view thereof; and,
- FIG. 6 is a bottom plan view thereof.

The broken lines in the figures of the subterranean emergency shelter are for illustrative purposes only and form no part of the claimed design.

1 Claim, 3 Drawing Sheets



US D610,701 S

Page 2

U.S. PATENT DOCUMENTS						
			2002/0046515	A1	4/2002	McCarthy
			2002/0124490	A1	9/2002	McCarthy
			2003/0009954	A1	1/2003	Bradley
			2003/0167708	A1	9/2003	Shaw et al.
			2007/0022678	A1	2/2007	Sempel
			2007/0202796	A1	8/2007	Kennedy et al.
			2008/0172954	A1*	7/2008	Cravens 52/169.6
			* cited by examiner			
6,434,896	B1	8/2002	Mitchell			
6,438,907	B1	8/2002	McCarthy			
D484,614	S *	12/2003	Charlebois	D25/36		
6,899,240	B2	5/2005	Dang et al.			
6,938,381	B1	9/2005	Villa			
6,986,226	B2	1/2006	Banks			
7,381,888	B2	6/2008	Burke et al.			

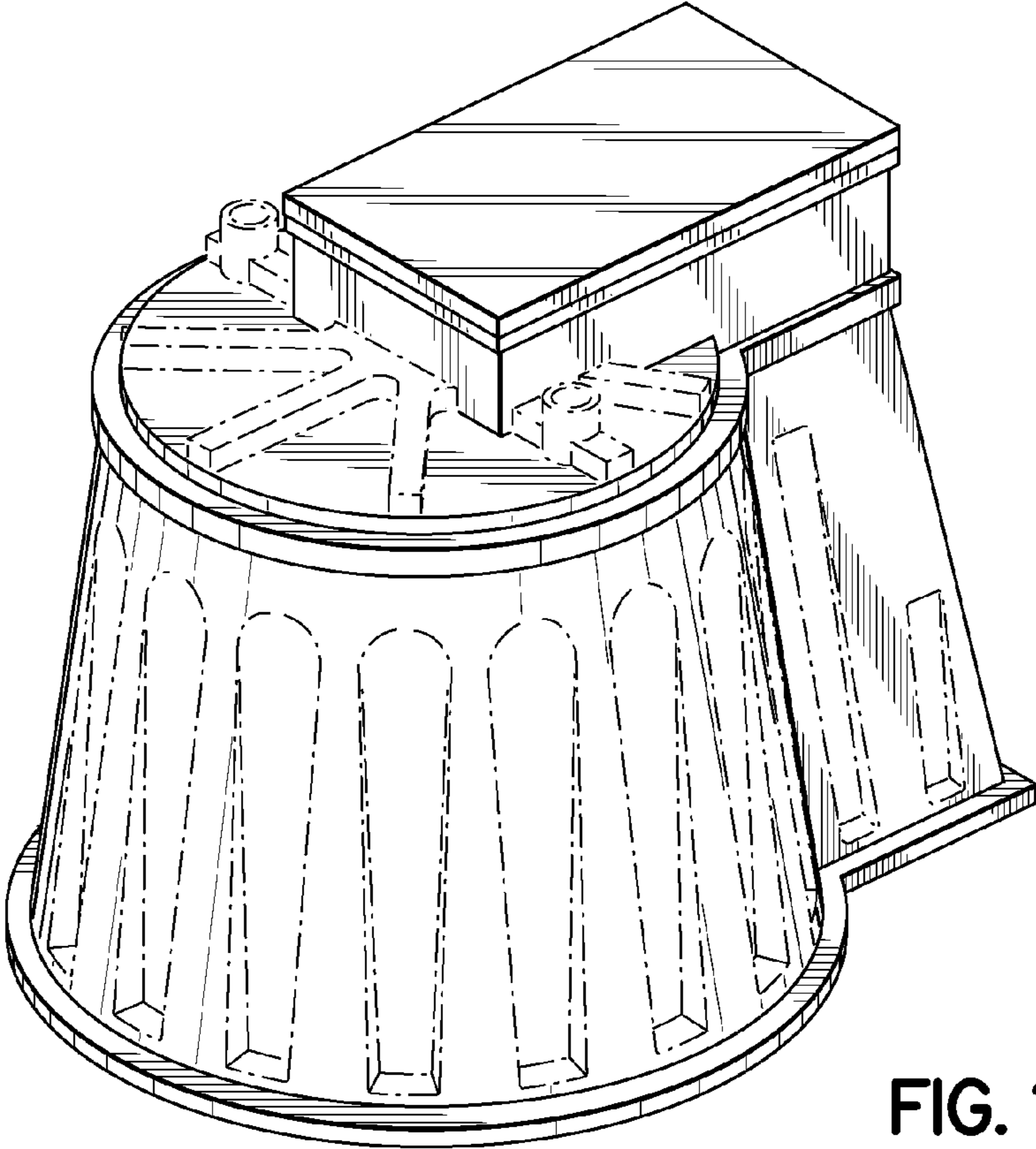


FIG. 1

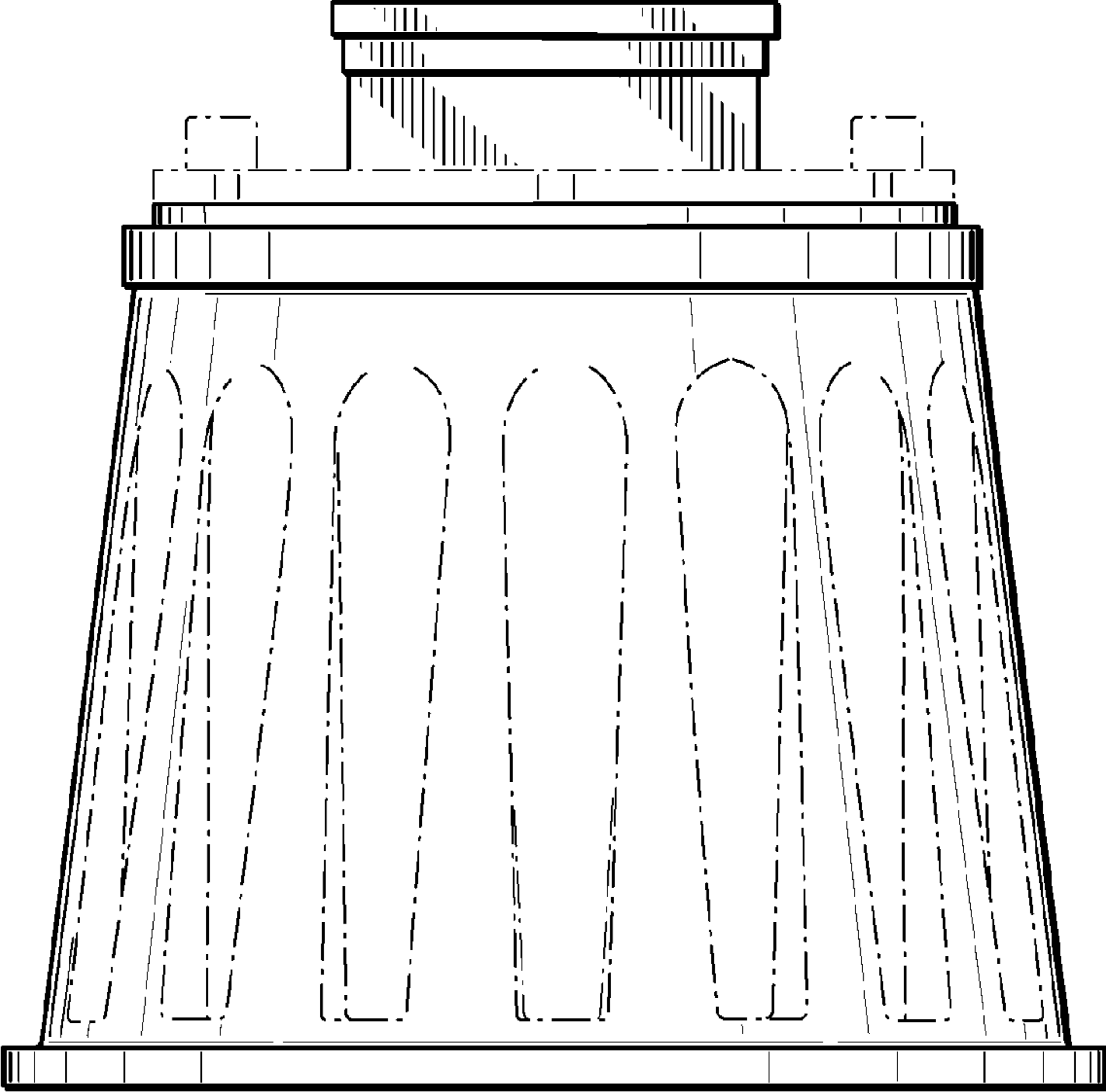


FIG. 2

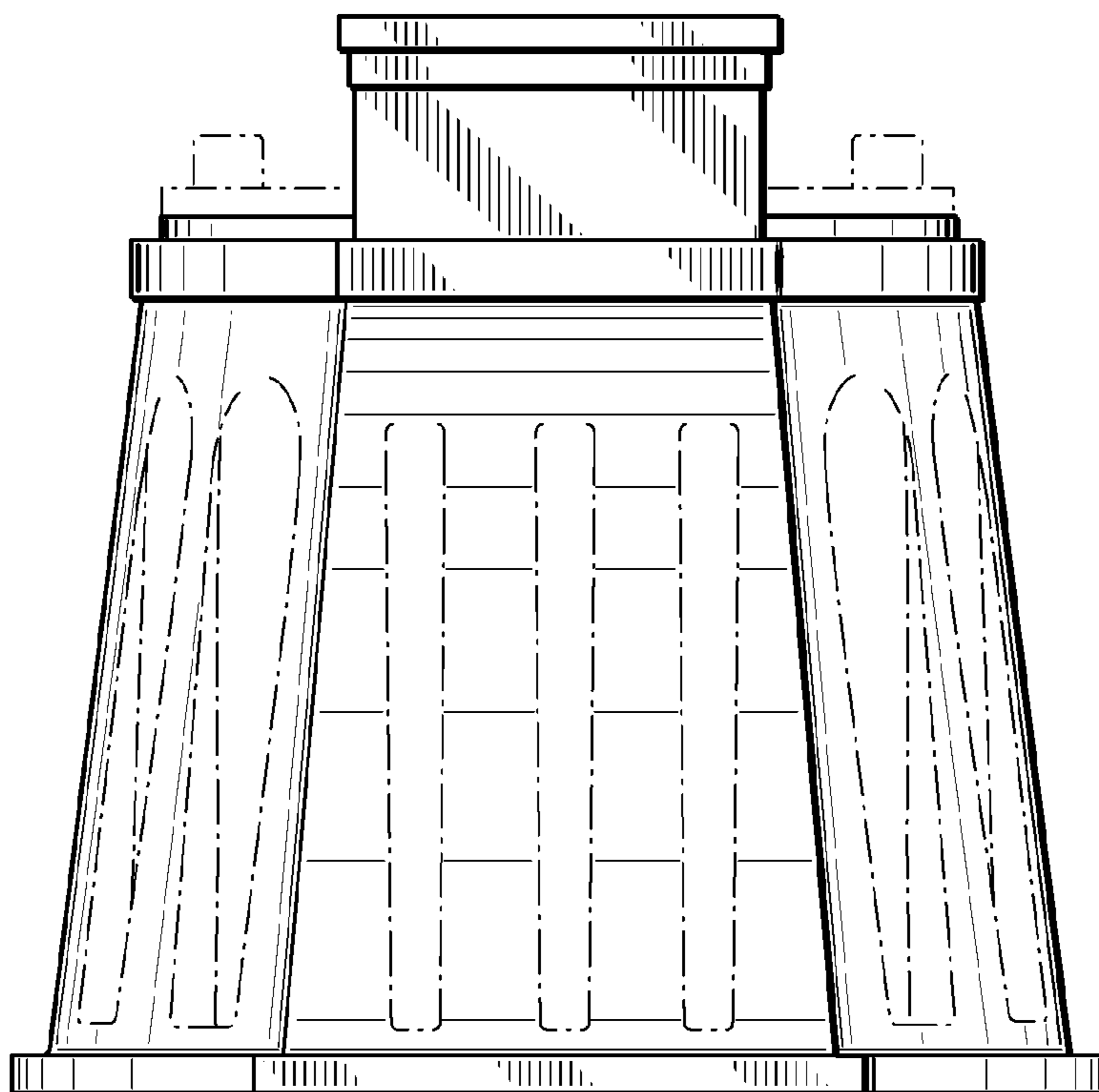


FIG. 3

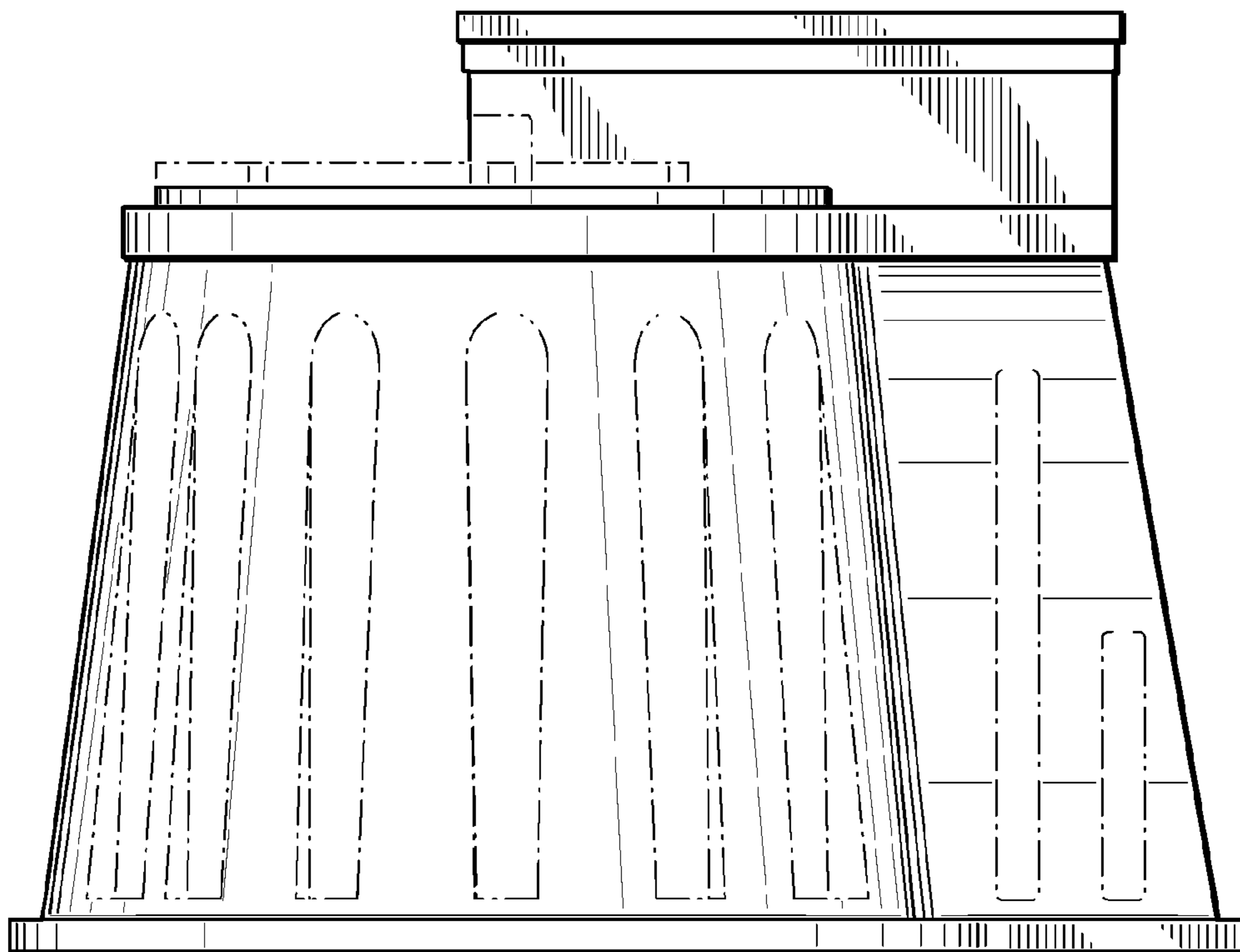


FIG. 4

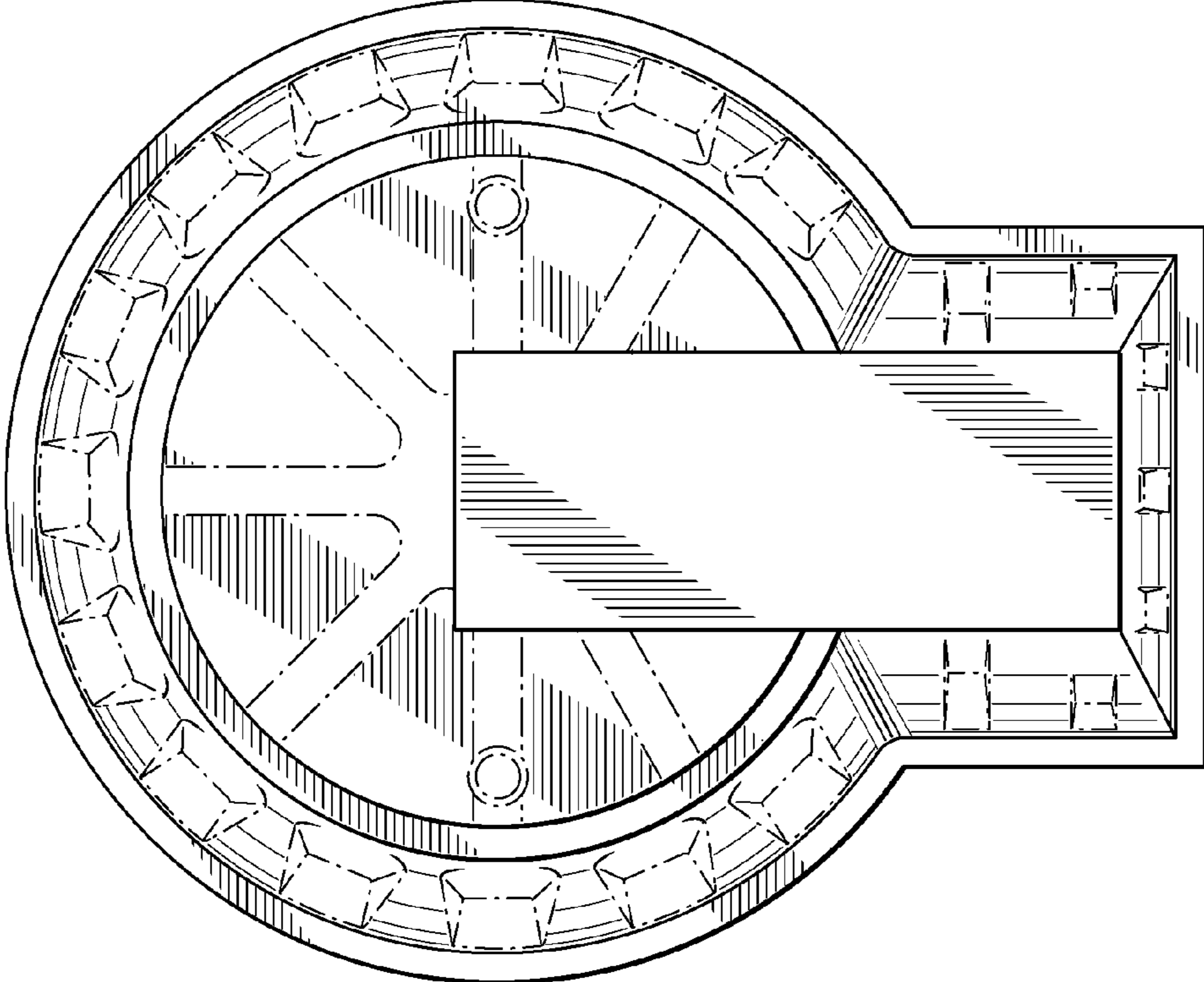


FIG. 5

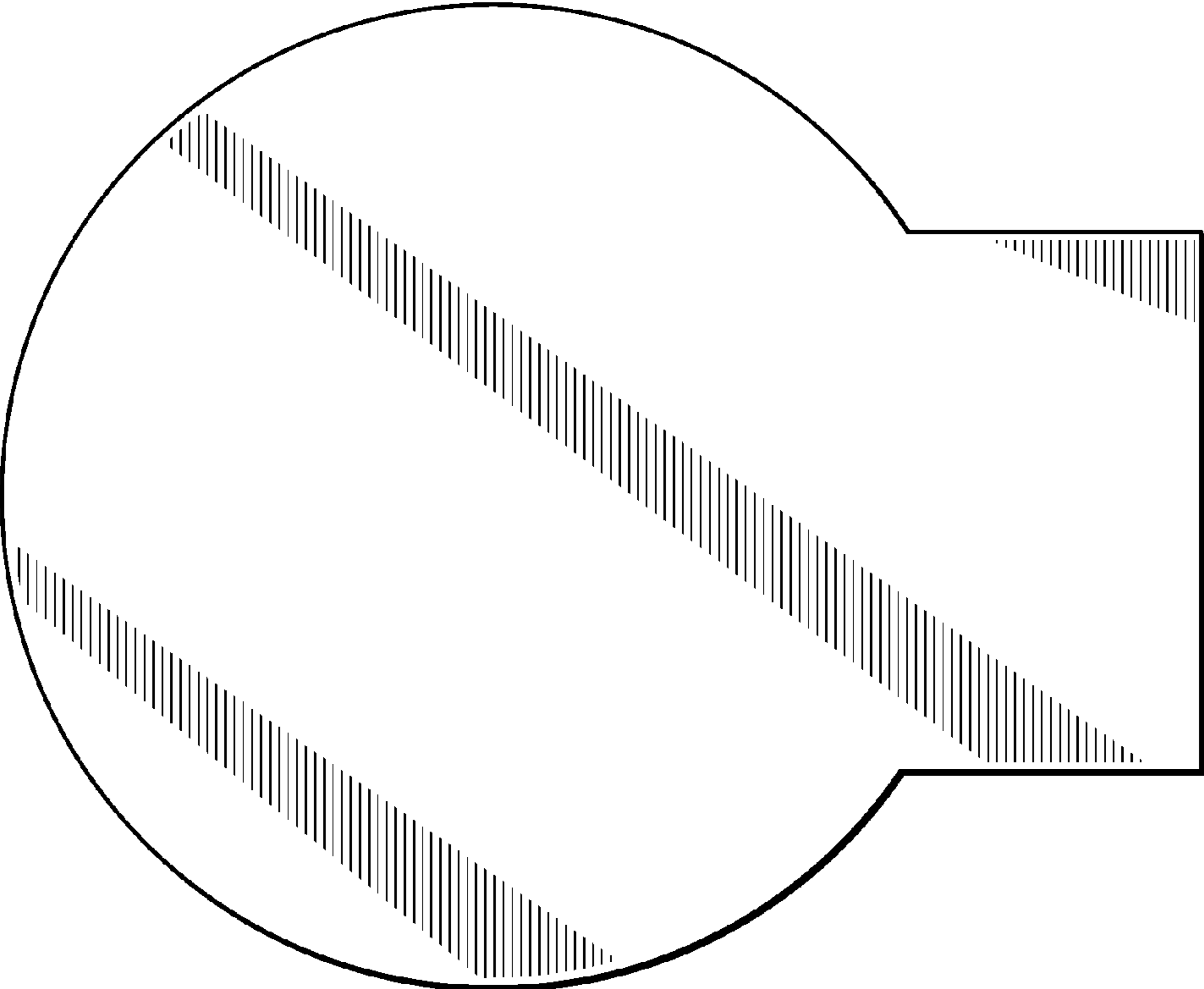


FIG. 6