



US00D610700S

(12) **United States Design Patent**  
**Khoury**

(10) **Patent No.:** **US D610,700 S**

(45) **Date of Patent:** **\*\* Feb. 23, 2010**

(54) **SPECIMEN CONTAINER**

(75) Inventor: **Edward Joseph Khoury**, Bateman (AU)

(73) Assignee: **Jawkaumi Pty. Ltd.**, Harrismith,  
Western Australia (AU)

(\*\*) Term: **14 Years**

(21) Appl. No.: **29/311,636**

(22) Filed: **May 11, 2009**

(30) **Foreign Application Priority Data**

Nov. 12, 2008 (AU) ..... 324564

(51) **LOC (9) Cl.** ..... **24-01**

(52) **U.S. Cl.** ..... **D24/224; D24/121**

(58) **Field of Classification Search** ..... D24/107,  
D24/121-123, 127-128, 216, 224, 231, 232;  
D7/700; 604/317, 322, 356; 422/99-104;  
4/432

See application file for complete search history.

(56) **References Cited**

**U.S. PATENT DOCUMENTS**

D250,129 S \* 10/1978 Skinner ..... D24/121  
D258,311 S \* 2/1981 Peterson ..... D9/428  
D341,421 S \* 11/1993 Jones ..... D24/121  
D353,669 S \* 12/1994 Jones et al. .... D24/122

(Continued)

*Primary Examiner*—T. Chase Nelson

*Assistant Examiner*—Mark Cavanna

(74) *Attorney, Agent, or Firm*—Nixon & Vanderhye P.C.

(57) **CLAIM**

The ornamental design for specimen container, as shown and described.

**DESCRIPTION**

FIG. 1 is a first perspective view of the specimen container having a pivoting handle in an extended position, whereas the

first perspective view shows a top, rear and right side of the container;

FIG. 2 is a second perspective view of the specimen container in which the handle is extended, whereas the second perspective view shows the top, front and right side of the container;

FIG. 3 is top view of the specimen container with the handle extended;

FIG. 4 is bottom view of the specimen container with the handle extended;

FIG. 5 is a front view of the specimen container with the handle extended;

FIG. 6 is a right side view of the specimen container showing the handle in the extended position, and a left side view of the specimen container with the handle extended is a mirror image of FIG. 6;

FIG. 7 is a rear view of the specimen container;

FIG. 8 is a third perspective view of the specimen container in which the handle is folded against a cylindrical sidewall of the container, where the third perspective view shows the top, front and right side of the container;

FIG. 9 is top view of the specimen container with the handle folded;

FIG. 10 is bottom view of the specimen container with the handle folded;

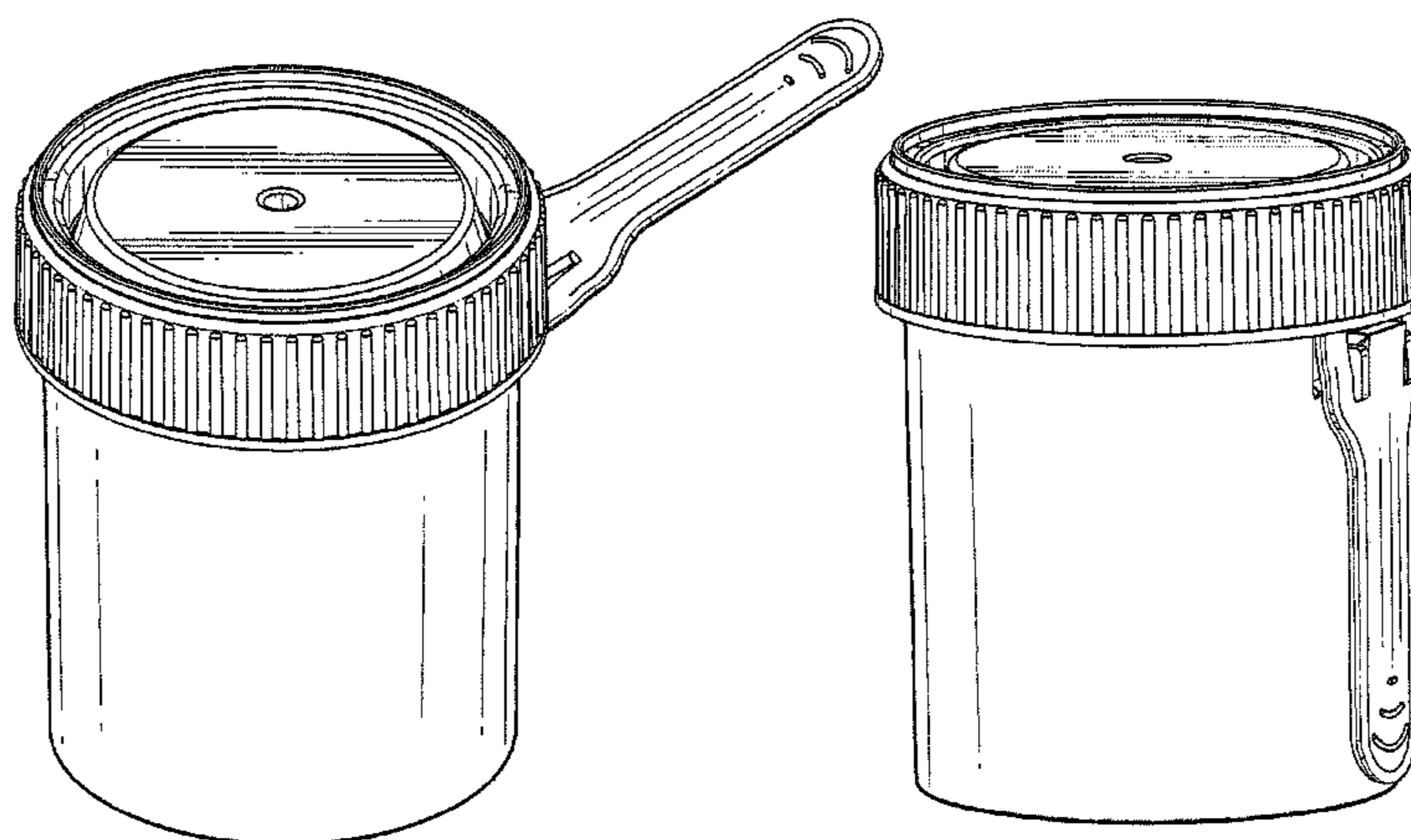
FIG. 11 is a front view of the specimen container with the handle folded;

FIG. 12 is a right side view of the specimen container with the handle folded, and a left side view of the specimen container with the handle folded is a mirror image of FIG. 12; and,

FIG. 13 is an exploded view of the specimen container in which a removable top is shown separately from a container body and the handle is extended from the container body, whereas the exploded view shows the top, front and right side of the container body and top.

The broken lines shown are included for the purpose of illustrating portions of the specimen container that form no part of the claimed design.

**1 Claim, 12 Drawing Sheets**



# US D610,700 S

Page 2

---

## U.S. PATENT DOCUMENTS

D357,066 S *	4/1995	Jones et al. ....	D24/122	6,485,691 B1 *	11/2002	Jones .....	422/102
D368,135 S *	3/1996	Vasai .....	D24/122	6,602,231 B1 *	8/2003	Mariea .....	604/317
D379,655 S *	6/1997	Savignac .....	D24/128	6,973,678 B2 *	12/2005	Jones .....	4/144.1
D398,993 S *	9/1998	Jones .....	D24/122	D567,368 S *	4/2008	Guptill .....	D24/122
D425,984 S *	5/2000	Niermann et al. ....	D24/224	D579,557 S *	10/2008	Washington .....	D24/122
6,485,438 B1 *	11/2002	Minue .....	600/573	D583,933 S *	12/2008	Finney et al. ....	D24/121

\* cited by examiner

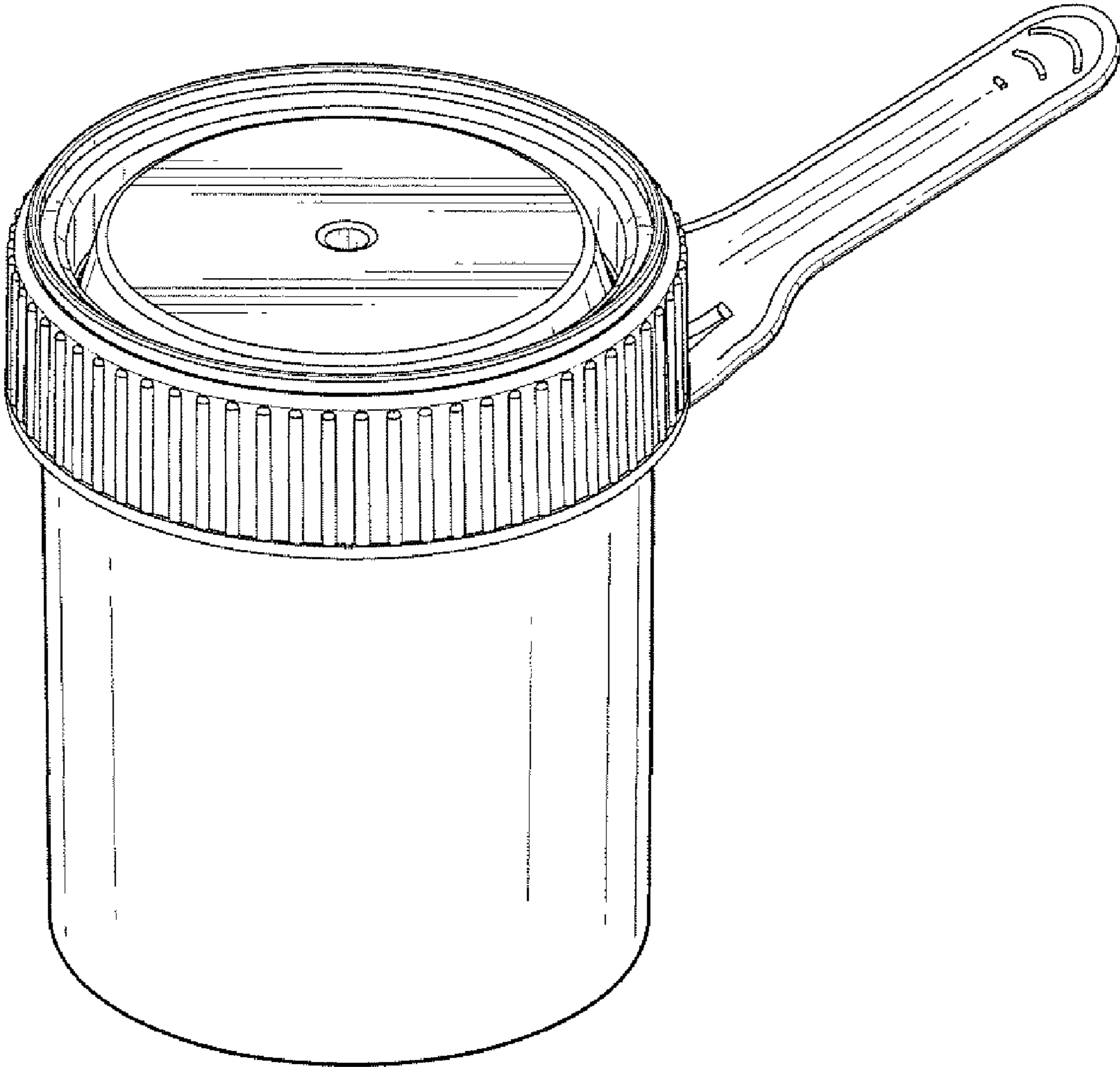


Fig. 1

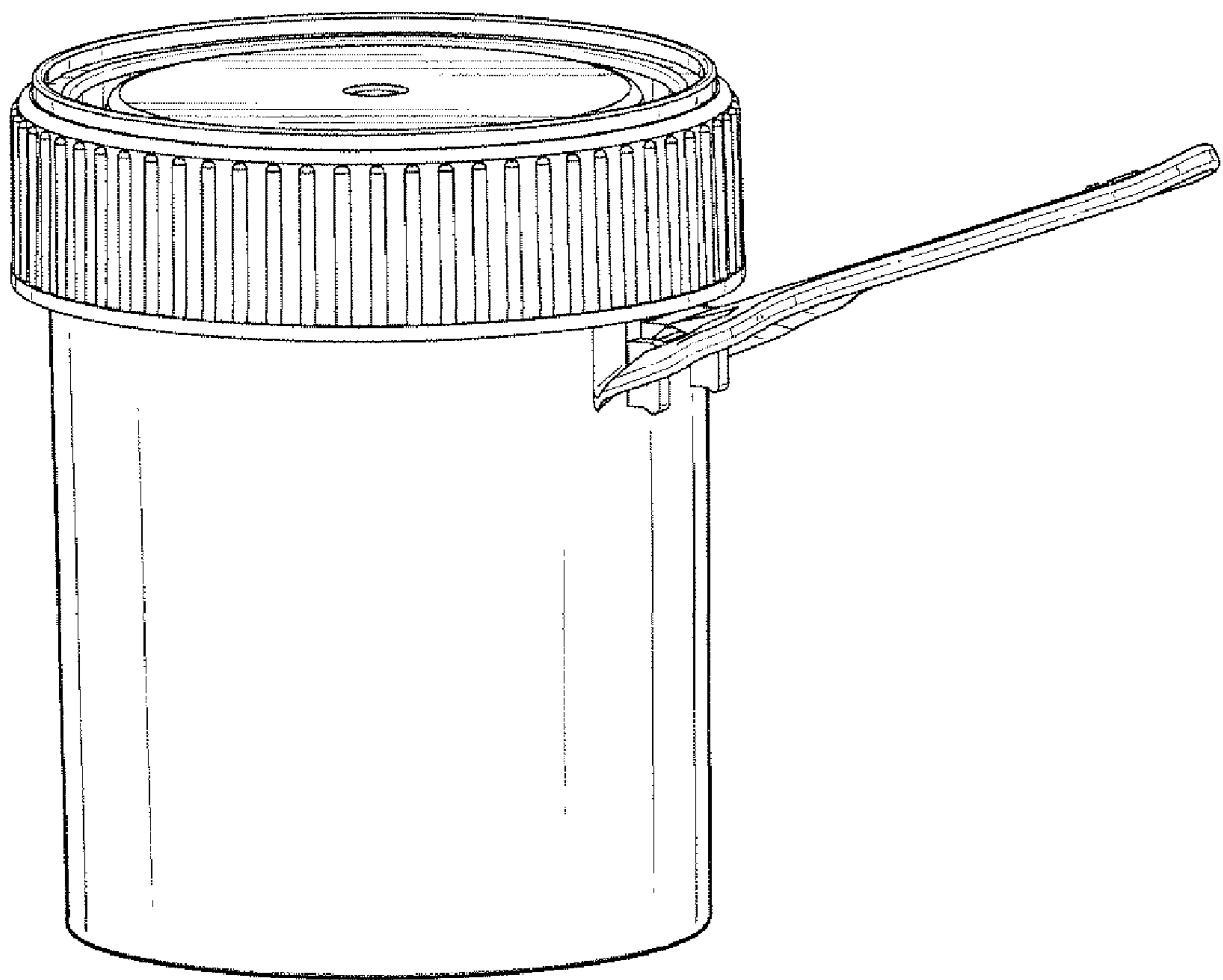


Fig. 2

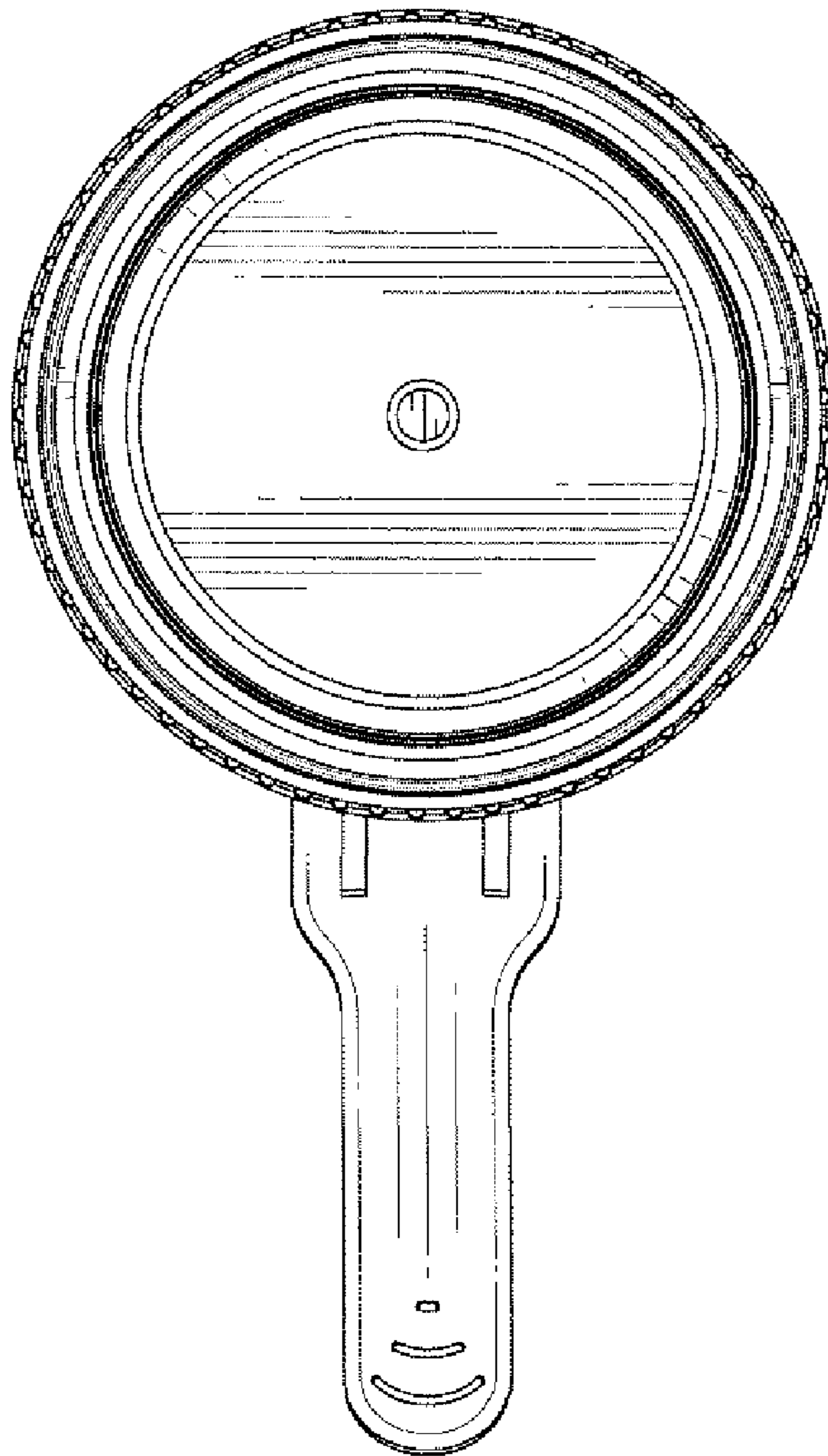


Fig. 3

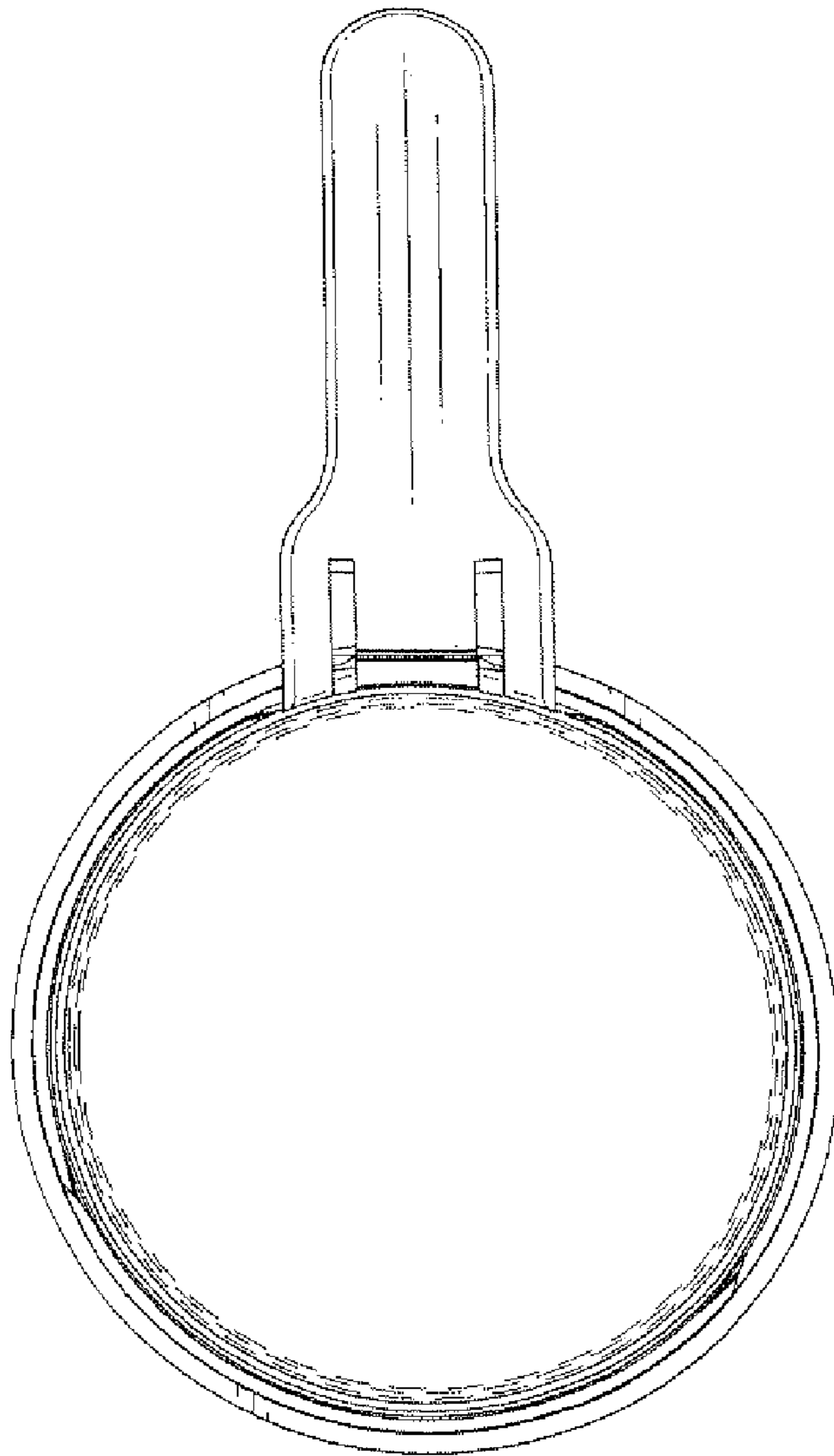


Fig. 4

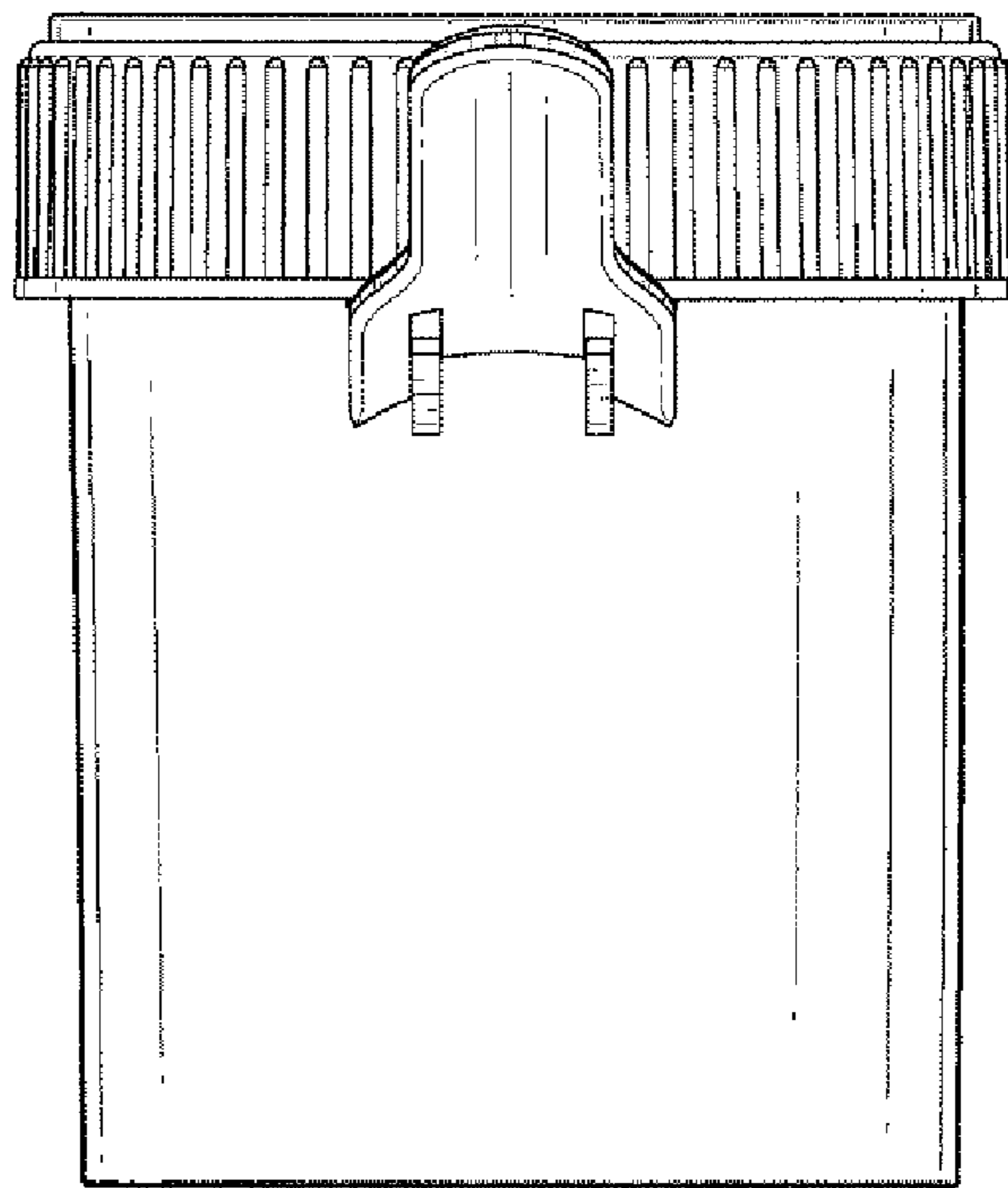


Fig. 5

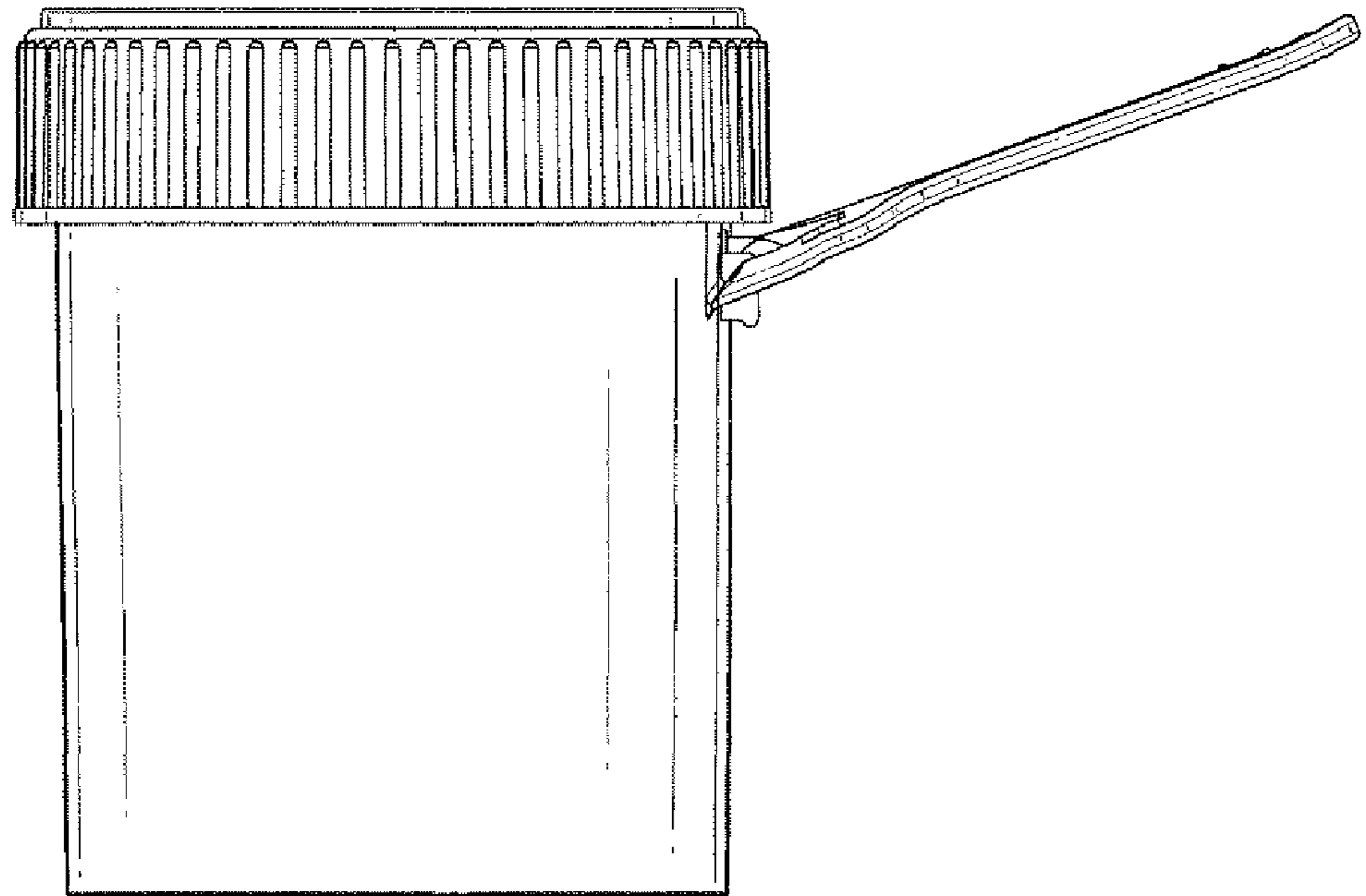


Fig. 6



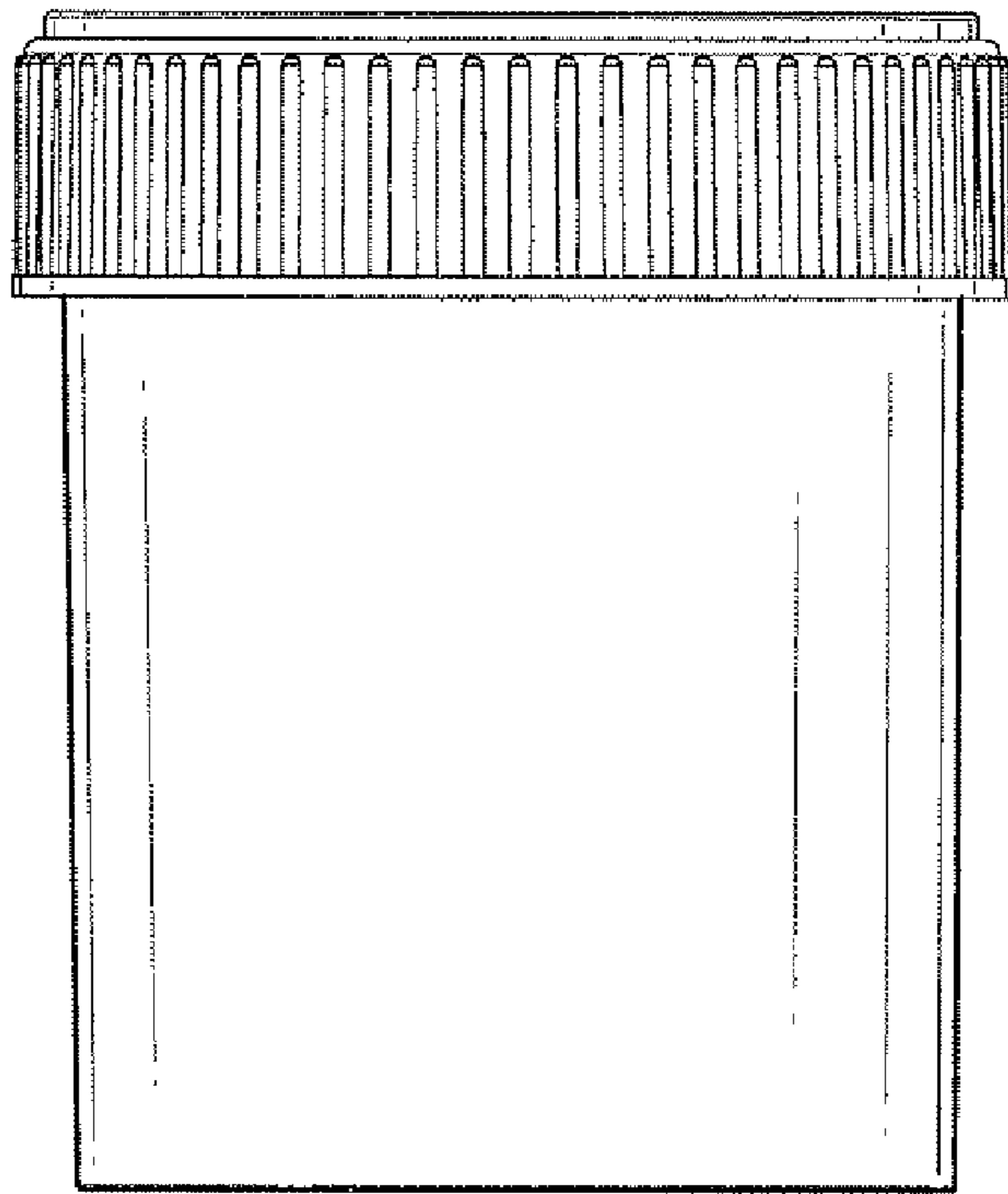


Fig. 7

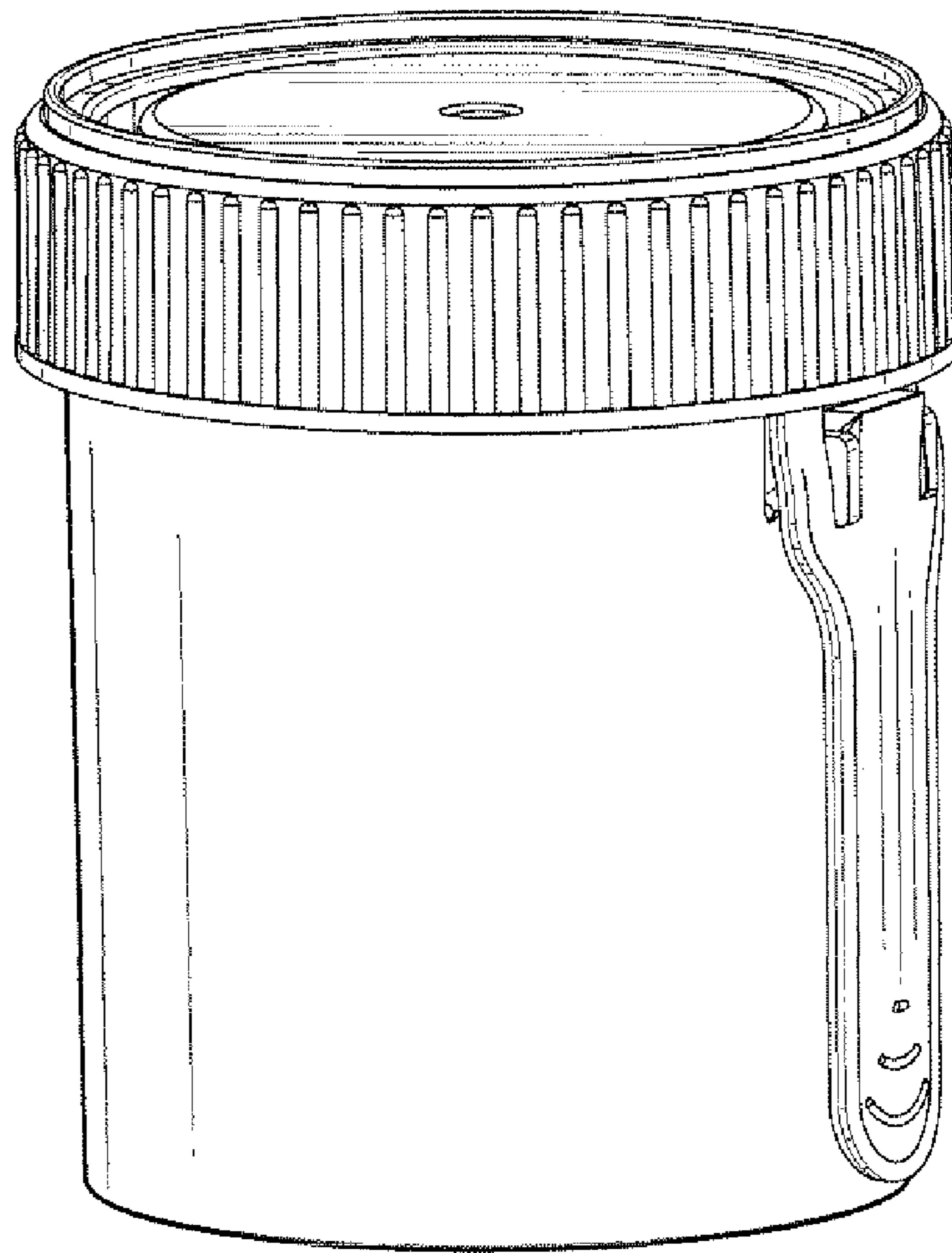


Fig. 8

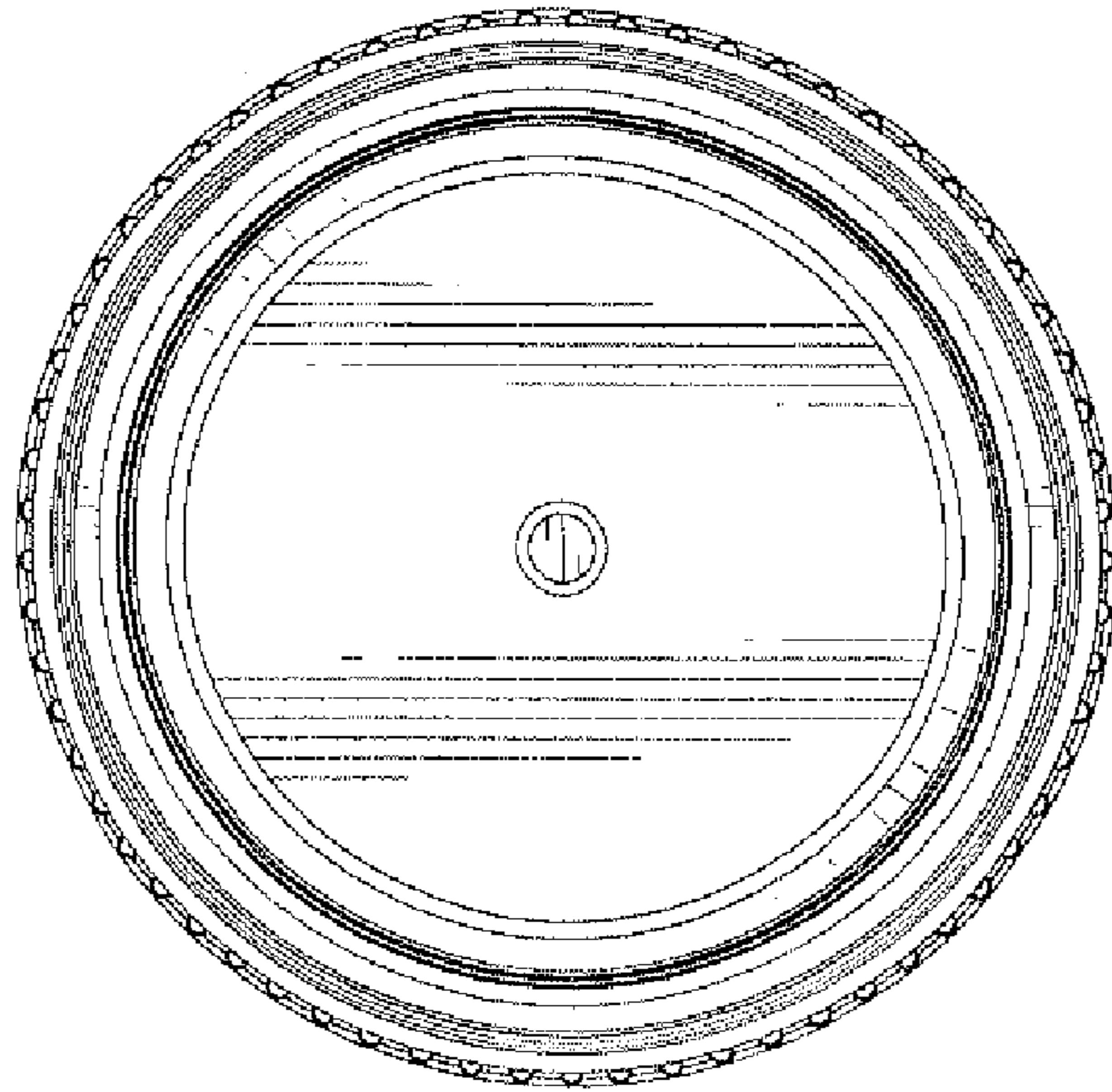


Fig. 9

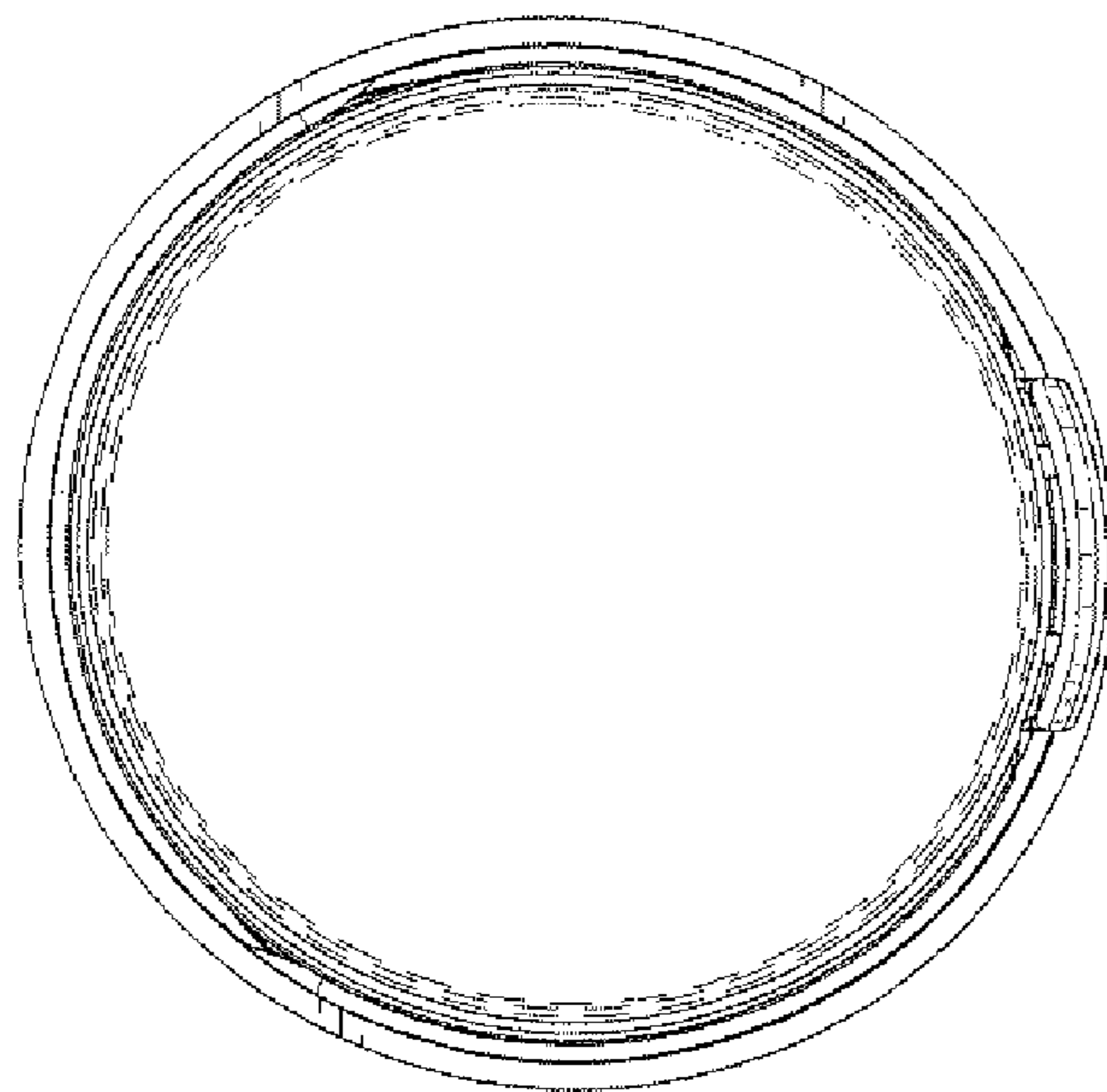


Fig. 10

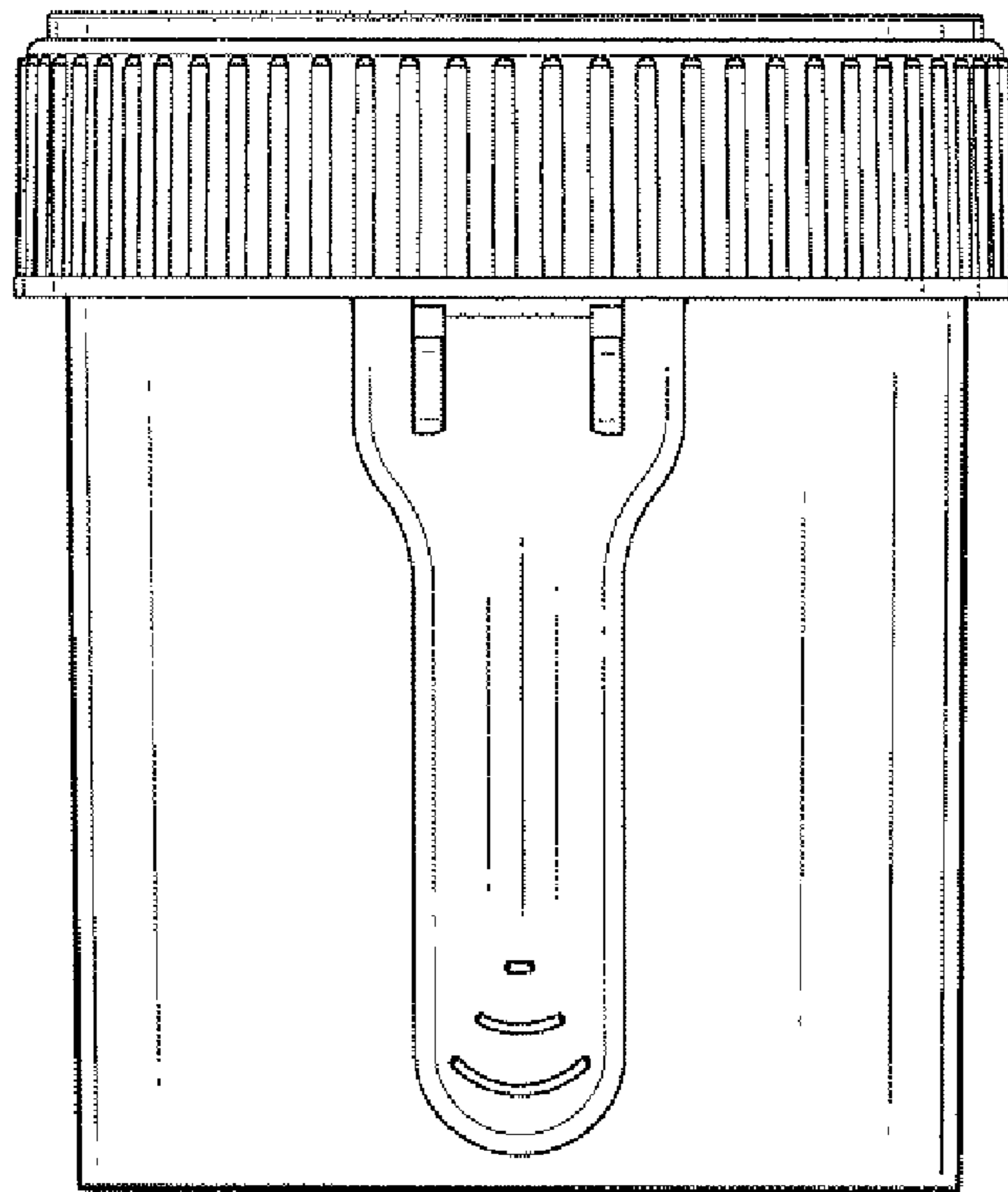


Fig. 11

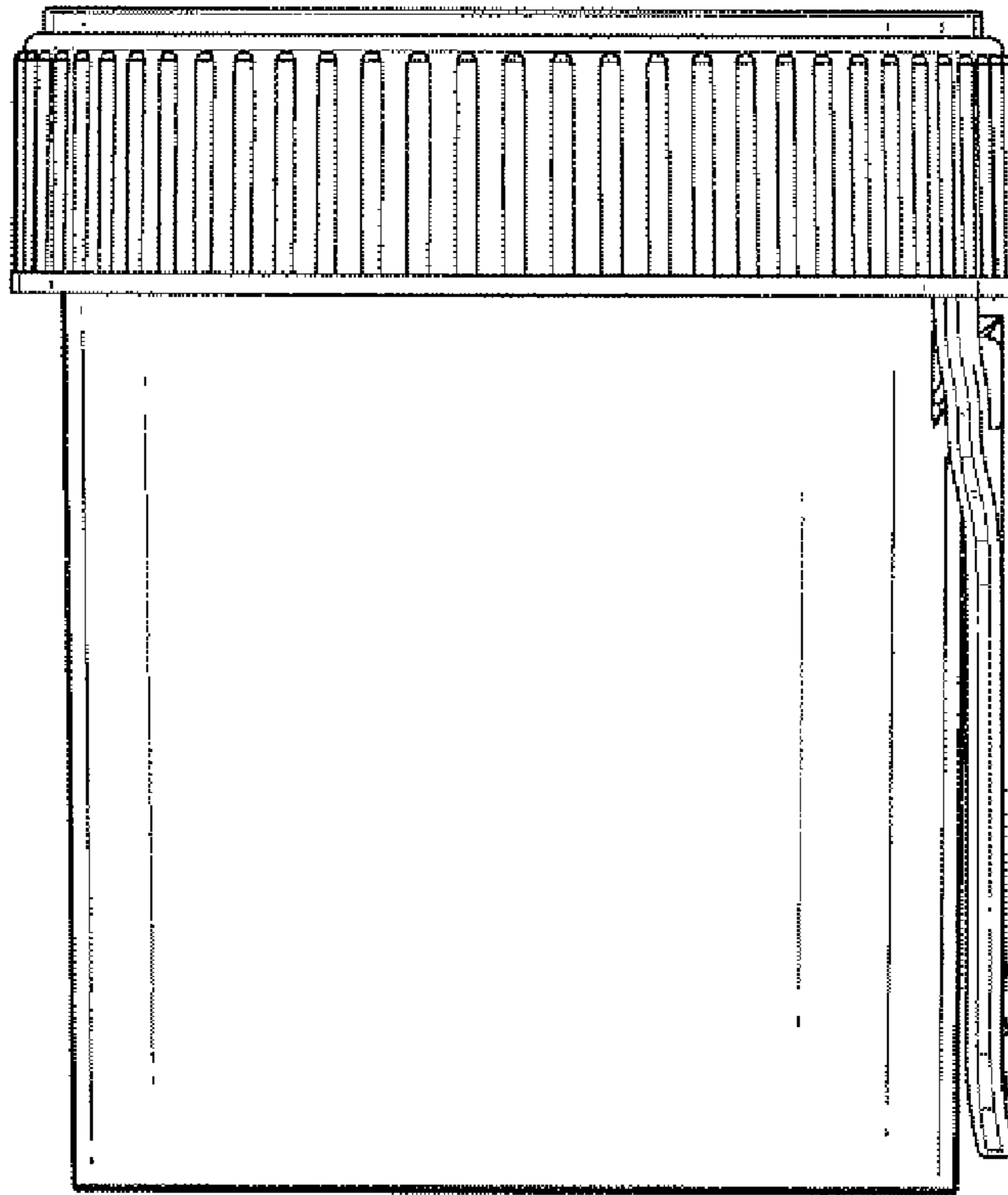


Fig. 12



Fig. 13