



US00D610697S

(12) **United States Design Patent**  
**Tran**

(10) **Patent No.:** **US D610,697 S**  
(45) **Date of Patent:** **\*\* Feb. 23, 2010**

(54) **SPA BASIN**

(75) Inventor: **Minh Sang Tran**, Cambridge (CA)

(73) Assignee: **Gulfstream Inc.**, Cambridge, Ontario

(\*\*) Term: **14 Years**

(21) Appl. No.: **29/340,028**

(22) Filed: **Jul. 13, 2009**

(51) **LOC (9) Cl.** ..... **28-03**

(52) **U.S. Cl.** ..... **D24/213; D24/204**

(58) **Field of Classification Search** ..... D24/204,  
D24/123, 200, 201, 205, 212, 213; D7/601,  
D7/602; D9/414, 424, 430; D23/277, 284;  
4/541.1, 560.1; 601/22, 27, 29, 30, 154-158,  
601/160; 607/144

See application file for complete search history.

(56) **References Cited**

**U.S. PATENT DOCUMENTS**

2,580,981	A *	1/1952	Webster	.....	132/73
D219,323	S *	11/1970	Bost	.....	D24/123
D250,206	S *	11/1978	Levin	.....	D24/205
D251,202	S *	2/1979	Charewicz	.....	D24/123
5,697,921	A *	12/1997	Blair	.....	604/317
D431,637	S *	10/2000	Palmer	.....	D23/277
6,880,182	B2 *	4/2005	Gruenwald	.....	4/541.1
D541,060	S *	4/2007	Fugate et al.	.....	D6/335
D563,558	S *	3/2008	Ton	.....	D24/201
D565,739	S *	4/2008	Tran	.....	D24/204

D569,986 S \* 5/2008 Ton ..... D24/204  
2004/0177438 A1 \* 9/2004 Gruenwald et al. .... 4/560.1

\* cited by examiner

*Primary Examiner*—Prabhakar Deshmukh

*Assistant Examiner*—Derrick Holland

(74) *Attorney, Agent, or Firm*—Jones, Walker, Waechter,  
Poitevent, Carrere & Denegre, LLP

(57) **CLAIM**

The ornamental design for a spa basin, as shown and described.

**DESCRIPTION**

FIG. 1 is a rear perspective view of a spa basin showing my new design;

FIG. 2 is a top plan view thereof;

FIG. 3 is a right side elevation view thereof;

FIG. 4 is a left side elevation view thereof;

FIG. 5 is a bottom plan view thereof;

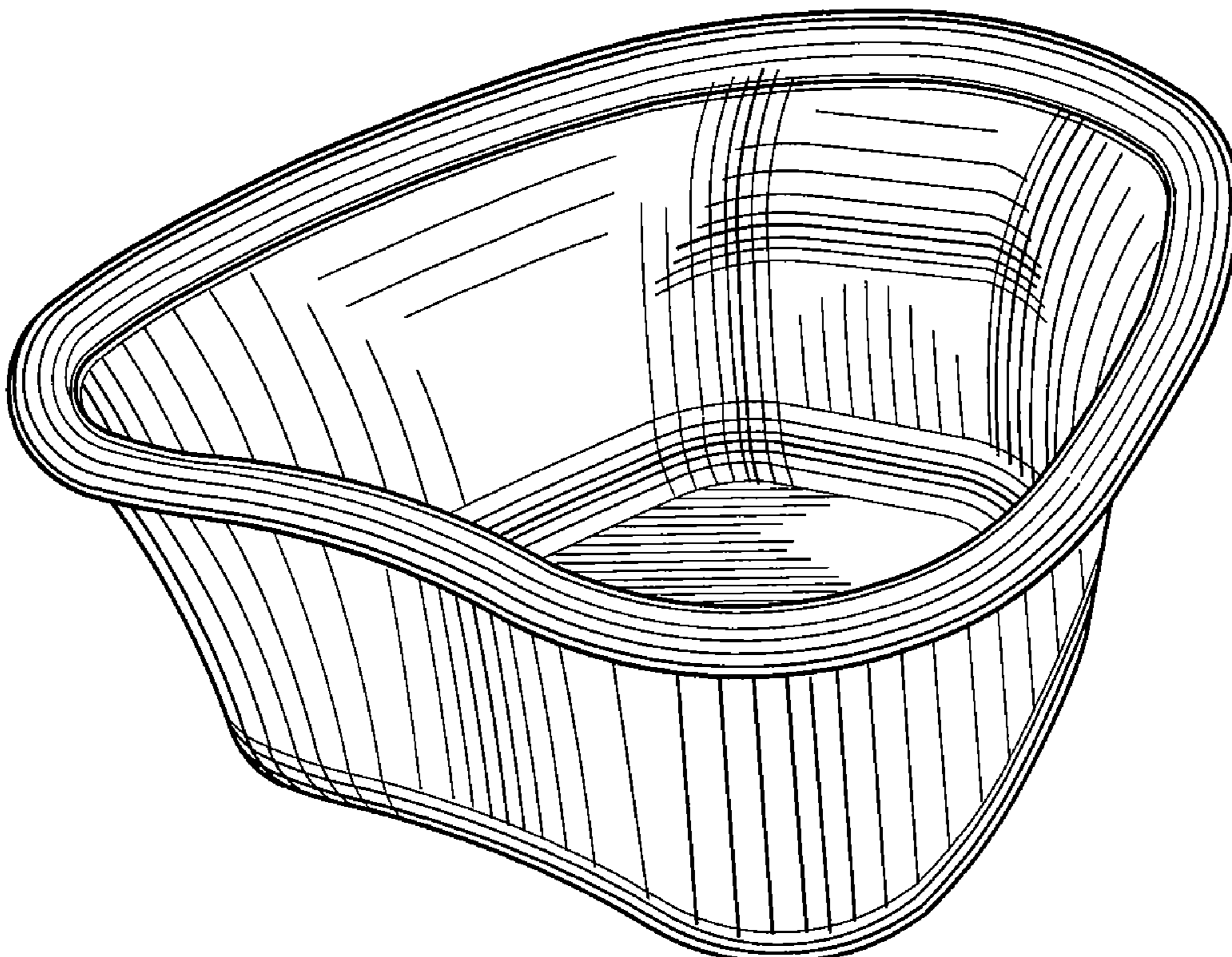
FIG. 6 is a front elevation view thereof;

FIG. 7 is a rear elevation view thereof; and,

FIG. 8 is another perspective view thereof, shown in environmental use.

The broken lines showing of a chair and basin support in FIG. 8 are for illustrative purpose only and form no part of the claimed design.

**1 Claim, 5 Drawing Sheets**



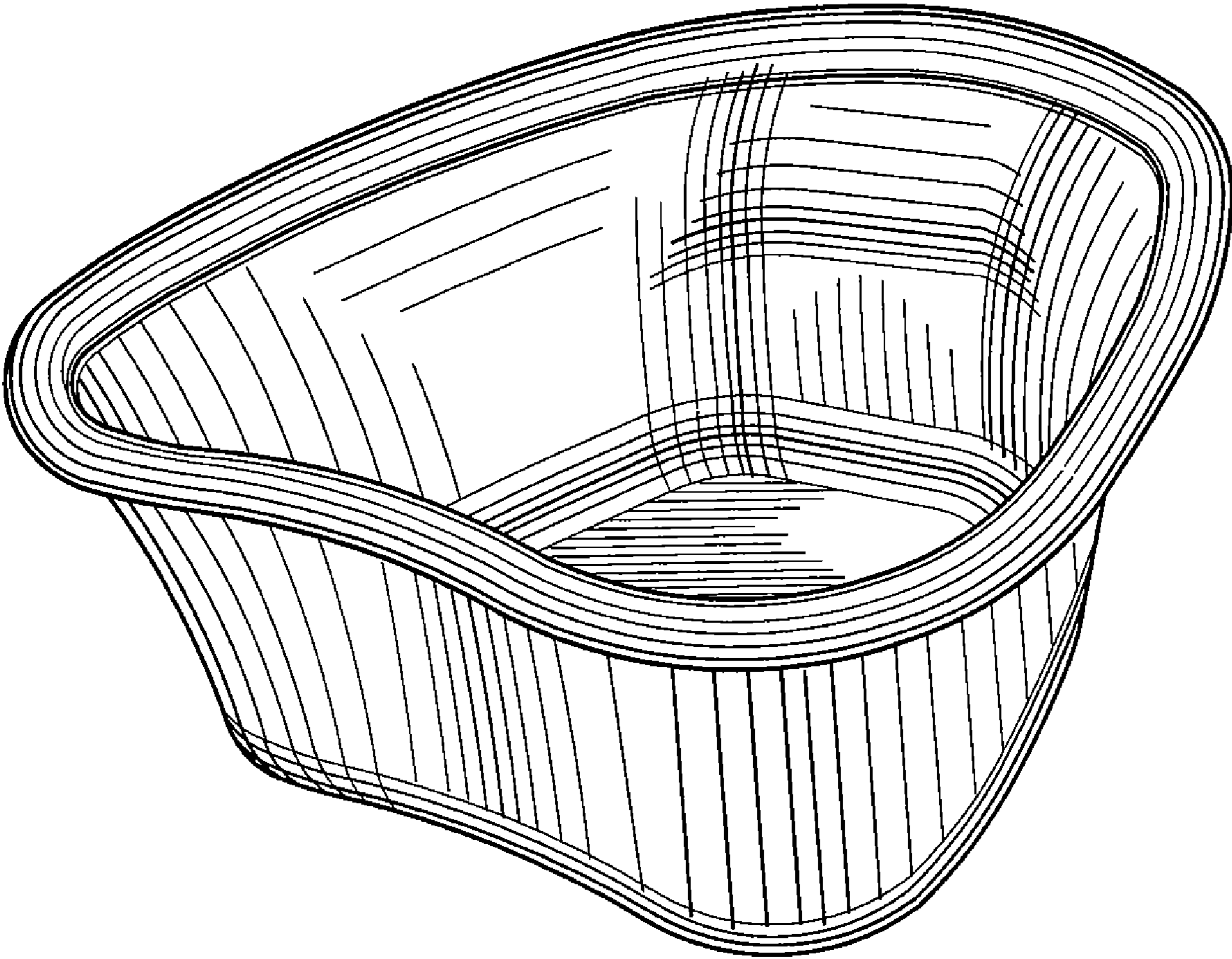


FIG. 1

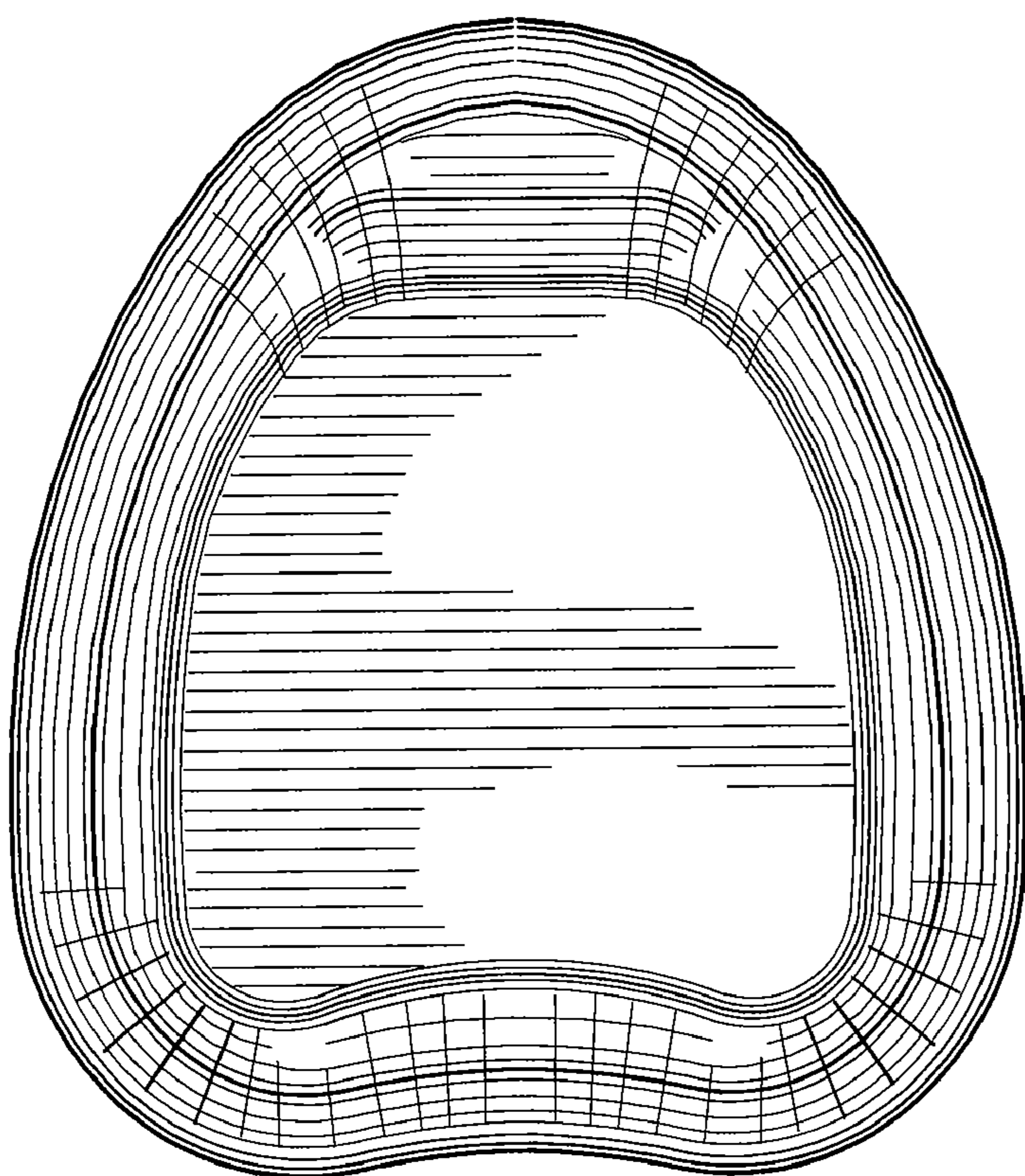


FIG. 2

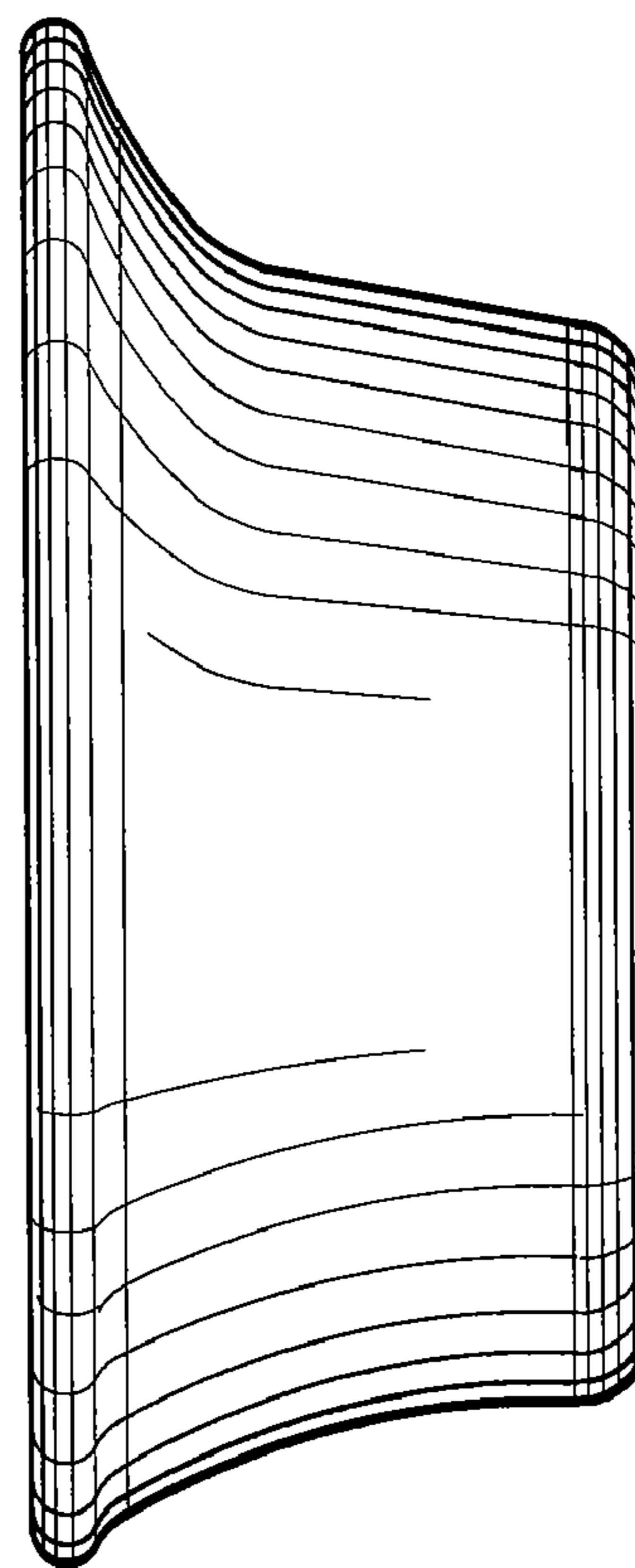


FIG. 3



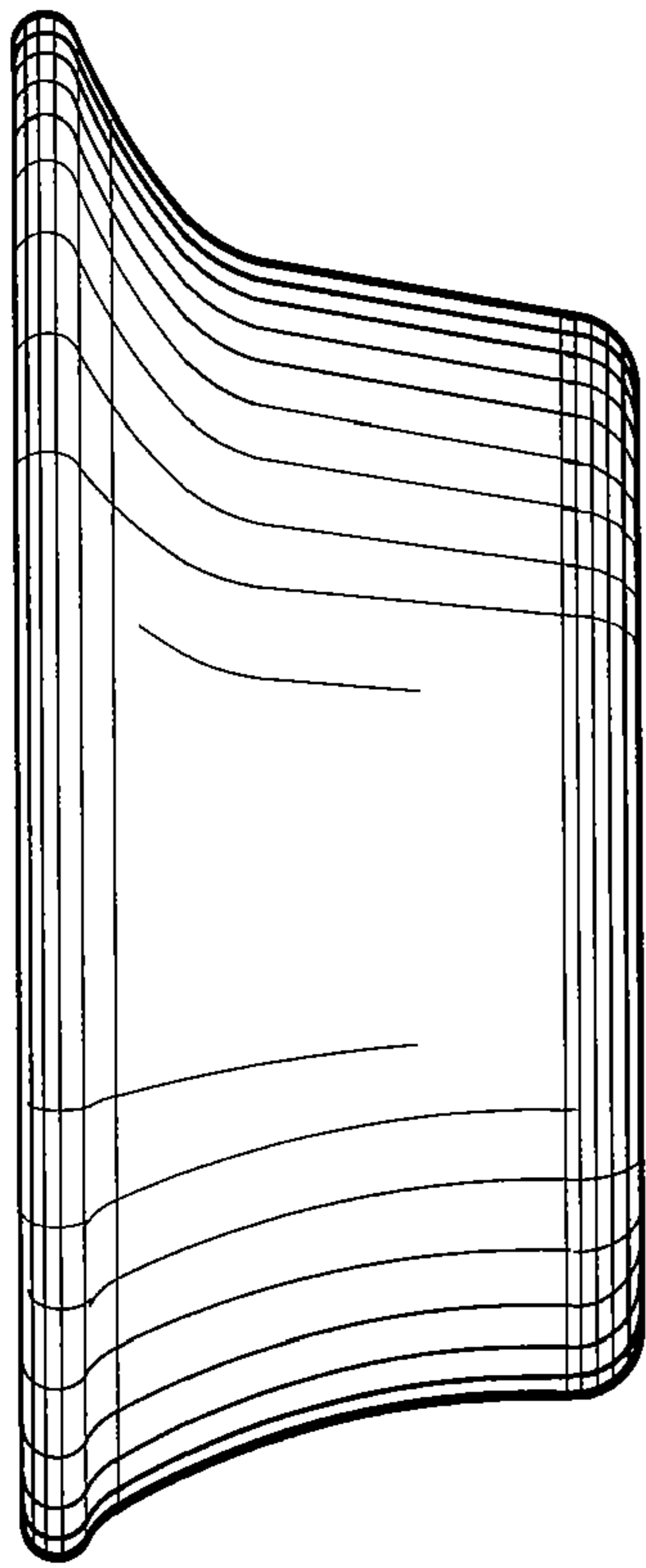


FIG. 4

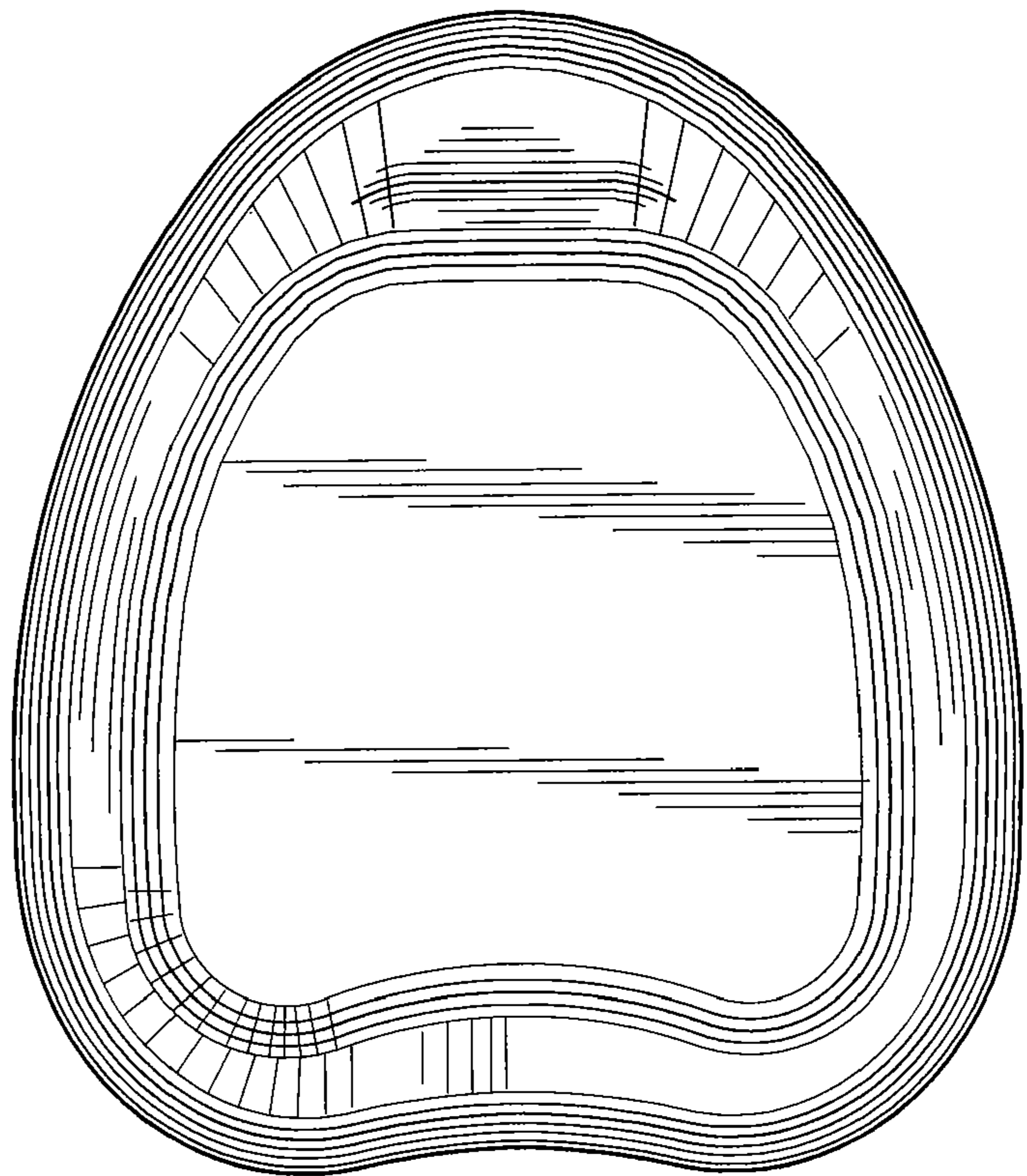


FIG. 5

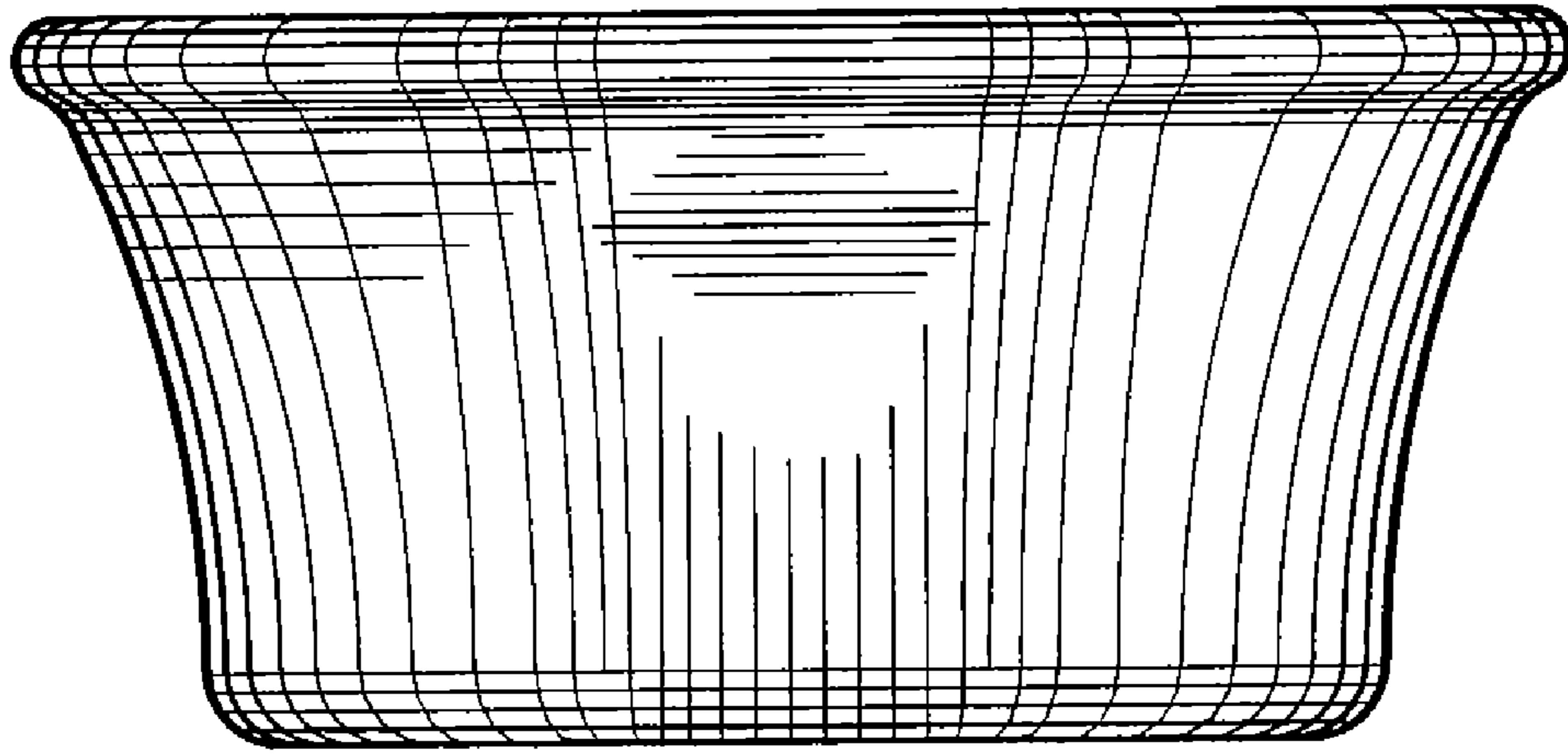


FIG. 6

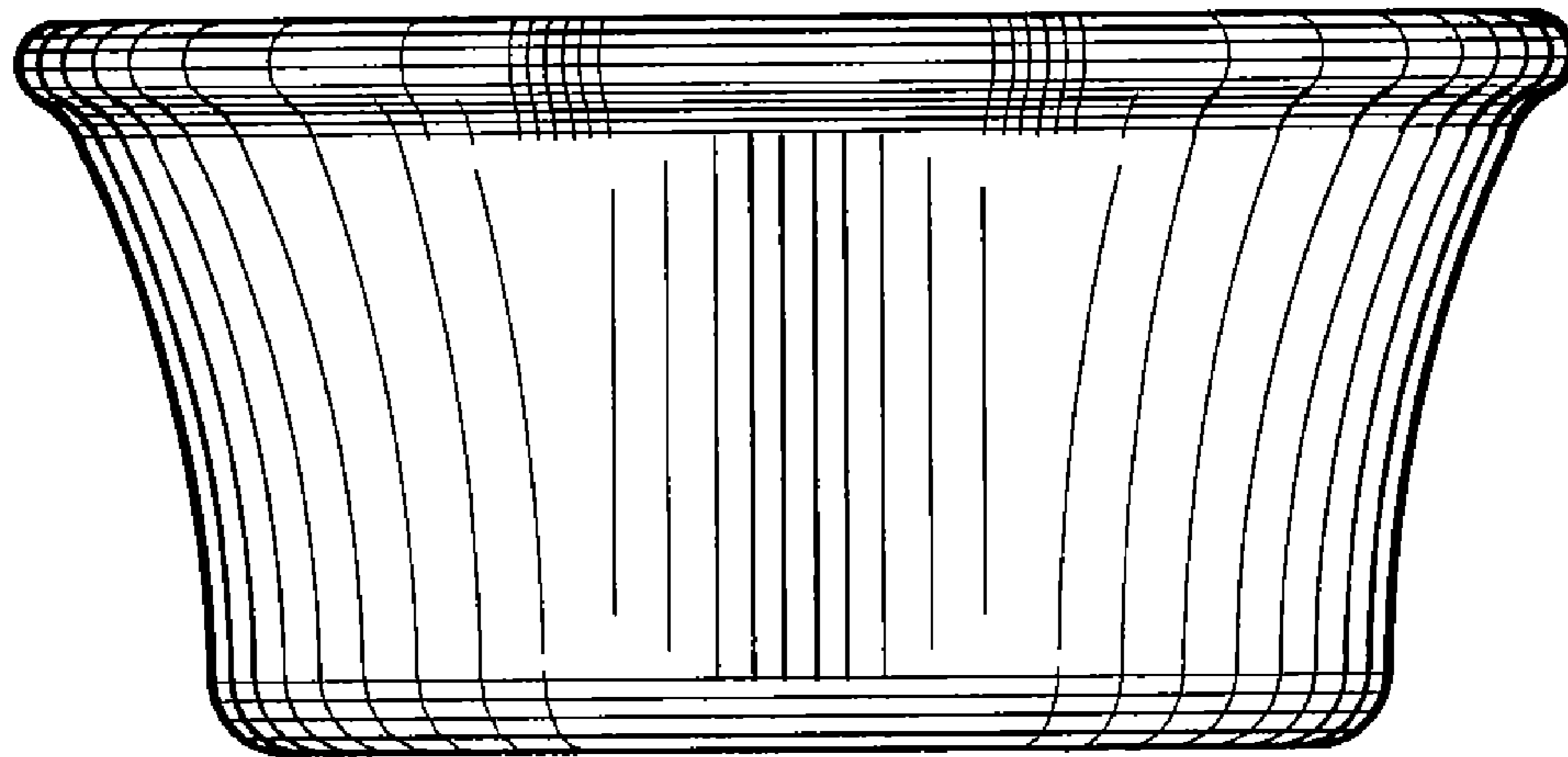


FIG. 7

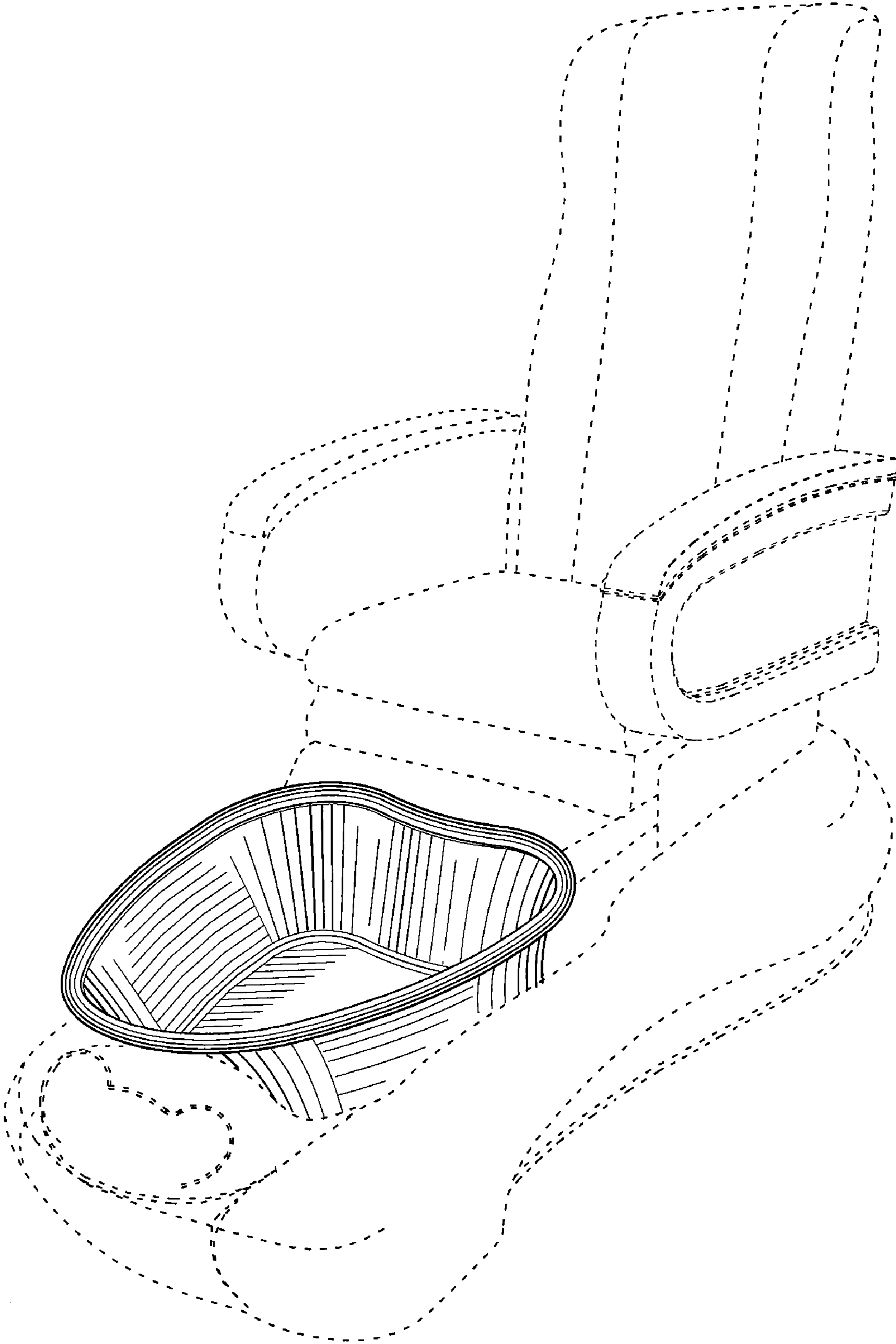


FIG.8