



US00D610696S

(12) **United States Design Patent**
Makuch

(10) **Patent No.:** **US D610,696 S**

(45) **Date of Patent:** **** Feb. 23, 2010**

(54) **SOAP BAR WITH FOOT SCRUBBER AND MASSAGE ELEMENTS**

(76) Inventor: **Ruby Makuch**, 23531 Meadowlark, Oak Park, MI (US) 48237

(**) Term: **14 Years**

(21) Appl. No.: **29/338,230**

(22) Filed: **Jun. 8, 2009**

(51) **LOC (9) Cl.** **24-02**

(52) **U.S. Cl.** **D24/211; D24/212**

(58) **Field of Classification Search** D24/200, D24/211, 212, 213, 214, 215; 601/113, 118, 601/134-138; D4/120, 116-119, 137; D28/8.1, D28/20, 21, 56-59

See application file for complete search history.

(56) **References Cited**

U.S. PATENT DOCUMENTS

- D28,682 S 5/1898 La Pierre
- D29,883 S 12/1898 Fox
- 655,490 A * 8/1900 Hollen 601/135
- D43,181 S 10/1912 Scheuer
- D44,415 S 7/1913 Scheuer
- D76,460 S 10/1928 De Vilbiss
- D88,356 S 11/1932 Johnson
- D103,819 S 3/1937 Guild
- D113,842 S 3/1939 Jobst
- D133,998 S * 10/1942 Parker D4/116
- D153,413 S 4/1949 Baumgartner
- 2,546,291 A 3/1951 Baumgartner
- D190,559 S 6/1961 Vallis
- D261,428 S * 10/1981 Noble D24/211
- D280,868 S * 10/1985 Russell D4/118
- D296,390 S 6/1988 Bryant

- D344,633 S 3/1994 Ali
- D425,307 S * 5/2000 Choi D4/120
- D442,370 S 5/2001 Chen
- D456,575 S 4/2002 Celia
- D466,695 S * 12/2002 Chen D4/120
- D477,149 S 7/2003 Hay
- D491,271 S * 6/2004 Siegfried D24/211
- D508,147 S 8/2005 Pop
- D512,225 S * 12/2005 Chien D4/120
- D537,636 S 3/2007 Schuette
- D555,362 S 11/2007 Arvinte
- D583,566 S 12/2008 Meyer
- 2009/0093743 A1 * 4/2009 Corzine 601/136

* cited by examiner

Primary Examiner—Cathron C Brooks

Assistant Examiner—Melanie Levy

(74) *Attorney, Agent, or Firm*—QuickPatents, Inc.; Kevin Prince

(57) **CLAIM**

I claim the ornamental design for a soap bar with foot scrubber and massage elements, as shown and described.

DESCRIPTION

FIG. 1 is a perspective view from above a soap bar with foot scrubber and massage elements, showing my new design;

FIG. 2 is a perspective view from below thereof;

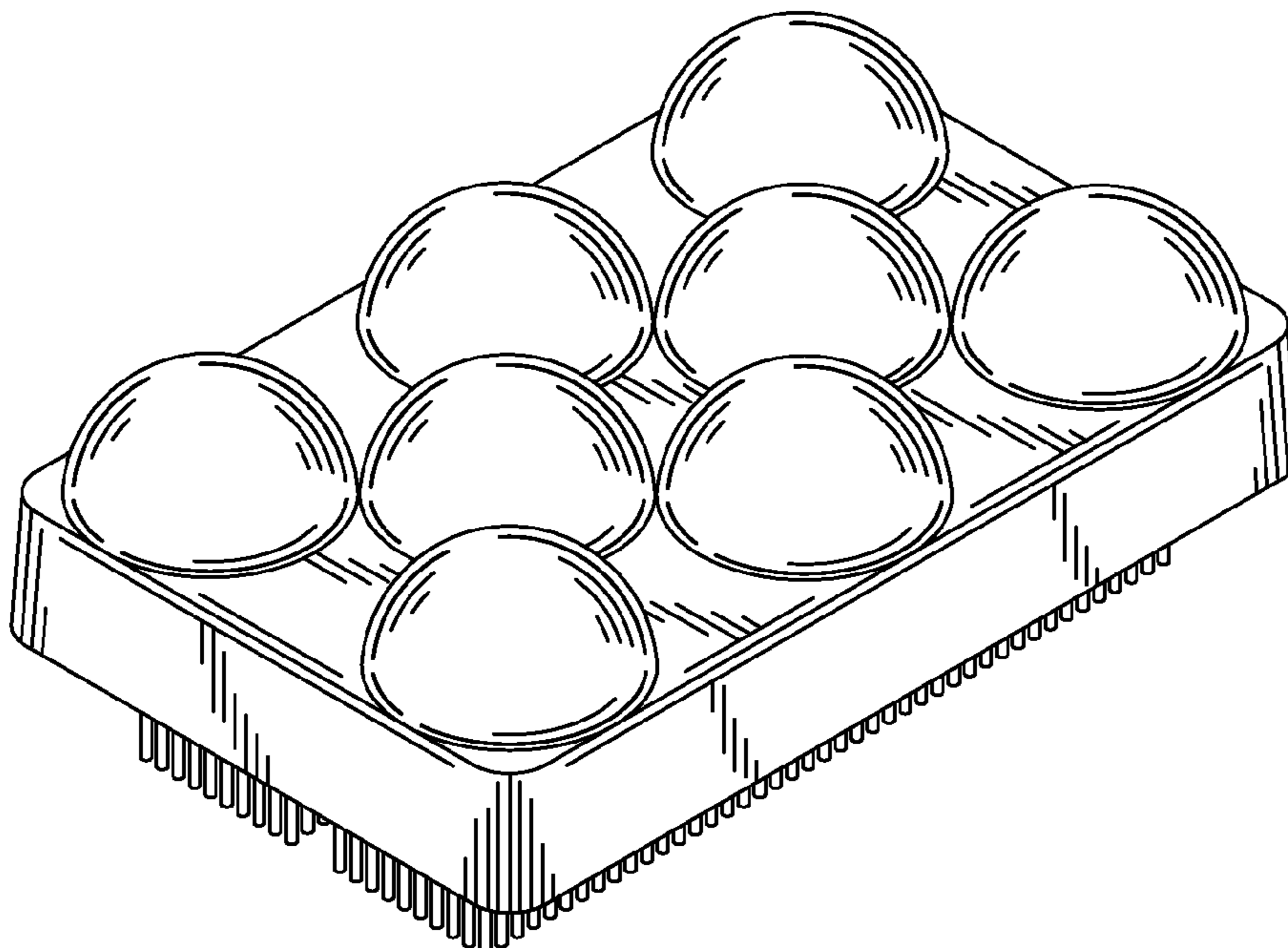
FIG. 3 is a front elevational view thereof, the rear elevational view being a mirror image thereof;

FIG. 4 is a top plan view thereof;

FIG. 5 is a left-side elevational view thereof, the right-side elevational view being a mirror image thereof; and,

FIG. 6 is a bottom plan view thereof.

1 Claim, 2 Drawing Sheets



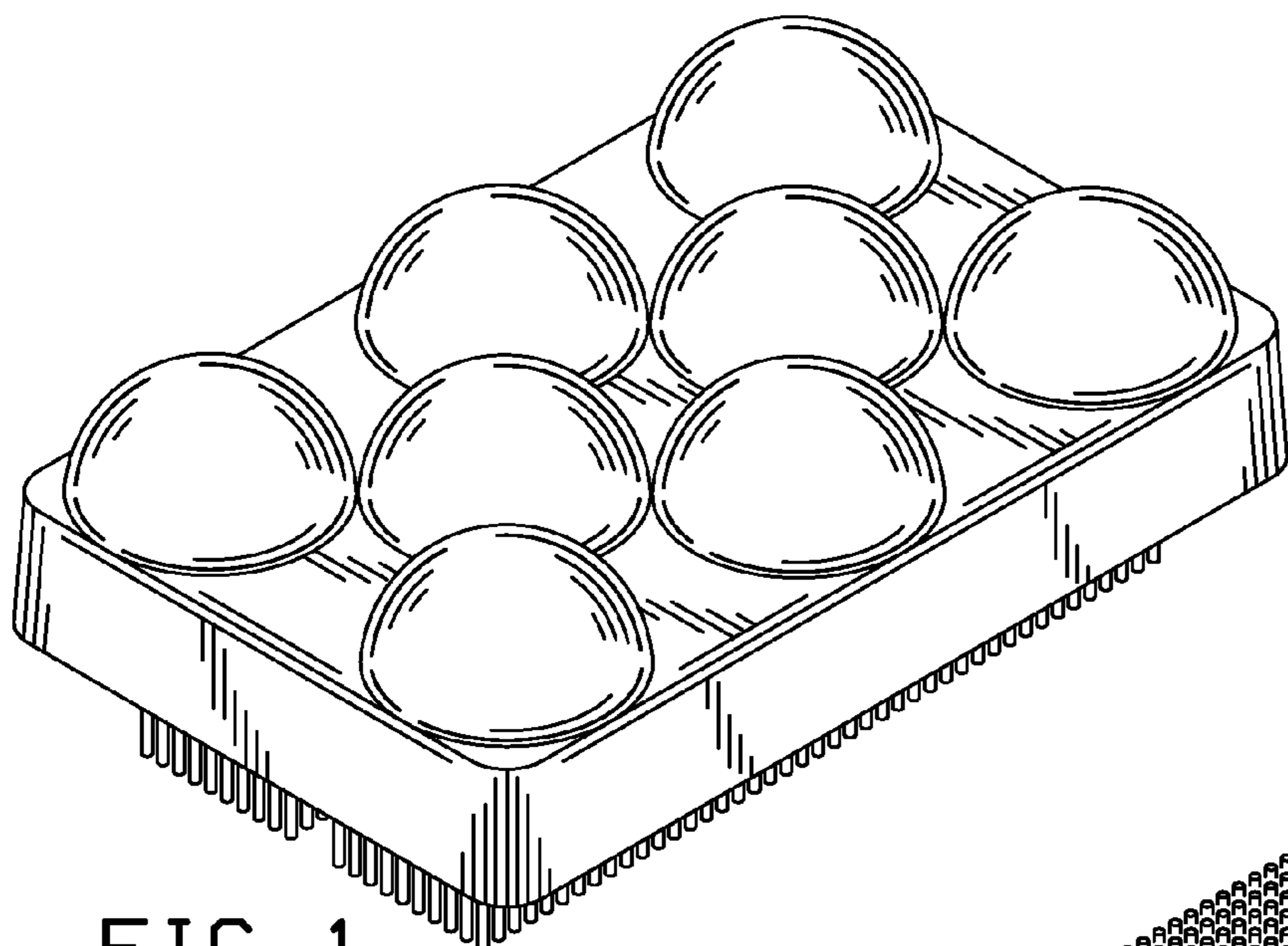


FIG. 1

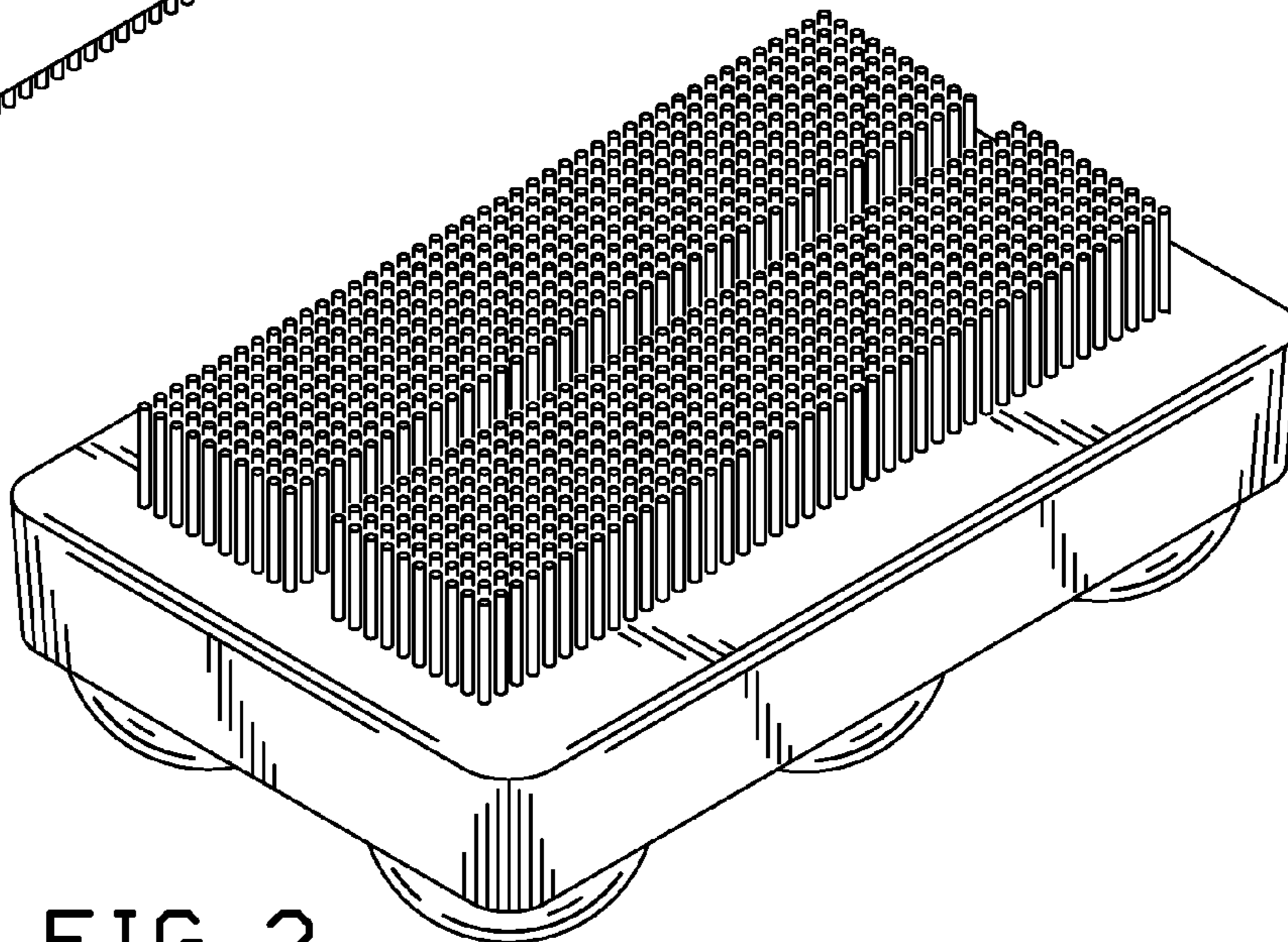


FIG. 2

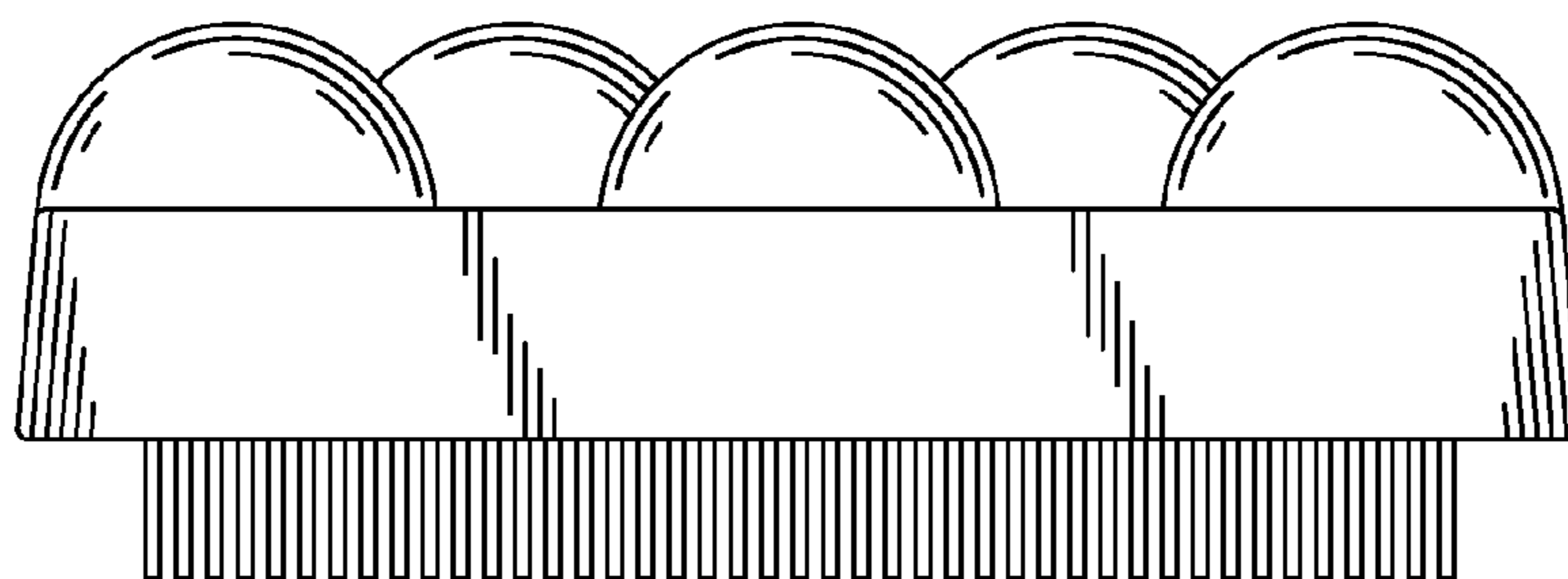


FIG. 3

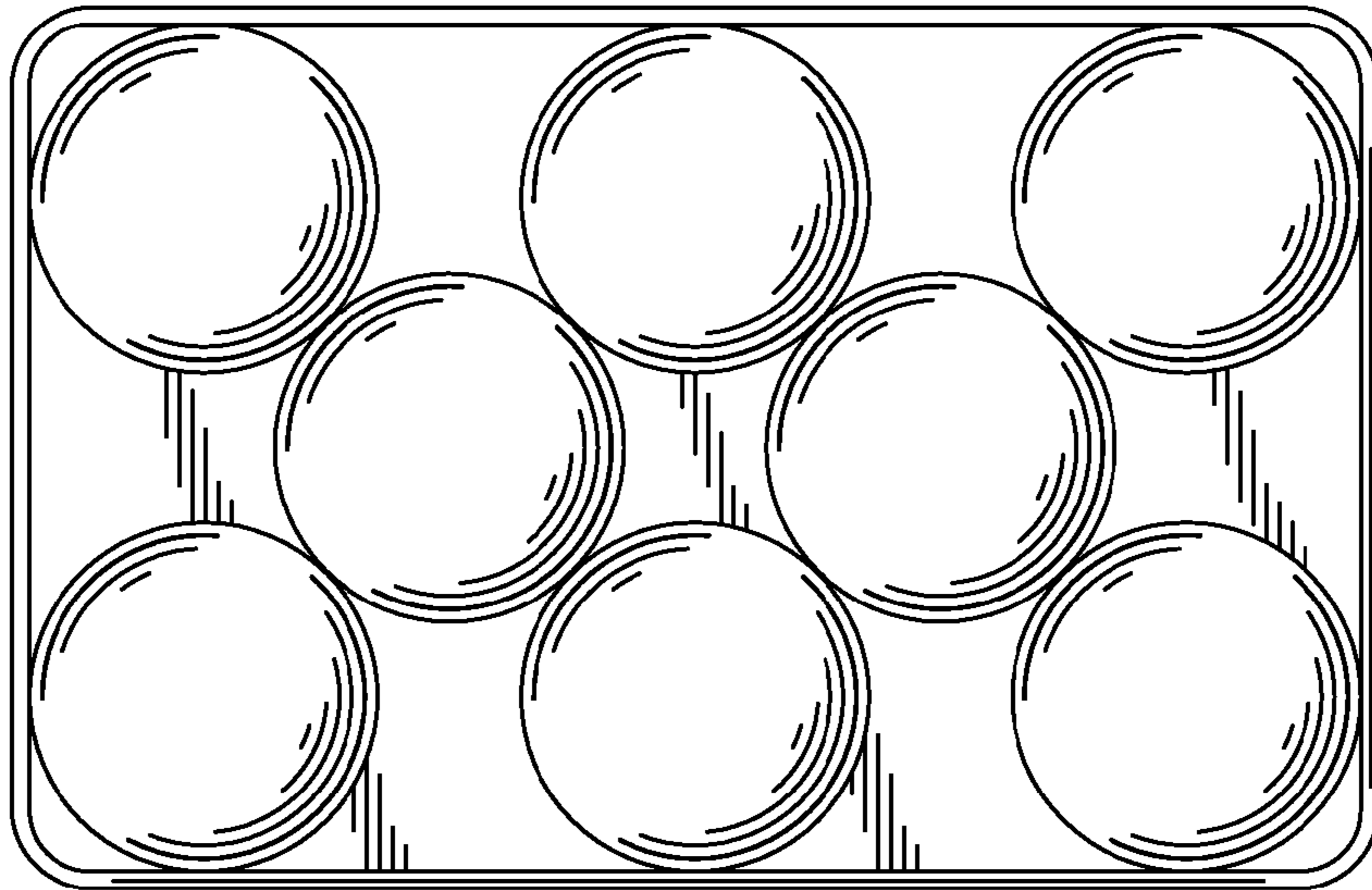


FIG. 4

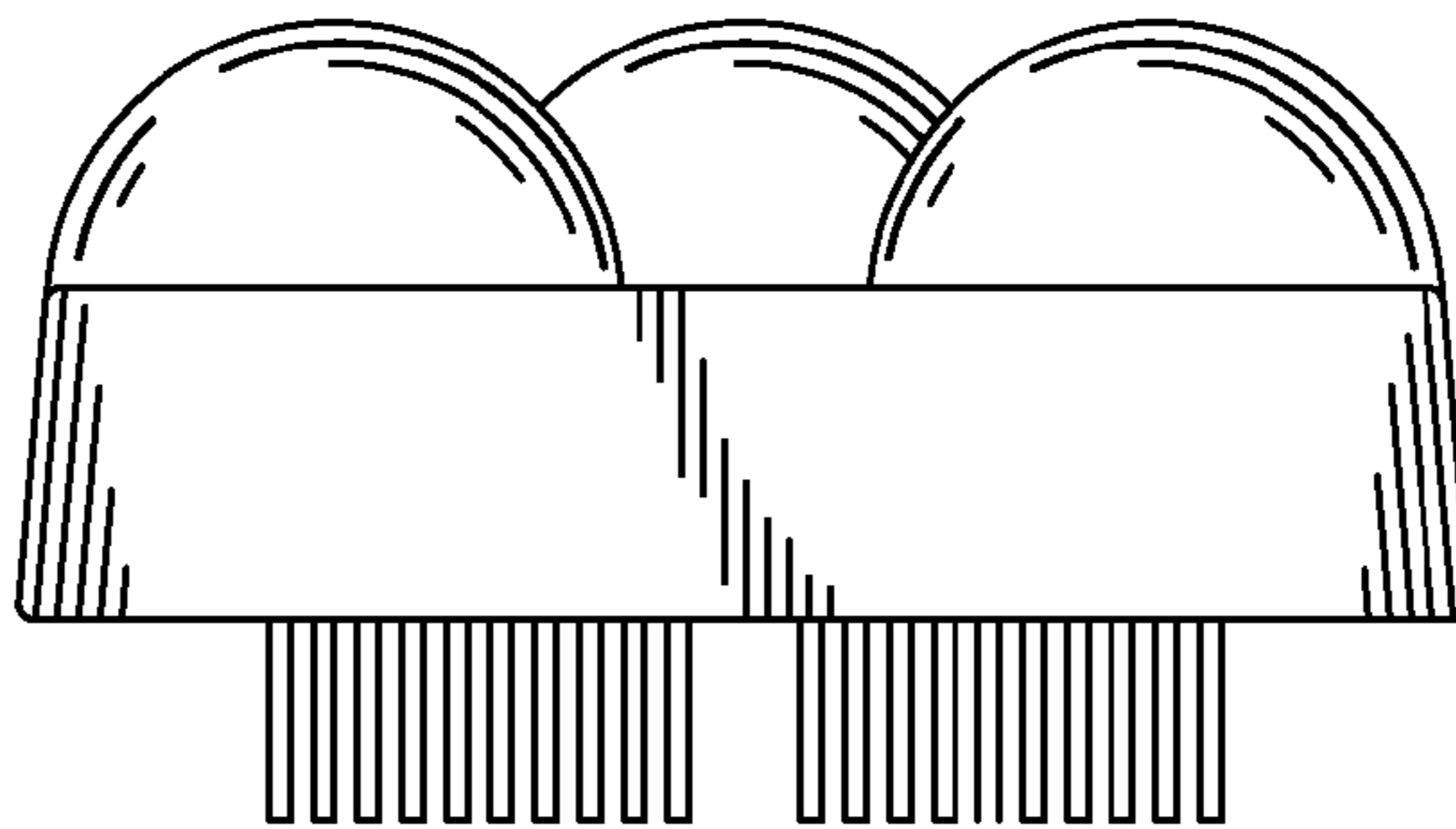


FIG. 5

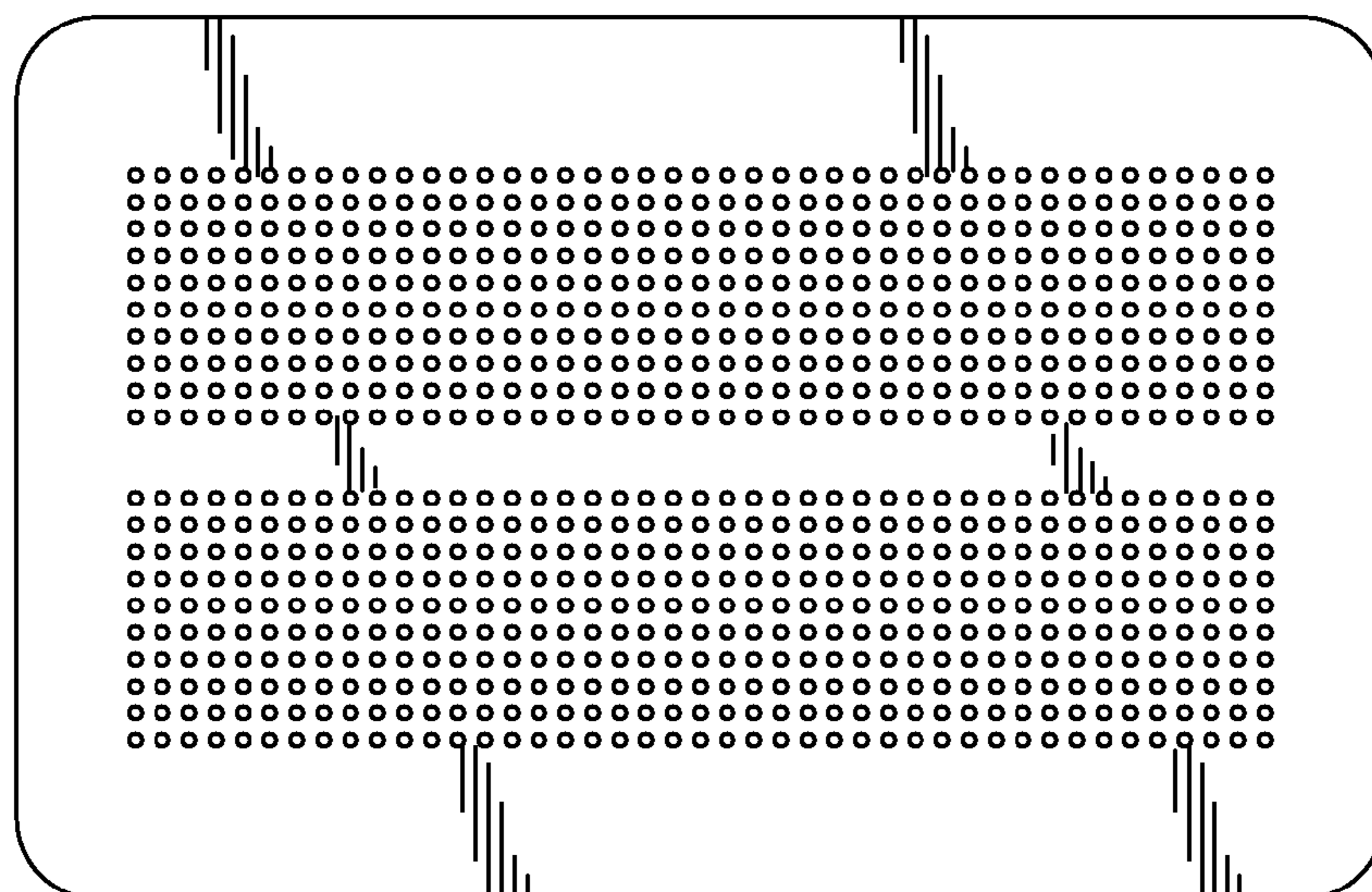


FIG. 6