



US00D610694S

(12) **United States Design Patent**  
**Baldacchini**

(10) **Patent No.:** **US D610,694 S**

(45) **Date of Patent:** **\*\* Feb. 23, 2010**

(54) **SKIN TREATMENT APPARATUS**

(76) **Inventor:** **Marcello Rinaldo Baldacchini**, Via  
Guerini, 27, S. Eufemia, BS (IT) I-25135

(\*\*) **Term:** **14 Years**

(21) **Appl. No.:** **29/305,256**

(22) **Filed:** **Mar. 17, 2008**

(30) **Foreign Application Priority Data**

Mar. 11, 2008 (IT) ..... BS2008O0018

(51) **LOC (9) Cl.** ..... **28-03**

(52) **U.S. Cl.** ..... **D24/209**

(58) **Field of Classification Search** ..... D24/209,  
D24/133, 200, 210–215; D26/37; D28/52,  
D28/53, 54; 362/29, 109, 259, 260, 262,  
362/800; 606/1, 2, 2.5, 4, 9, 131–133; 607/1–3,  
607/89, 98, 99

See application file for complete search history.

(56) **References Cited**

**U.S. PATENT DOCUMENTS**

5,514,167 A \* 5/1996 Smith et al. .... 607/75

D414,582 S \* 9/1999 Hwang ..... D28/9

5,995,869 A \* 11/1999 Cormier et al. .... 604/20  
6,119,038 A \* 9/2000 Cook ..... 607/3  
D437,938 S \* 2/2001 Ko et al. .... D24/200  
D444,557 S \* 7/2001 Levaughn et al. .... D24/146  
D481,463 S \* 10/2003 Cook et al. .... D24/200  
D490,528 S \* 5/2004 Cook et al. .... D24/200  
D507,654 S \* 7/2005 Gollnick et al. .... D24/210  
2006/0247742 A1 \* 11/2006 Lee ..... 607/89

\* cited by examiner

*Primary Examiner*—Prabhakar Deshmukh

*Assistant Examiner*—Derrick Holland

(74) *Attorney, Agent, or Firm*—Kilyk & Bowersox, P.L.L.C.

(57) **CLAIM**

The ornamental design for a skin treatment apparatus, as shown and described.

**DESCRIPTION**

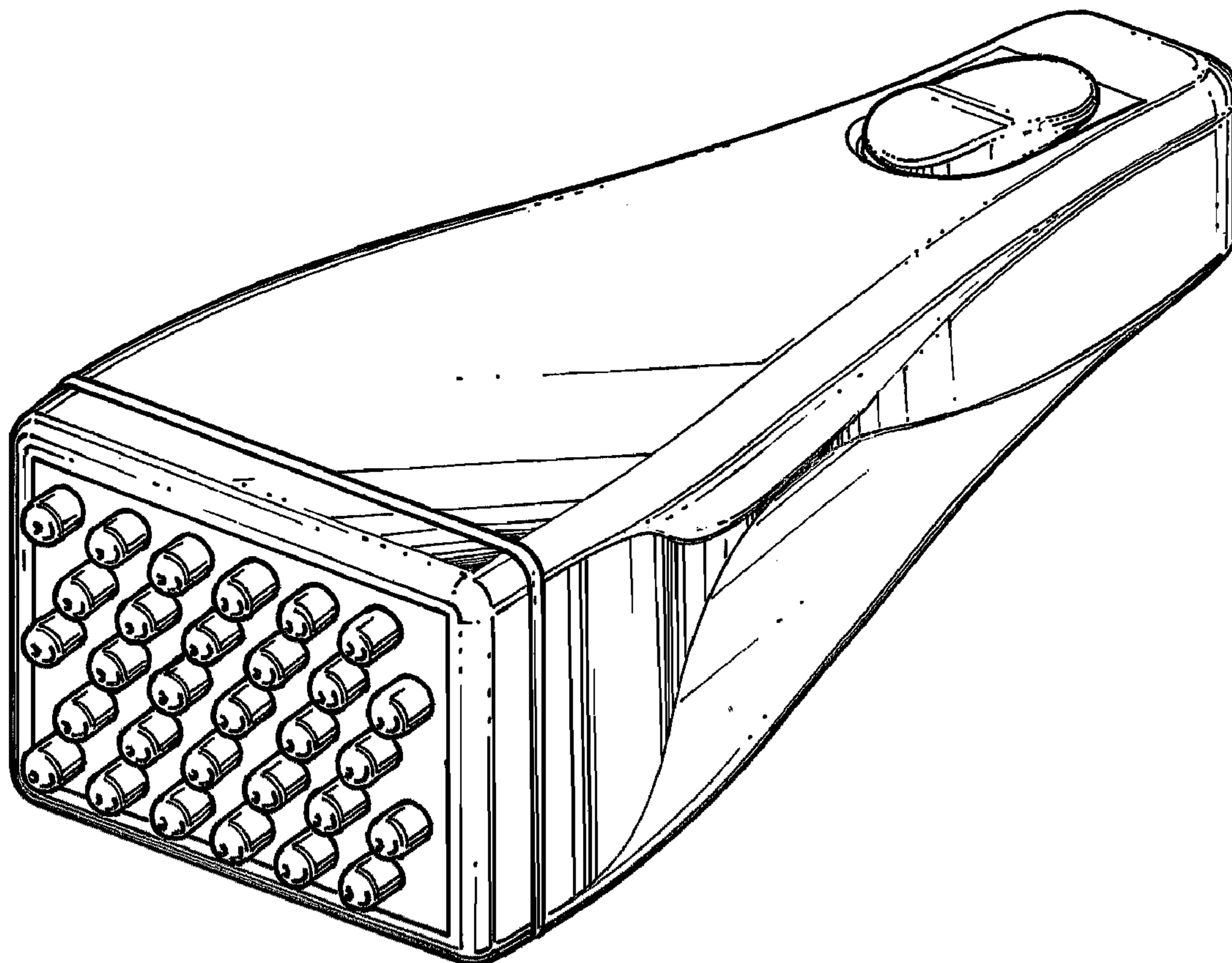
FIG. 1 is a perspective view of a skin treatment apparatus, showing my new design from the top and left side;

FIG. 2 is a perspective view thereof, from rear and right side;

FIG. 3 is a right side elevation view thereof; and,

FIG. 4 is a top plan view thereof.

**1 Claim, 3 Drawing Sheets**



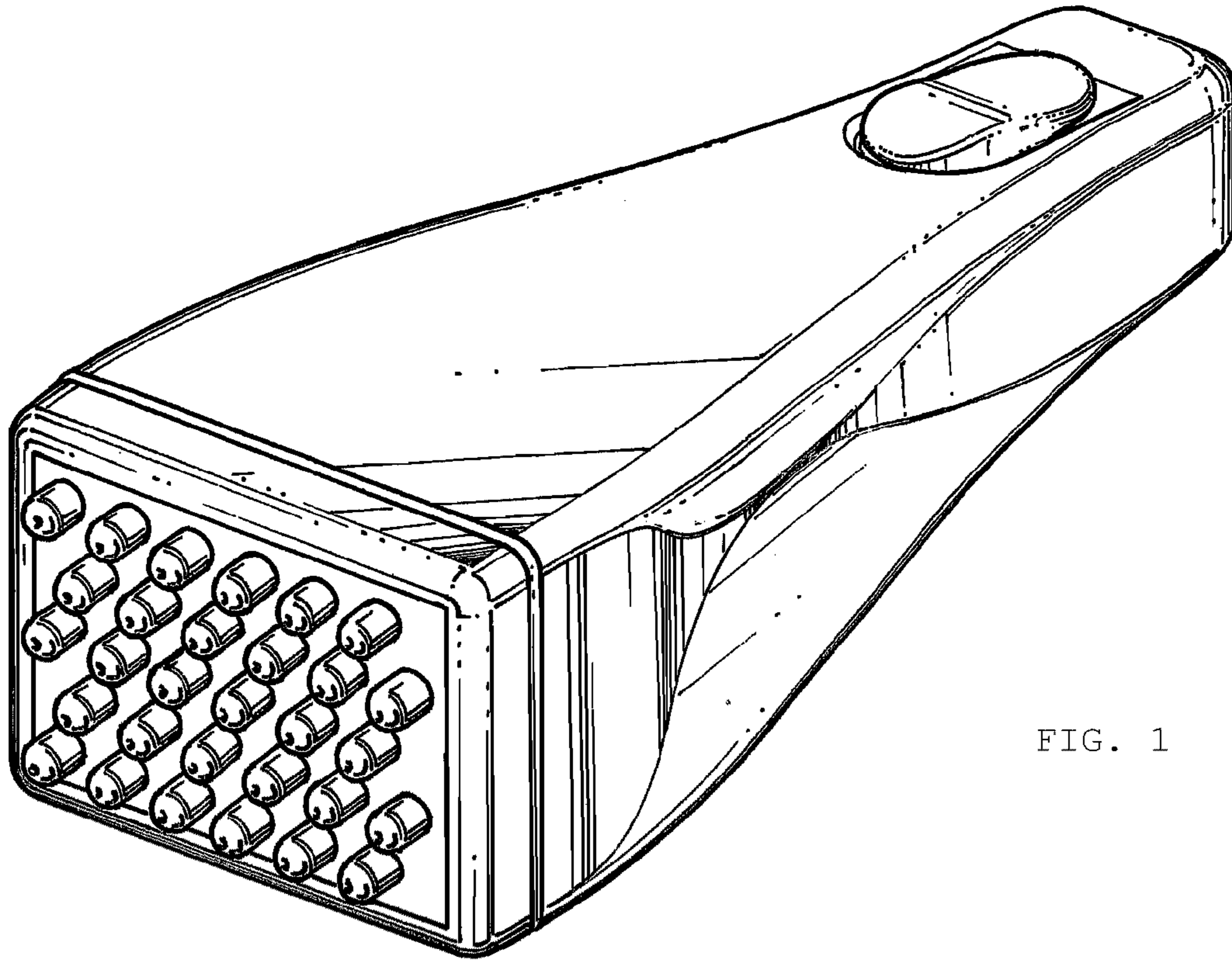


FIG. 1

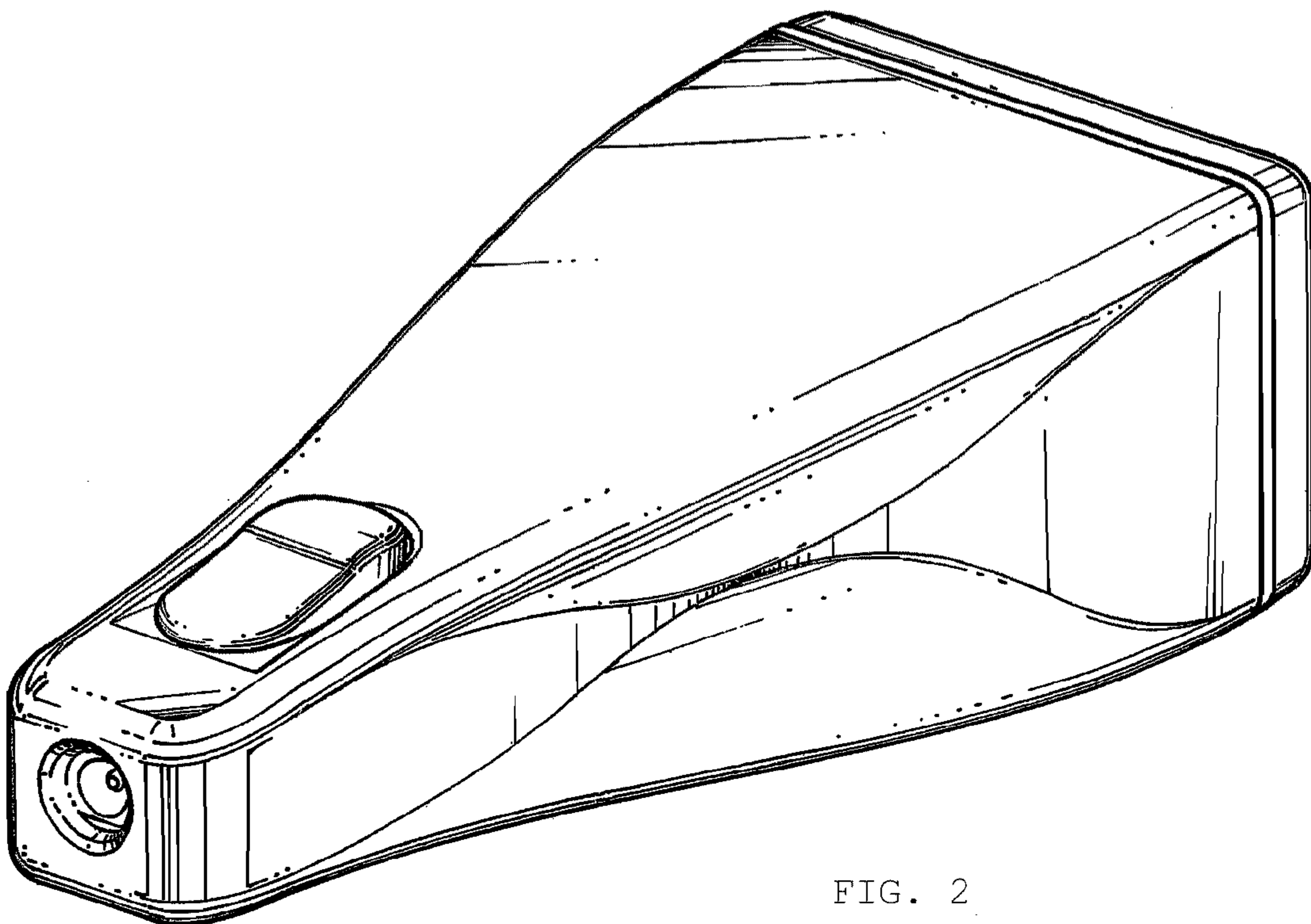


FIG. 2

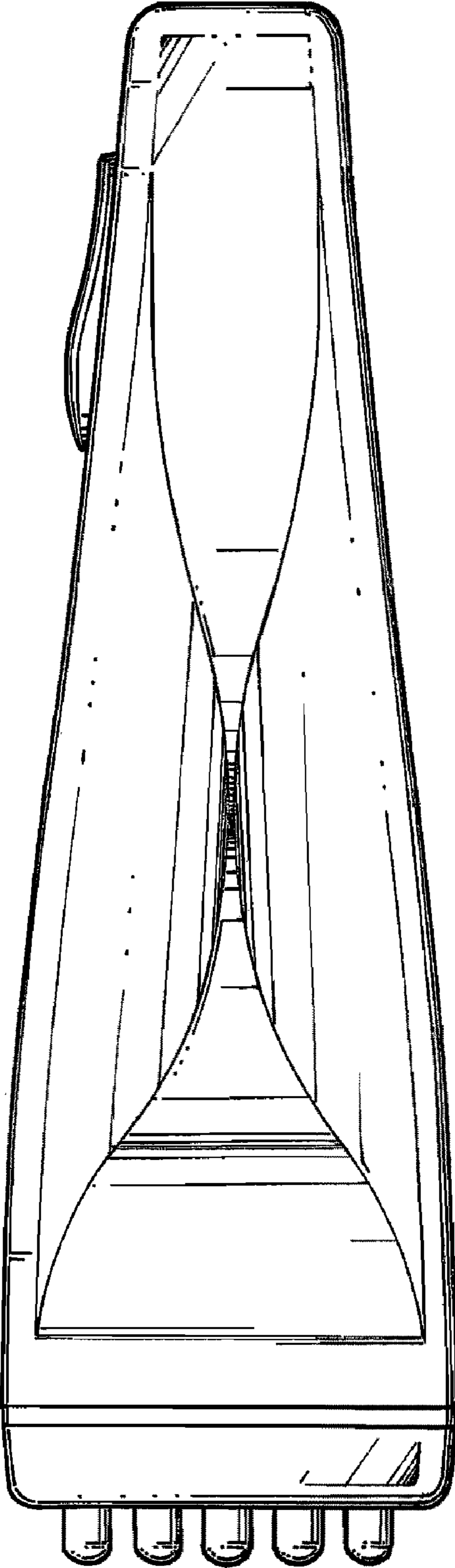


FIG. 3

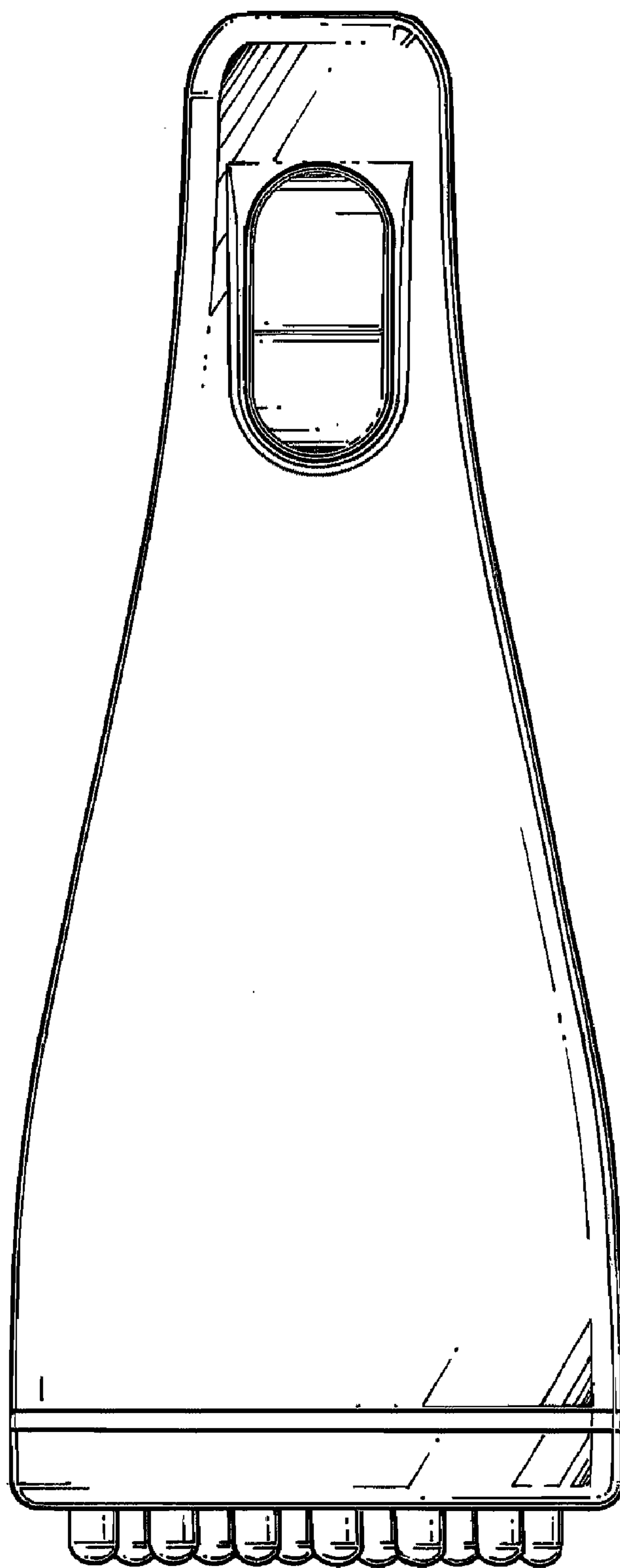


FIG. 4