



US00D610689S

(12) **United States Design Patent**
Garcia

(10) **Patent No.:** **US D610,689 S**

(45) **Date of Patent:** **** Feb. 23, 2010**

(54) **KNEE BENDING REHABILITATION APPARATUS**

(76) **Inventor:** **José Garcia**, 7520 Virginia Ave., St. Louis, MO (US) 63111

(**) **Term:** **14 Years**

(21) **Appl. No.:** **29/343,905**

(22) **Filed:** **Sep. 21, 2009**

(51) **LOC (9) Cl.** **24-04**

(52) **U.S. Cl.** **D24/188**

(58) **Field of Classification Search** D24/188-190; 602/26, 27, 23; 2/910

See application file for complete search history.

(56) **References Cited**

U.S. PATENT DOCUMENTS

D245,537	S *	8/1977	Gurgiolo	D24/190
4,296,744	A *	10/1981	Palumbo	602/26
4,334,528	A *	6/1982	Gauvry	602/26
D275,230	S *	8/1984	Hubbard et al.	D24/190
4,872,448	A *	10/1989	Johnson, Jr.	602/26
4,940,044	A *	7/1990	Castillo	602/16
5,020,797	A *	6/1991	Burns	482/139
D334,063	S *	3/1993	DeWall	D24/190
5,288,287	A *	2/1994	Castillo et al.	602/16
D347,692	S *	6/1994	McCartney	D24/190
D374,313	S *	10/1996	Munoz	D29/101.1
D381,428	S *	7/1997	Torok et al.	D24/190
D443,115	S *	5/2001	Brite et al.	D29/100
D462,772	S *	9/2002	Lamping et al.	D24/190
6,540,711	B2 *	4/2003	Cox	602/26
6,610,023	B2 *	8/2003	Steponovich	602/26
6,641,549	B2 *	11/2003	Darcey	602/8

6,702,768	B2 *	3/2004	Mano et al.	601/29
6,852,088	B2 *	2/2005	Gaylord	602/19
6,863,657	B1 *	3/2005	Clements et al.	602/26
D503,806	S *	4/2005	Williams	D24/190
6,969,365	B2 *	11/2005	Scorvo	602/16
7,048,704	B2 *	5/2006	Sieller et al.	602/16
D548,844	S *	8/2007	Castillo	D24/190
D556,330	S *	11/2007	Auerbach et al.	D24/190
7,481,785	B2 *	1/2009	Turrini et al.	602/16
7,507,215	B2 *	3/2009	Ryan	602/23
7,553,289	B2 *	6/2009	Cadichon	602/23

* cited by examiner

Primary Examiner—T. Chase Nelson

Assistant Examiner—Michelle E Wilson

(74) *Attorney, Agent, or Firm*—Kevin L. Klug

(57) **CLAIM**

The ornamental design for a knee bending rehabilitation apparatus.

DESCRIPTION

FIG. 1 is a rear left perspective view of a knee bending rehabilitation apparatus;

FIG. 2 is a front left perspective view thereof;

FIG. 3 is a front side plan view thereof;

FIG. 4 is a rear side plan view thereof;

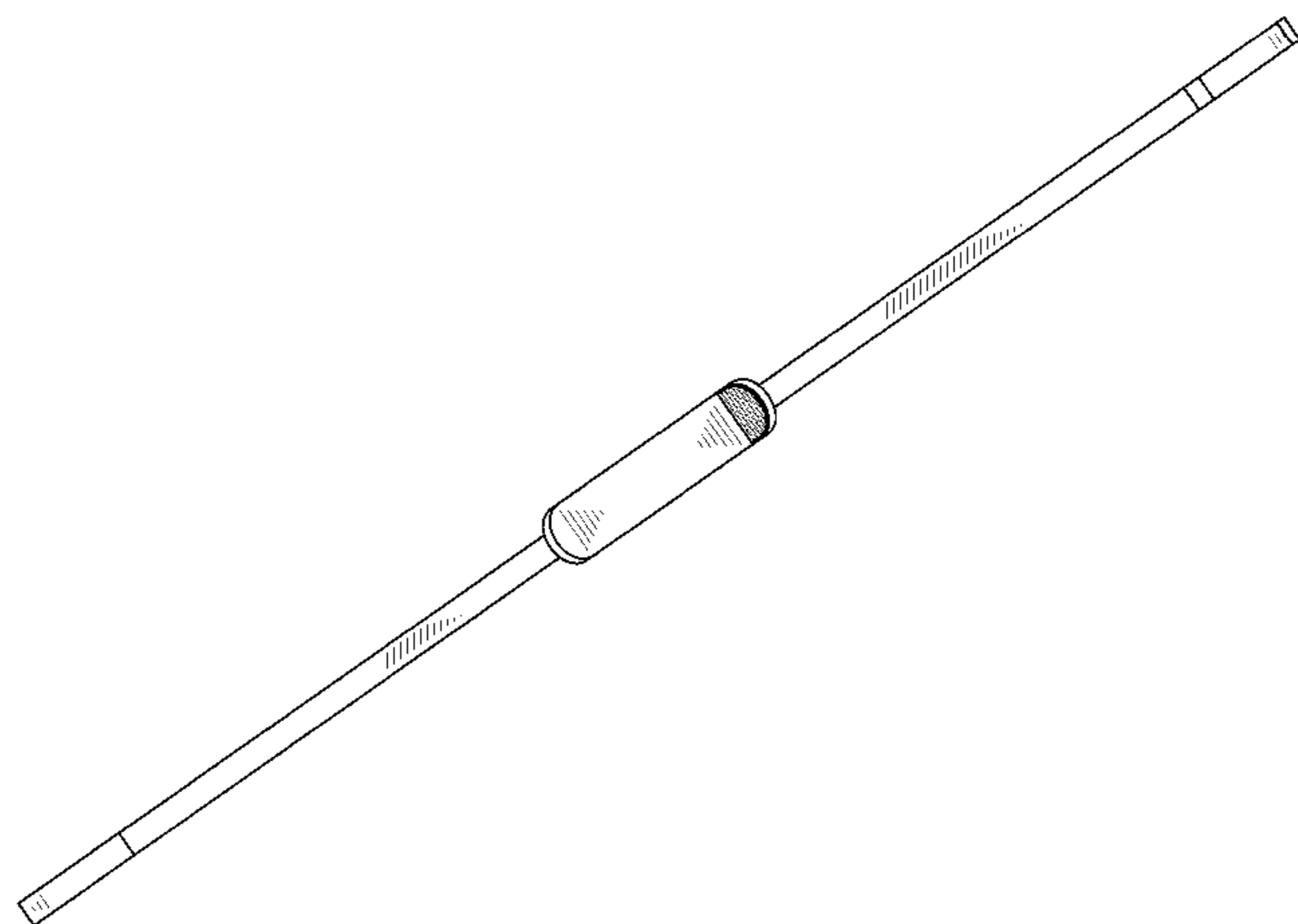
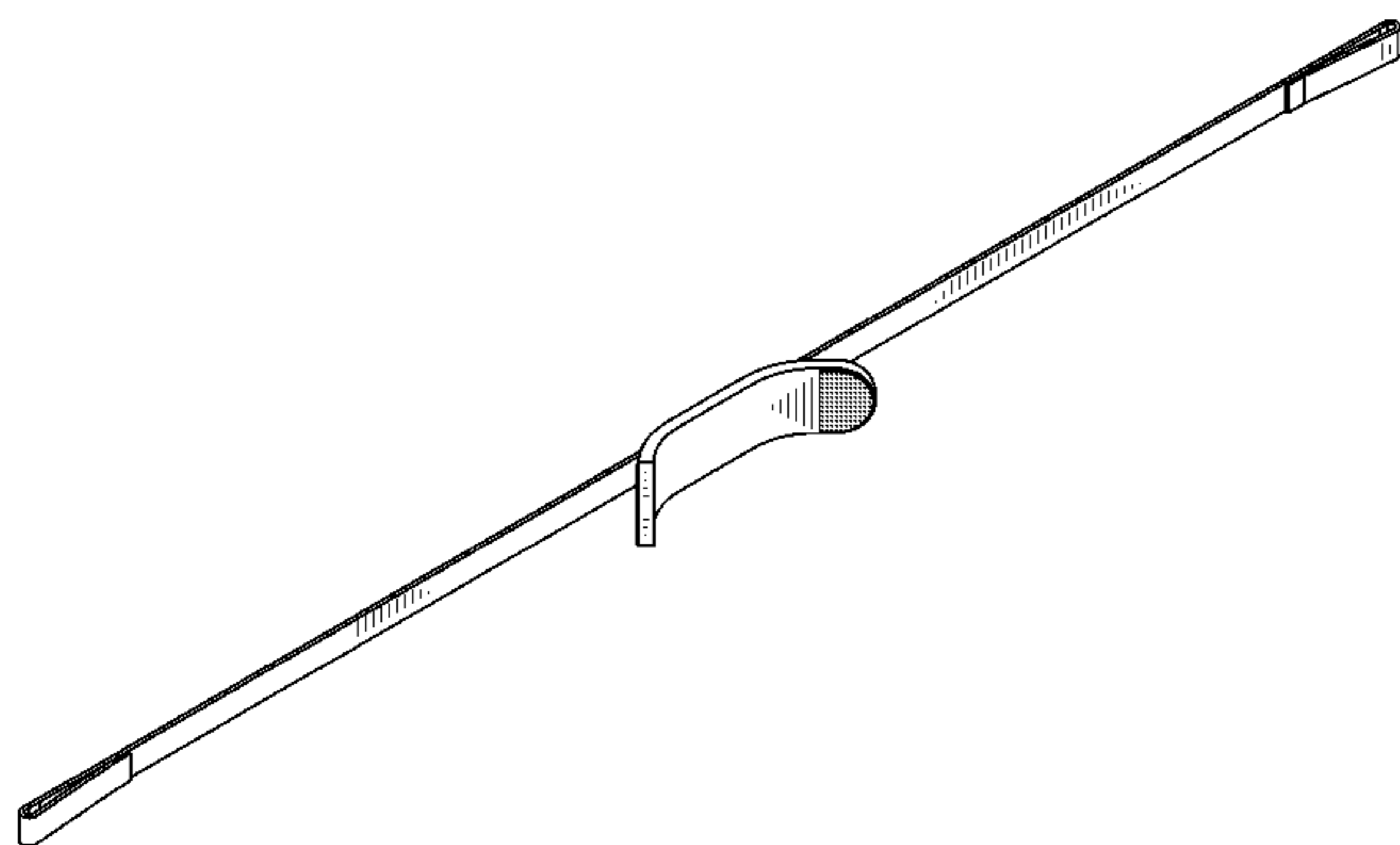
FIG. 5 is a bottom side plan view thereof;

FIG. 6 is a top side plan view thereof;

FIG. 7 is a left side plan view thereof; and,

FIG. 8 is a right side plan view thereof.

1 Claim, 7 Drawing Sheets



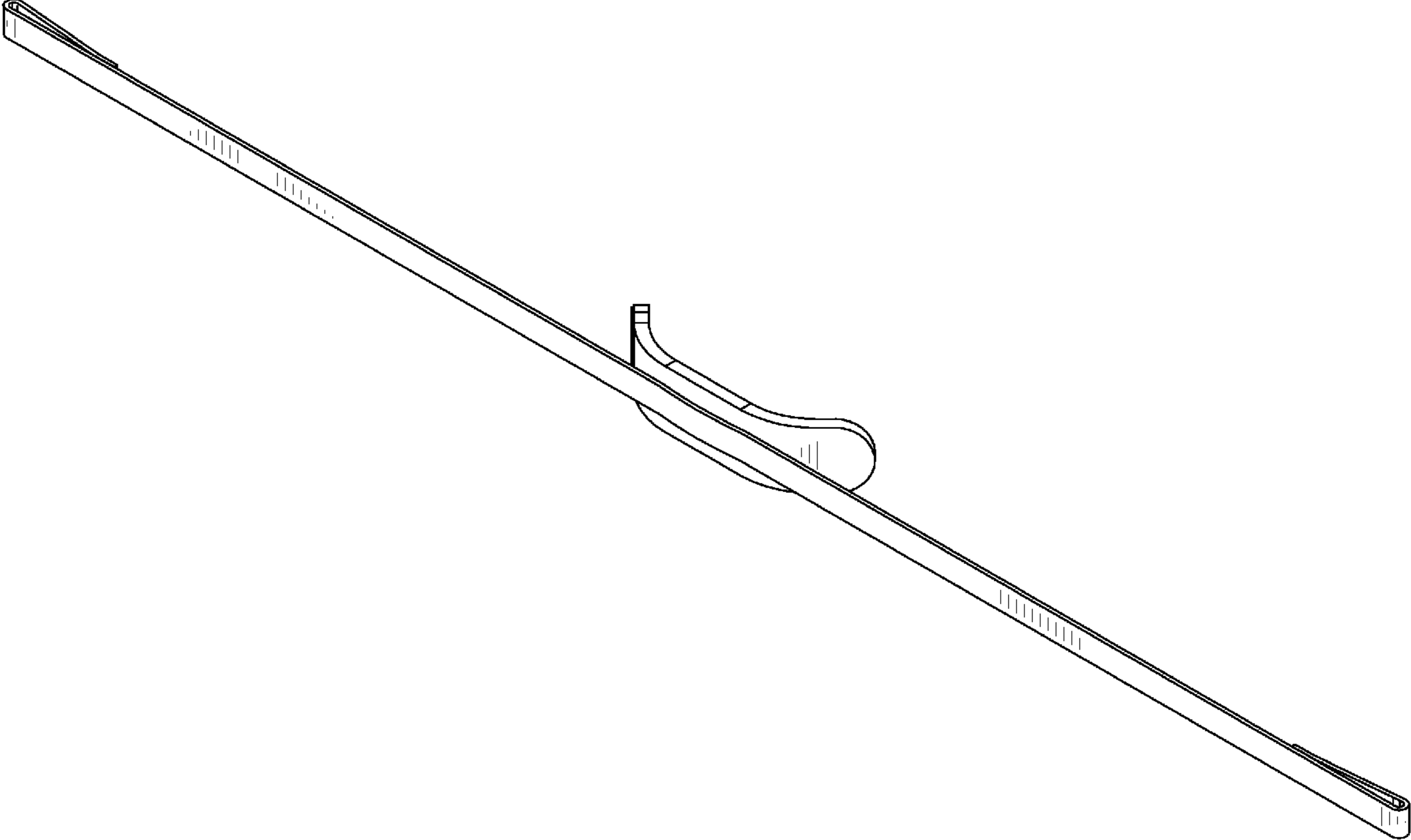


Fig. 1

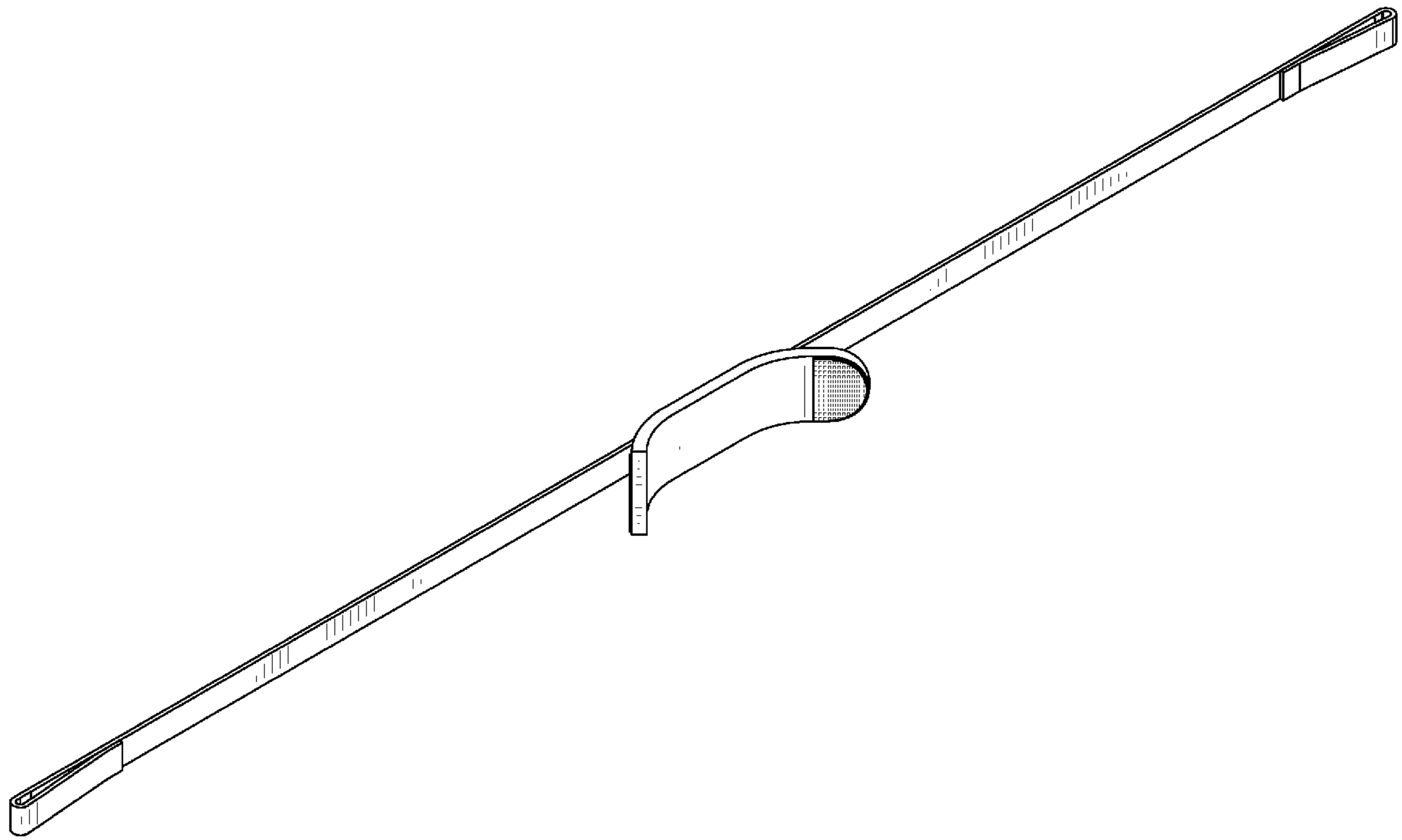


Fig. 2

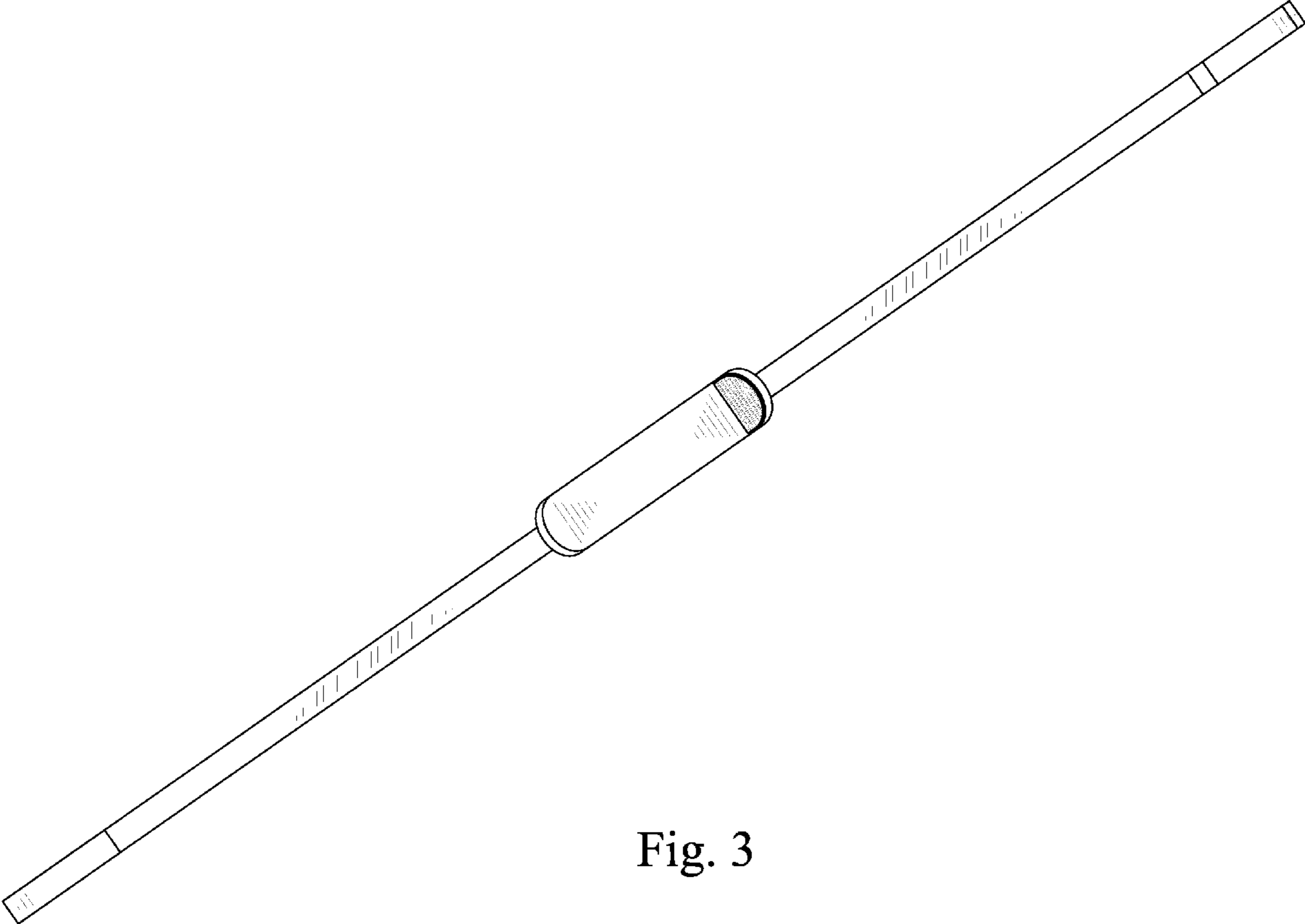


Fig. 3

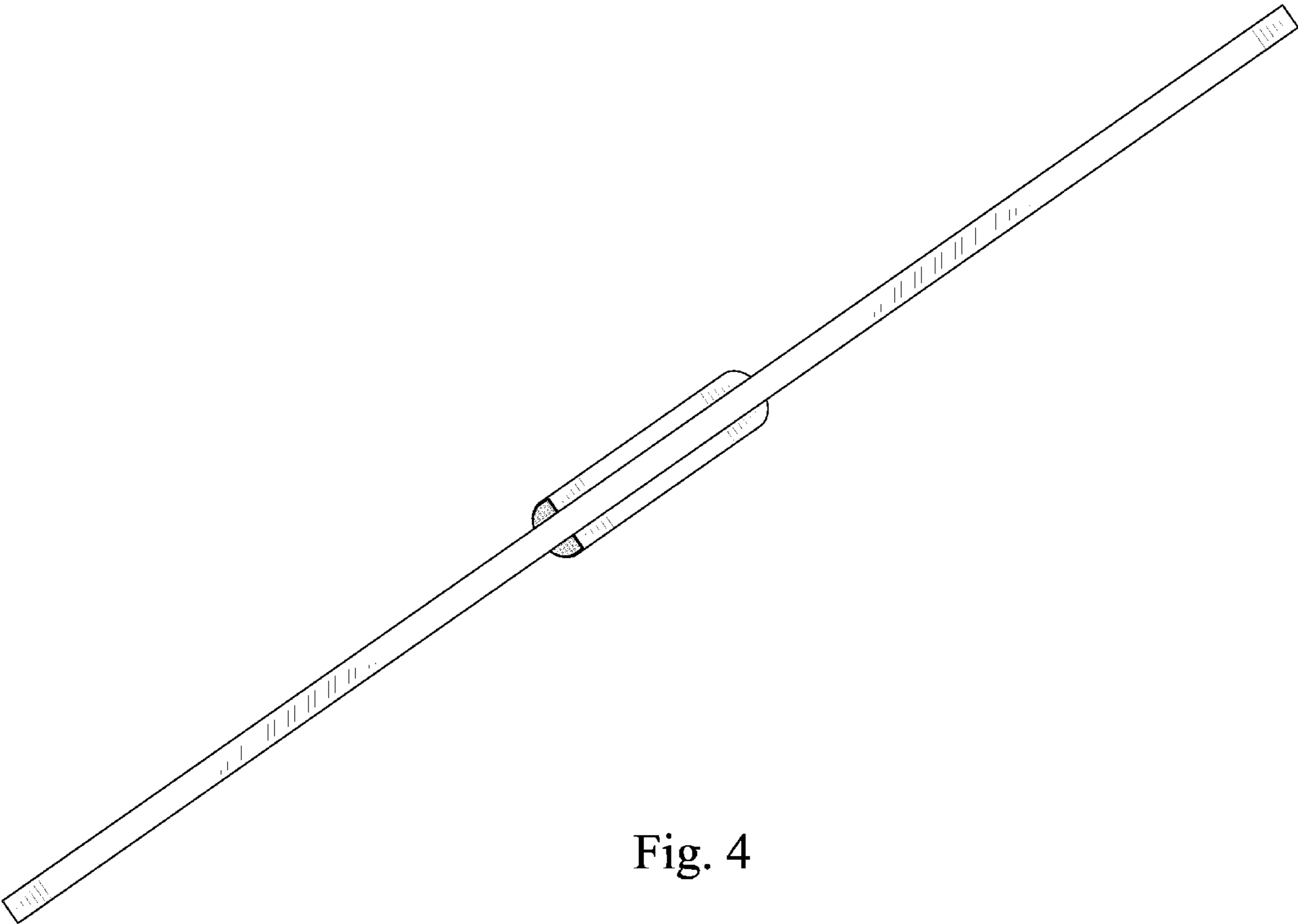


Fig. 4

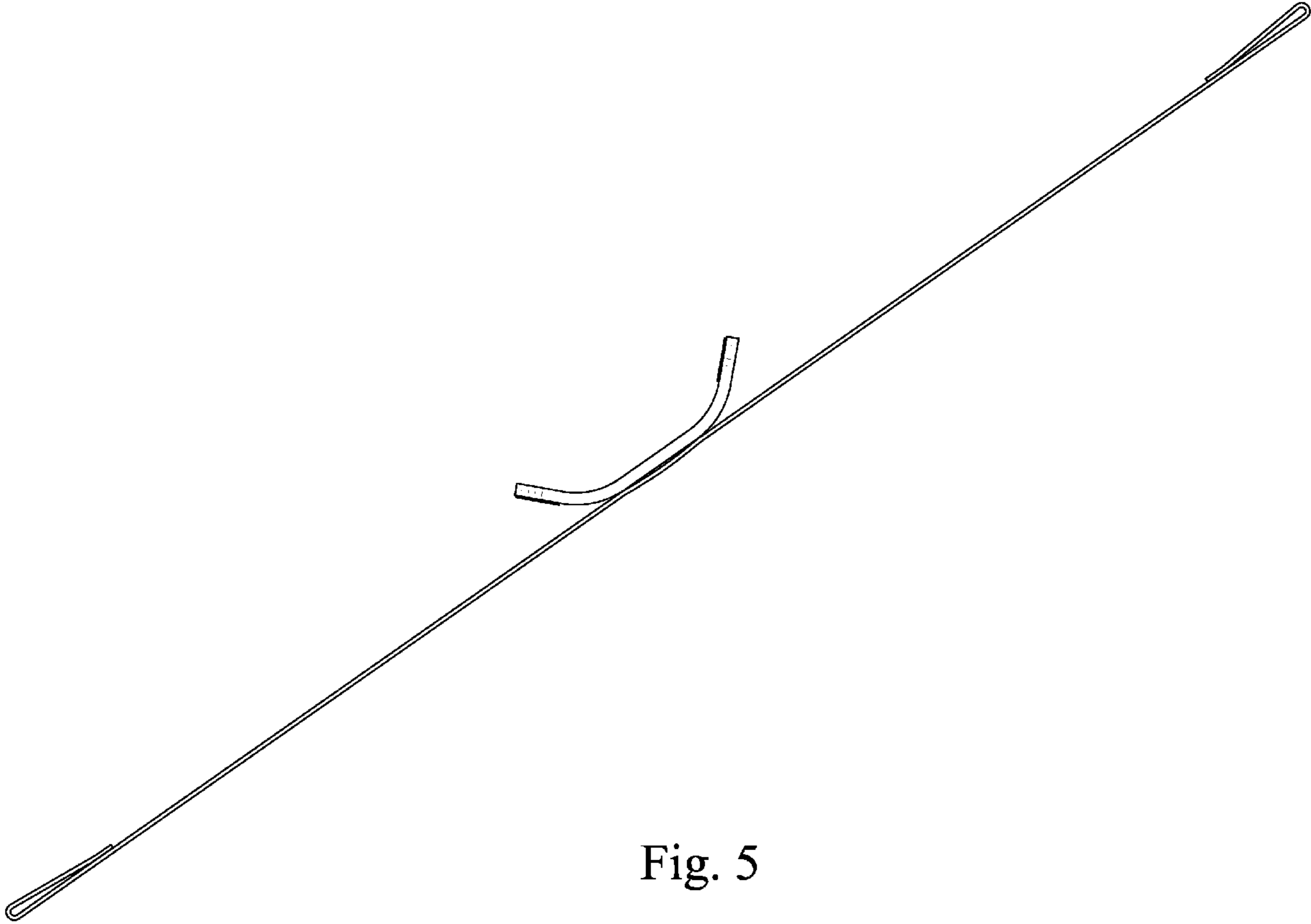


Fig. 5

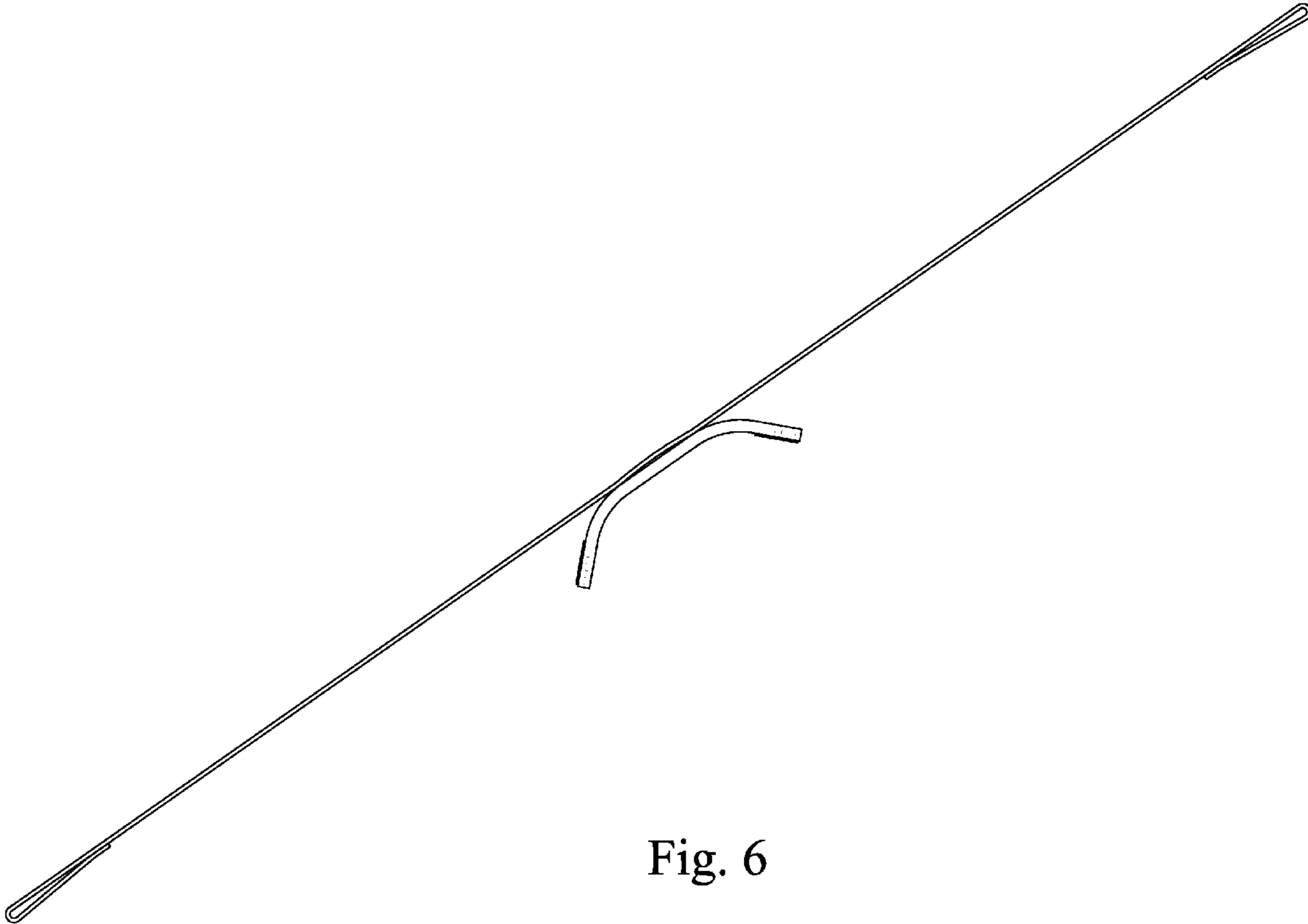


Fig. 6

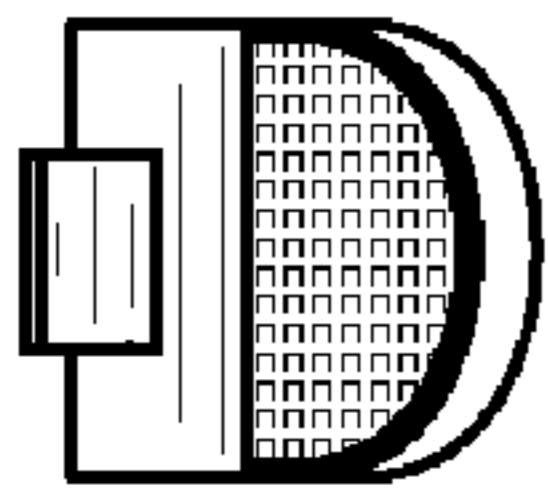


Fig. 7

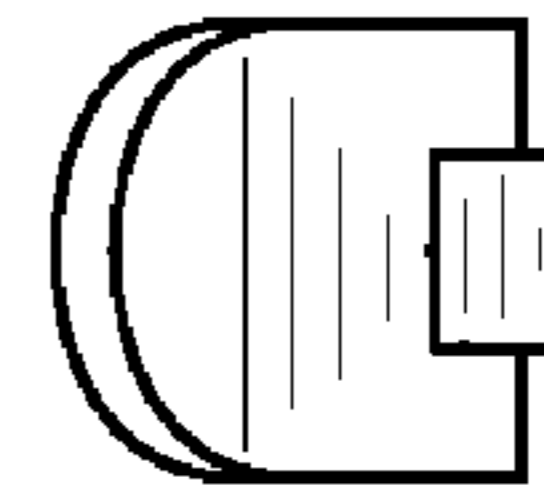


Fig. 8