



US00D610687S

(12) **United States Design Patent**  
**Boggs et al.**

(10) **Patent No.:** **US D610,687 S**

(45) **Date of Patent:** **\*\* Feb. 23, 2010**

(54) **CPR APPARATUS**

7,569,021 B2 \* 8/2009 Sebelius et al. .... 601/41

(76) Inventors: **Christopher R. Boggs**, 154 Helmbright Ct., Gahannah, OH (US) 43230; **Jeffrey R. Burger**, 876 S. Cassingham, Bexley, OH (US) 43209; **Chris W. Cicenas**, 115 Glen Crossing Dr., Pataskala, OH (US) 43062; **Thomas E. Lach**, 2844 Mt. Holyoke, Columbus, OH (US) 43212

\* cited by examiner

*Primary Examiner*—T. Chase Nelson  
*Assistant Examiner*—Anhdao Doan  
(74) *Attorney, Agent, or Firm*—Friedman & Friedman, Ltd.; Eugene F. Friedman

(\*\*) Term: **14 Years**

The ornamental design for a CPR apparatus, as shown and described.

(21) Appl. No.: **29/314,047**

(22) Filed: **Feb. 27, 2009**

**CLAIM**

(51) **LOC (9) Cl.** ..... **24-01**

(52) **U.S. Cl.** ..... **D24/164**

(58) **Field of Classification Search** ..... D24/164–169, D24/186; 601/41–44, 107, 108, 134, 143; 607/142, 145, 149, 150

See application file for complete search history.

**CLAIM**

**DESCRIPTION**

Reference is made to the utility patent application entitled Manual CPR Apparatus with Force Multiplier with the inventors Chris W. Cicenas and Thomas E. Lach, 61/208,849, filed on the same date as the present application, the disclosure of which is incorporated here.

This invention was made under a contract with an agency of the United States government. The name of the U.S. agency and the government contract number are: National Institute of Health contract number R41 HL071378.

FIG. 1 is a front, right perspective view of a CPR apparatus showing the new design. The belt shown in phantom represents environmental subject matter and does not form part of the claimed design.

FIG. 2 is a right elevational view thereof. The left elevational view is identical to this view.

FIG. 3 is a front elevational view thereof. The rear elevational view is identical to this view.

FIG. 4 is a top plan view thereof; and,

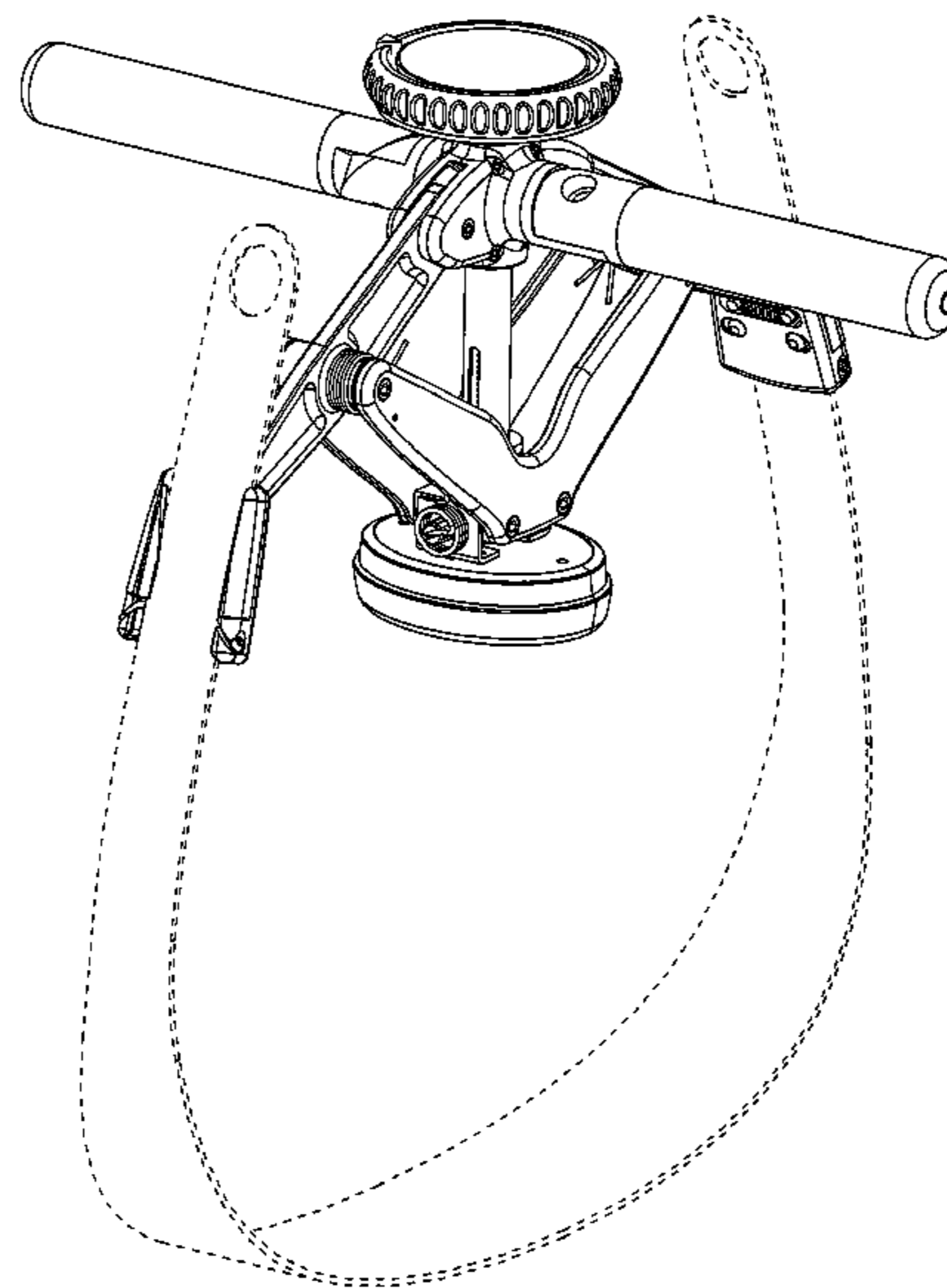
FIG. 5 is a bottom plan view thereof.

(56) **References Cited**

U.S. PATENT DOCUMENTS

- 3,374,783 A \* 3/1968 Hurvitz ..... 601/97
- D256,504 S \* 8/1980 Davis ..... D24/168
- D257,391 S \* 10/1980 Gammon ..... D24/168
- 5,295,481 A \* 3/1994 Geeham ..... 601/43
- 5,738,637 A 4/1998 Kelly et al.
- 6,234,984 B1 5/2001 Kelly et al.
- 6,325,771 B1 12/2001 Kelly et al.
- D461,008 S \* 7/2002 Hampf et al. .... D24/167
- 6,645,163 B2 11/2003 Kelly et al.
- 7,186,225 B2 3/2007 Kelly et al.

**1 Claim, 5 Drawing Sheets**



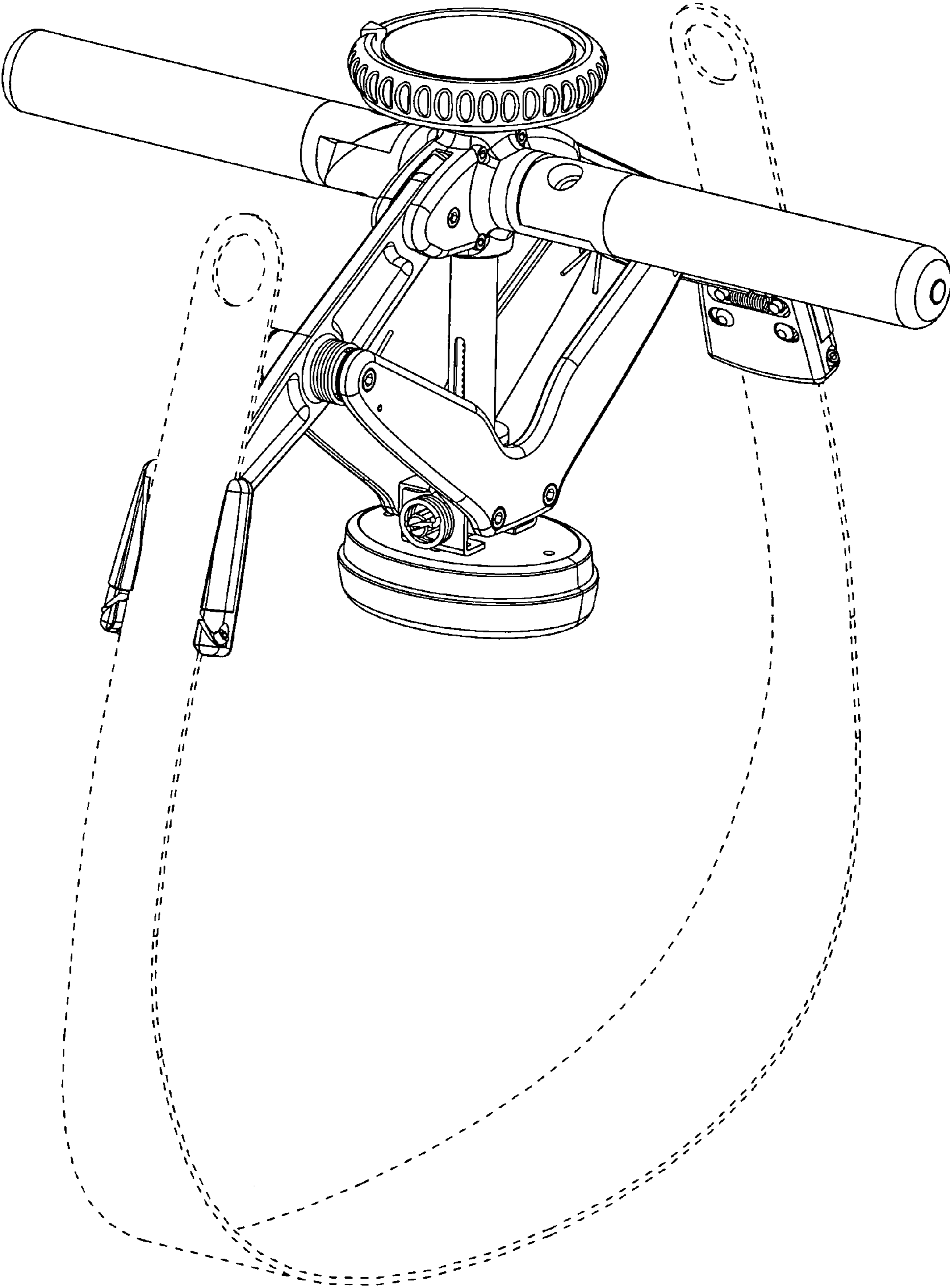


FIG. 1

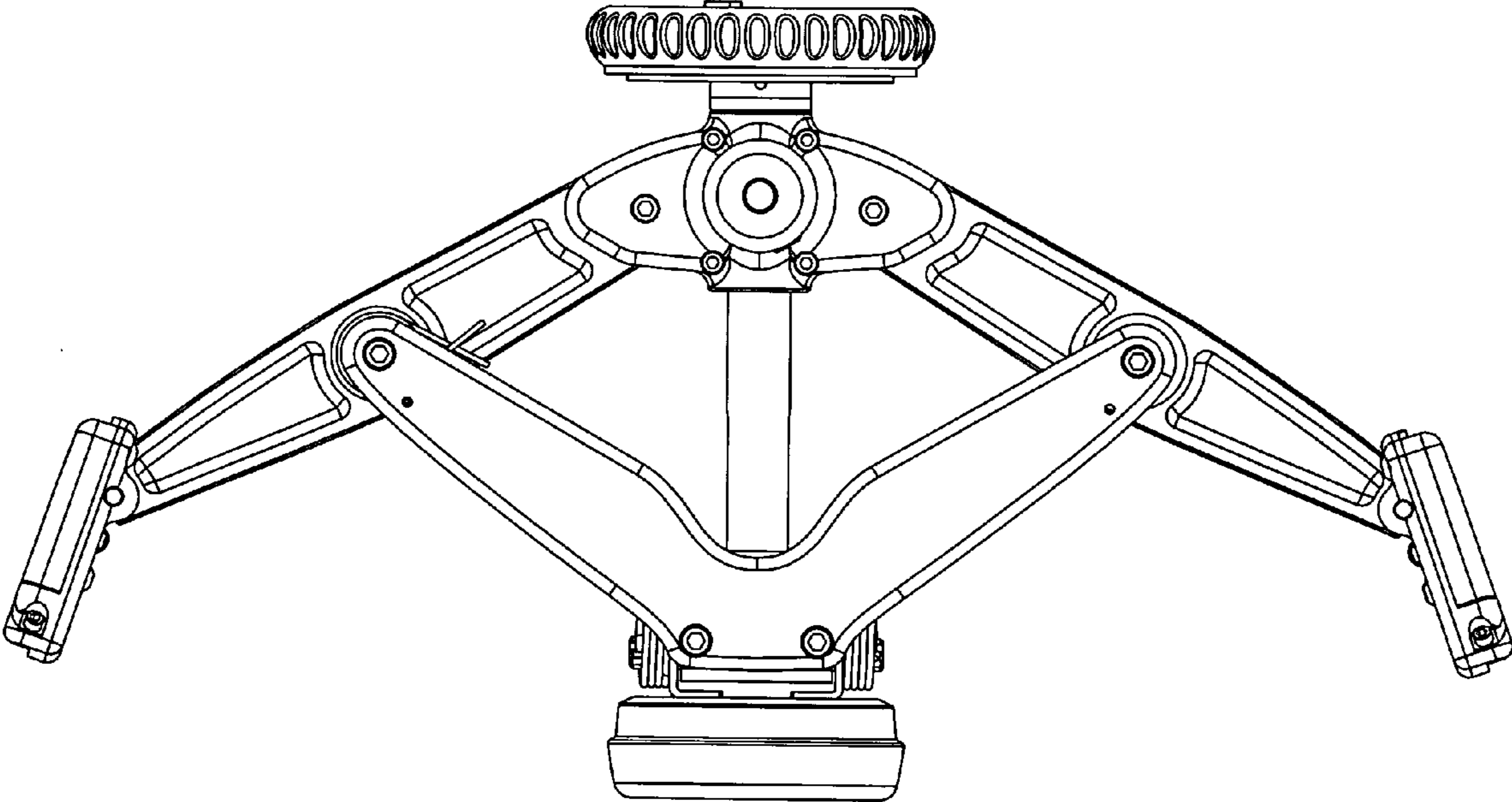


FIG. 2

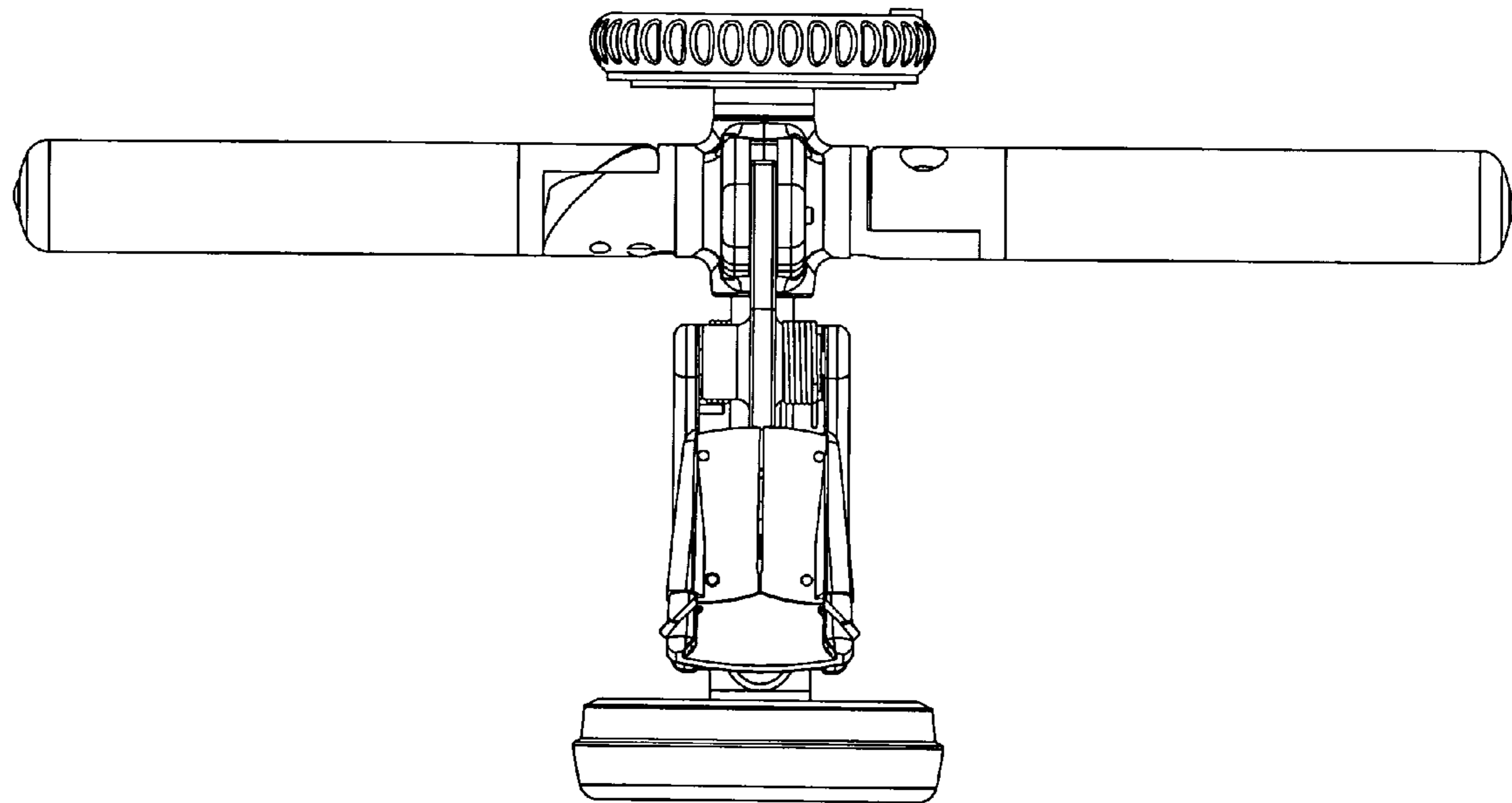


FIG. 3

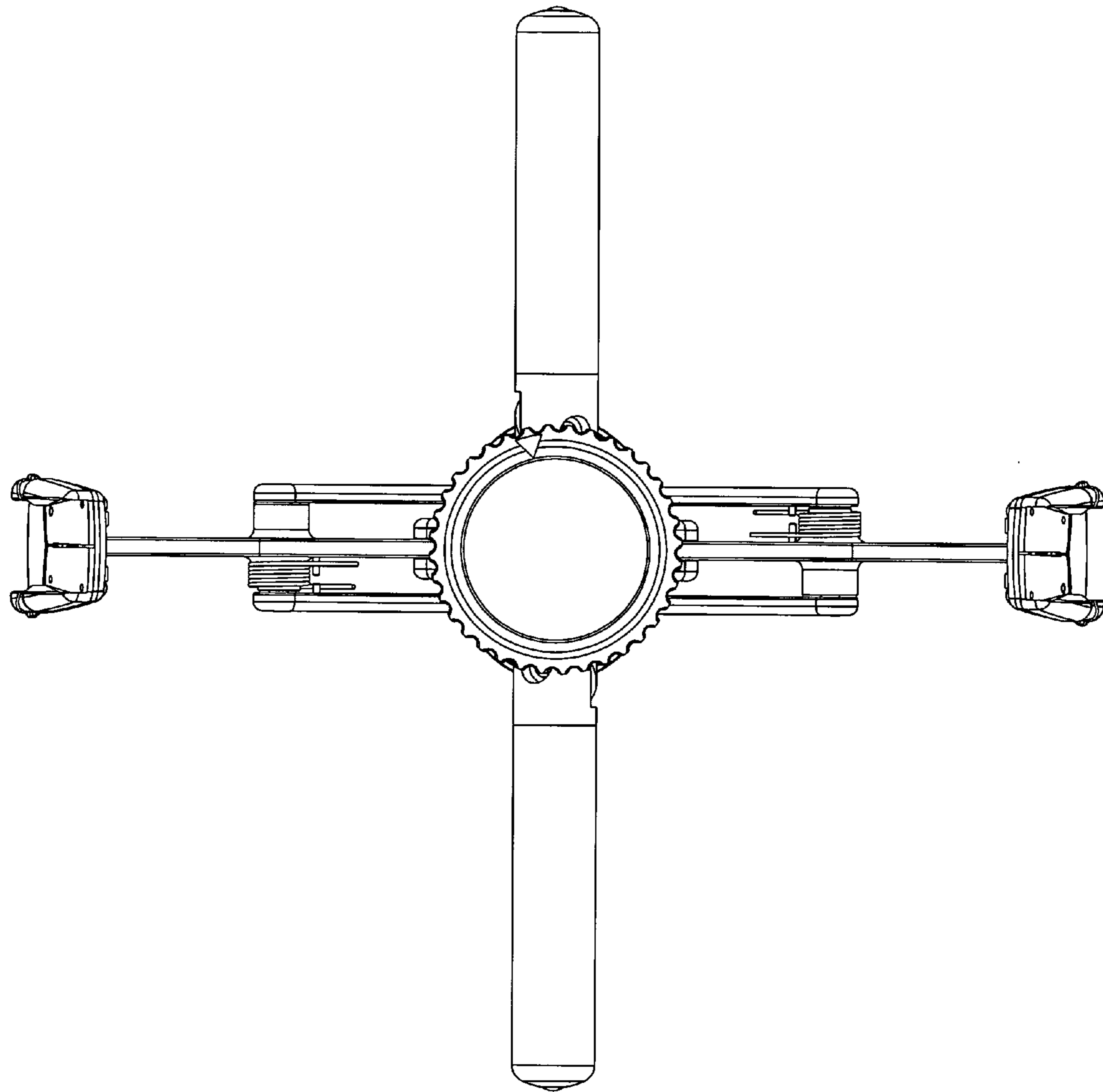


FIG. 4

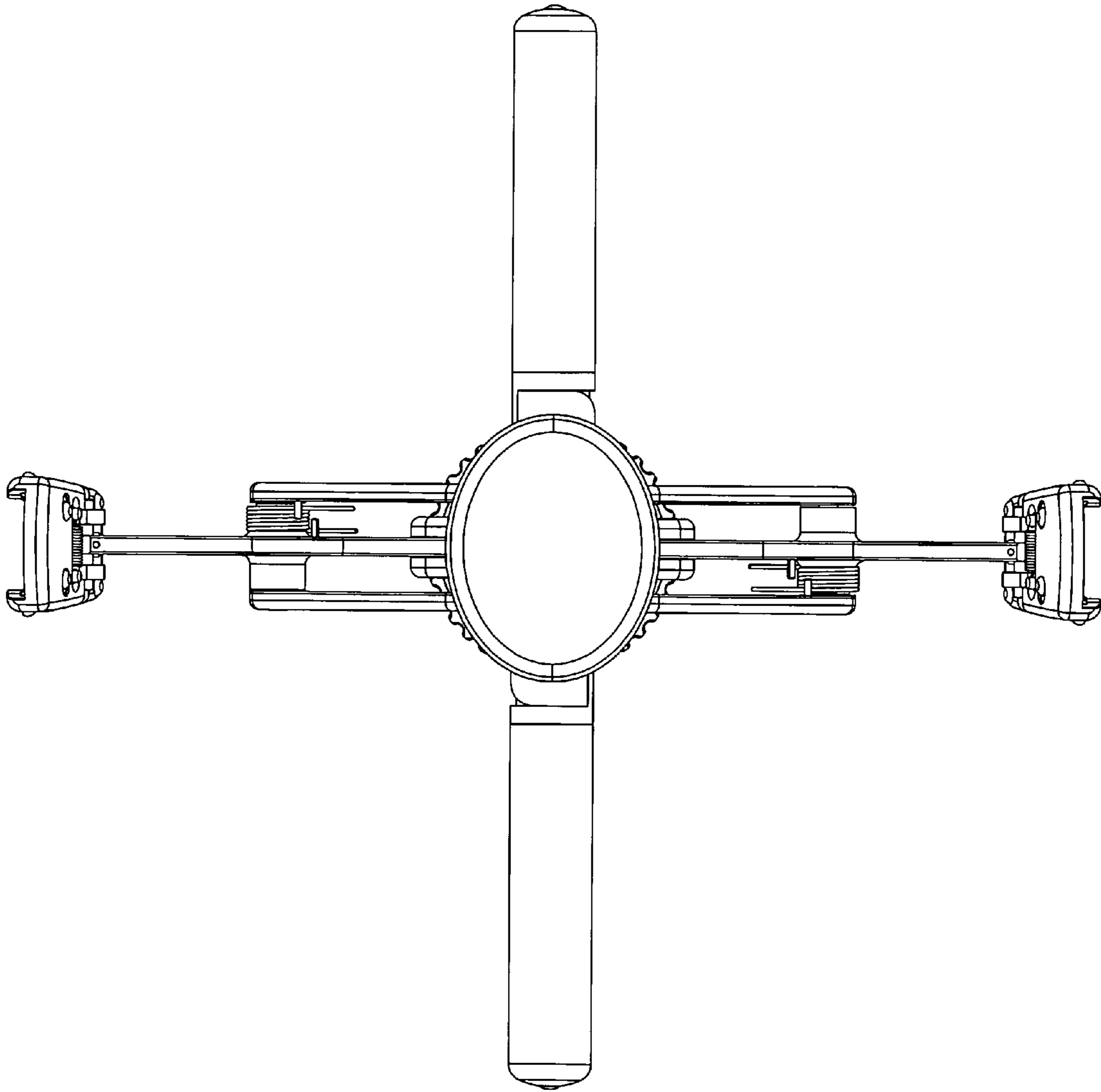


FIG. 5