



US00D610682S

(12) **United States Design Patent**
Stefan

(10) **Patent No.:** **US D610,682 S**

(45) **Date of Patent:** **** Feb. 23, 2010**

- (54) **SHAFT FOR MEDICAL FORCEPS**
- (75) Inventor: **Jochen Stefan**, Wald (DE)
- (73) Assignee: **Karl Storz GmbH & Co., KG** (DE)
- (**) Term: **14 Years**
- (21) Appl. No.: **29/329,624**
- (22) Filed: **Dec. 18, 2008**

- (30) **Foreign Application Priority Data**
Jun. 20, 2008 (EM) 000956263
- (51) **LOC (9) Cl.** **24-02**
- (52) **U.S. Cl.** **D24/140; D24/143**
- (58) **Field of Classification Search** D24/143,
D24/144, 145, 146, 147, 148, 133; 606/205,
606/206, 208, 167, 170, 45, 210, 213, 215
See application file for complete search history.

- (56) **References Cited**
U.S. PATENT DOCUMENTS
5,354,313 A * 10/1994 Boebel 606/208
6,669,696 B2 * 12/2003 Bacher et al. 606/51
D583,472 S * 12/2008 Koh D24/143
D598,547 S * 8/2009 Stefan D24/143

2008/0294192 A1* 11/2008 Stefan et al. 606/205
* cited by examiner

Primary Examiner—Charles A Rademaker
Assistant Examiner—Charles D Hanson
(74) *Attorney, Agent, or Firm*—St. Onge Steward Johnston & Reens LLC

(57) **CLAIM**

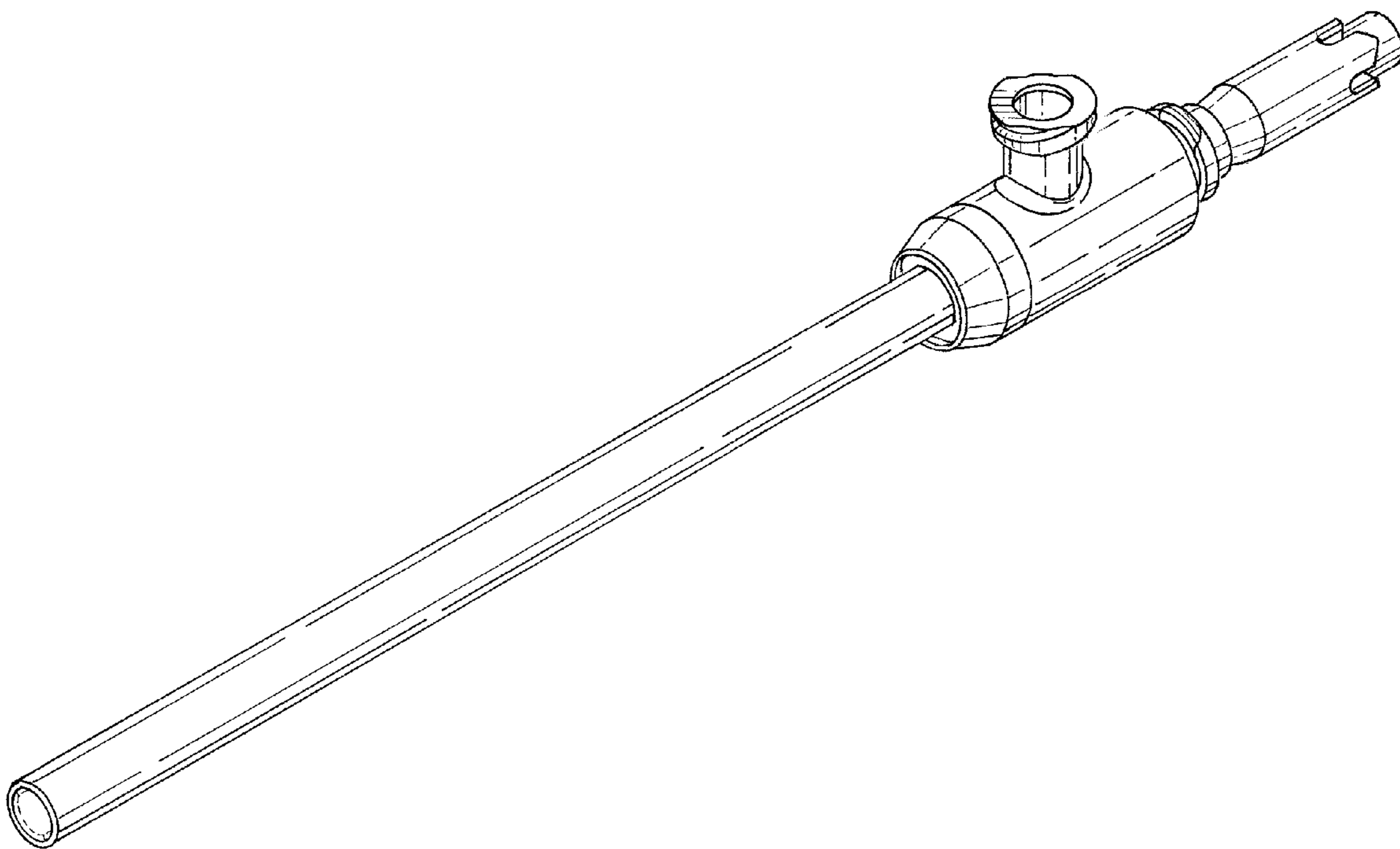
The ornamental design for a shaft for medical forceps, as shown and described.

DESCRIPTION

FIG. 1 is a top isometric view of a shaft for medical forceps in accordance with the new design;
FIG. 2 is a top view thereof;
FIG. 3 is a left side view thereof;
FIG. 4 is a bottom view thereof;
FIG. 5 is a right side view thereof;
FIG. 6 is a rear view thereof;
FIG. 7 is a front view thereof; and,
FIG. 8 is a left side view of a shaft for medical forceps shown in the environment in which it is used.

The broken line shown in the drawings are included for the purpose of illustrating environment and form no part of the claimed design.

1 Claim, 4 Drawing Sheets



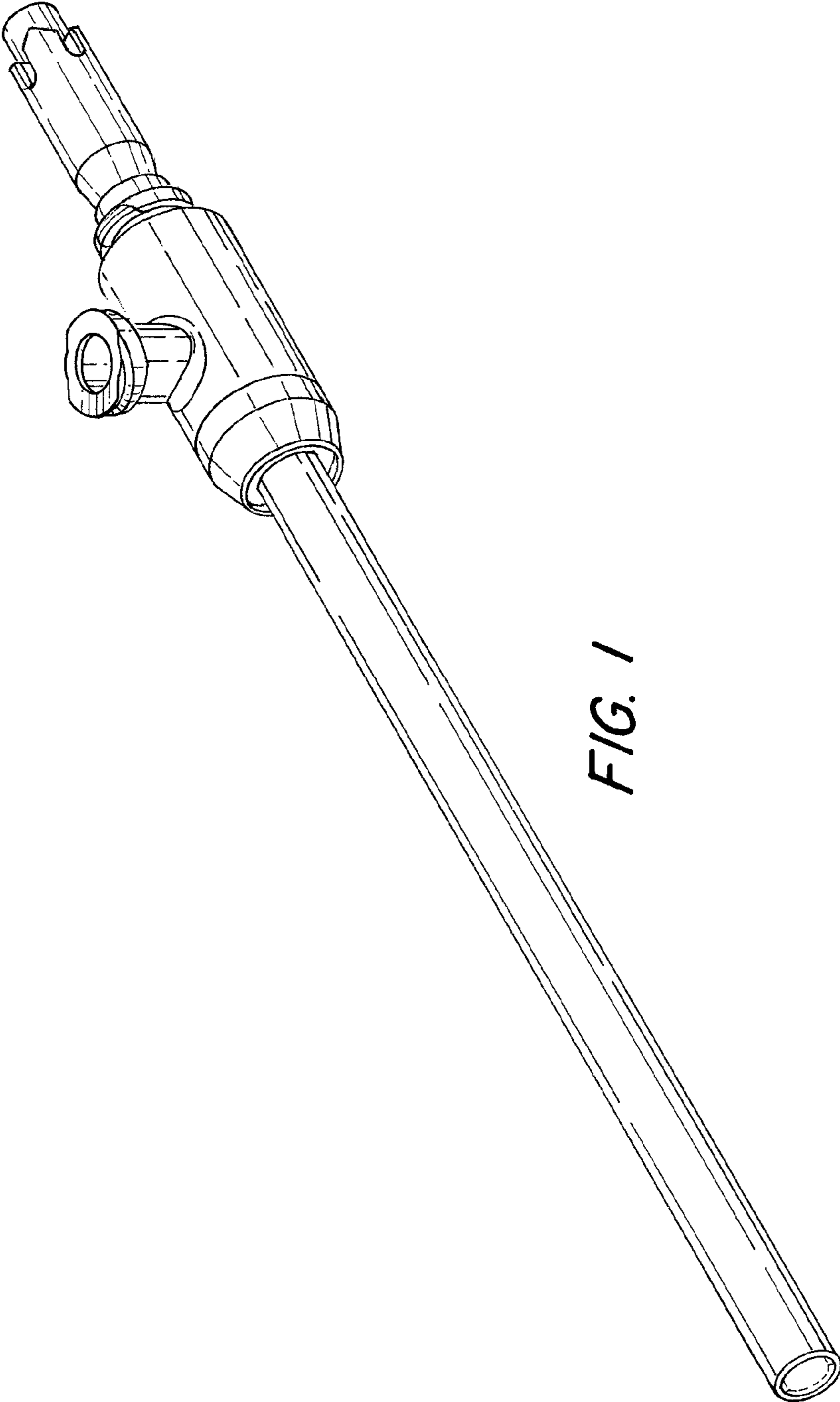


FIG. 1

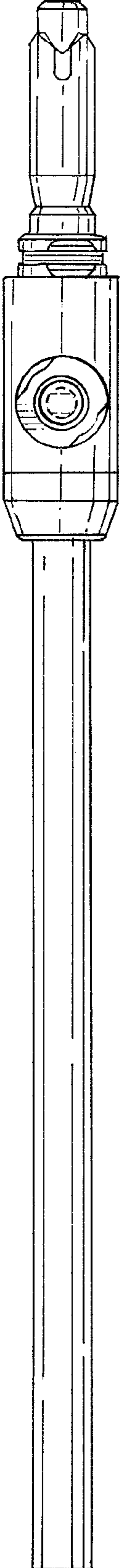


FIG. 2

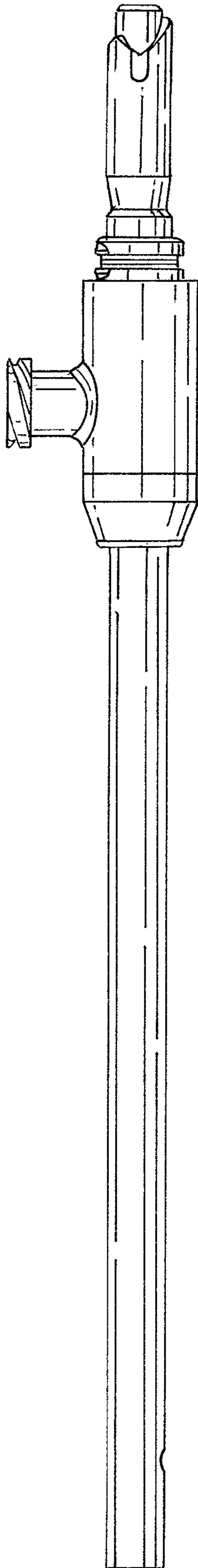


FIG. 3

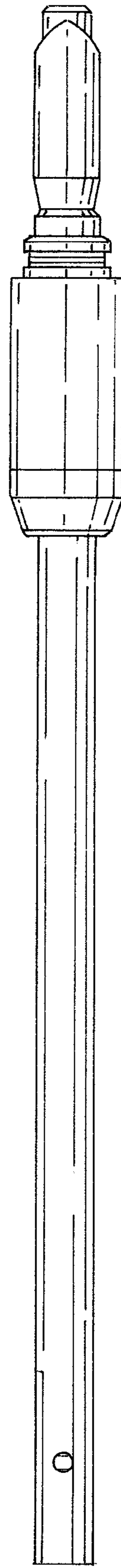


FIG. 4

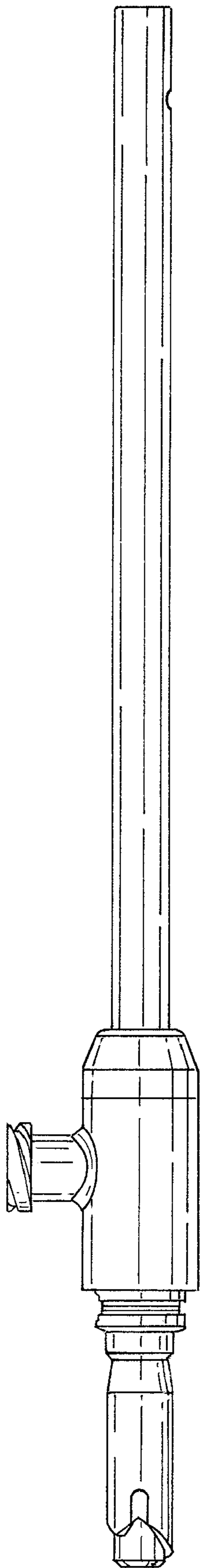


FIG. 5

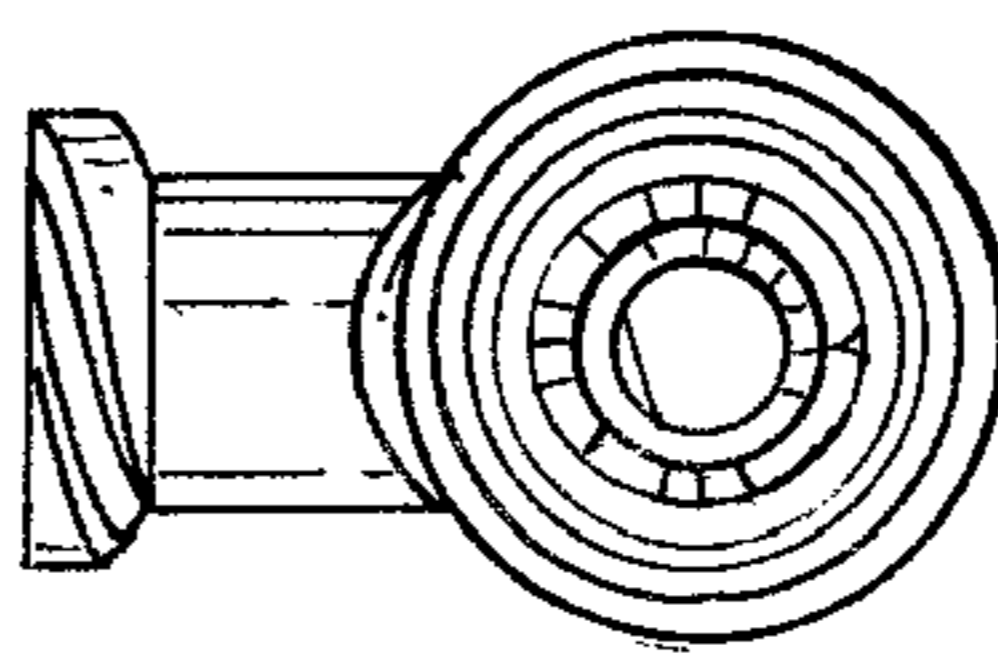


FIG. 6

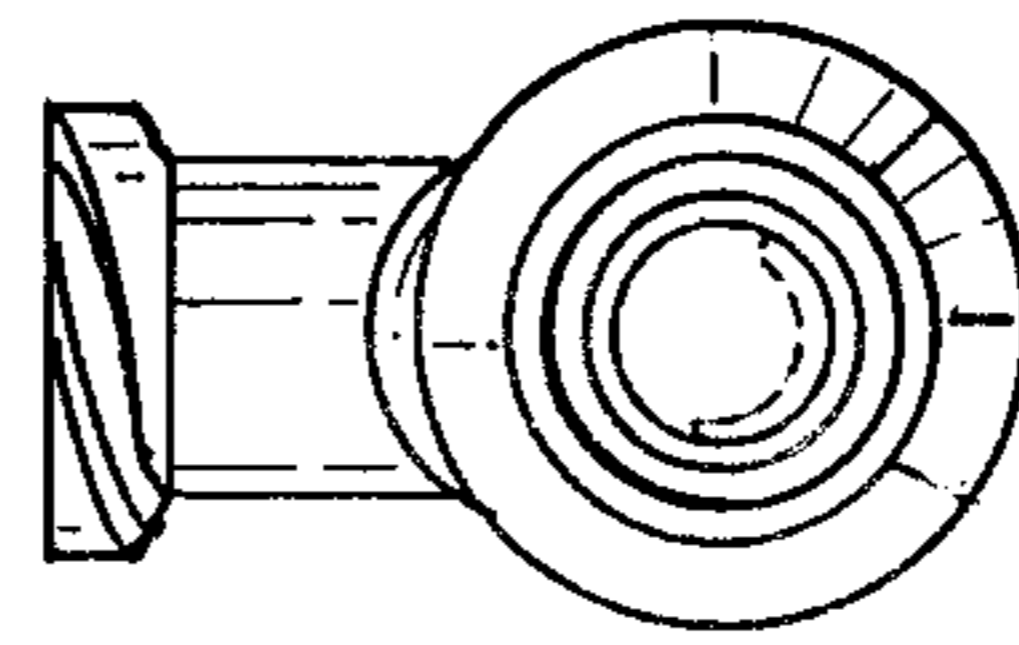


FIG. 7

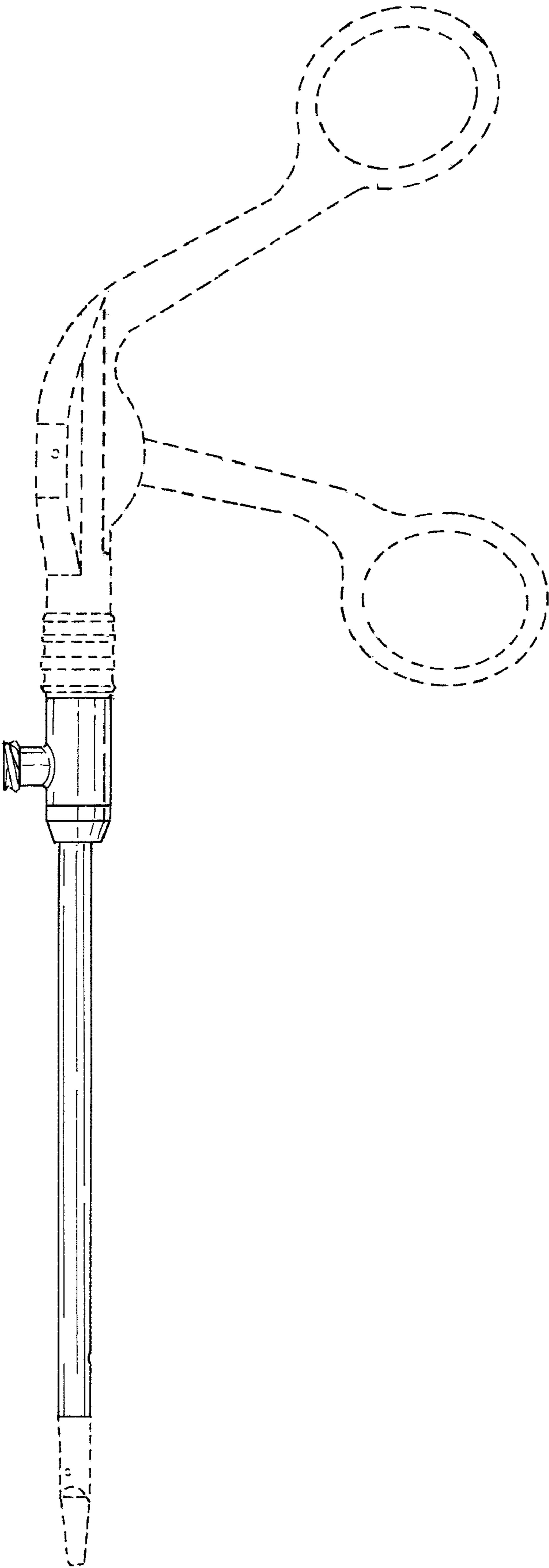


FIG. 8