



US00D610681S

(12) **United States Design Patent**  
**Frey et al.**

(10) **Patent No.:** **US D610,681 S**

(45) **Date of Patent:** **\*\* Feb. 23, 2010**

(54) **MEDICAL INSTRUMENT**

(75) Inventors: **Sebastian Frey**,  
Villingen-Schwenningen (DE); **Michael**  
**Sauer**, Tuttlingen (DE)

(73) Assignee: **Karl Storz GmbH & Co. KG** (DE)

(\*\*) Term: **14 Years**

(21) Appl. No.: **29/302,172**

(22) Filed: **Jan. 11, 2008**

(30) **Foreign Application Priority Data**

Jul. 11, 2007 (EM) ..... 000755640

(51) **LOC (9) Cl.** ..... **24-02**

(52) **U.S. Cl.** ..... **D24/140**

(58) **Field of Classification Search** ..... D24/140,  
D24/129, 107, 133, 137, 138, 108; D15/132,  
D15/138, 139; 606/96, 102, 97, 98, 87, 88,  
606/89; 600/101, 104, 112-114, 120, 122,  
600/123, 131, 132, 136, 138, 153, 154, 156,  
600/158, 162, 105, 128, 135; 604/523; 285/315  
See application file for complete search history.

(56) **References Cited**

**U.S. PATENT DOCUMENTS**

D264,824 S \* 6/1982 Sandel ..... D10/71

5,403,264 A \* 4/1995 Wohlers et al. .... 600/32  
5,843,031 A \* 12/1998 Hermann et al. .... 604/95.01  
D434,148 S \* 11/2000 Sauer et al. .... D24/146  
7,470,255 B2 \* 12/2008 Stearns et al. .... 604/167.06  
D597,204 S \* 7/2009 Oberlaender et al. .... D24/133  
2008/0122148 A1 \* 5/2008 Frey et al. .... 269/1  
2009/0076465 A1 \* 3/2009 Berry et al. .... 604/265

\* cited by examiner

*Primary Examiner*—Ian Simmons

*Assistant Examiner*—Charles D Hanson

(74) *Attorney, Agent, or Firm*—St. Onge Steward Johnston &  
Reens LLC

(57) **CLAIM**

The ornamental design for medical instrument, as shown and  
described.

**DESCRIPTION**

FIG. 1 is a front perspective view of a medical instrument in  
accordance with the new design;

FIG. 2 is a left side view thereof;

FIG. 3 is a right side view thereof;

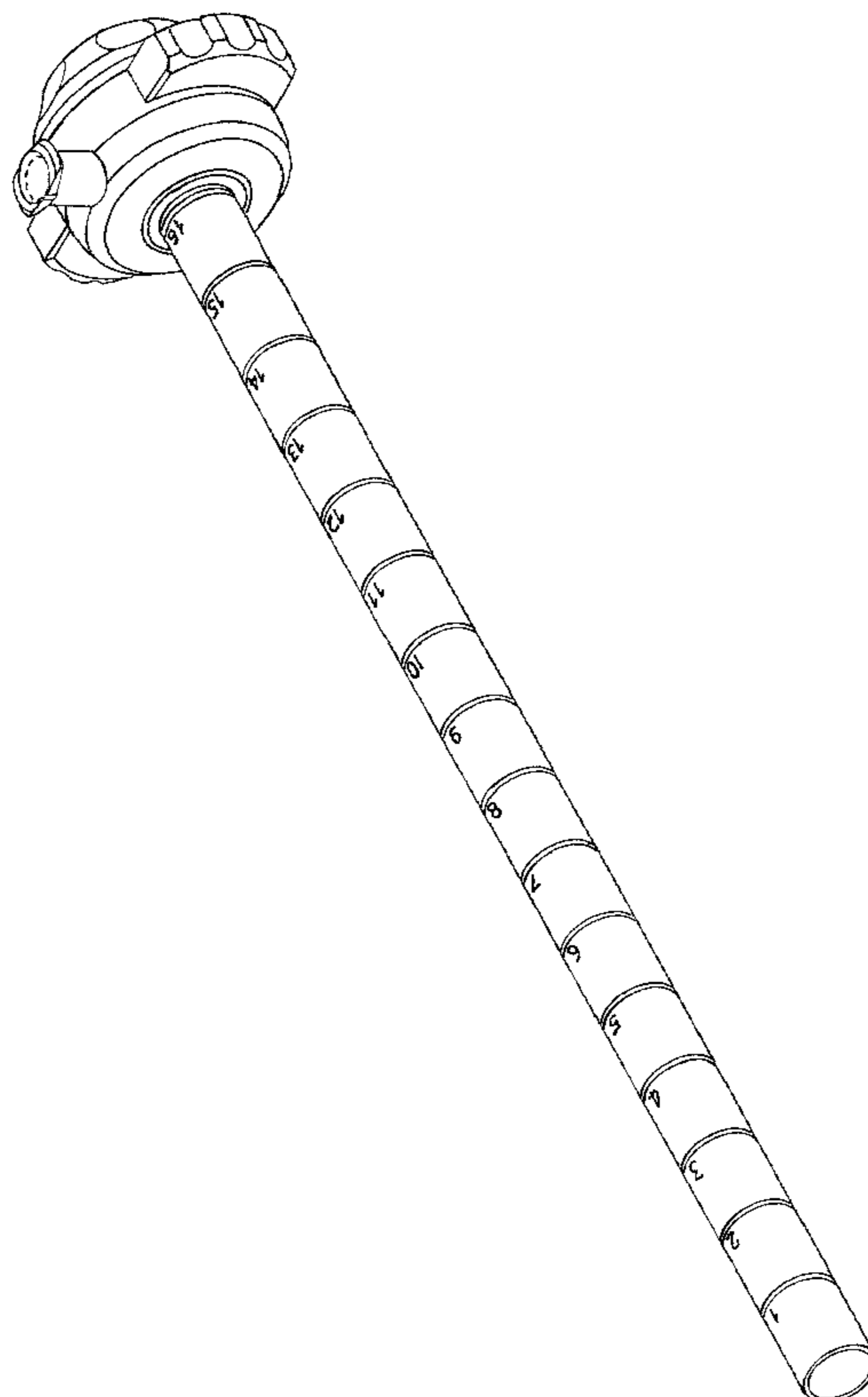
FIG. 4 is a front view thereof;

FIG. 5 is a rear view thereof;

FIG. 6 is a top view thereof; and,

FIG. 7 is a bottom view thereof.

**1 Claim, 7 Drawing Sheets**



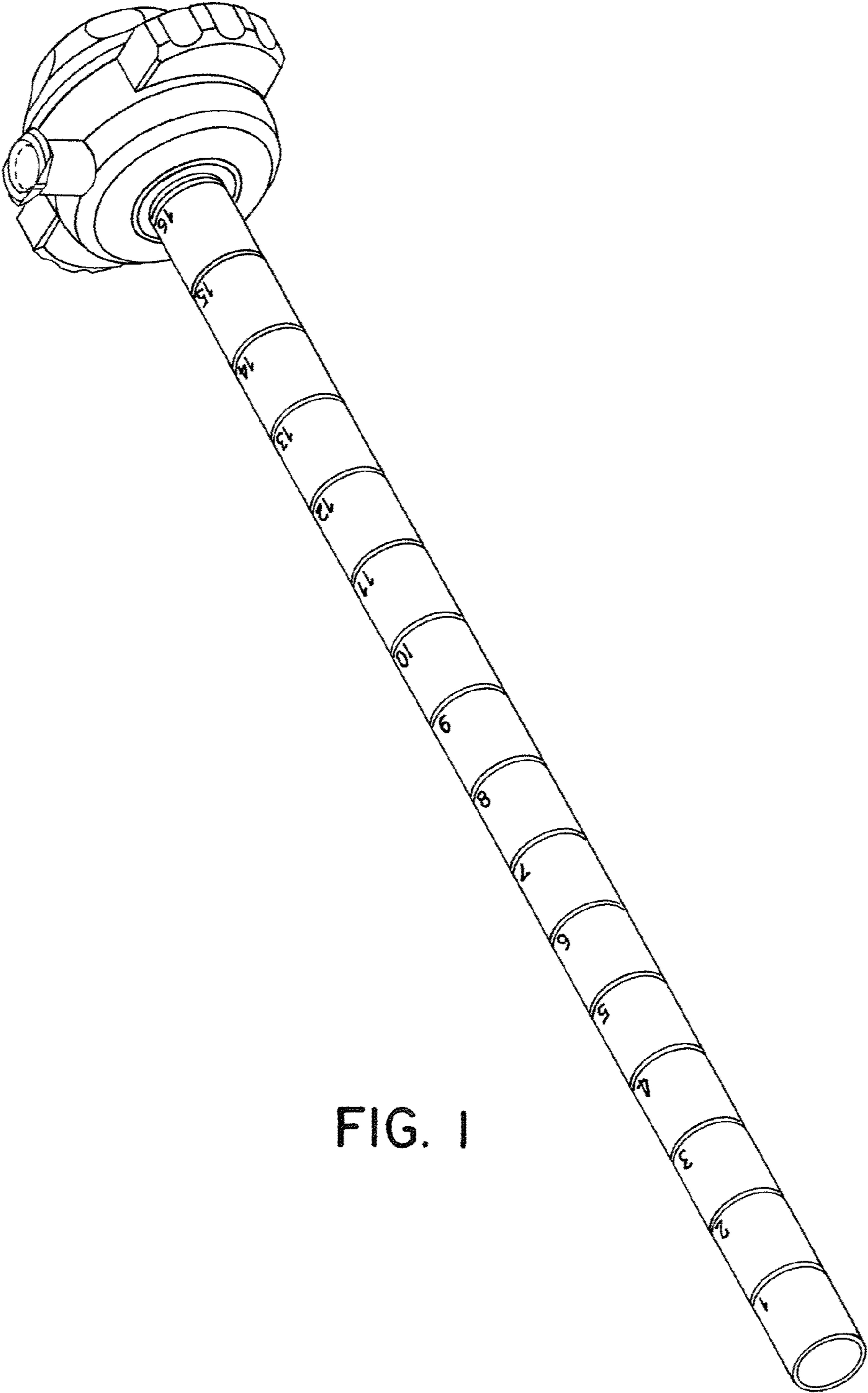


FIG. 1

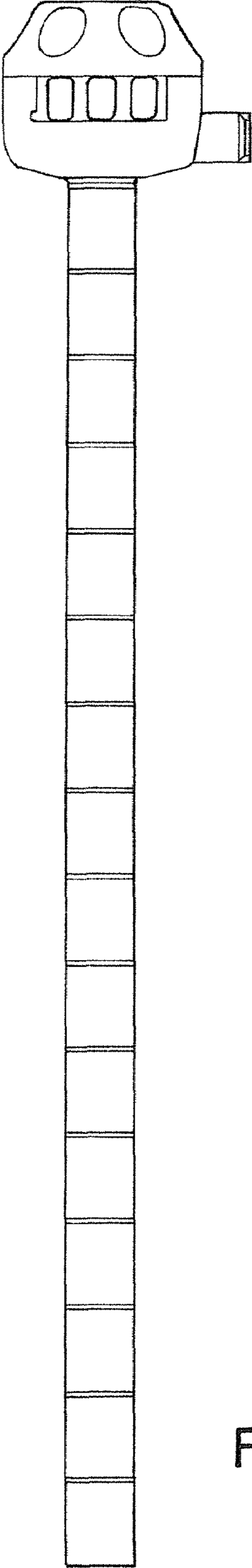


FIG. 2

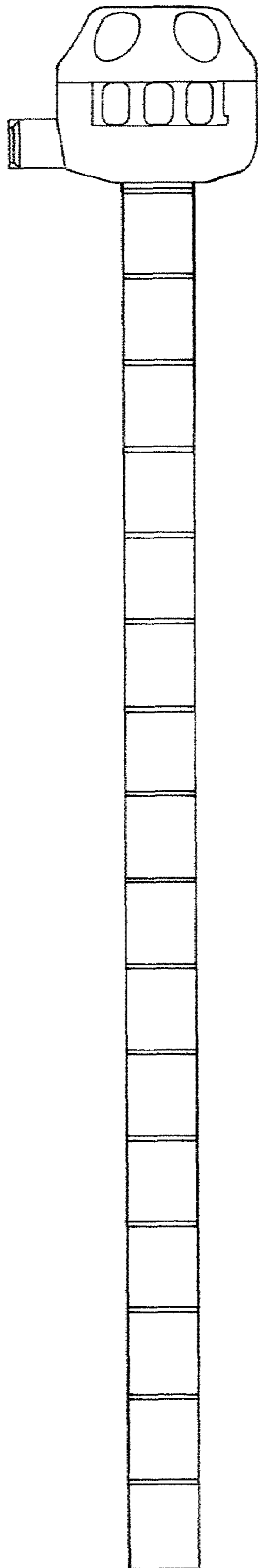


FIG. 3

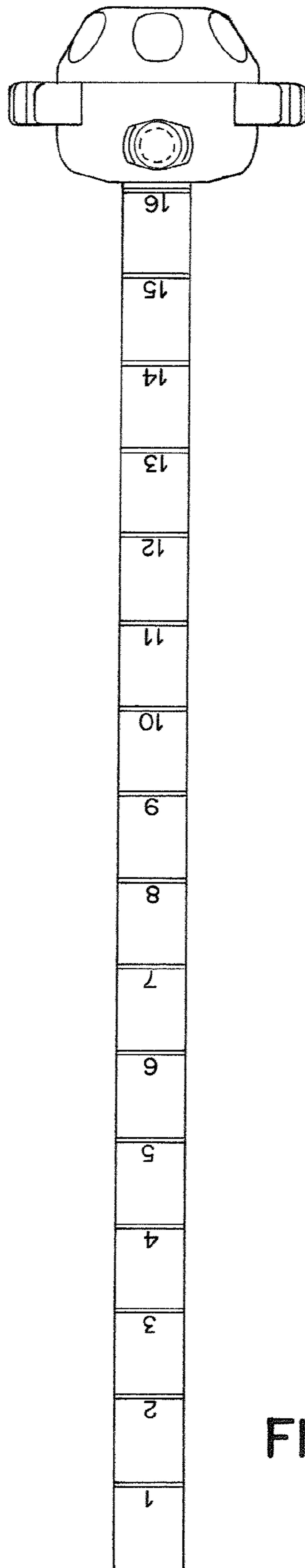


FIG. 4

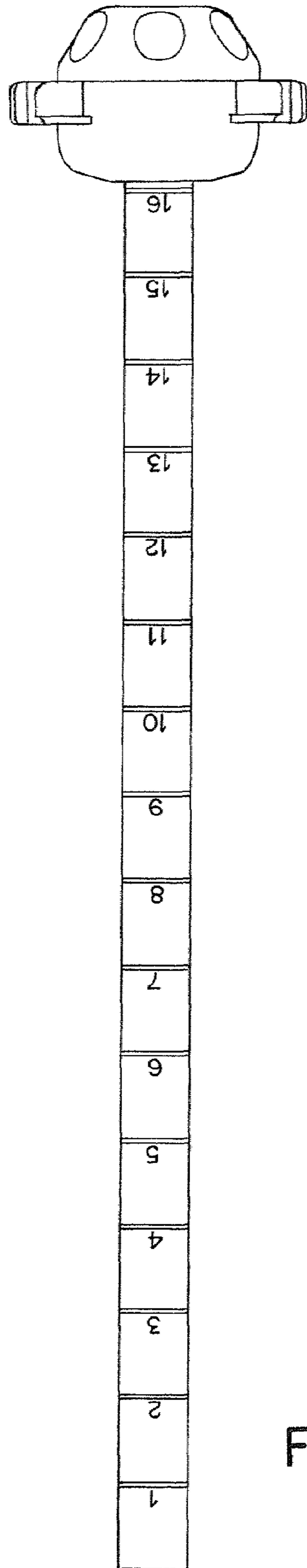


FIG. 5

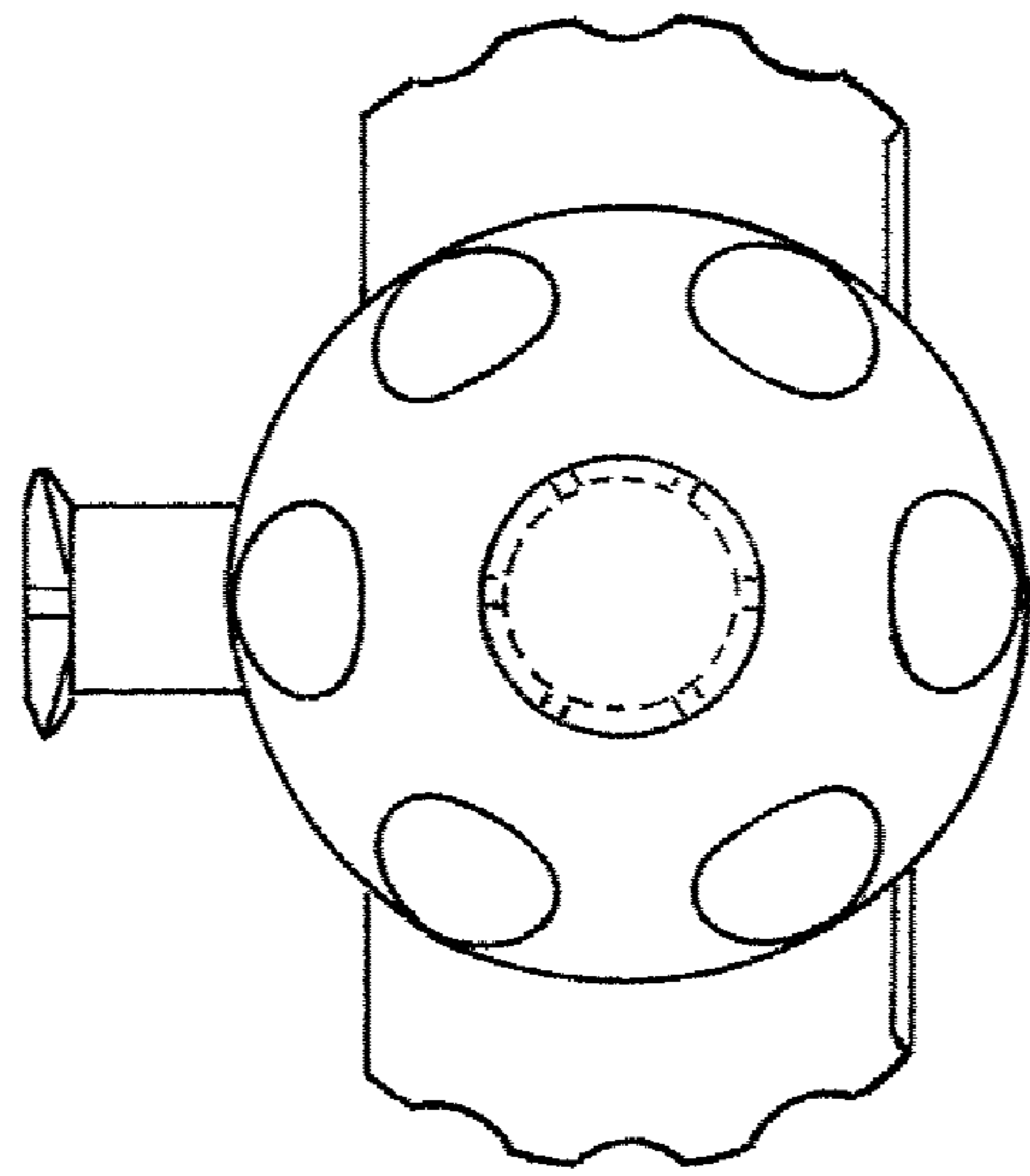


FIG. 6

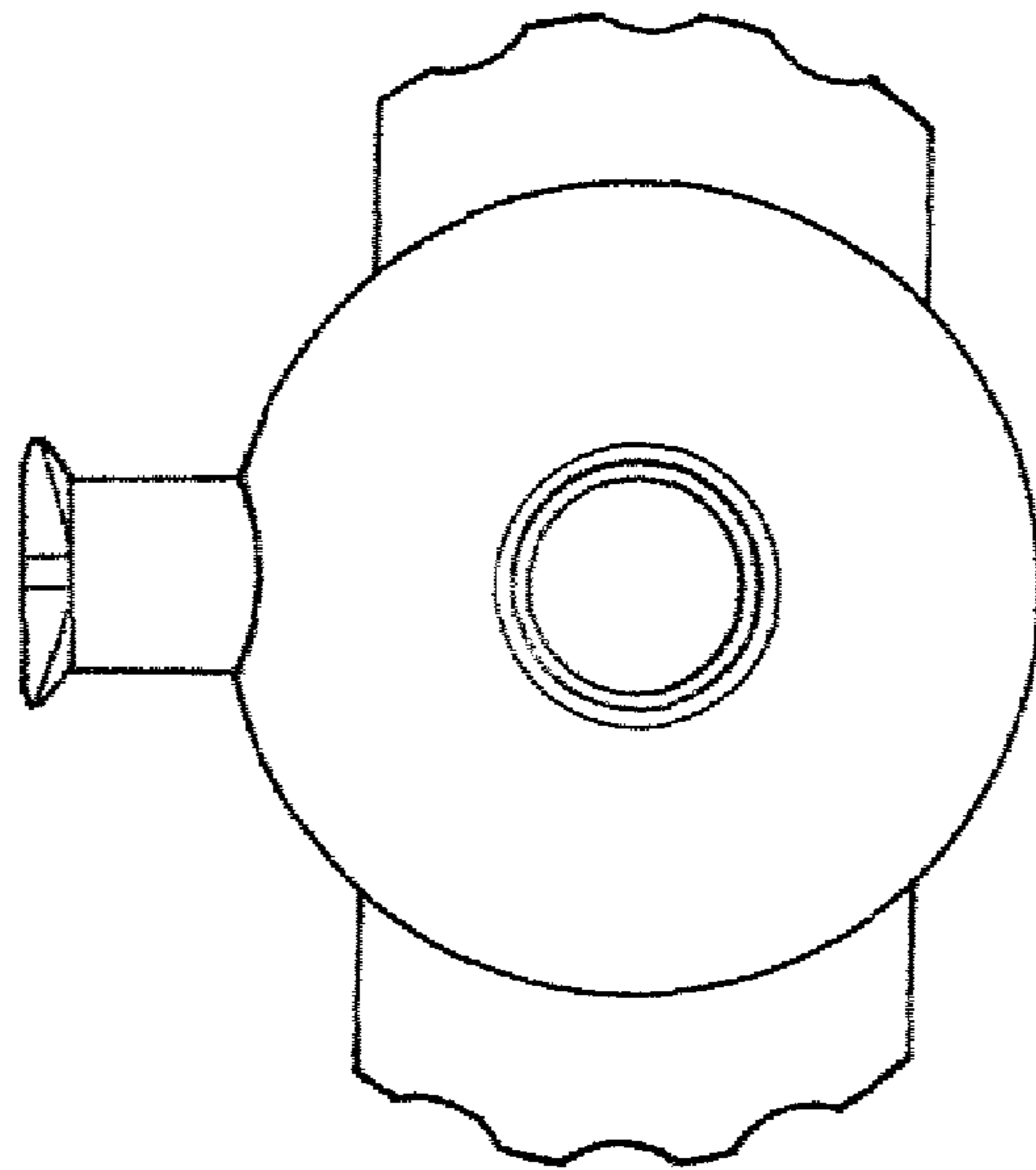


FIG. 7