



US00D610674S

(12) **United States Design Patent**
Karolak et al.

(10) **Patent No.:** **US D610,674 S**

(45) **Date of Patent:** **** Feb. 23, 2010**

(54) **PHARMACEUTICAL TABLET**

(75) Inventors: **Wlodek Karolak**, Mississauga (CA);
Helen Anne Willy, Harlow (GB)

(73) Assignee: **Glaxo Group Limited**, Middlesex (GB)

(**) Term: **14 Years**

(21) Appl. No.: **29/309,538**

(22) Filed: **Aug. 28, 2008**

Related U.S. Application Data

(62) Division of application No. 29/268,559, filed on Nov. 9, 2006.

Foreign Application Priority Data

May 12, 2006 (GB) 3024830

(51) **LOC (9) Cl.** **28-01**

(52) **U.S. Cl.** **D24/101**

(58) **Field of Classification Search** D24/100-104;
D28/4, 8.1, 8.2; 424/464-482, 453, 438,
424/732, 451; D1/100, 121, 125-128, 112,
D1/108; D21/440; 426/78

See application file for complete search history.

(56) **References Cited**

U.S. PATENT DOCUMENTS

- 1,419,618 A 6/1922 Deming
- 1,580,576 A 4/1926 Edmund
- 2,102,885 A 12/1937 Carroll
- 2,340,037 A 1/1944 Irving
- 3,048,526 A 8/1962 Boswell
- 3,620,759 A 11/1971 Maddox
- 3,702,653 A 11/1972 Motten
- D235,215 S 5/1975 Larson
- D258,091 S 1/1981 Reed et al.
- 4,376,111 A 3/1983 Tovey
- D269,718 S 7/1983 Tovey
- D269,721 S 7/1983 Tovey
- D269,722 S 7/1983 Tovey
- D274,846 S 7/1984 Eoga

- D283,649 S 4/1986 Casberg
- 4,601,896 A 7/1986 Nugent
- D285,363 S 8/1986 Tovey
- D286,085 S 10/1986 Tovey
- 4,643,731 A 2/1987 Eckenhoff
- 4,735,805 A 4/1988 Ni et al.
- 4,883,182 A 11/1989 Hughes
- D376,643 S 12/1996 Hatton et al.
- D420,464 S 2/2000 Binstock et al.
- D506,545 S * 6/2005 McAllister et al. D24/104
- D520,635 S 5/2006 Bonny et al.
- D530,814 S 10/2006 Bonny et al.
- D535,741 S 1/2007 Stawski et al.
- 7,214,396 B2 * 5/2007 Rivier 426/72
- D556,946 S 12/2007 Seum et al.
- D561,992 S * 2/2008 Linsley D3/271.1
- D564,086 S 3/2008 Nielsen et al.
- D576,776 S * 9/2008 Klacik et al. D1/127

OTHER PUBLICATIONS

Karolak et al., U.S. Appl. No. 29/268,559, filed Nov. 9, 2006.

* cited by examiner

Primary Examiner—Charles A Rademaker

Assistant Examiner—Charles D Hanson

(74) *Attorney, Agent, or Firm*—Nixon & Vanderhye P.C.

(57) **CLAIM**

The ornamental design for a pharmaceutical tablet, as shown and described.

DESCRIPTION

The file of this patent contains at least one drawing executed in color. Copies of this patent with color drawings will be provided by the Office upon request and payment of the necessary fee.

FIG. 1 is a front perspective view of a pharmaceutical tablet showing our new design;

FIG. 2 is a top view thereof;

FIG. 3 is a right side view thereof, with the left side view thereof being identical thereto;

FIG. 4 is a bottom view thereof;

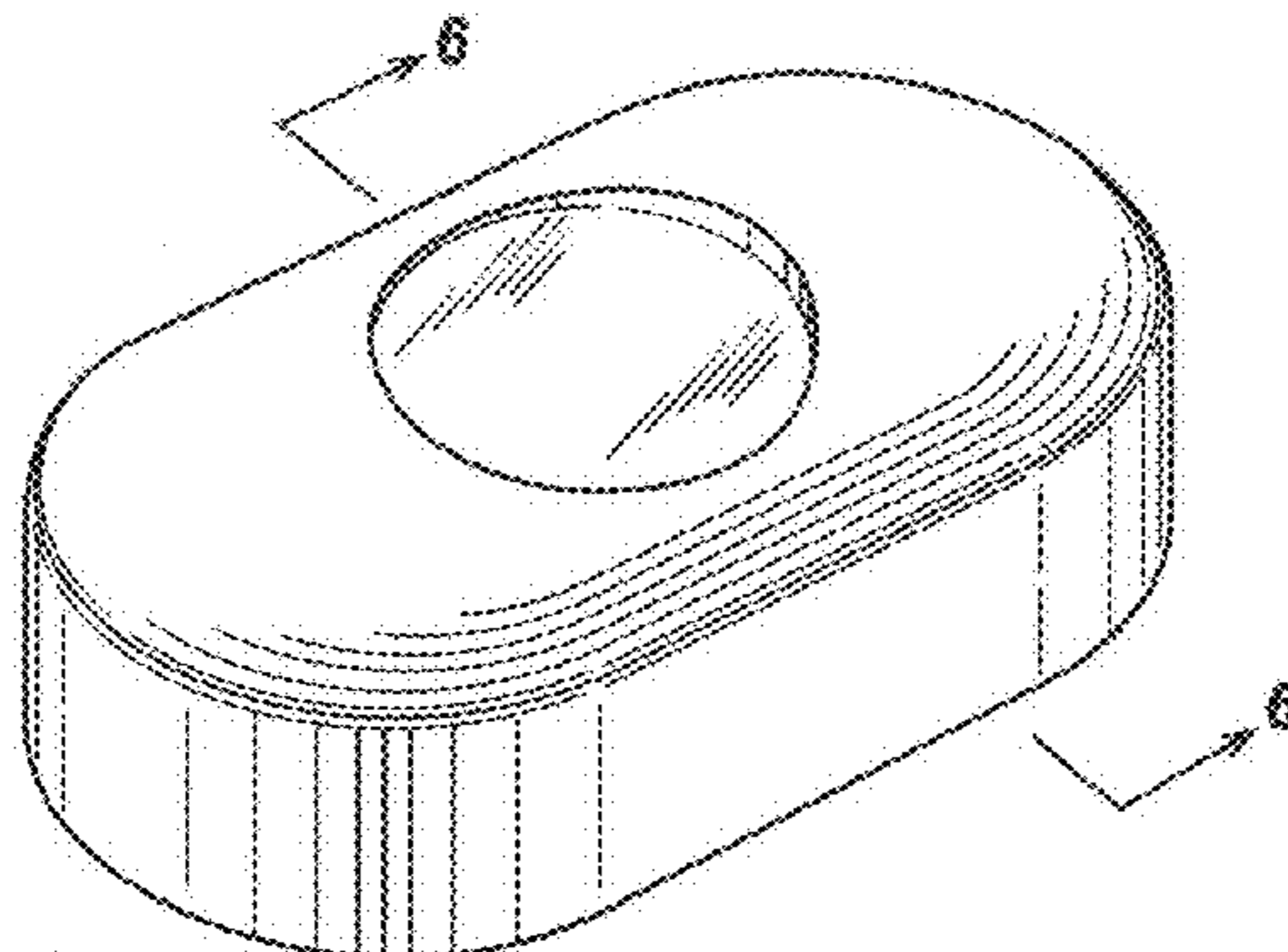


FIG. 5 is a front view thereof, with the rear view thereof being identical thereto;

FIG. 6 is a cross-sectional view through section 6—6 of FIG. 1;

FIG. 7 is a front perspective view of an alternate embodiment of the design of FIG. 1;

FIG. 8 is a top view thereof;

FIG. 9 is a right side view thereof, with the left side view thereof being identical thereto;

FIG. 10 is a bottom view thereof;

FIG. 11 is a front view thereof, with the rear view thereof being identical thereto;

FIG. 12 is a cross-sectional view through section 12—12 of FIG. 7;

FIG. 13 is a front perspective view of an alternate embodiment of the design of FIG. 1;

FIG. 14 is a top view thereof;

FIG. 15 is a right side view thereof, with the left side view thereof being identical thereto;

FIG. 16 is a bottom view thereof;

FIG. 17 is a front view thereof, with the rear view thereof being identical thereto;

FIG. 18 is a cross-sectional view through section 18—18 of FIG. 13;

FIG. 19 is a front perspective view of an alternate embodiment of the design of FIG. 1;

FIG. 20 is a top view thereof;

FIG. 21 is a right side view thereof, with the left side view thereof being identical thereto;

FIG. 22 is a bottom view thereof;

FIG. 23 is a front view thereof, with the rear view thereof being identical thereto; and,

FIG. 24 is a cross-sectional view through section 24—24 of FIG. 19.

The grayscale shading in FIGS. 19–24 depict a color contrast, and is not indicative of any specific color.

**1 Claim, 8 Drawing Sheets
(2 of 8 Drawing Sheet(s) Filed in Color)**

FIG. 1

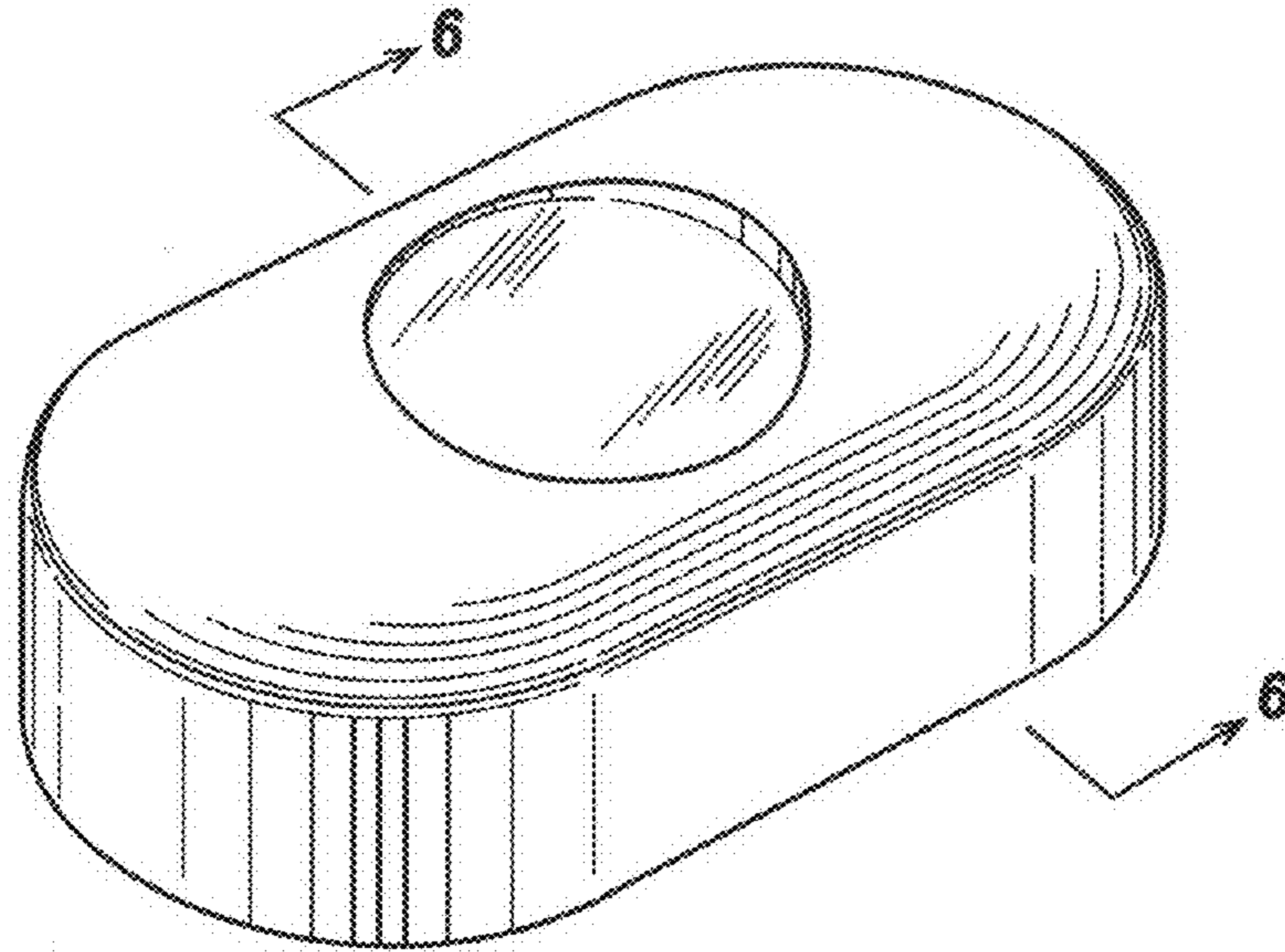


FIG. 2

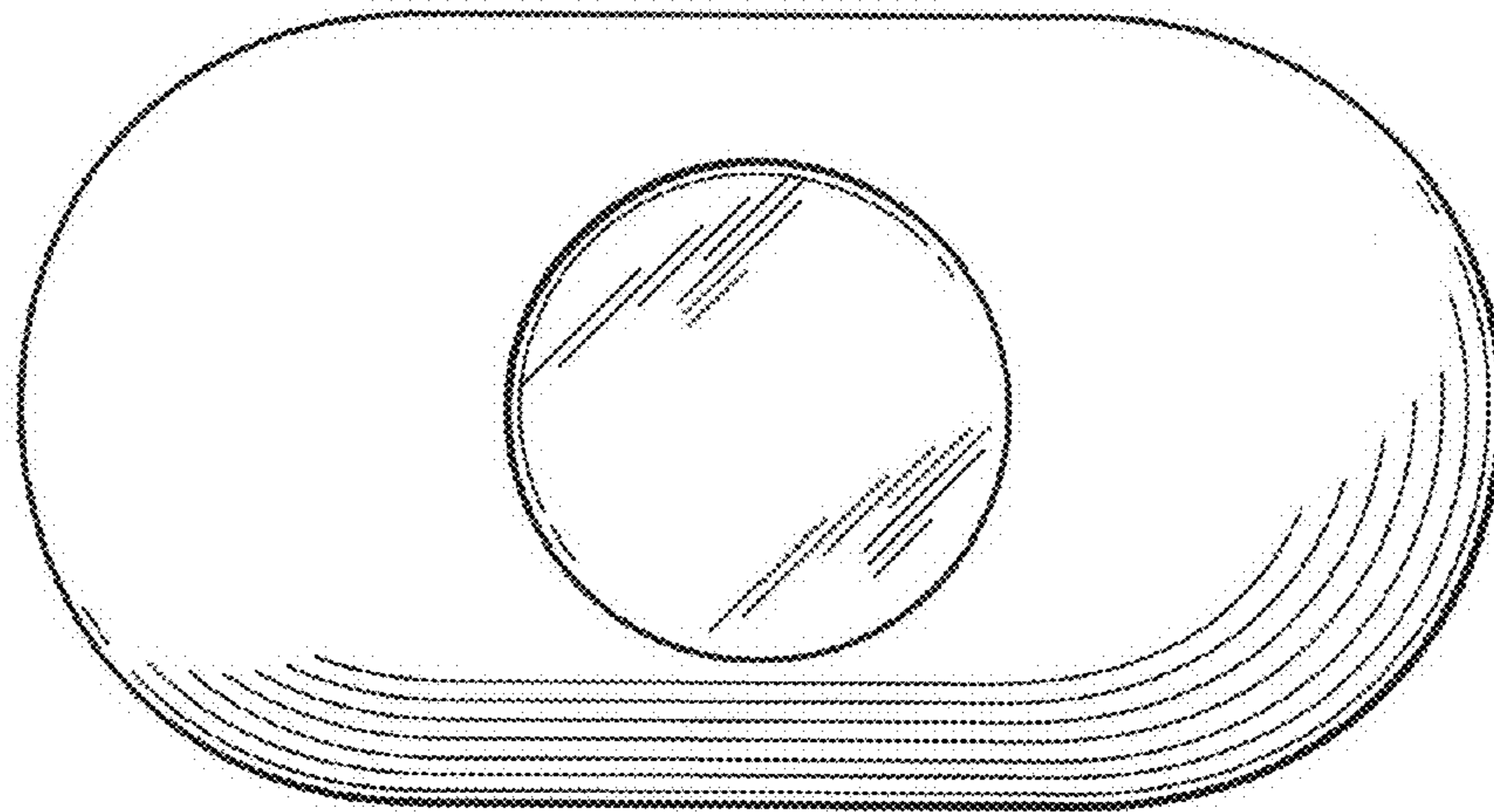


FIG. 3

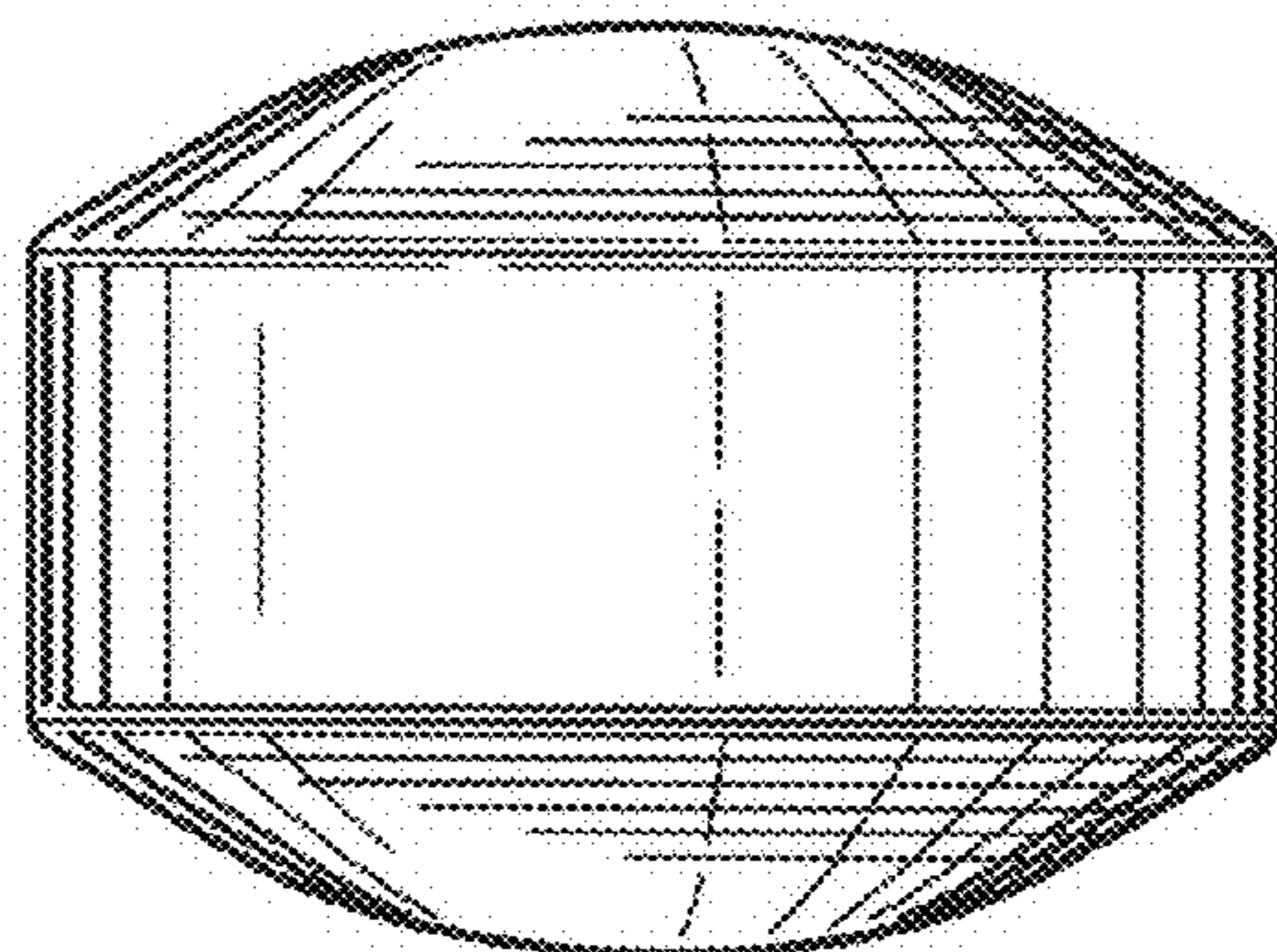


FIG. 4

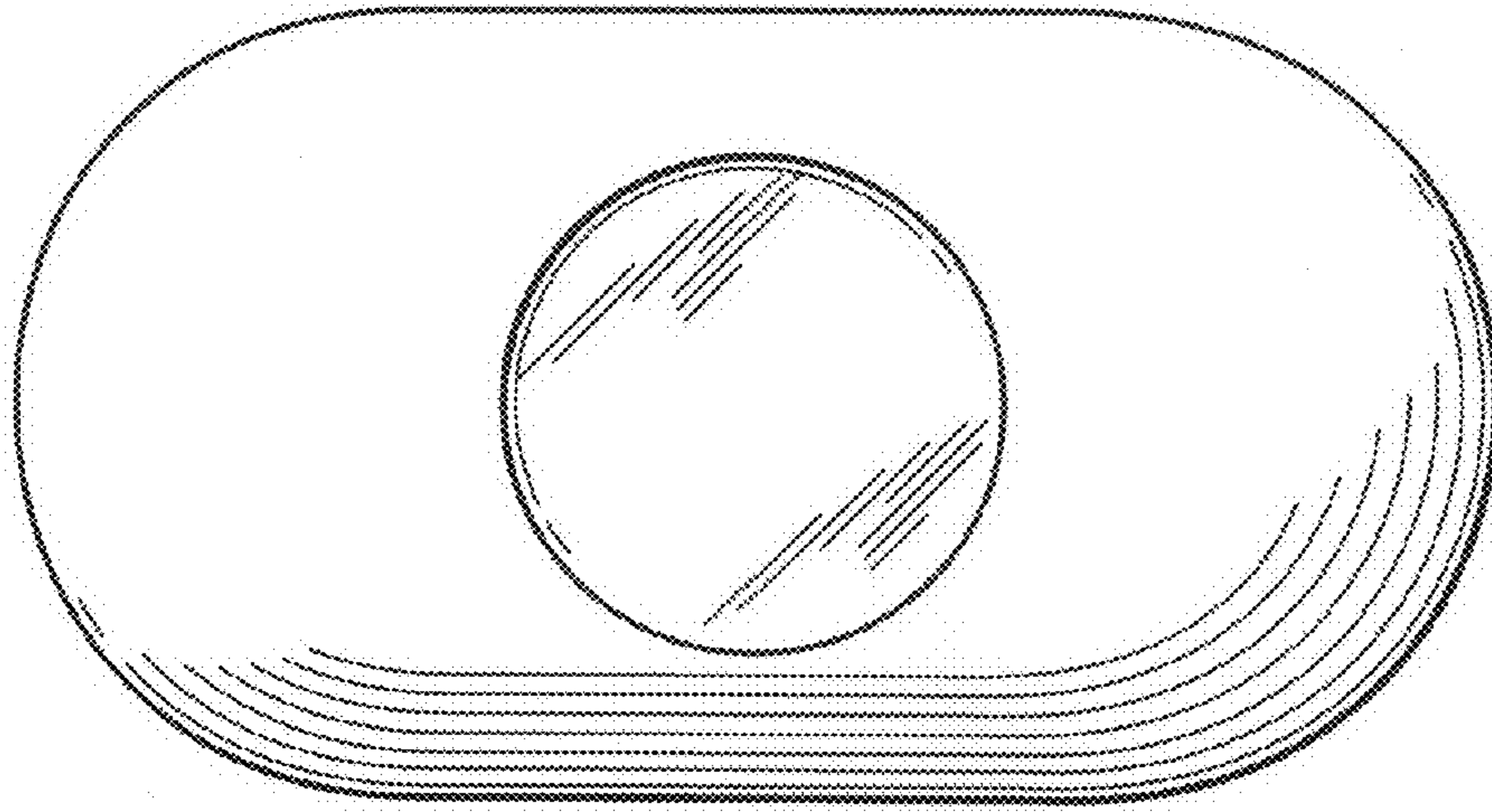


FIG. 5

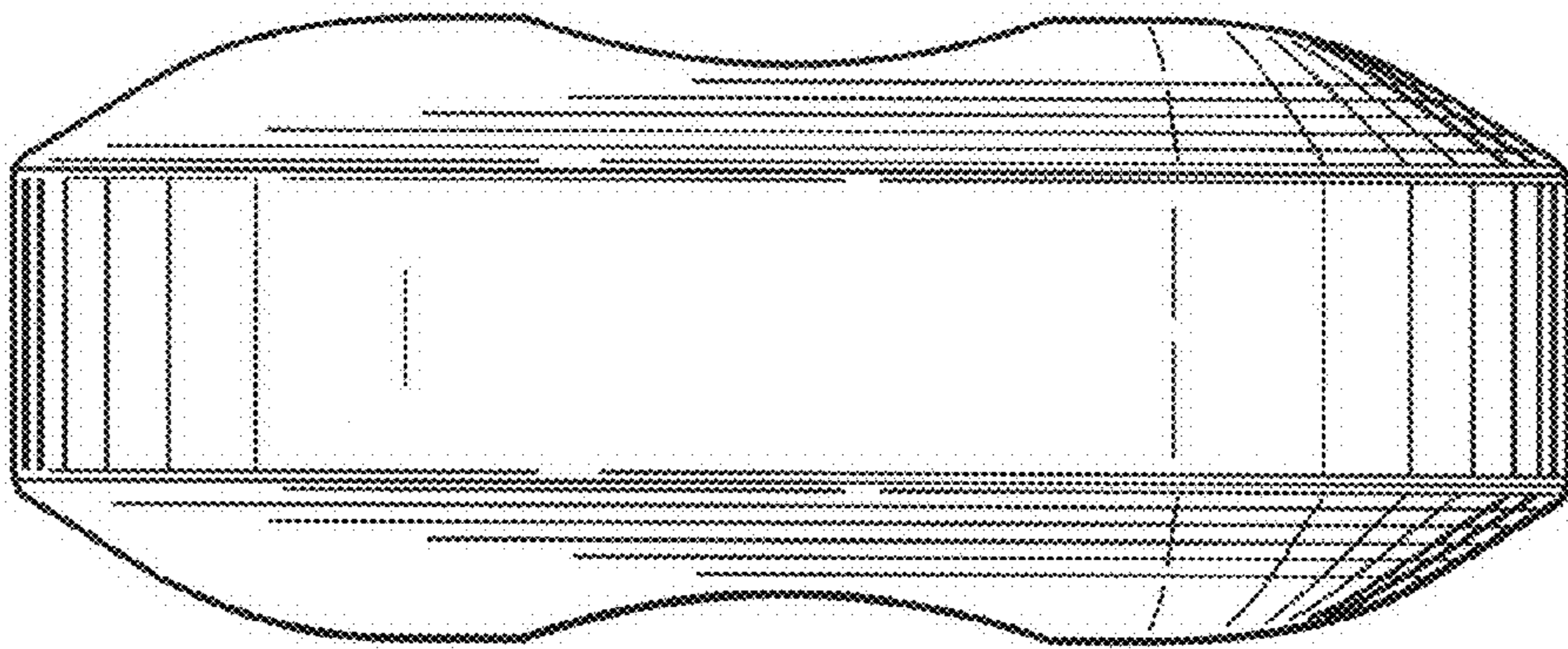


FIG. 6

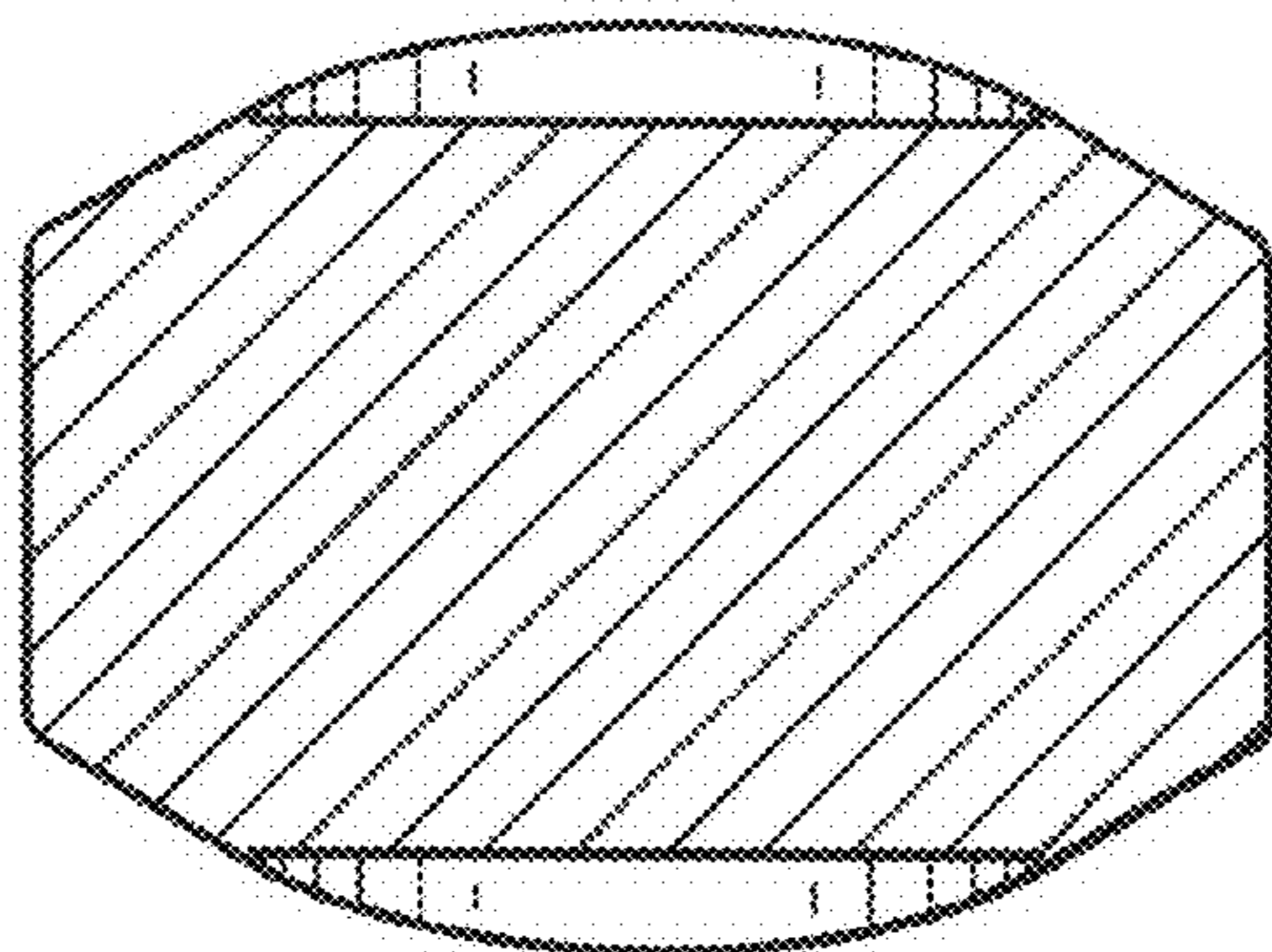


FIG. 7

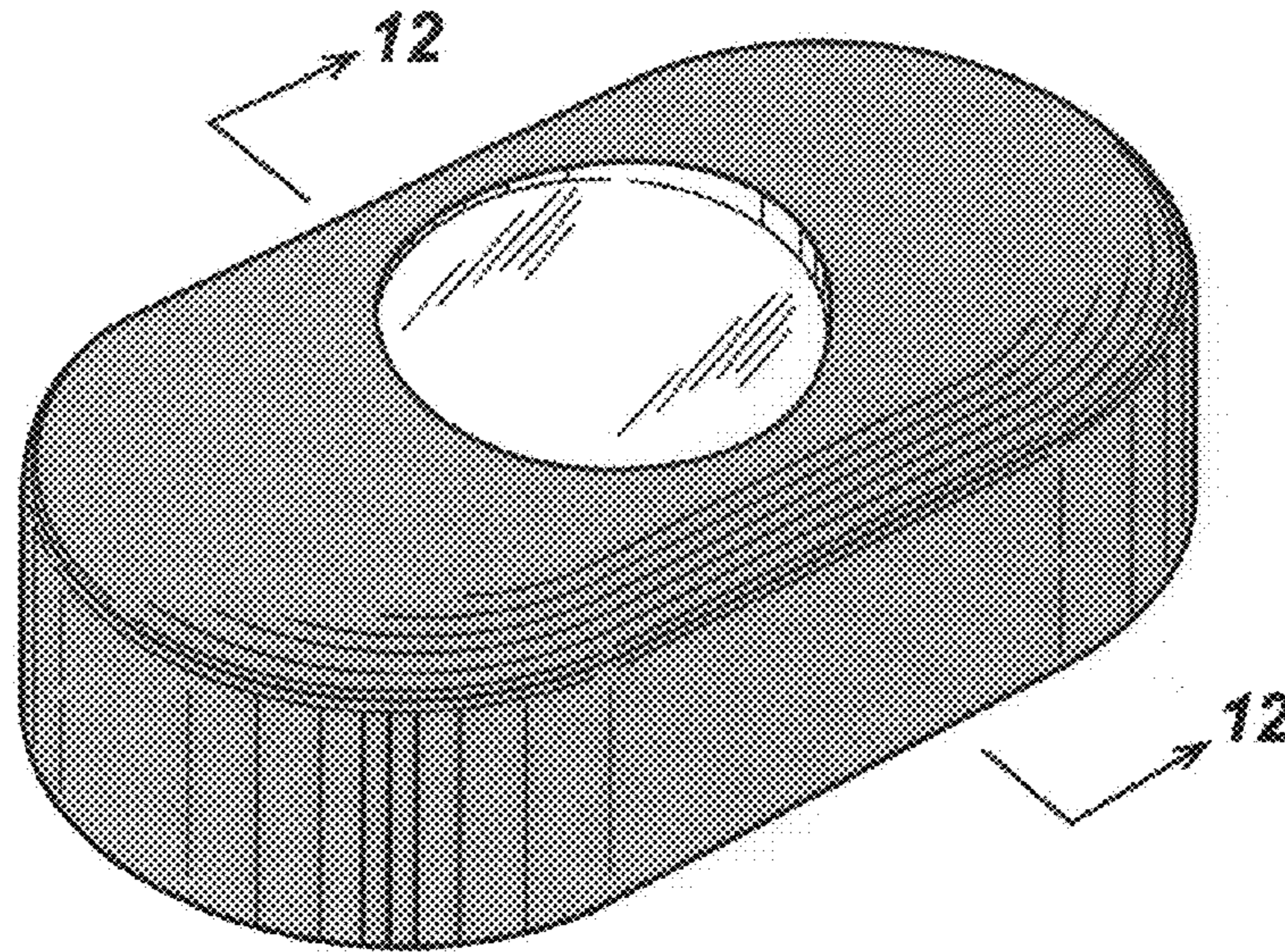


FIG. 8

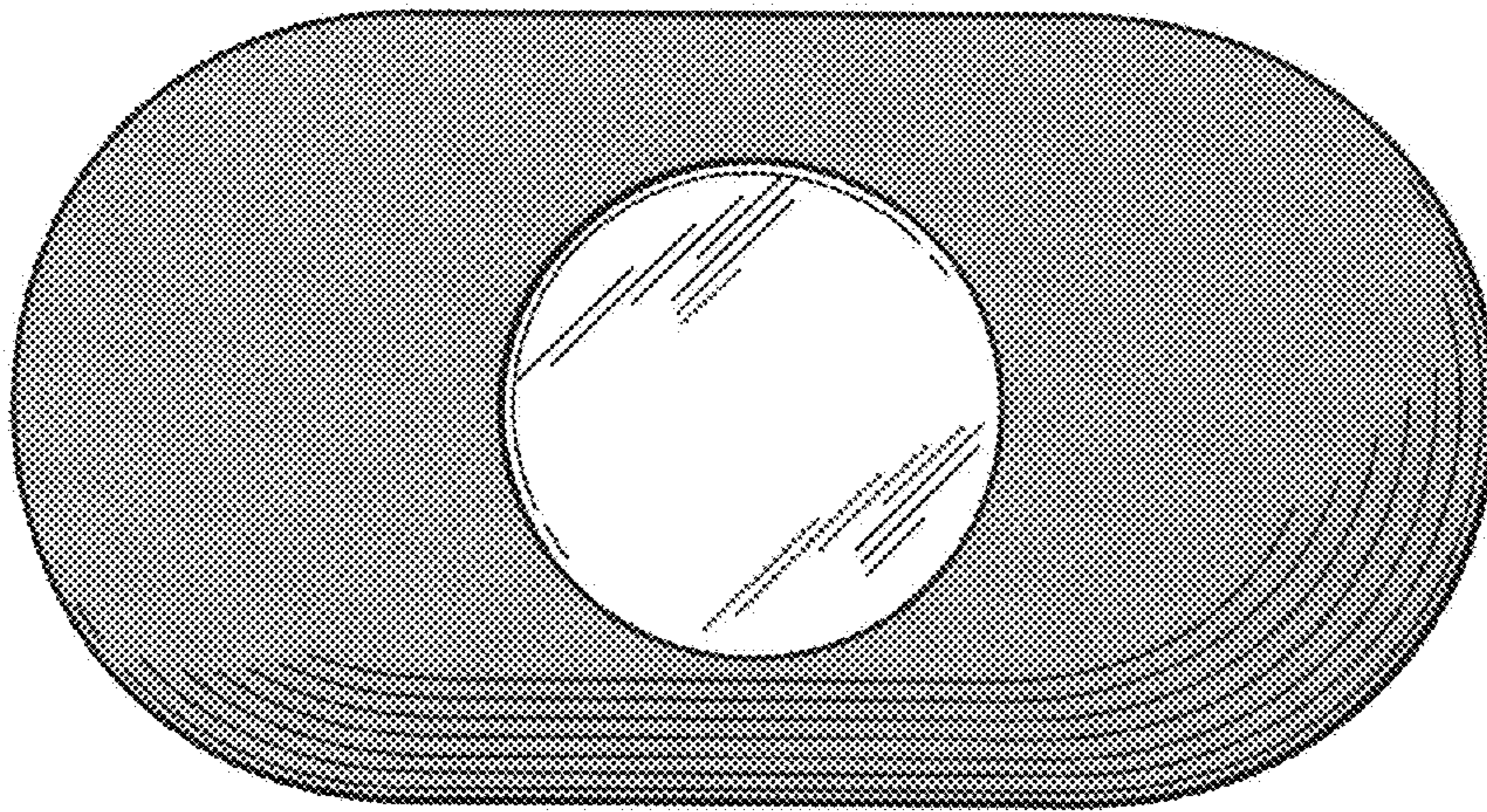


FIG. 9

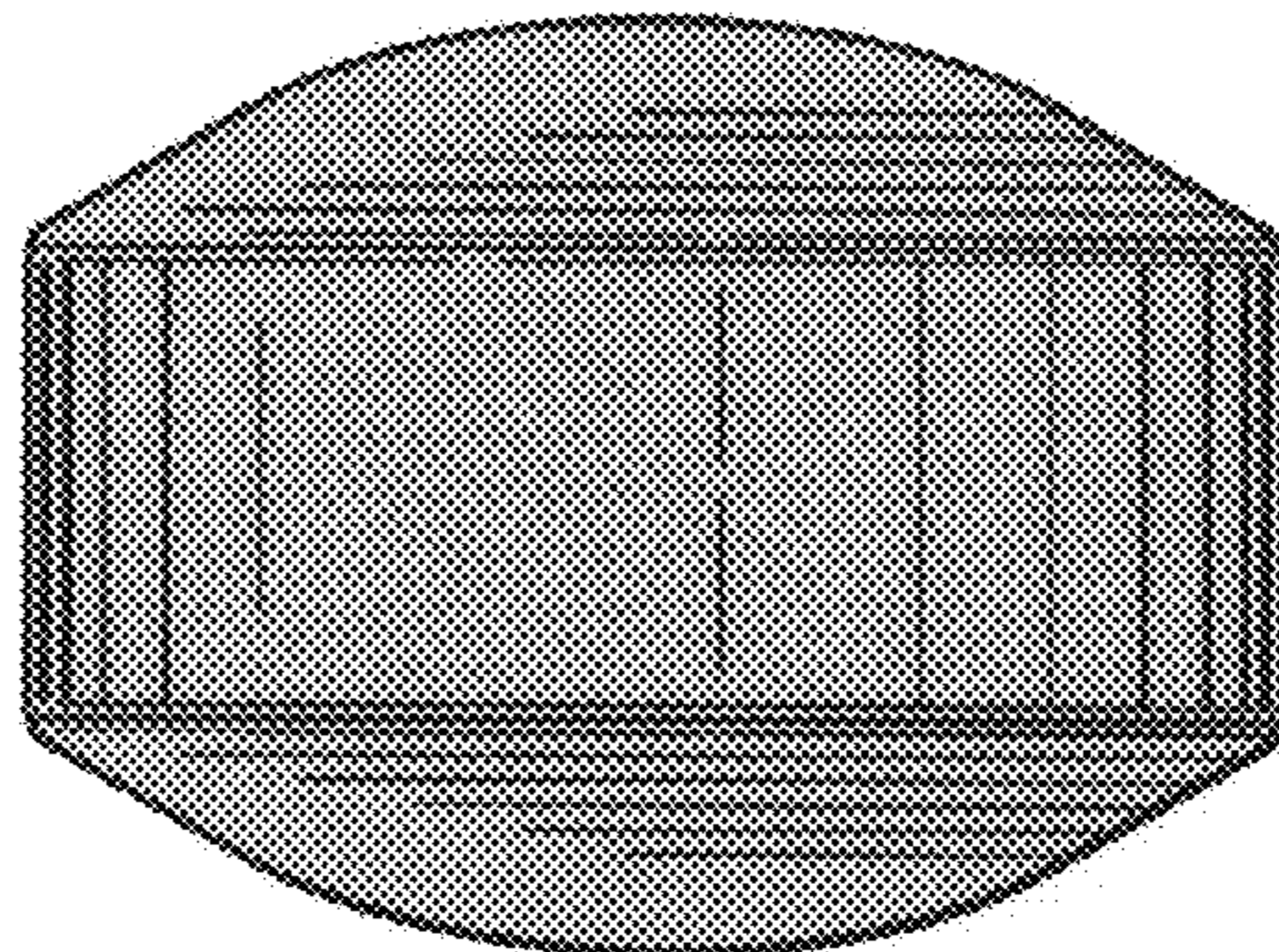


FIG. 10

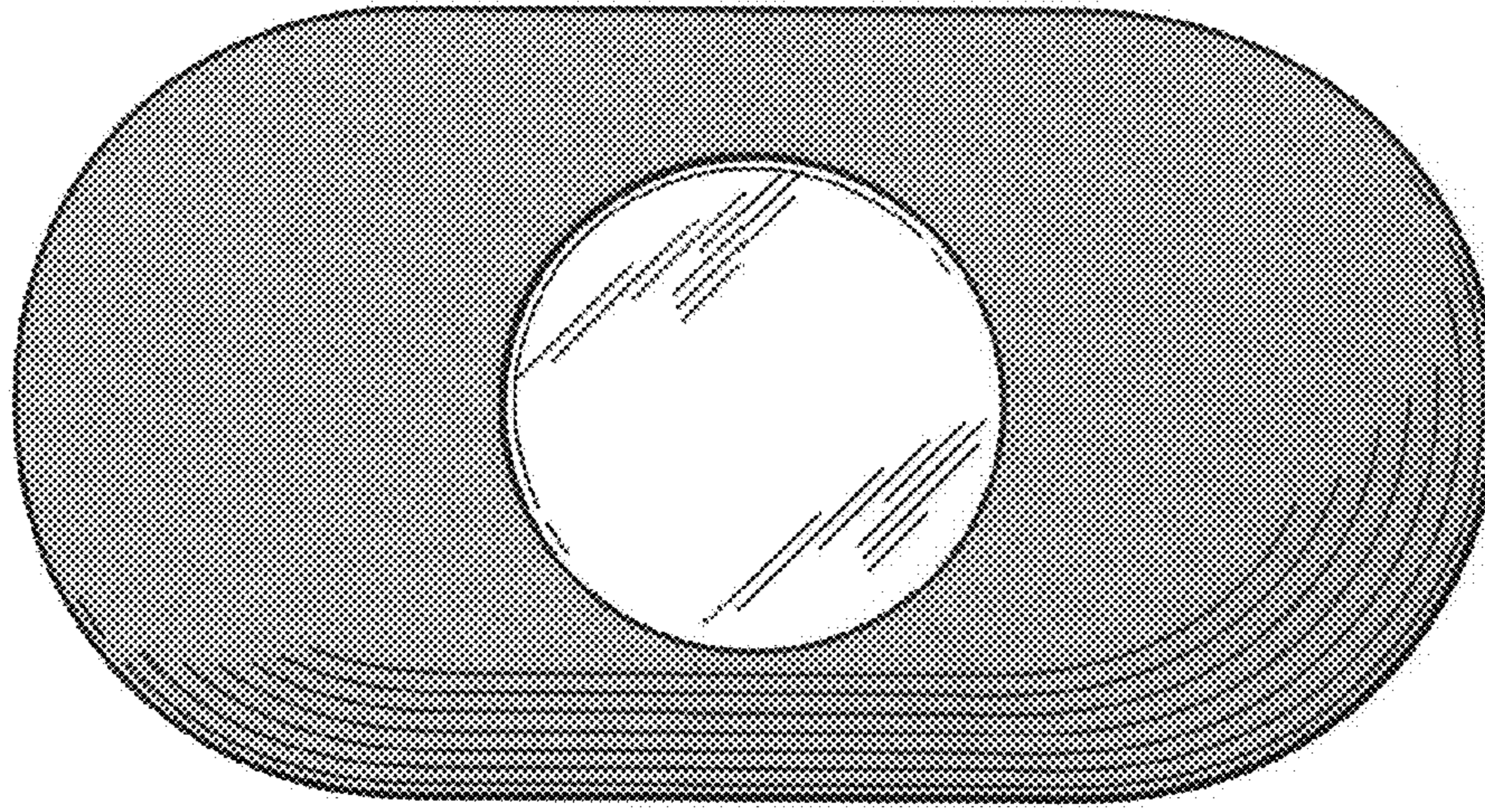


FIG. 11

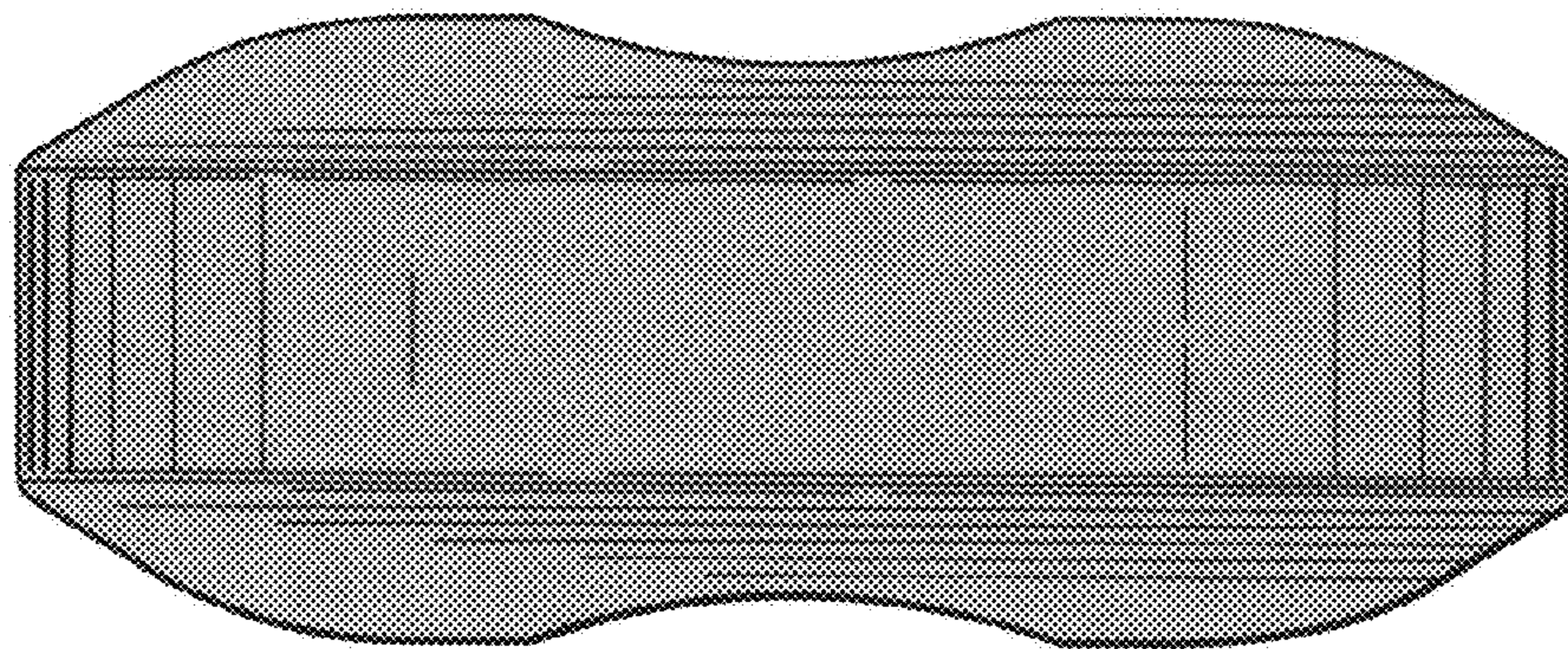


FIG. 12

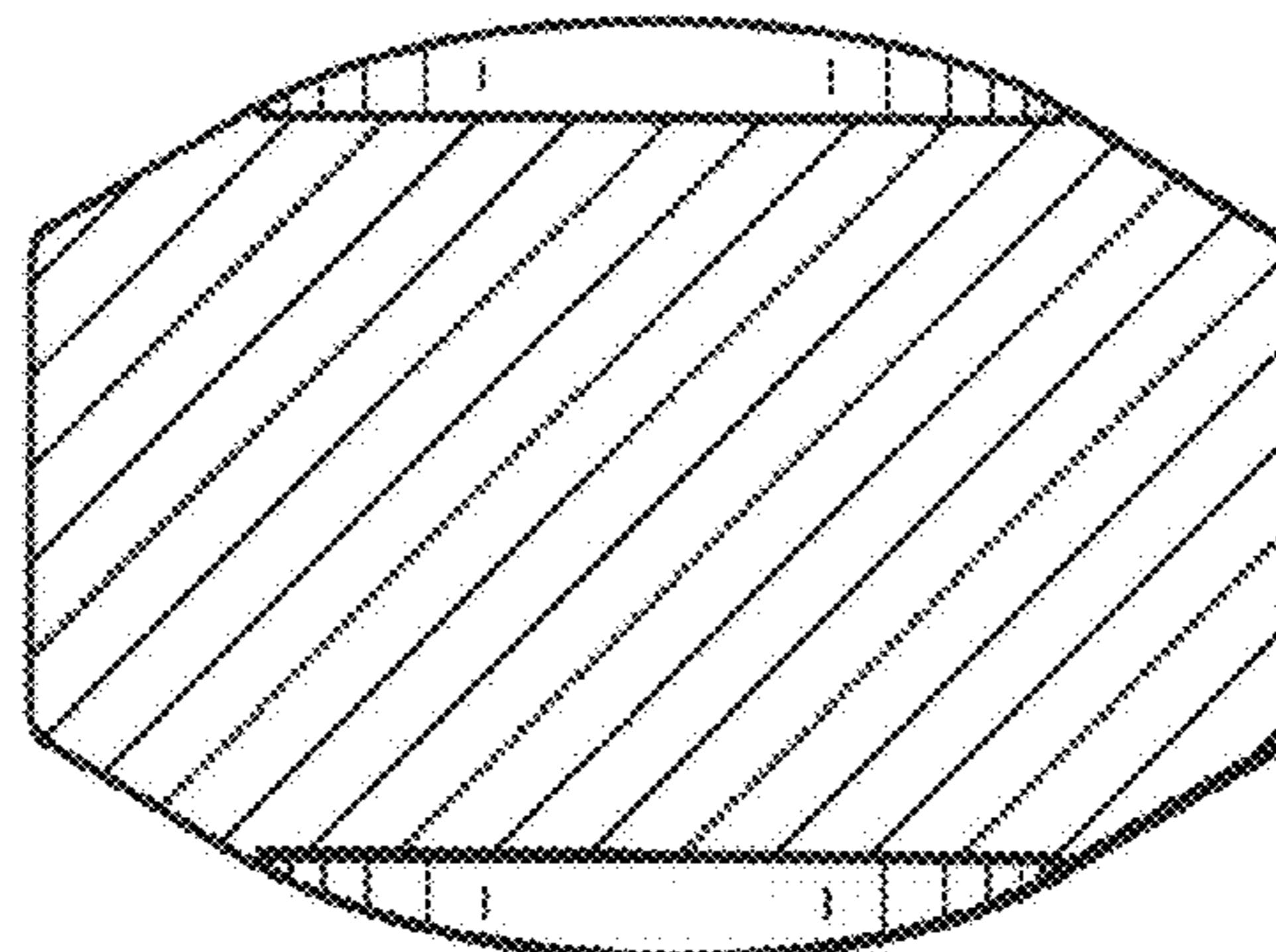


FIG. 13

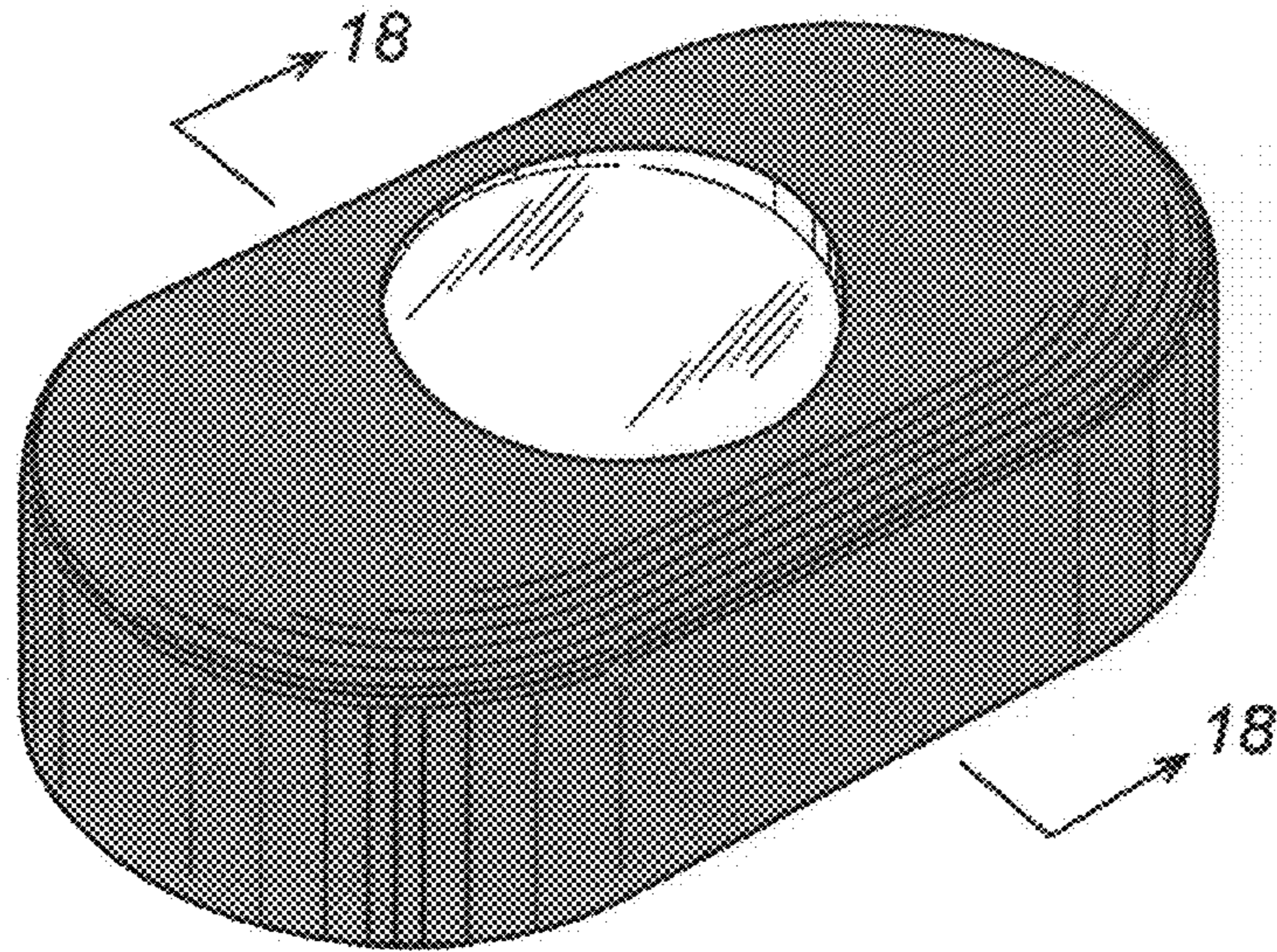


FIG. 14

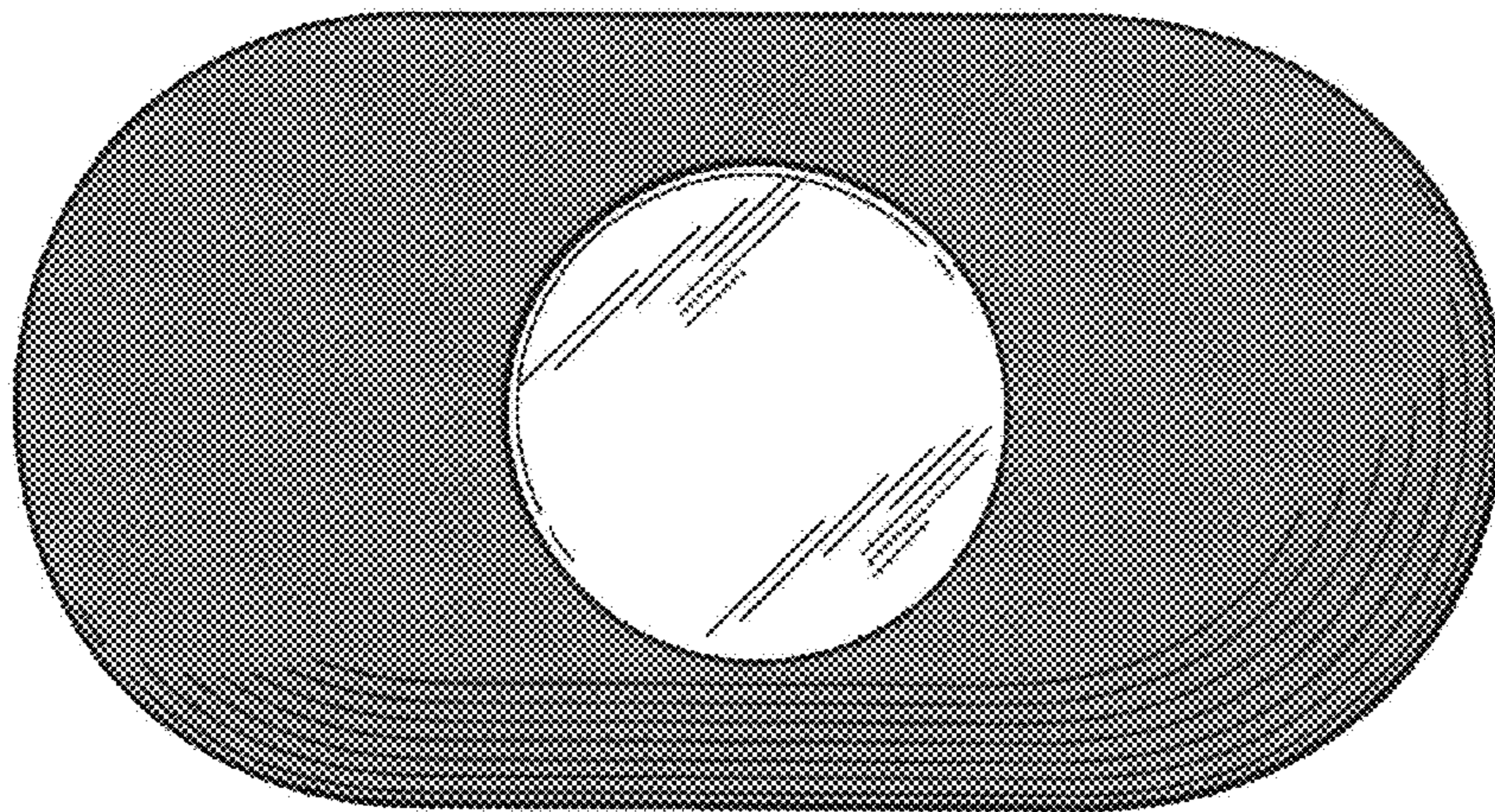


FIG. 15

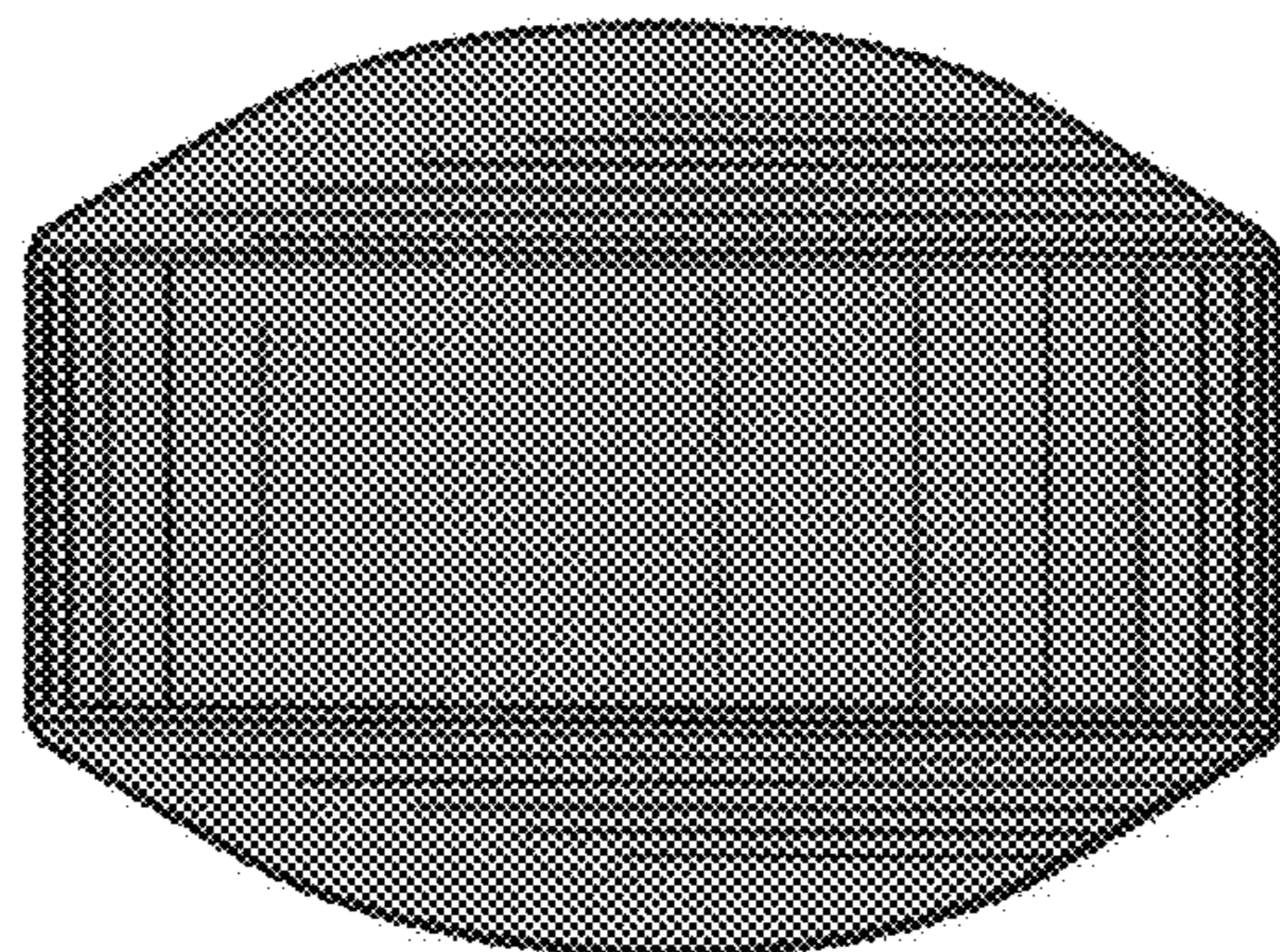


FIG. 16

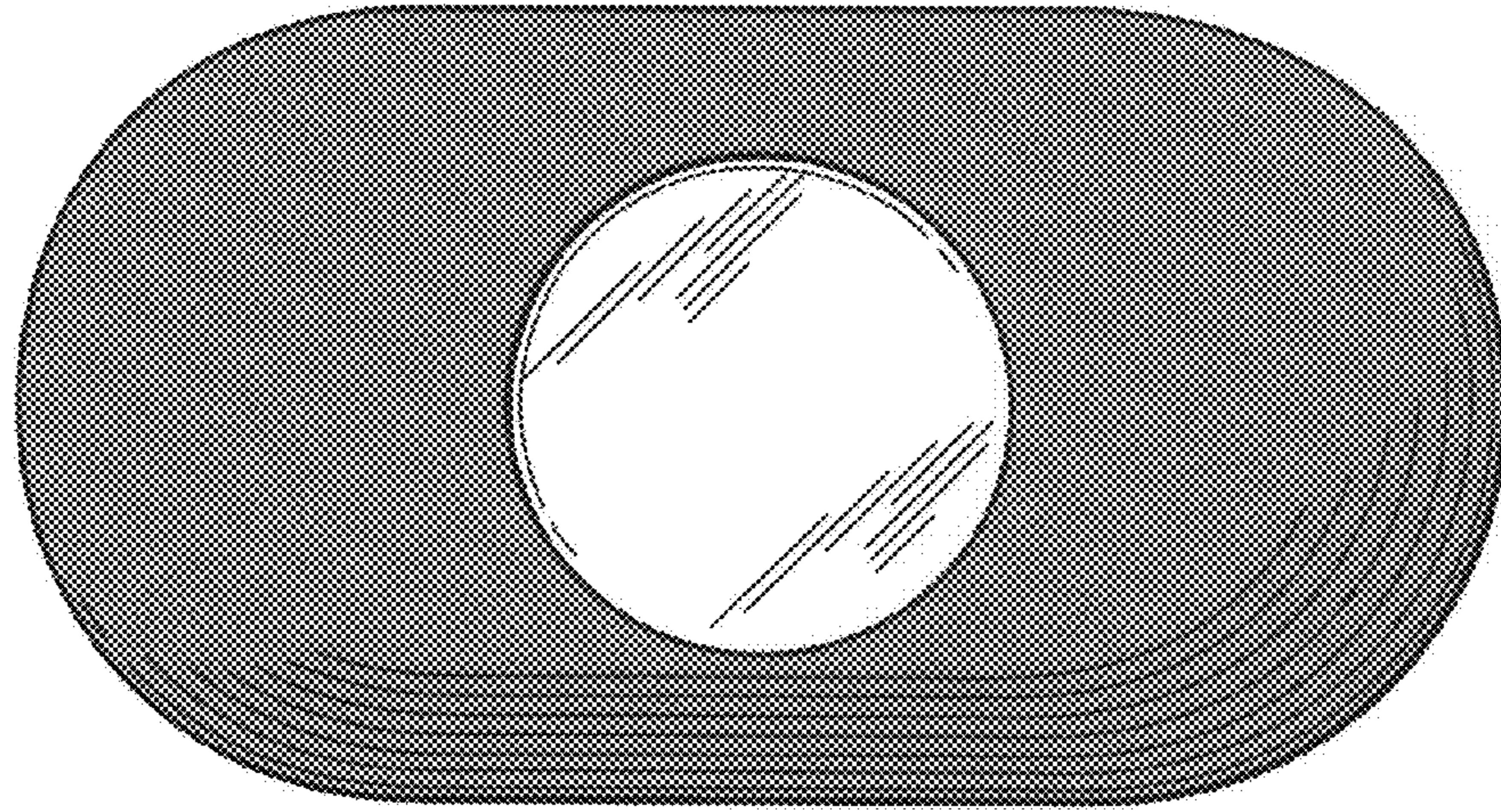


FIG. 17

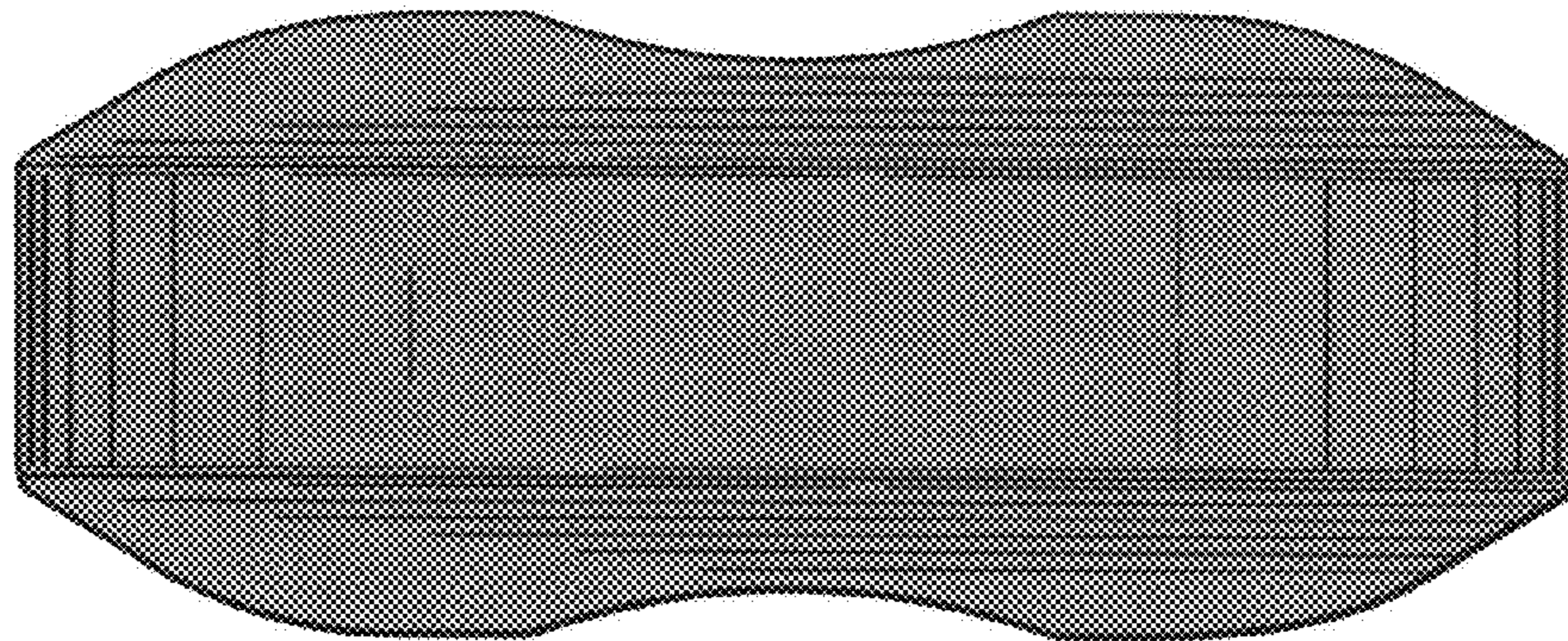


FIG. 18

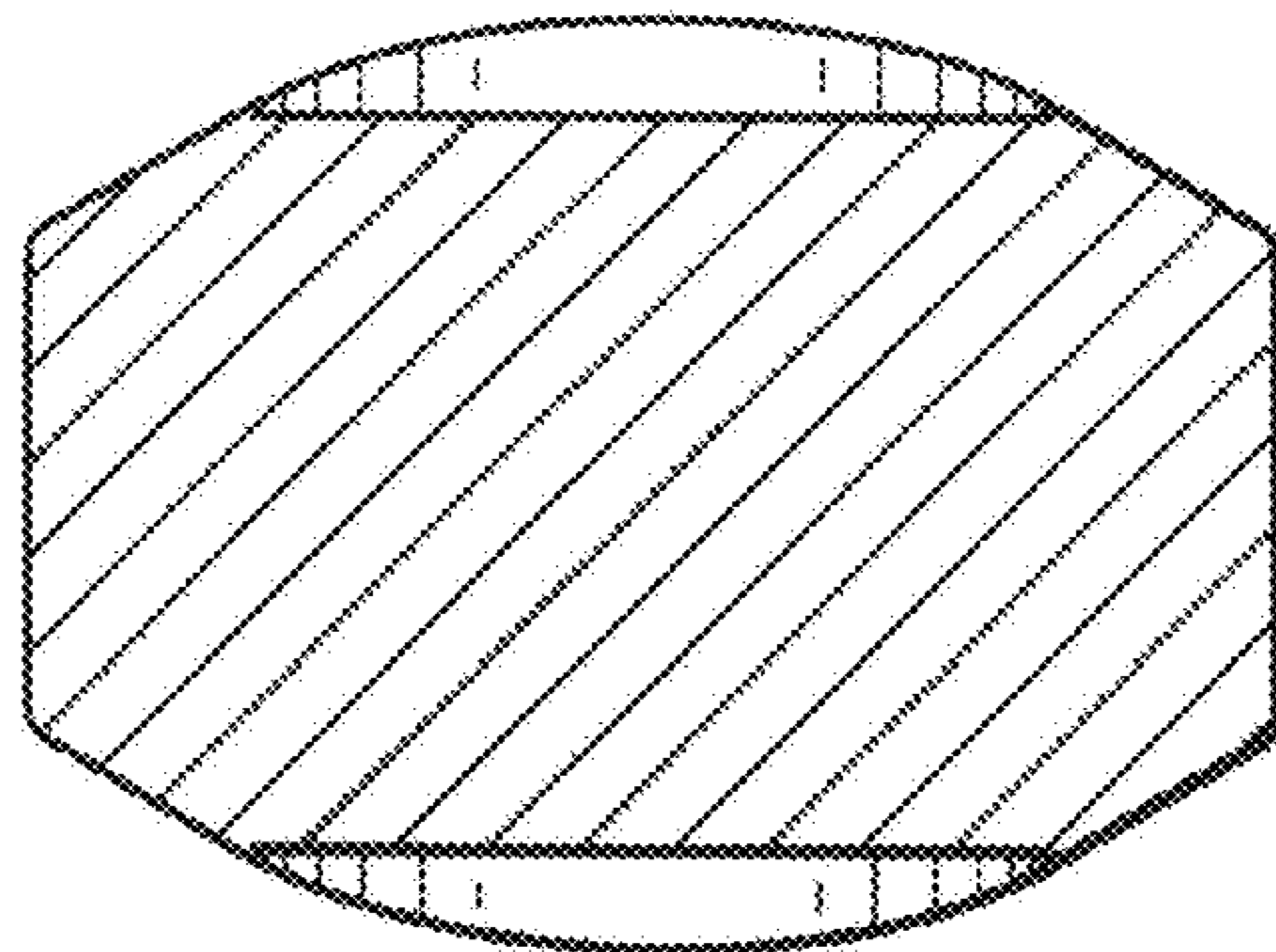


FIG. 19

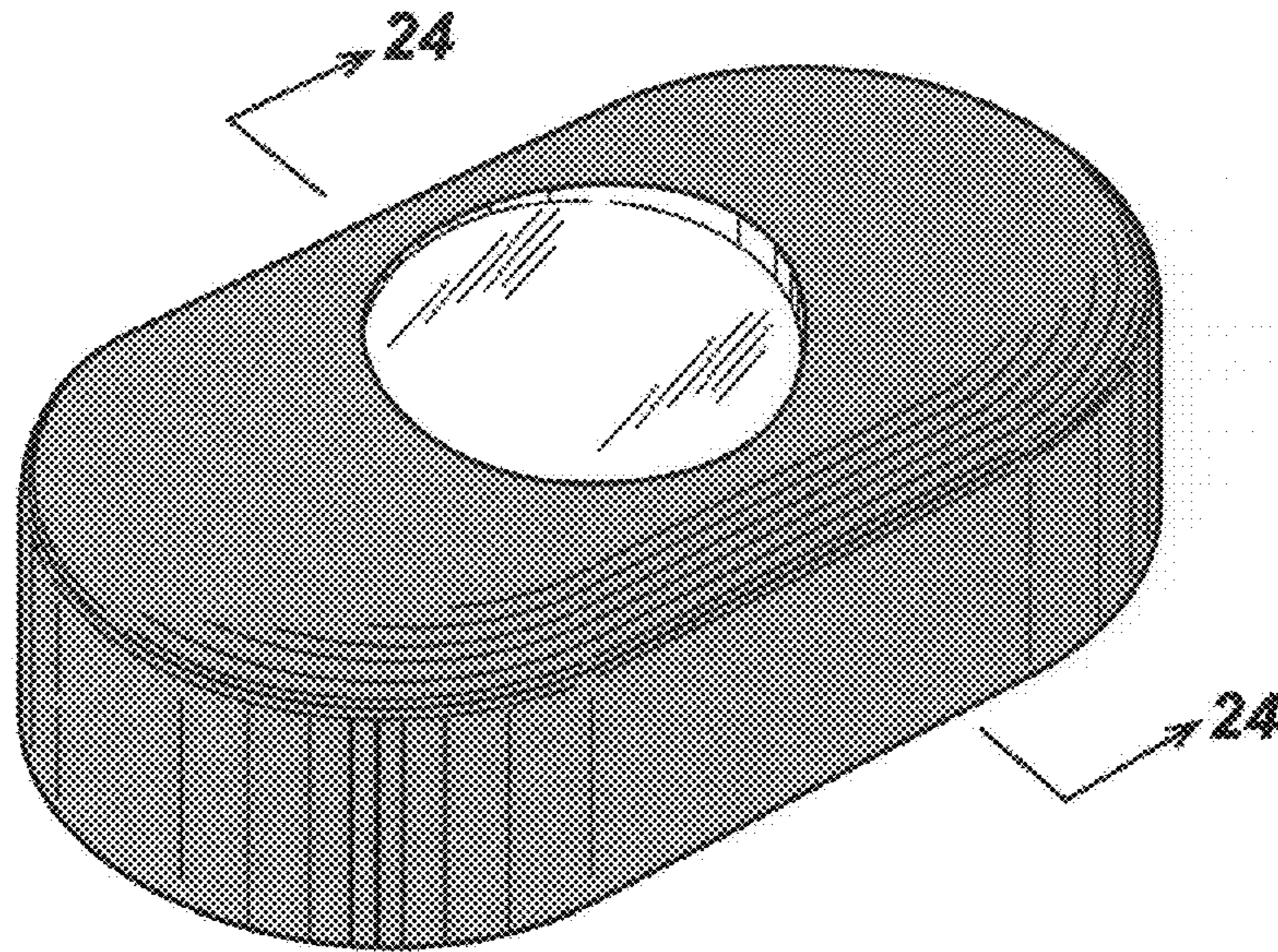


FIG. 20

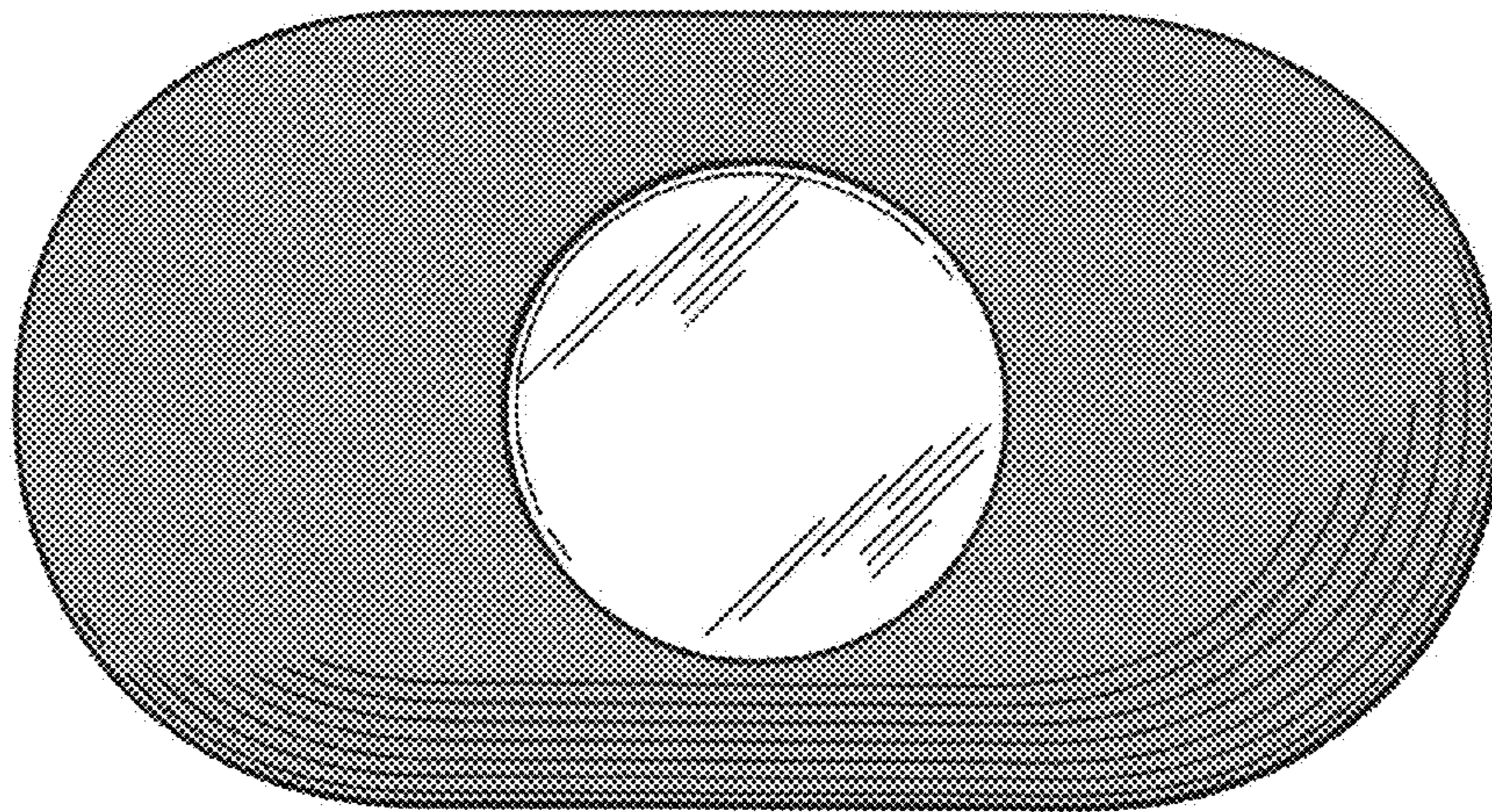


FIG. 21

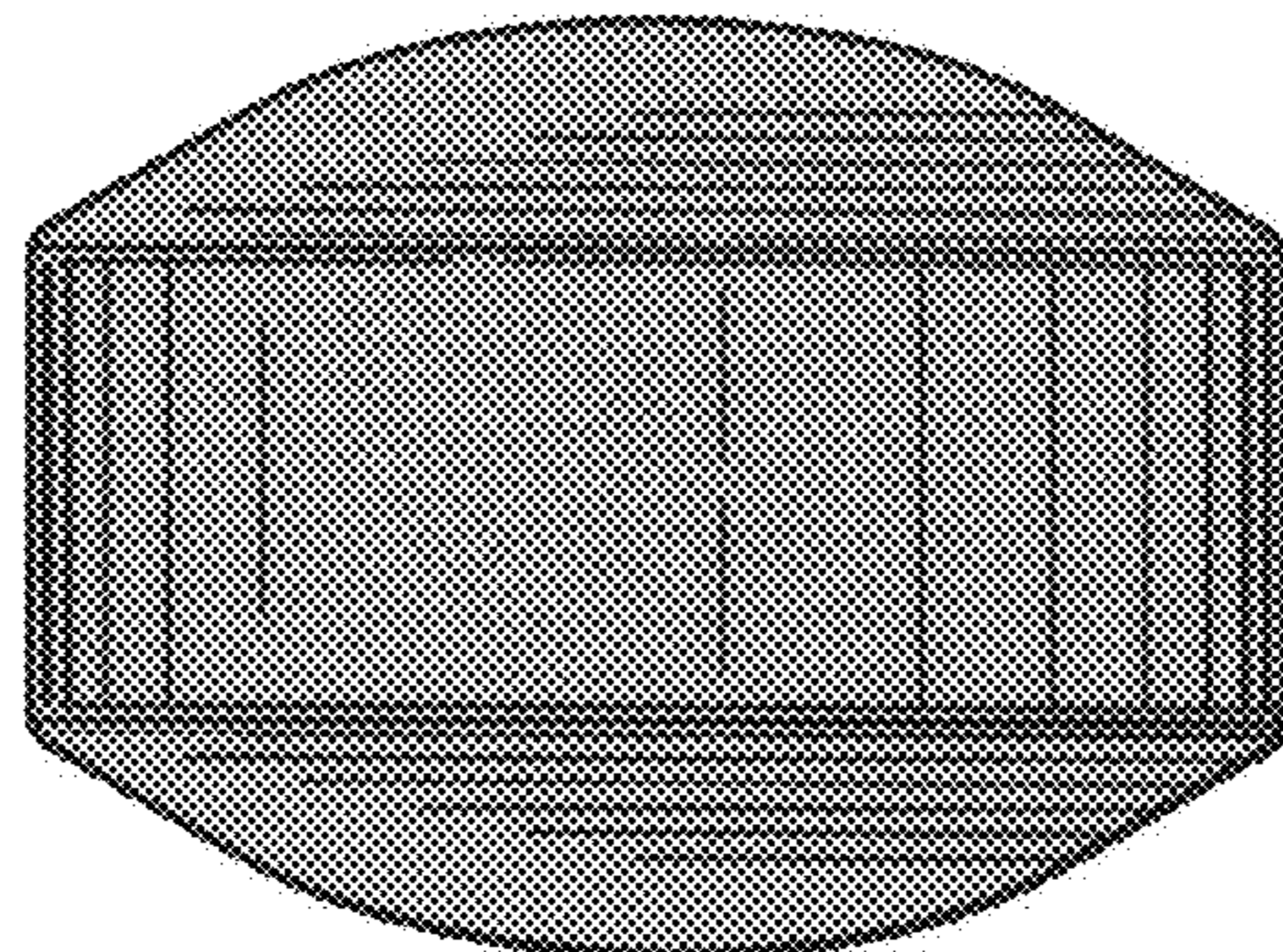


FIG. 22

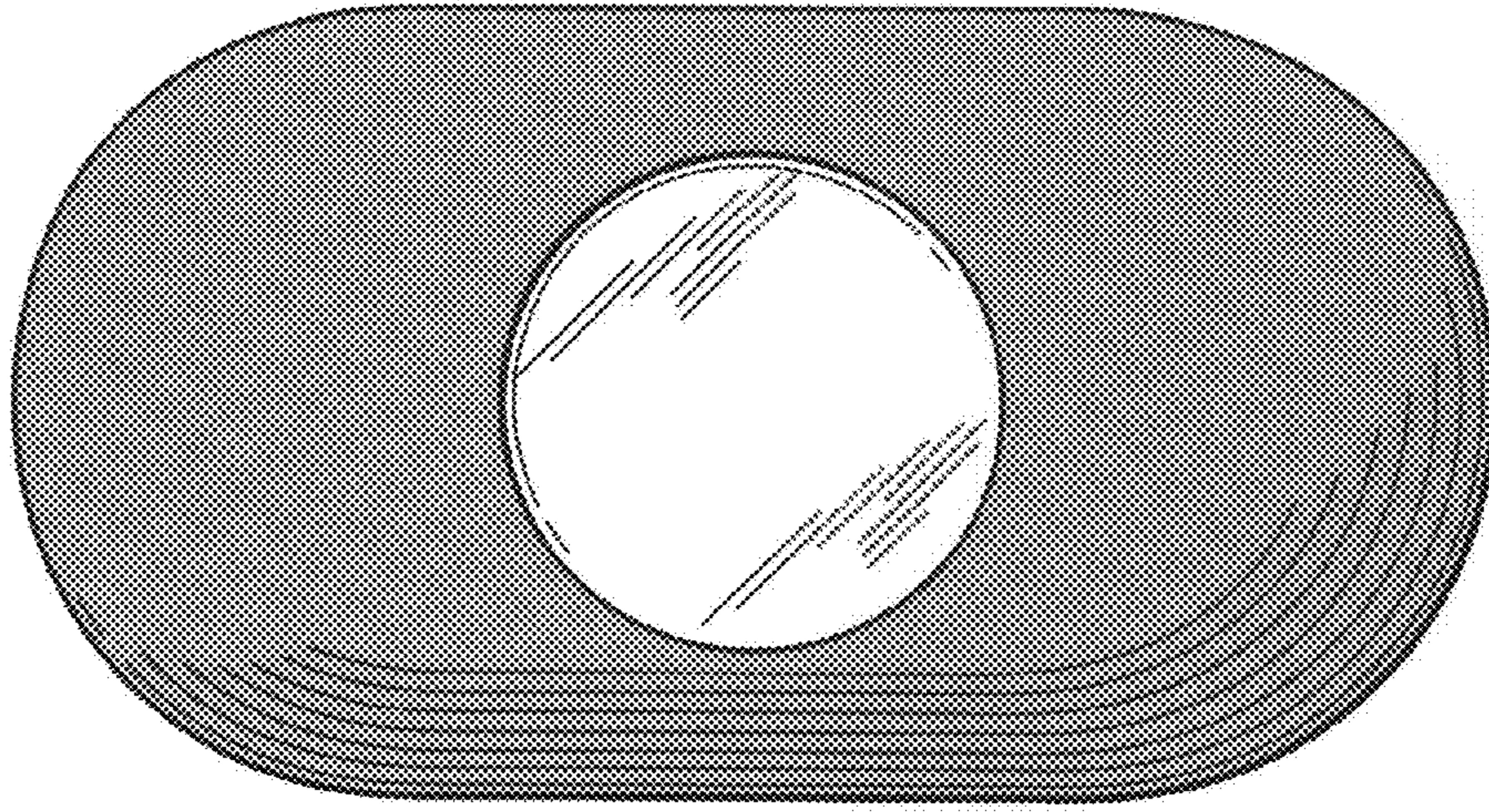


FIG. 23

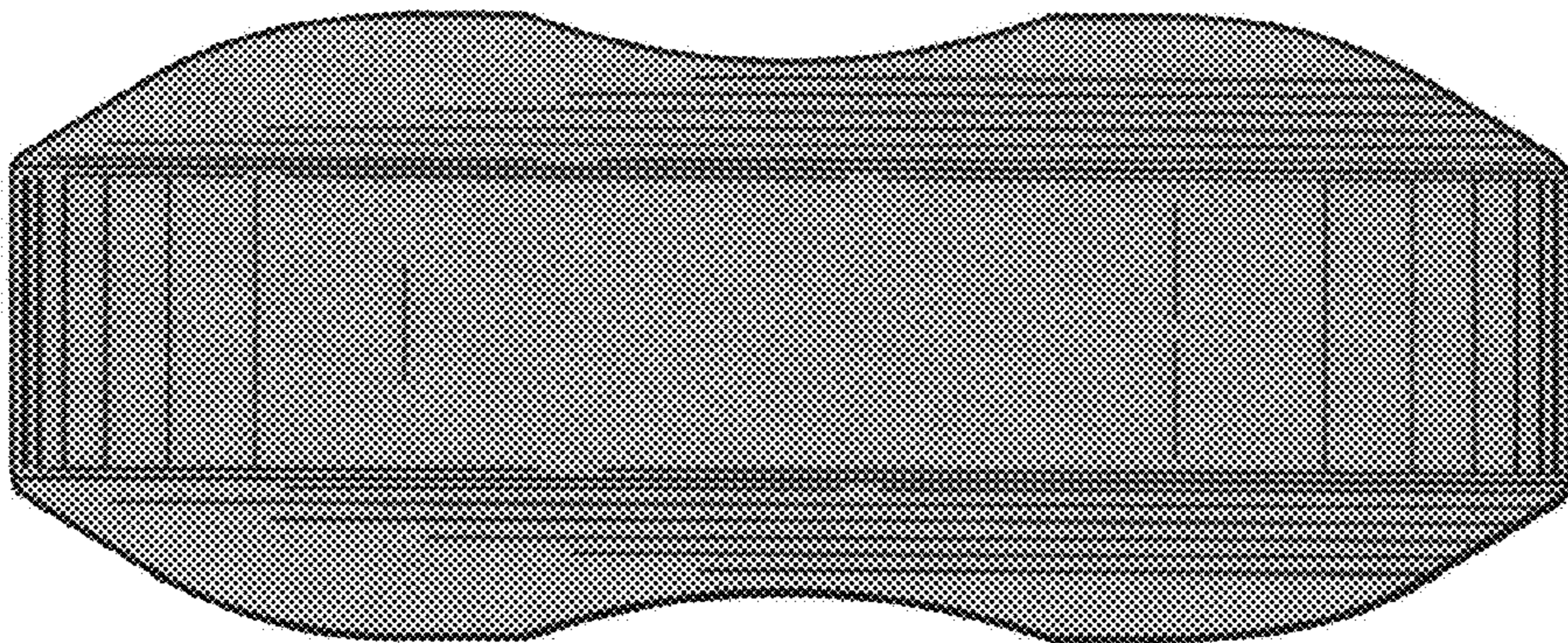


FIG. 24

