



US00D610673S

(12) **United States Design Patent**  
**Sterpka et al.**

(10) **Patent No.:** **US D610,673 S**  
(45) **Date of Patent:** **\*\* Feb. 23, 2010**

(54) **CIRCULAR TUBULAR FRAME FOR A DESK FAN**

(76) Inventors: **Frank Sterpka**, 47 Skyview Dr., Apt 3, West Hartford, CT (US) 06117; **Philip Nathan**, 3 Knollwood Rd., West Hartford, CT (US) 06110

(\*\*) Term: **14 Years**

(21) Appl. No.: **29/315,247**

(22) Filed: **Jun. 9, 2009**

(51) **LOC (9) Cl.** ..... **23-04**

(52) **U.S. Cl.** ..... **D23/411**

(58) **Field of Classification Search** ..... D23/411, D23/370, 381, 382, 332; 416/244 R, 247 R  
See application file for complete search history.

(56) **References Cited**

U.S. PATENT DOCUMENTS

D470,469 S \* 2/2003 Hirano ..... D23/411  
D574,480 S \* 8/2008 Hsu ..... D23/411

\* cited by examiner

*Primary Examiner*—Lisa P Lichtenstein

(74) *Attorney, Agent, or Firm*—Basil E. Demeur; Alan B. Samlan; David J. Hurley

(57) **CLAIM**

The ornamental design for a circular tubular frame for a desk fan, as shown and described.

**DESCRIPTION**

FIG. 1 is a front perspective view of the circular tubular frame for a desk fan of the present invention;

FIG. 2 is a rear perspective view showing the circular tubular frame for a desk fan of the present invention;

FIG. 3 is a front elevational view of the circular tubular frame for a desk fan;

FIG. 4 is a rear elevational view of the circular tubular frame for a desk fan;

FIG. 5 is a side elevational view of the circular tubular frame for a desk fan;

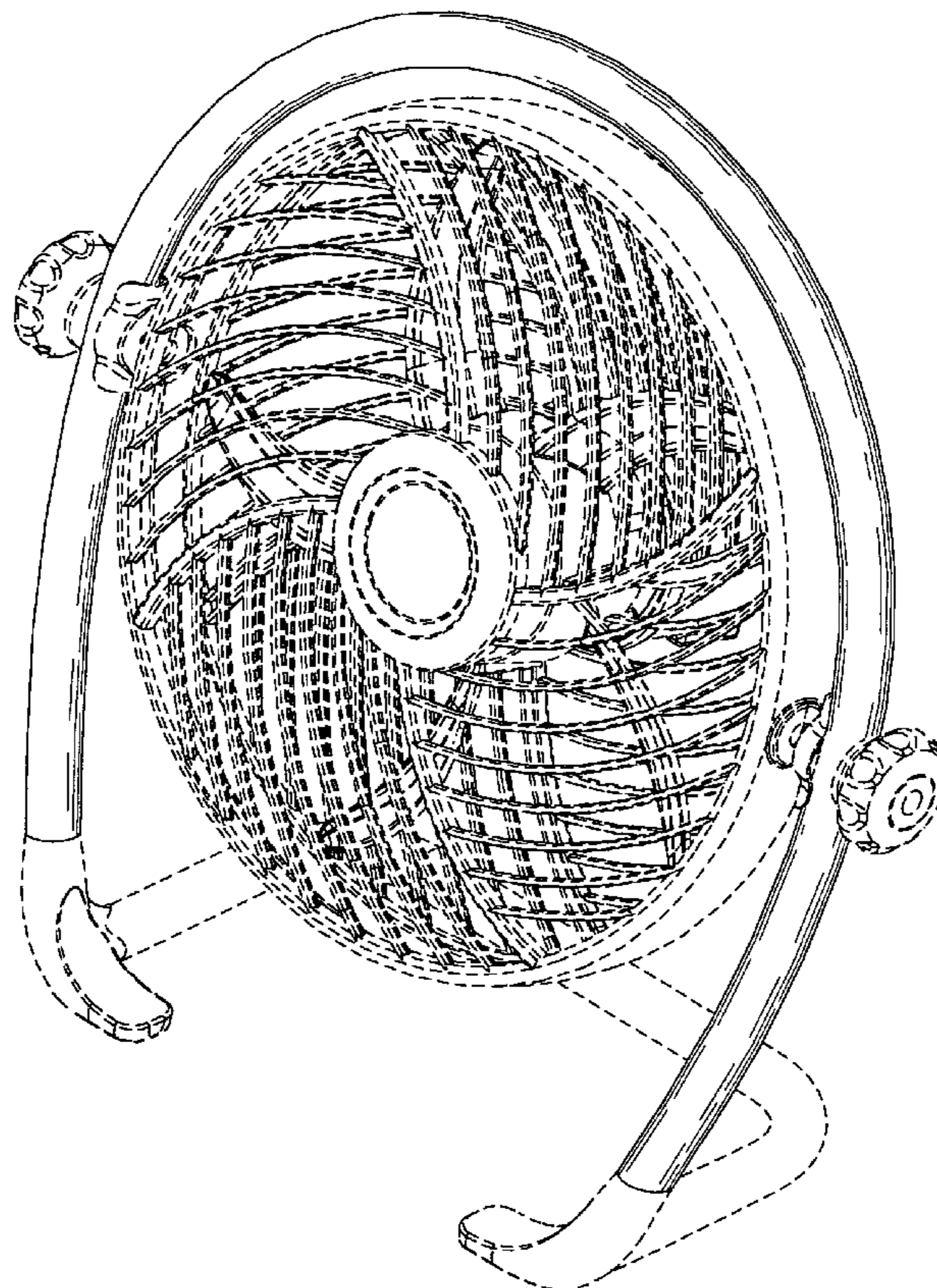
FIG. 6 is a side elevational view of the opposed side of the circular tubular frame for a desk fan;

FIG. 7 is a bottom view of the circular tubular frame for a desk fan; and,

FIG. 8 is a top view of the circular tubular frame for a desk fan.

The broken line showing of the fan grill, hub and base is included for the purpose of illustrating environmental structure and forms no part of the claimed design.

**1 Claim, 7 Drawing Sheets**



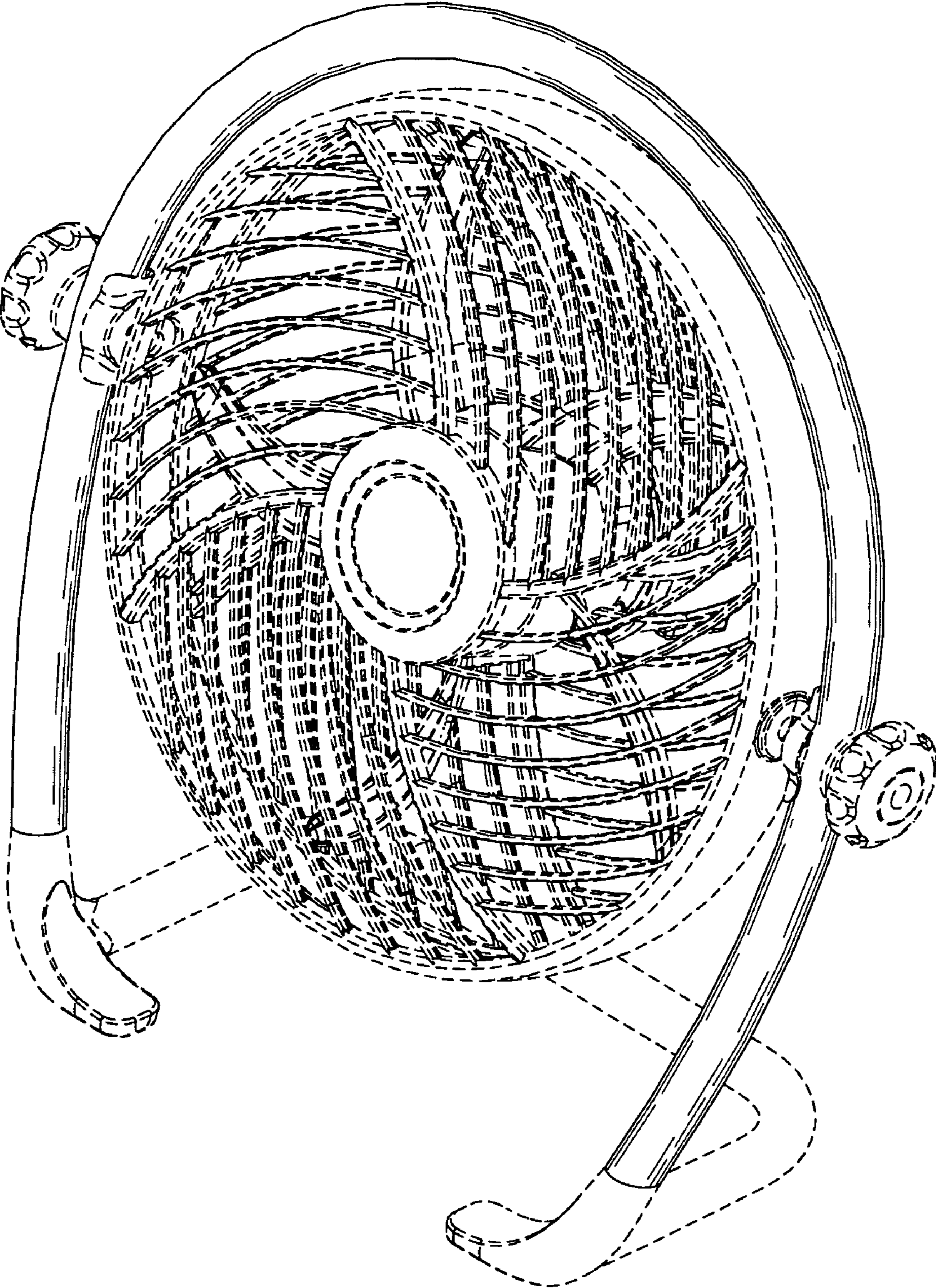


FIG. 1

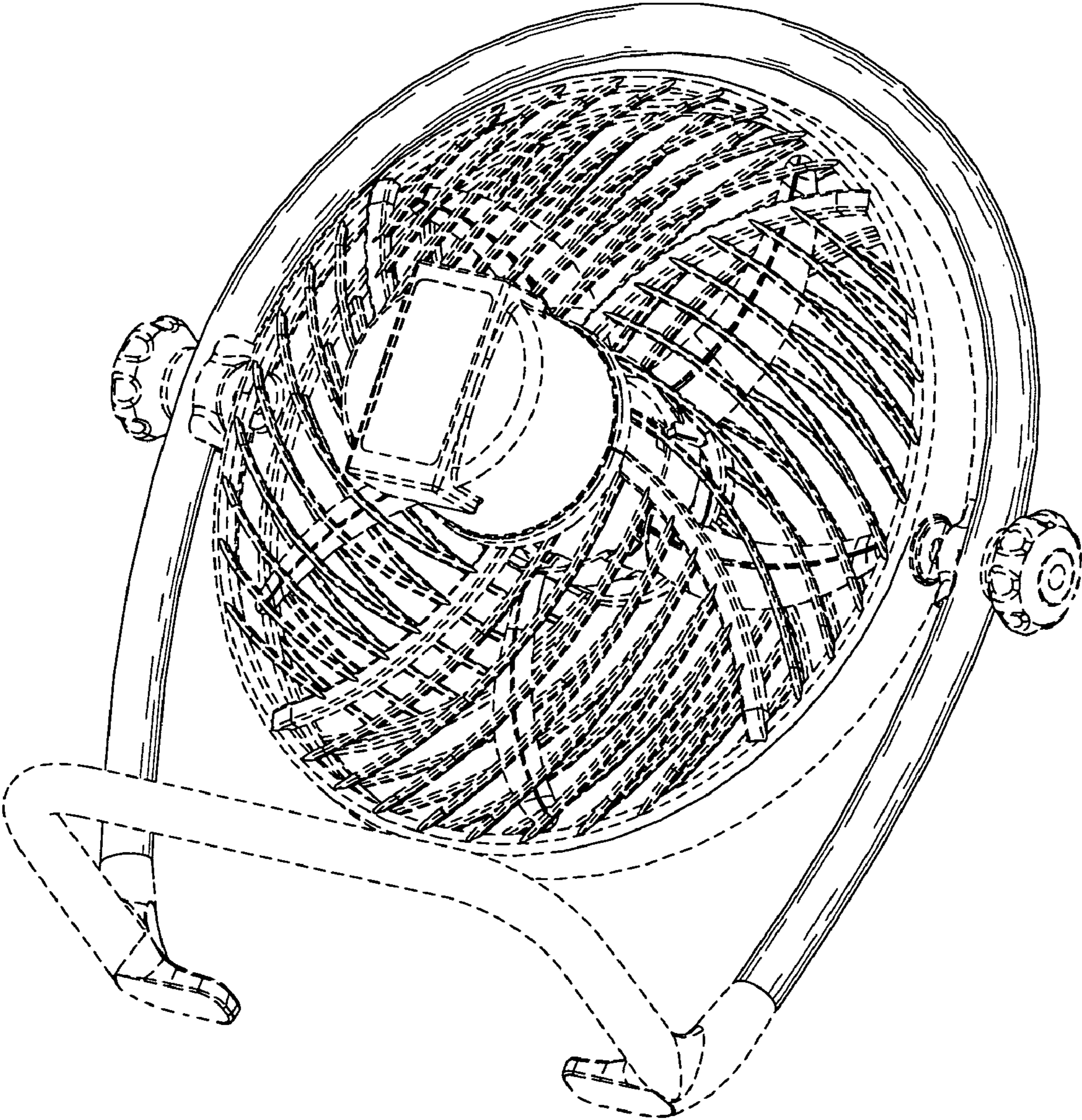


FIG. 2

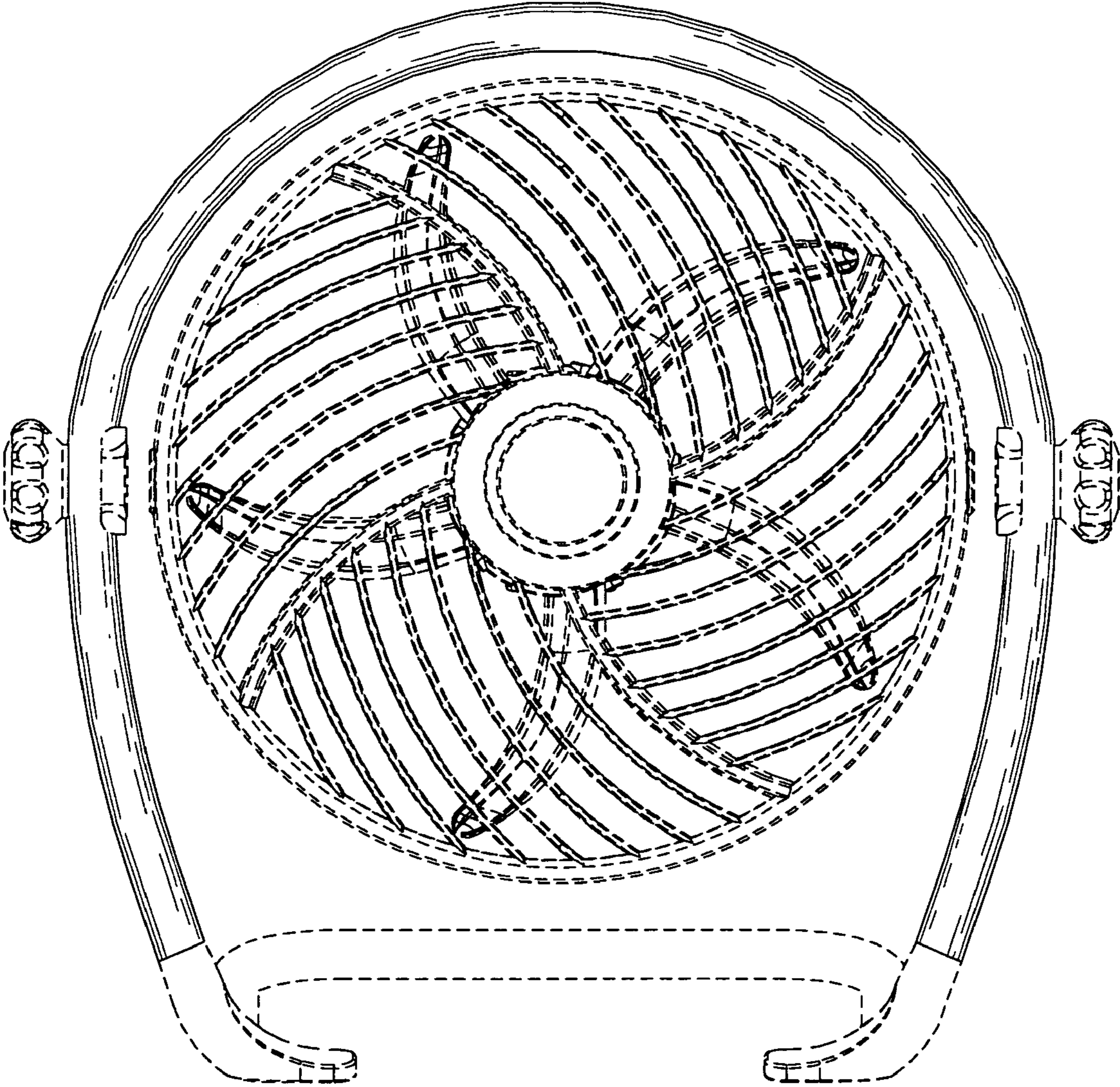


FIG. 3

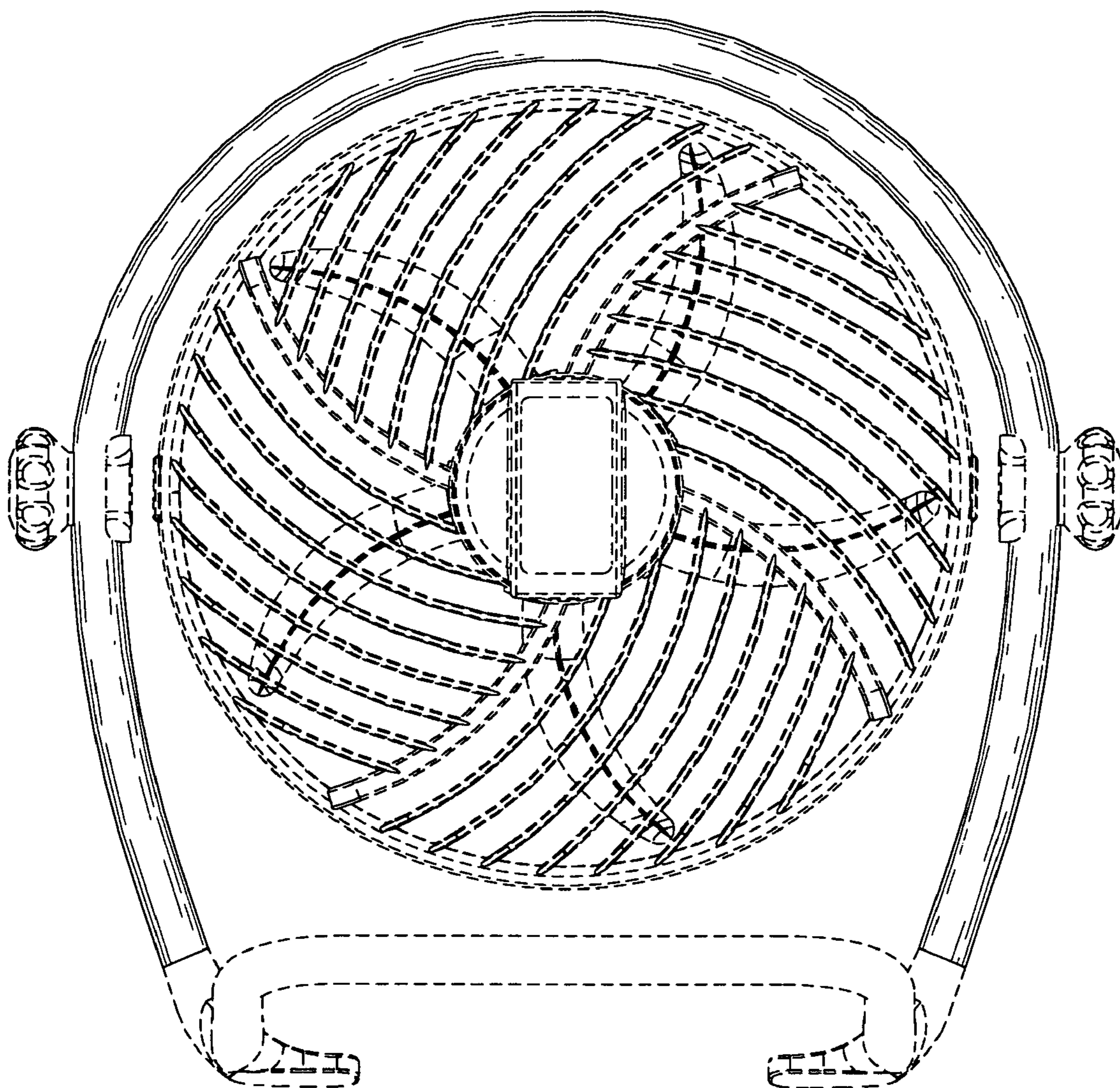
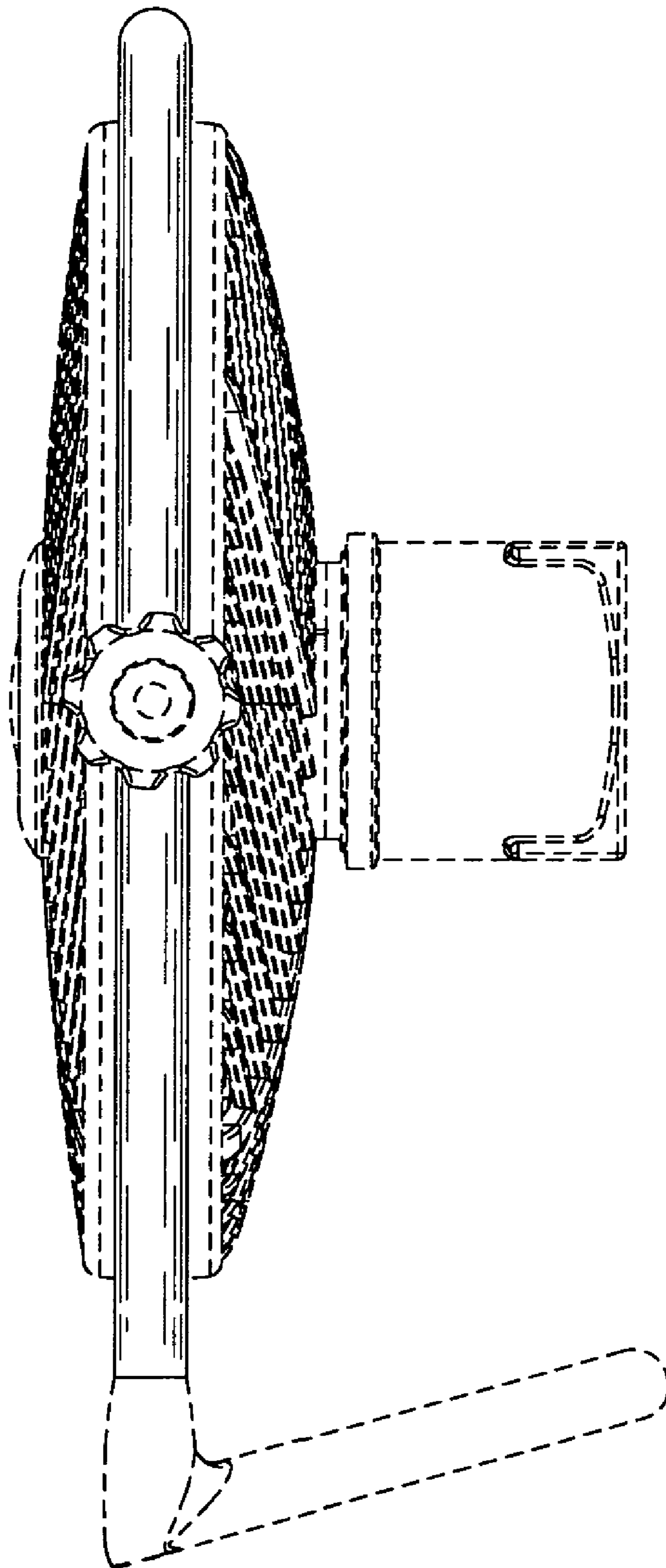
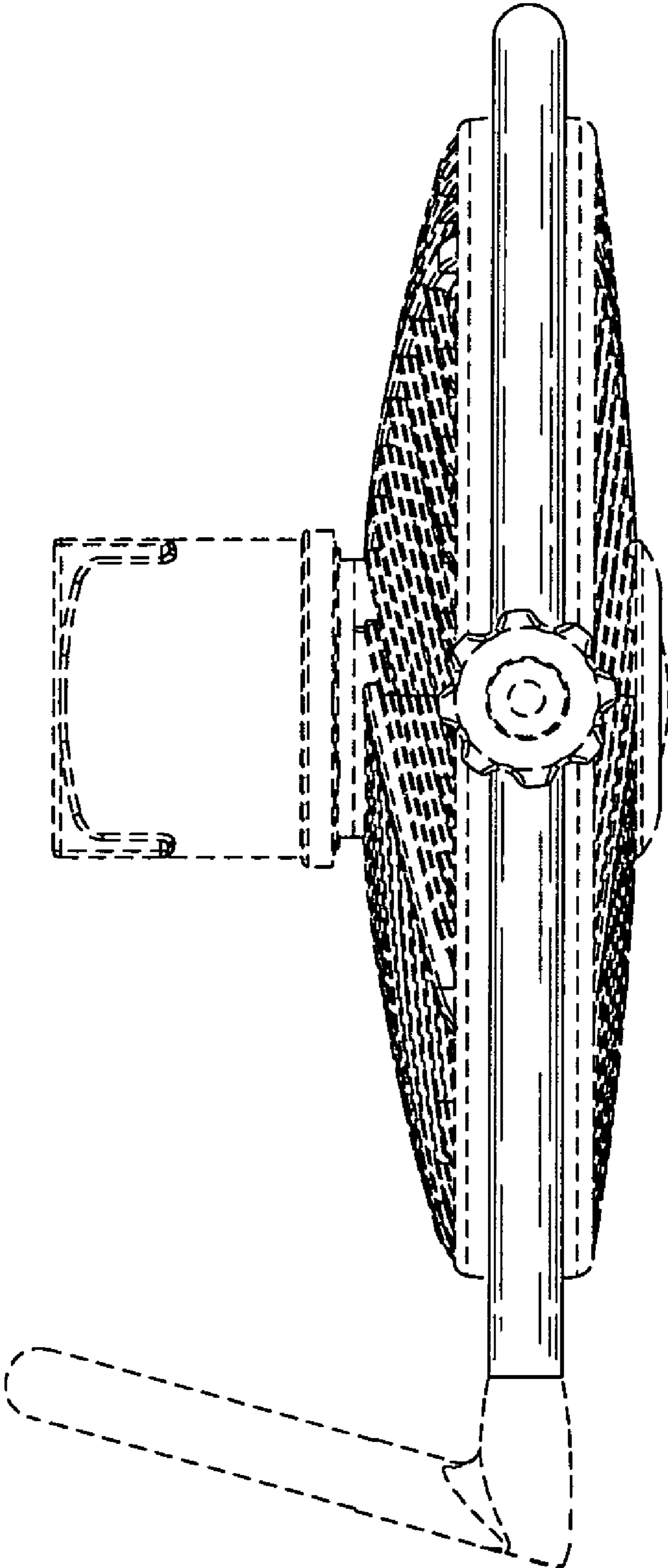


FIG. 4



**FIG. 5**



**FIG. 6**

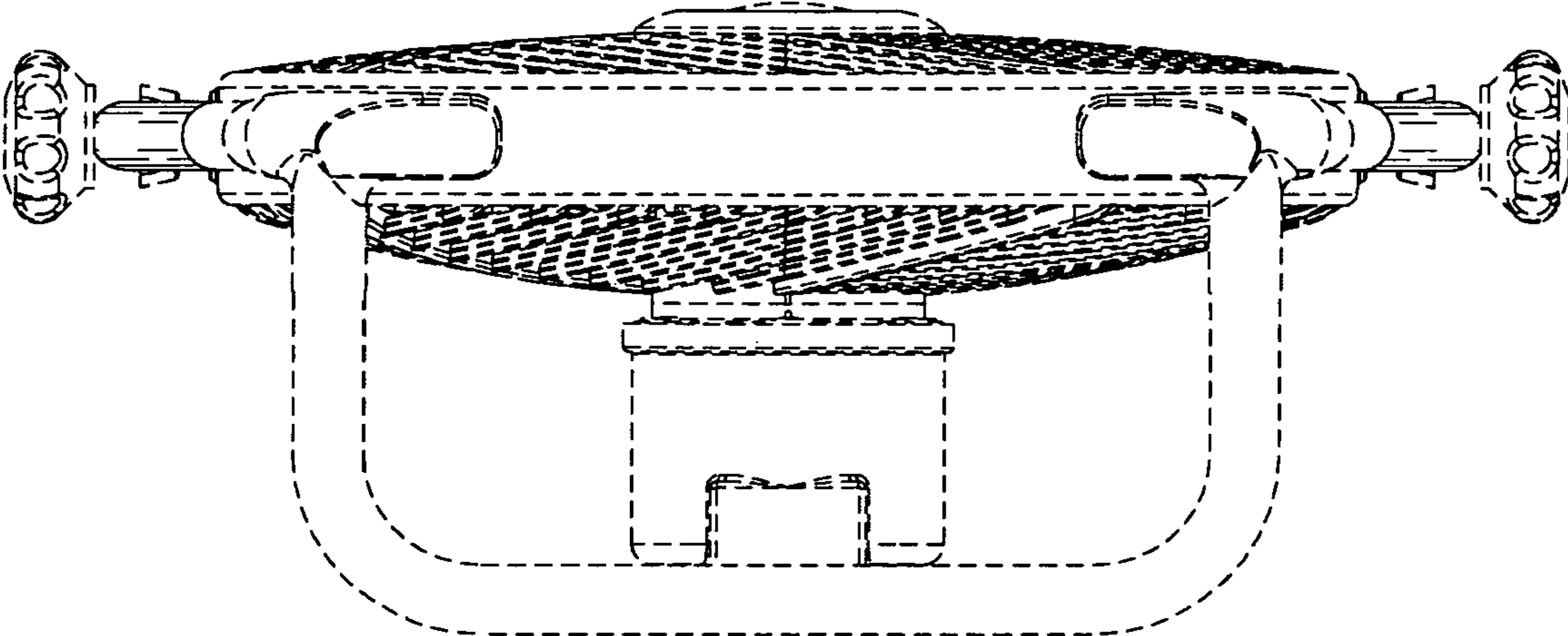


FIG. 7

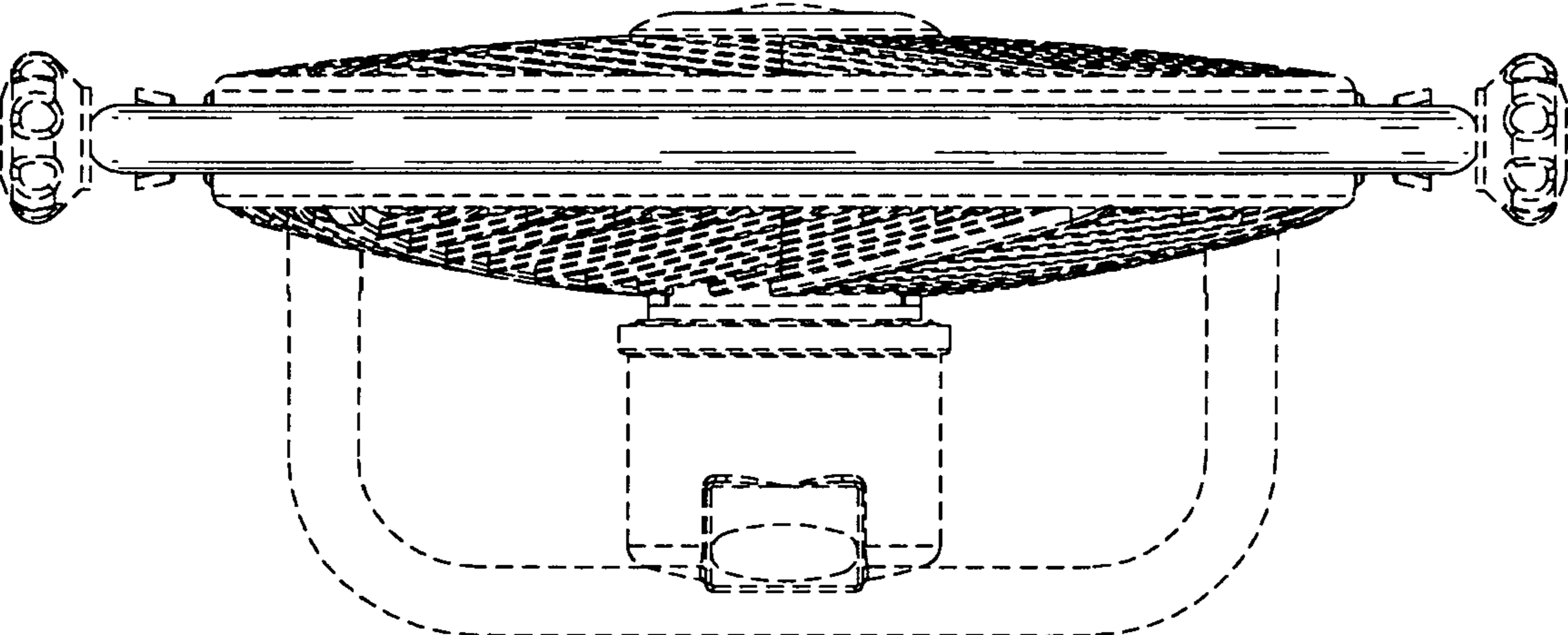


FIG. 8