



US00D610671S

(12) **United States Design Patent**
Zhuang et al.

(10) **Patent No.:** **US D610,671 S**
(45) **Date of Patent:** **** Feb. 23, 2010**

(54) **HIGH VELOCITY FAN**

(76) Inventors: **York Zhuang**, A2 Building, Dahe Industrial Area, Huanguan South Road, Guan Lan, Shenzhen (CN) 518110;
Renault Zeng, A2 Building, Dahe Industrial Area, Huanguan South Road, Guan Lan Town, Shenzhen, Guangdong Province (CN) 518110

(**) Term: **14 Years**

(21) Appl. No.: **29/315,245**

(22) Filed: **Jun. 9, 2009**

(51) **LOC (9) Cl.** **23-04**

(52) **U.S. Cl.** **D23/382**

(58) **Field of Classification Search** D23/382,
D23/381, 332, 370, 411, 412; 416/246 R,
416/247 R, 244 R

See application file for complete search history.

(56) **References Cited**

U.S. PATENT DOCUMENTS

D429,326 S *	8/2000	Fok	D23/381
D546,436 S *	7/2007	Chen	D23/382
D566,260 S *	4/2008	Chen	D23/382

* cited by examiner

Primary Examiner—Lisa P Lichtenstein

(74) *Attorney, Agent, or Firm*—Basil E. Demeur; Alan B. Samlan; David J. Hurley

(57) **CLAIM**

We claim the ornamental design for a high velocity fan, as shown and described.

DESCRIPTION

FIG. 1 is a front perspective view of the high velocity fan device;

FIG. 2 is a rear perspective view of the of the high velocity fan device;

FIG. 3 is a front elevational view of the high velocity fan device;

FIG. 4 is a rear elevational view of the high velocity fan device;

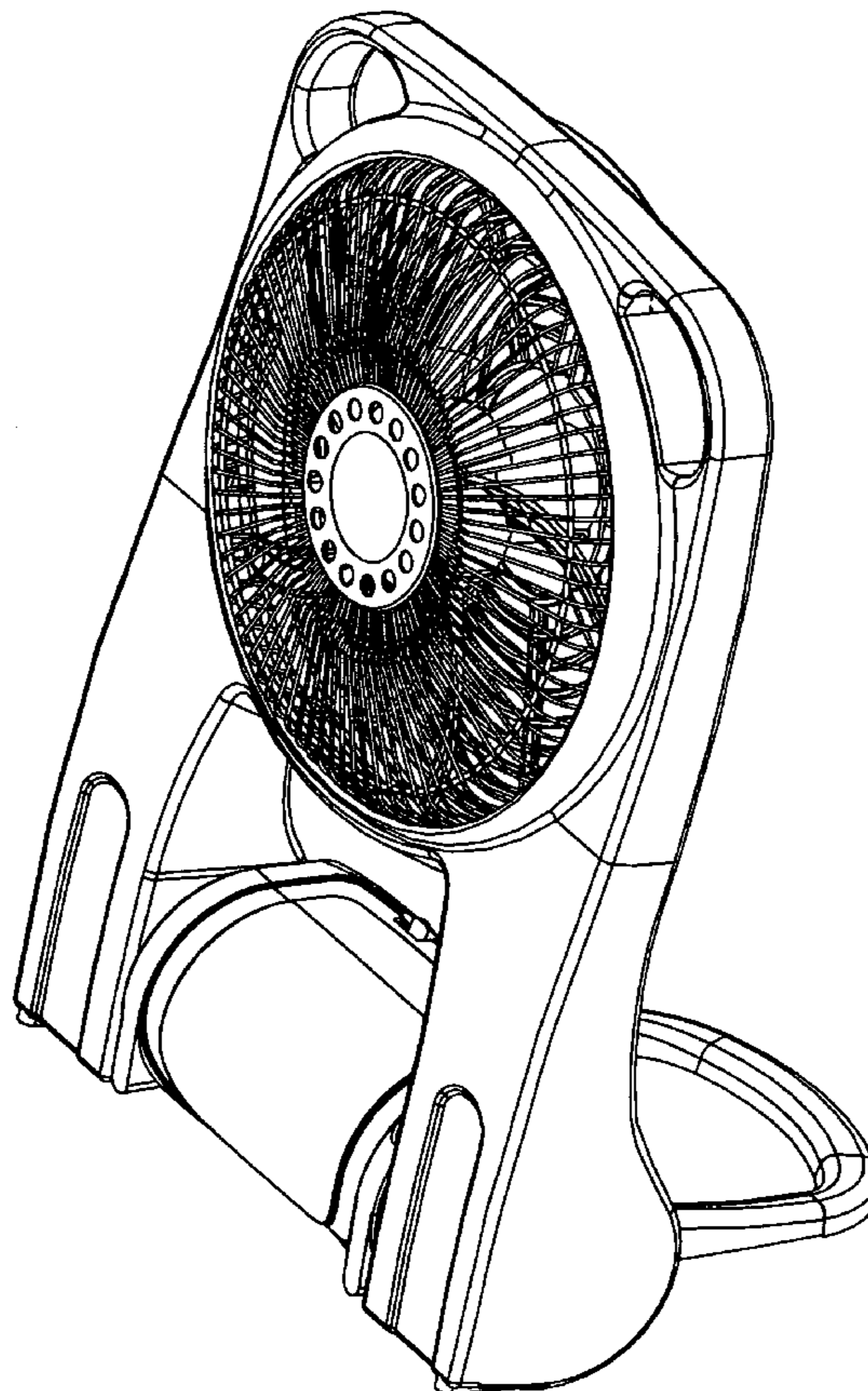
FIG. 5 is a side elevational view of the high velocity fan device;

FIG. 6 is a side elevational view of the opposed side of the high velocity fan device;

FIG. 7 is a top view of the high velocity fan device; and,

FIG. 8 is a bottom view of the high velocity fan device.

1 Claim, 8 Drawing Sheets



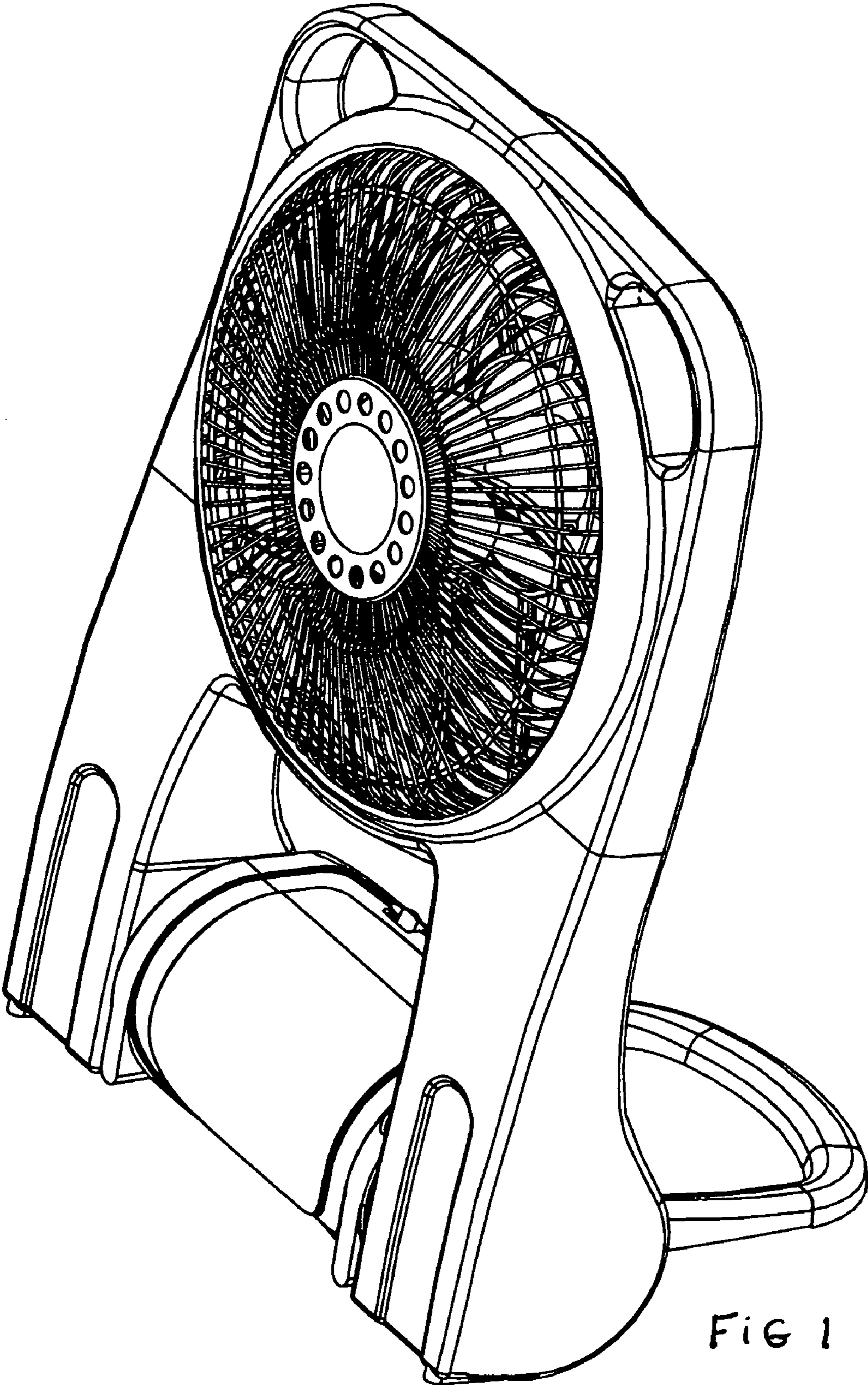


FIG 1

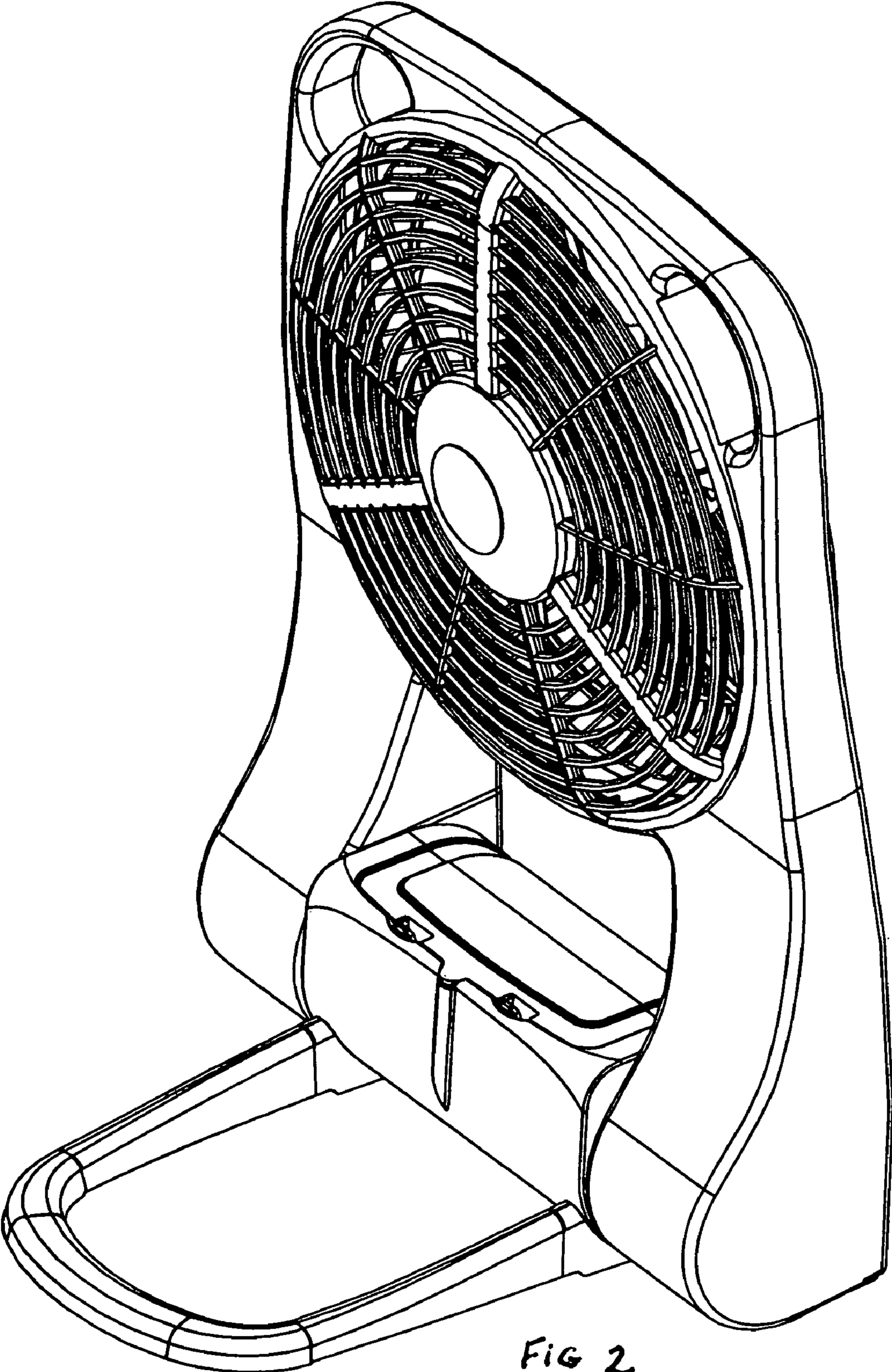


FIG 2

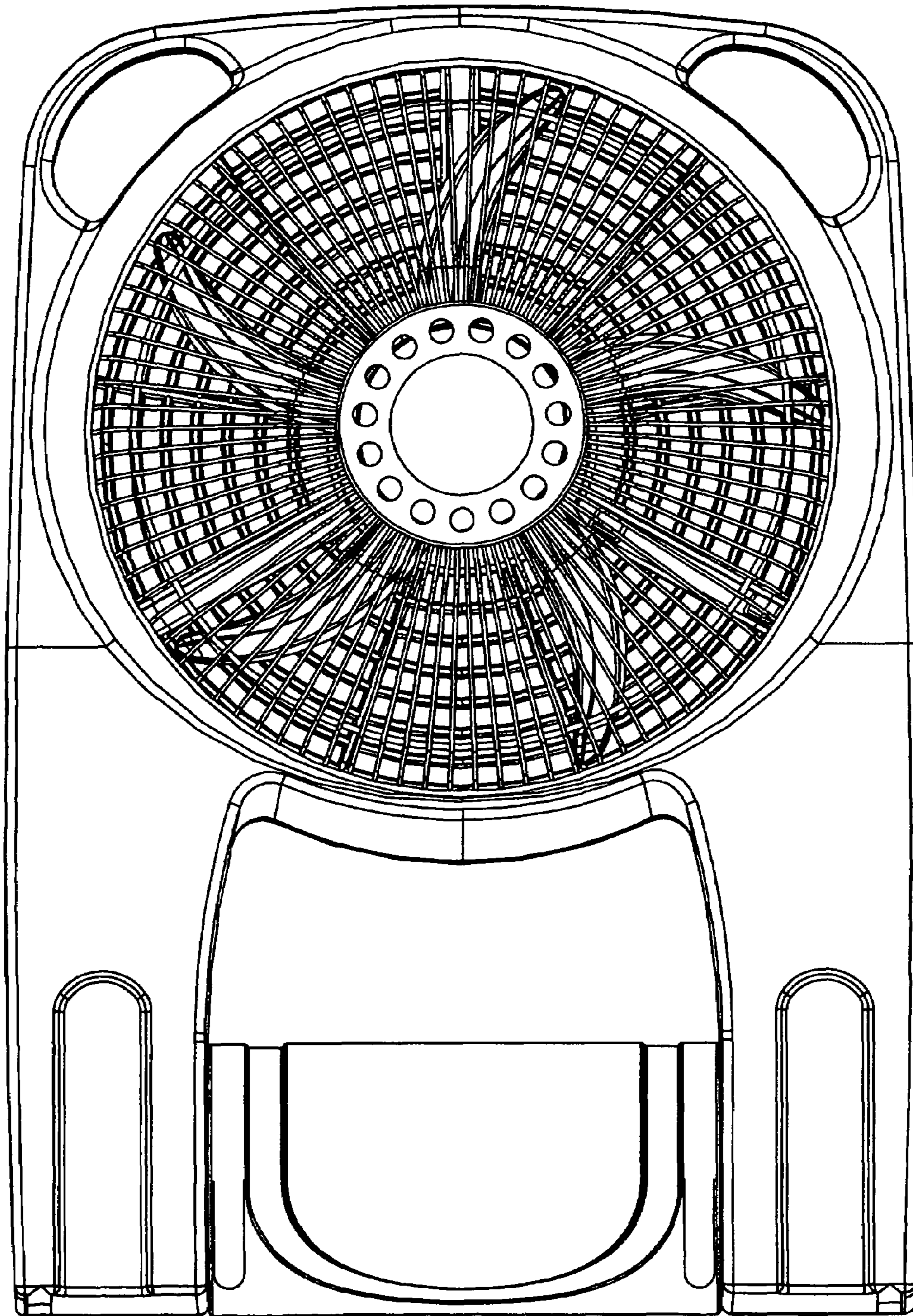


FIG 3

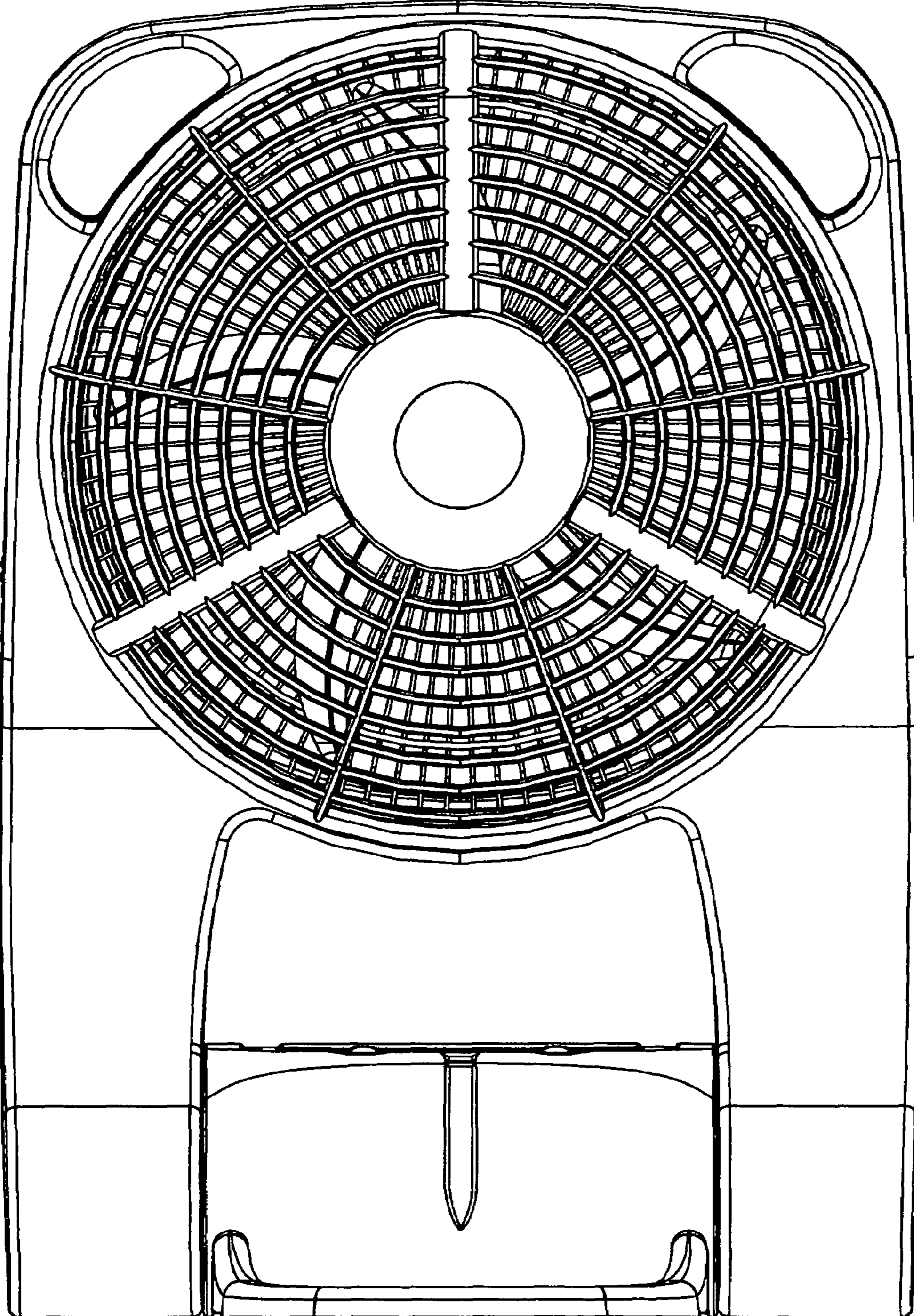
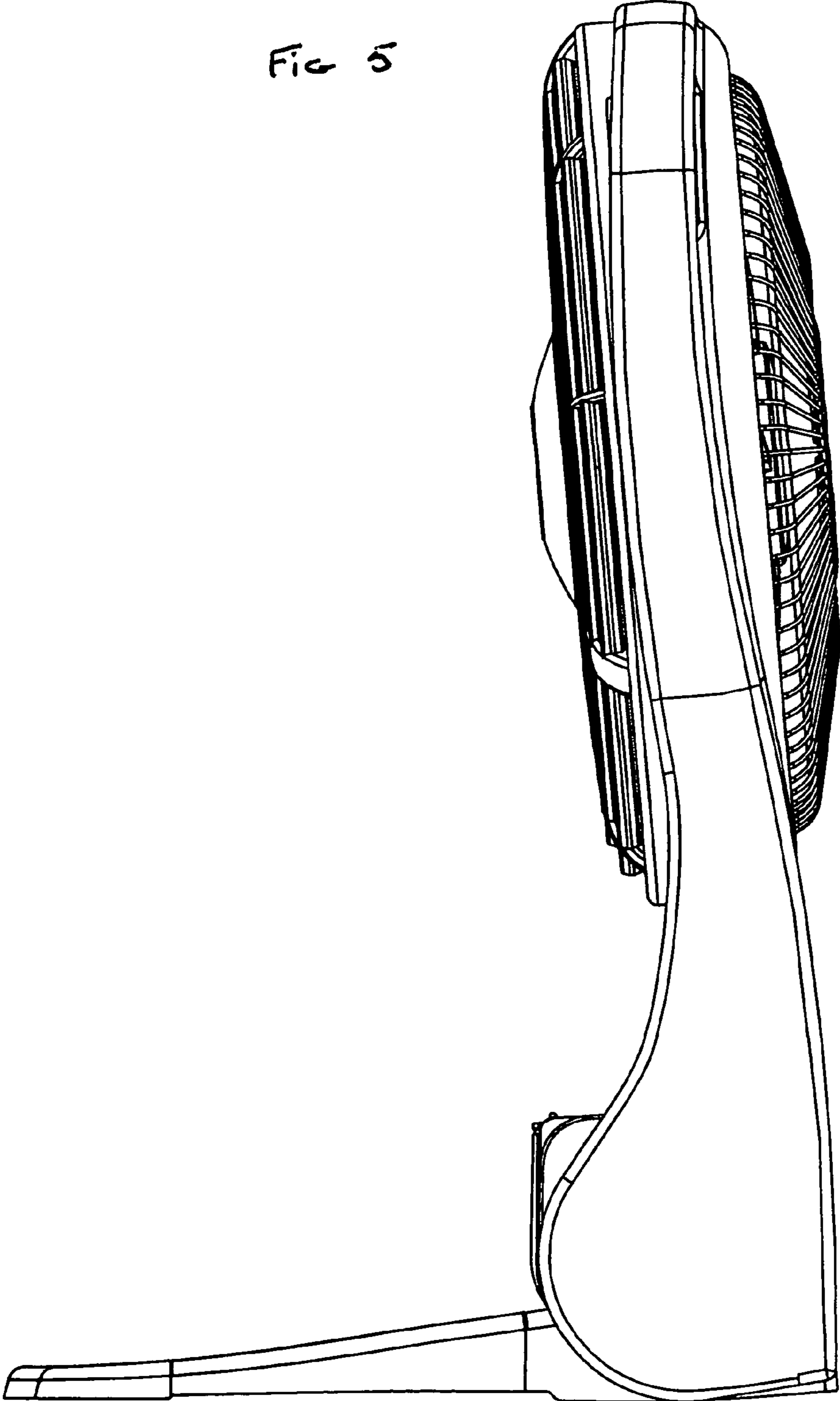


FIG 4

FIG 5



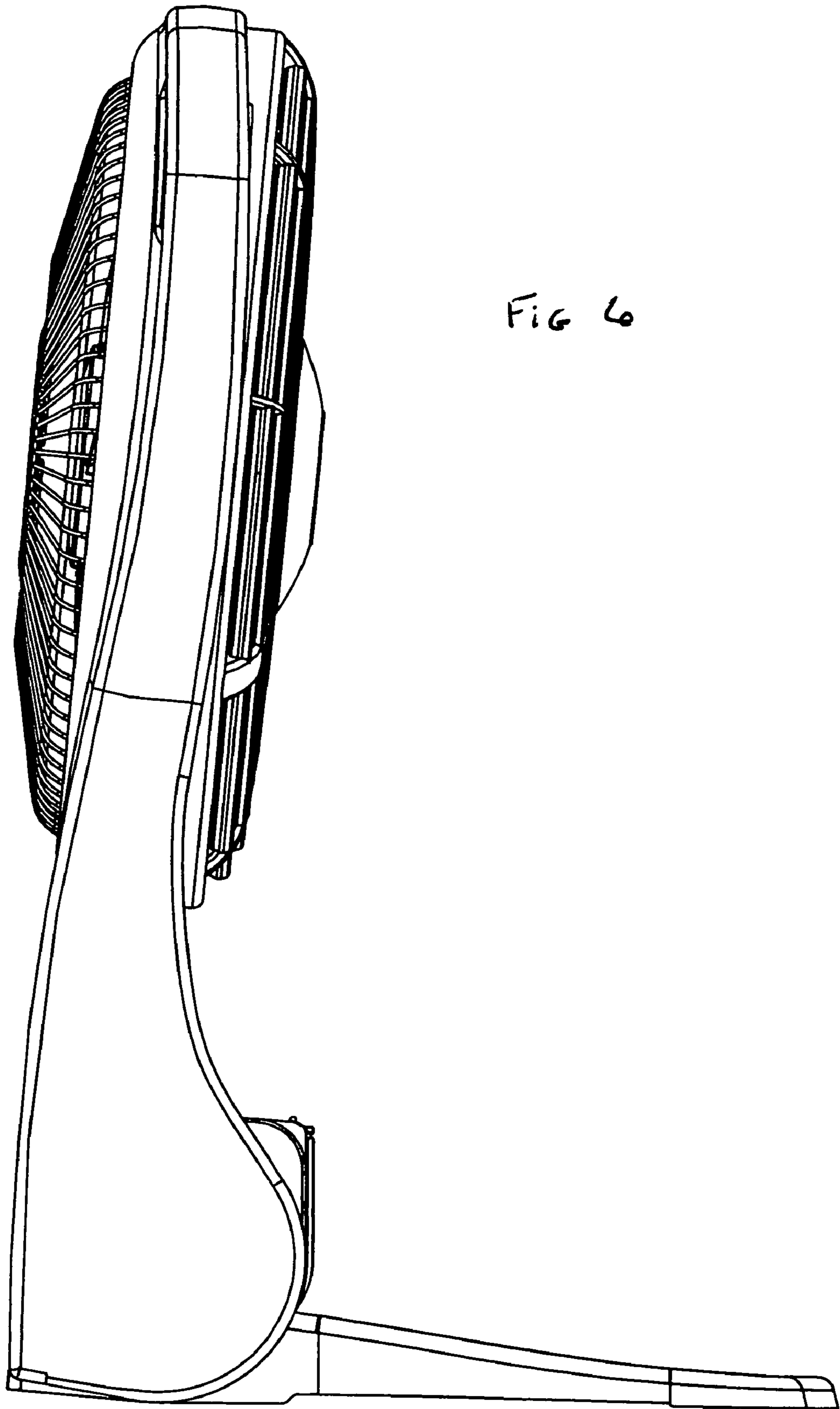
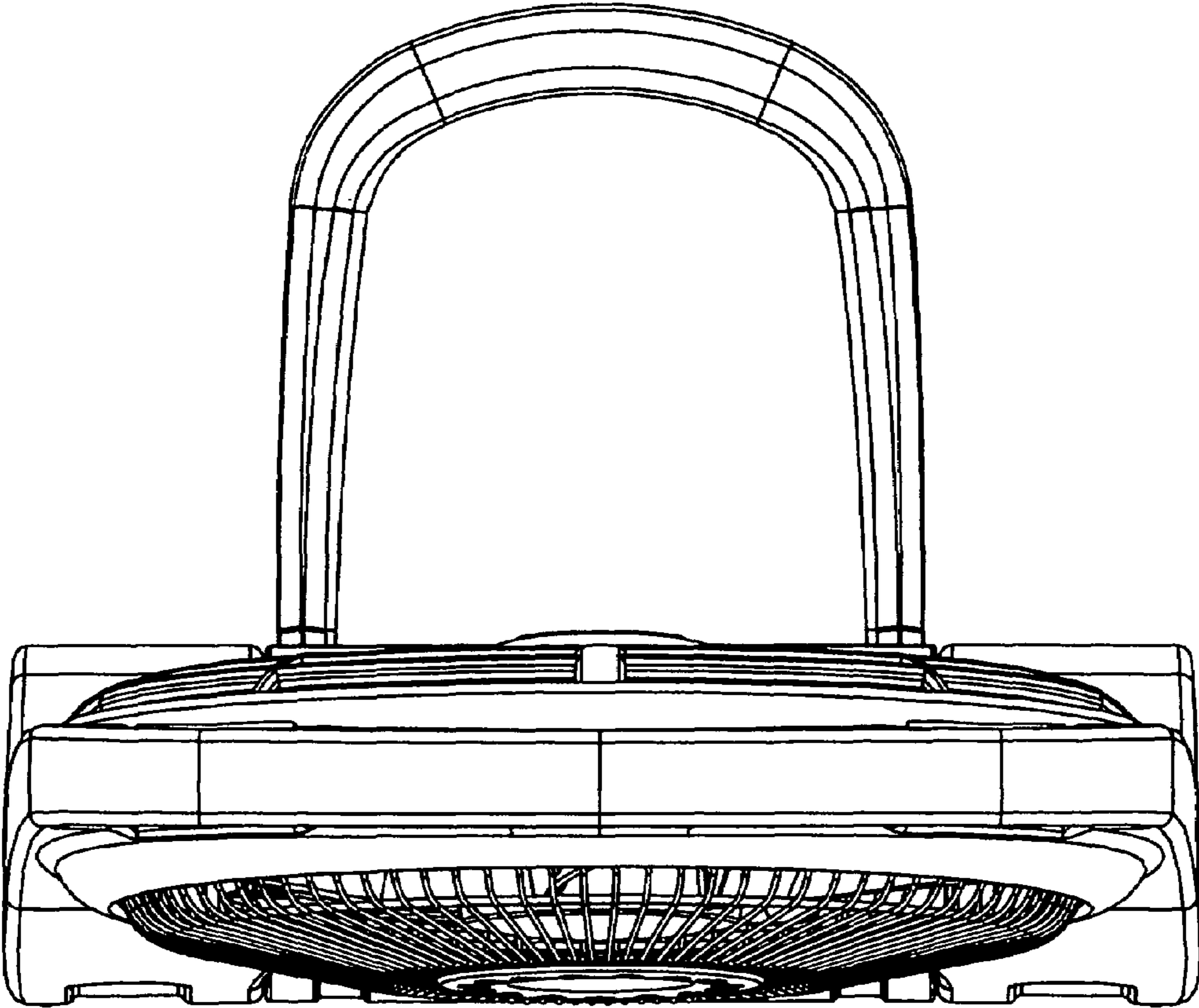


Fig 7



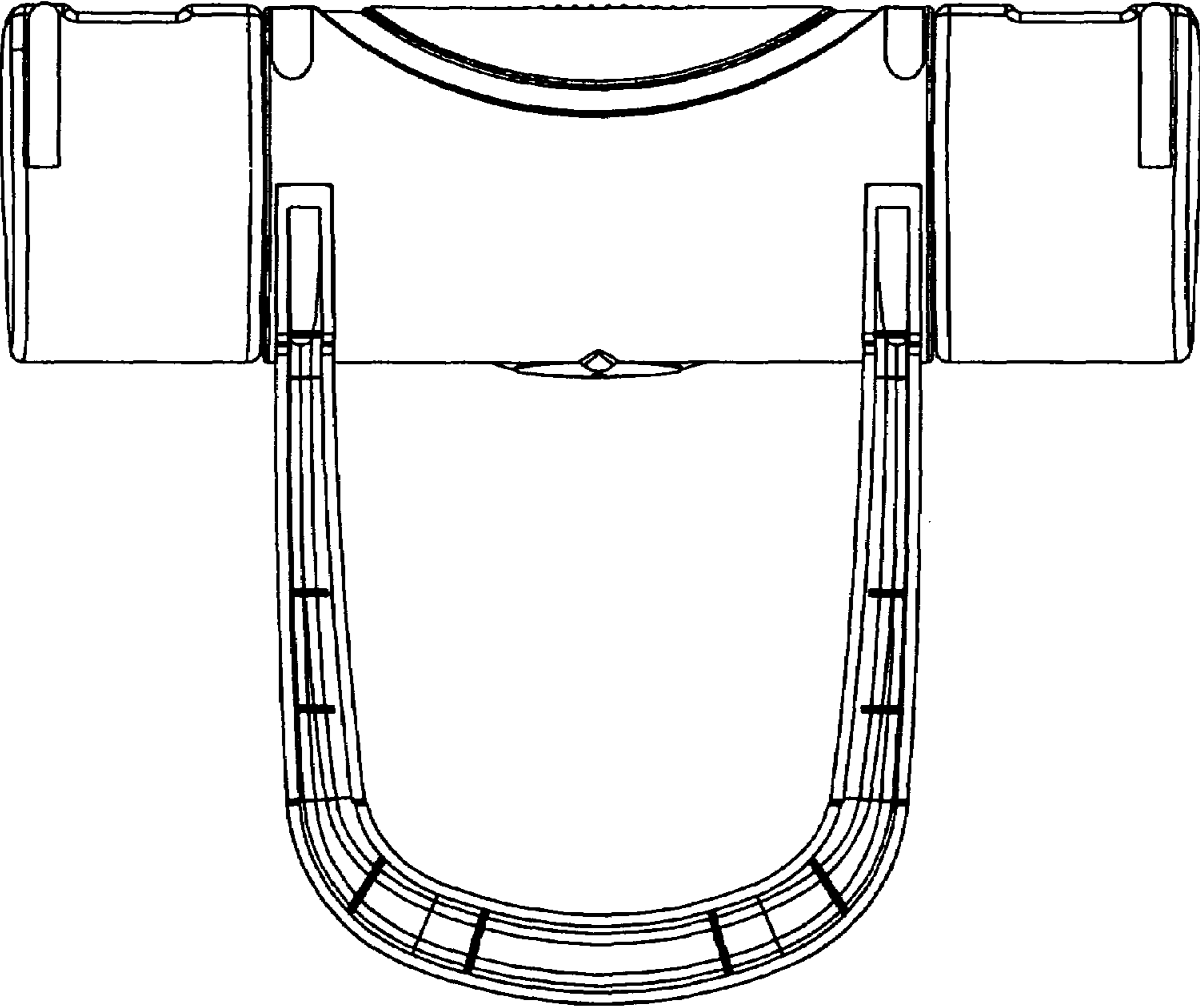


FIG 8