



US00D610670S

(12) **United States Design Patent**
Grey

(10) **Patent No.:** **US D610,670 S**

(45) **Date of Patent:** **** Feb. 23, 2010**

(54) **WALL-MOUNTED VENTILATION HOOD**

Primary Examiner—Lisa P Lichtenstein

(75) **Inventor:** **Jonathan Grey**, Huntersville, NC (US)

(74) *Attorney, Agent, or Firm*—James E. Howard; Andre Pallapies

(73) **Assignee:** **BSH Home Appliances Corporation**,
Huntington Beach, CA (US)

(57) **CLAIM**

(**) **Term:** **14 Years**

The ornamental design for a wall-mounted ventilation hood,
as shown and described.

(21) **Appl. No.:** **29/312,786**

(22) **Filed:** **Nov. 12, 2008**

DESCRIPTION

(51) **LOC (9) Cl.** **23-04**

(52) **U.S. Cl.** **D23/372**

(58) **Field of Classification Search** D23/372,
D23/371; 126/299 R, 299 D

See application file for complete search history.

FIG. 1 is a front view of a wall-mounted ventilation hood
showing my ornamental design in which the glass is in a down
position;

FIG. 2 is another front view thereof with the glass in an up
position;

FIG. 3 is a left side view thereof with the glass in the down
position; and,

FIG. 4 is another left side view thereof with the glass in the up
position.

The top, bottom and rear views of the hood are not shown and
form no part of the claimed design.

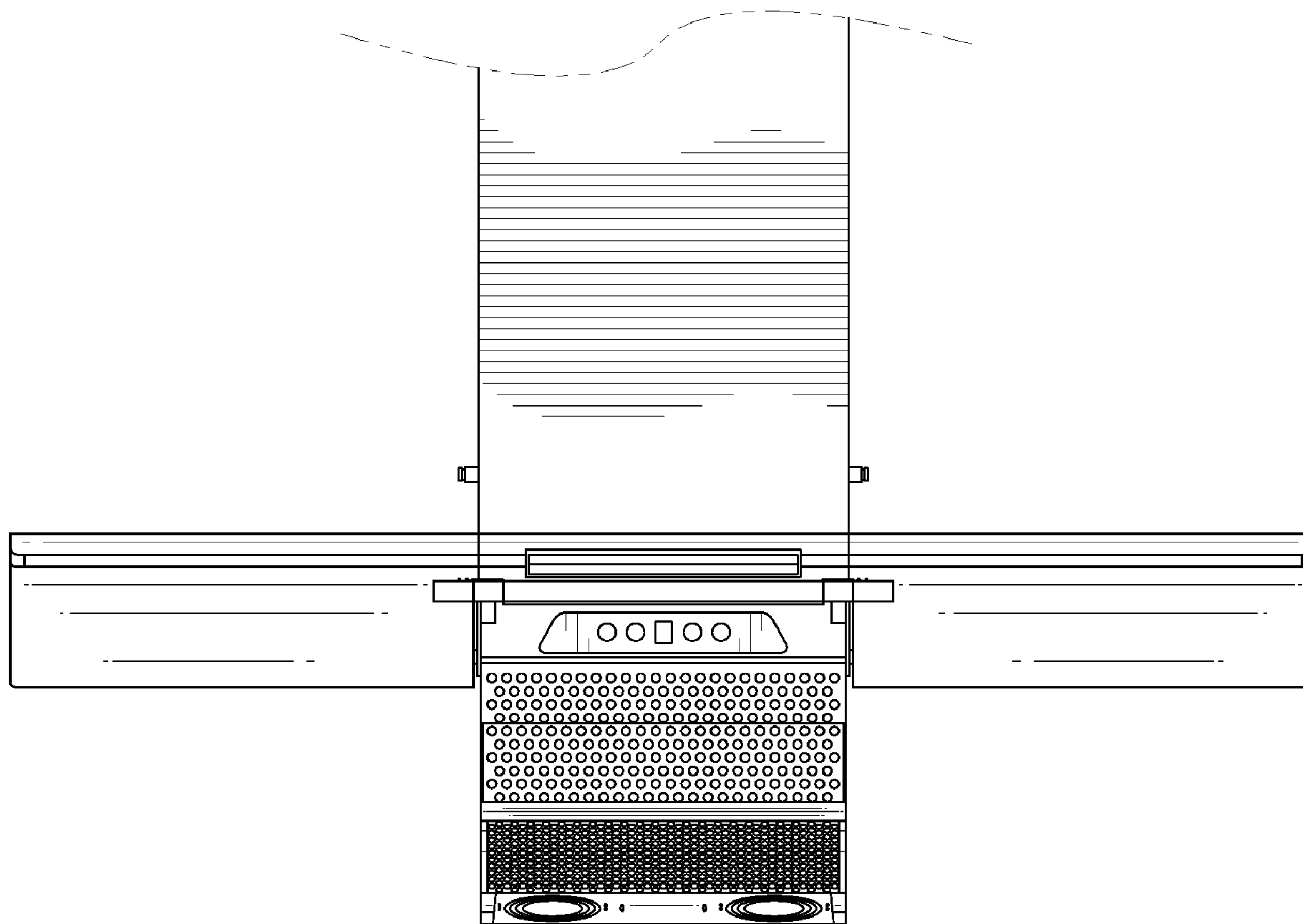
(56) **References Cited**

U.S. PATENT DOCUMENTS

D489,805 S *	5/2004	Vetter	D23/371
D535,009 S *	1/2007	Sinur et al.	D23/372
D557,397 S *	12/2007	Sinur et al.	D23/372
D576,264 S *	9/2008	Grobleben	D23/372

* cited by examiner

1 Claim, 3 Drawing Sheets



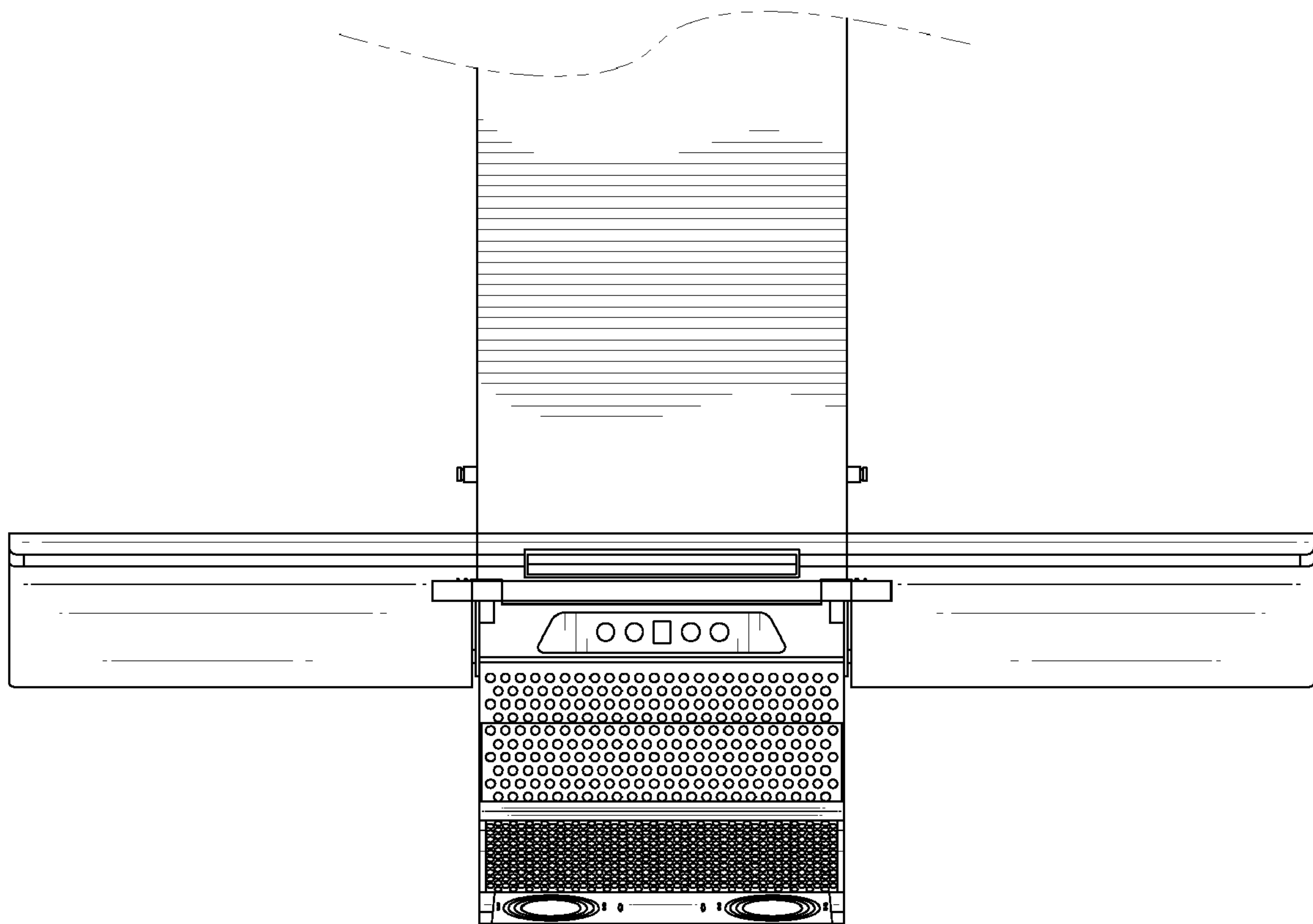


Figure 1

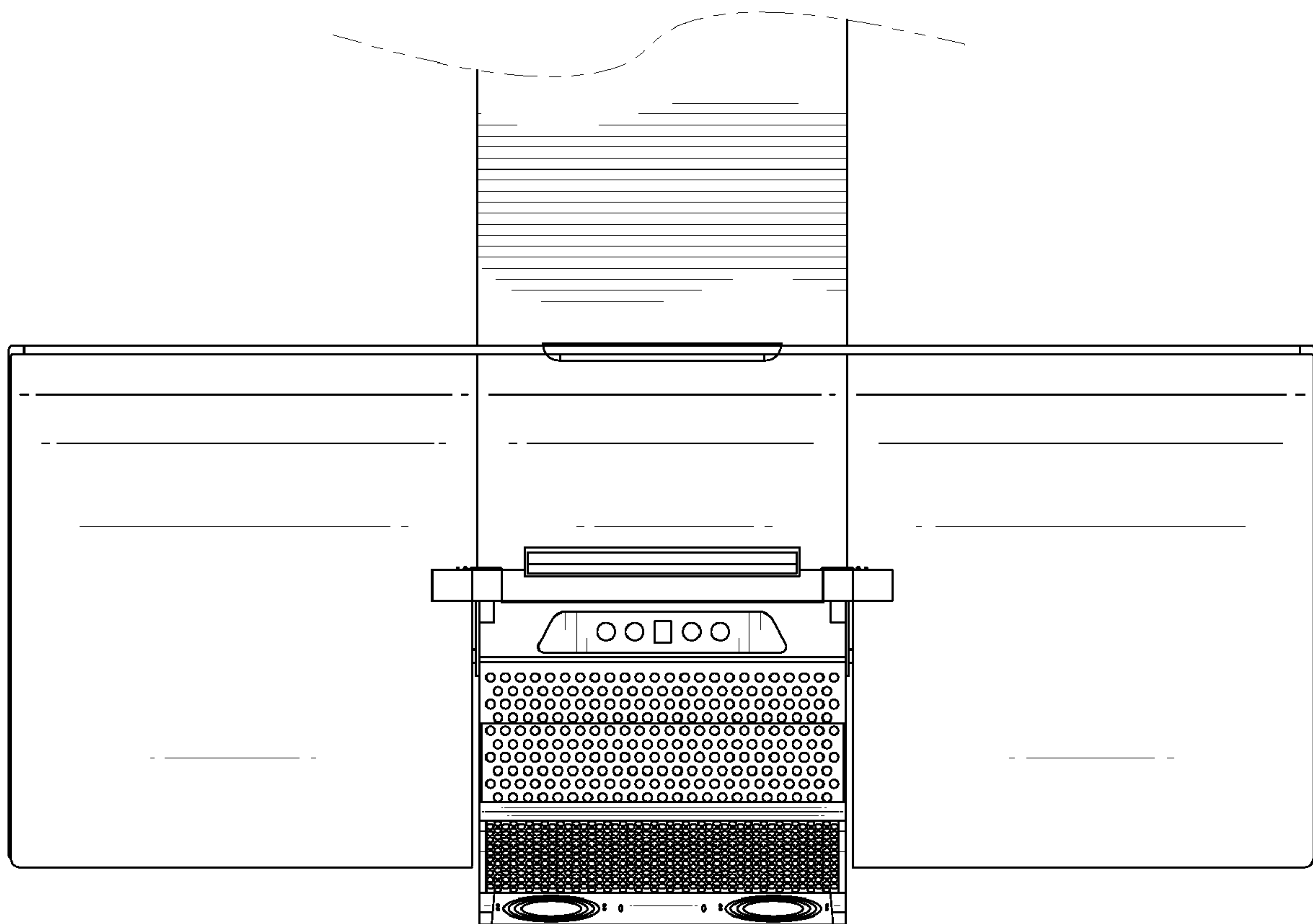


Figure 2

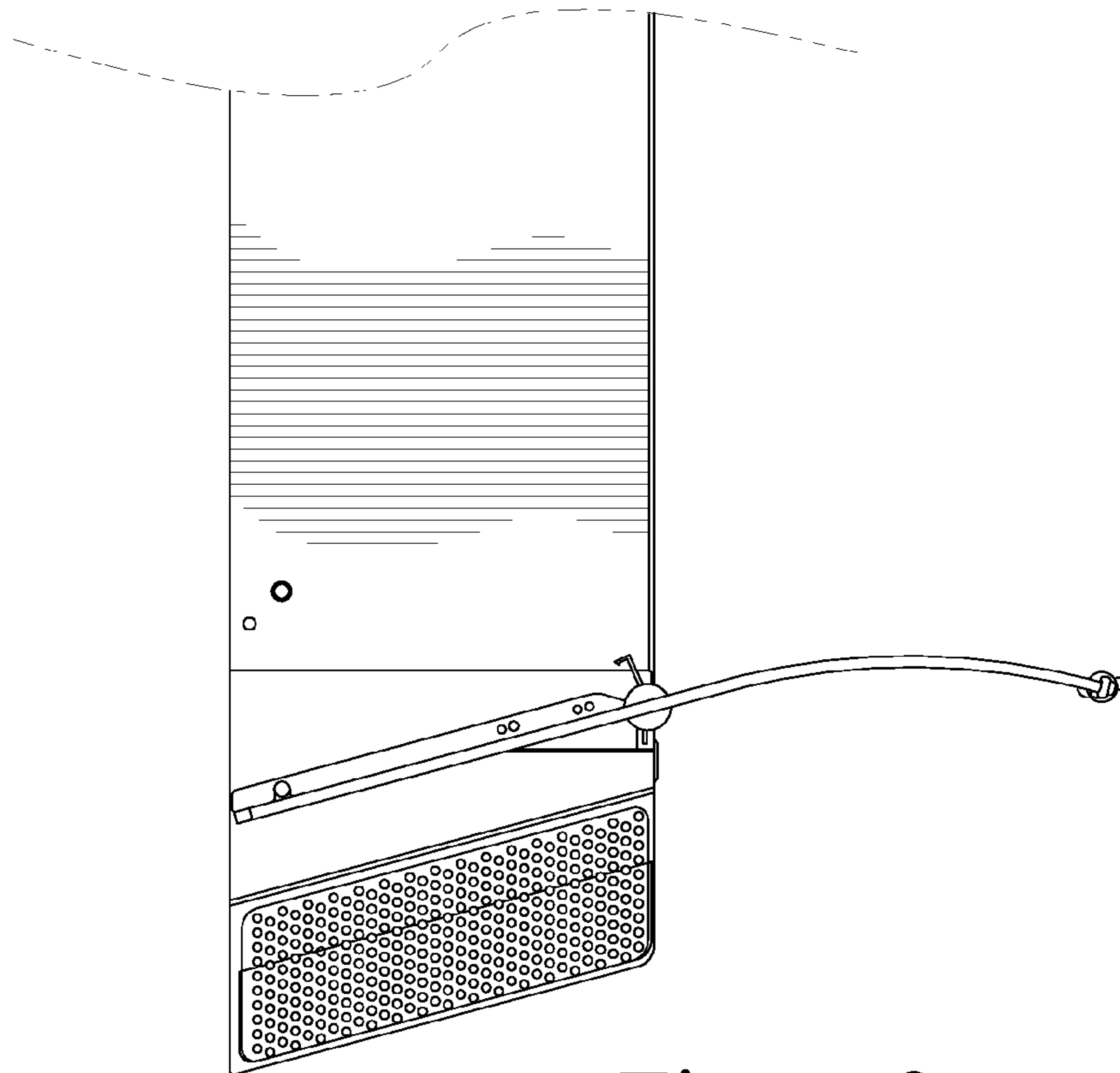


Figure 3

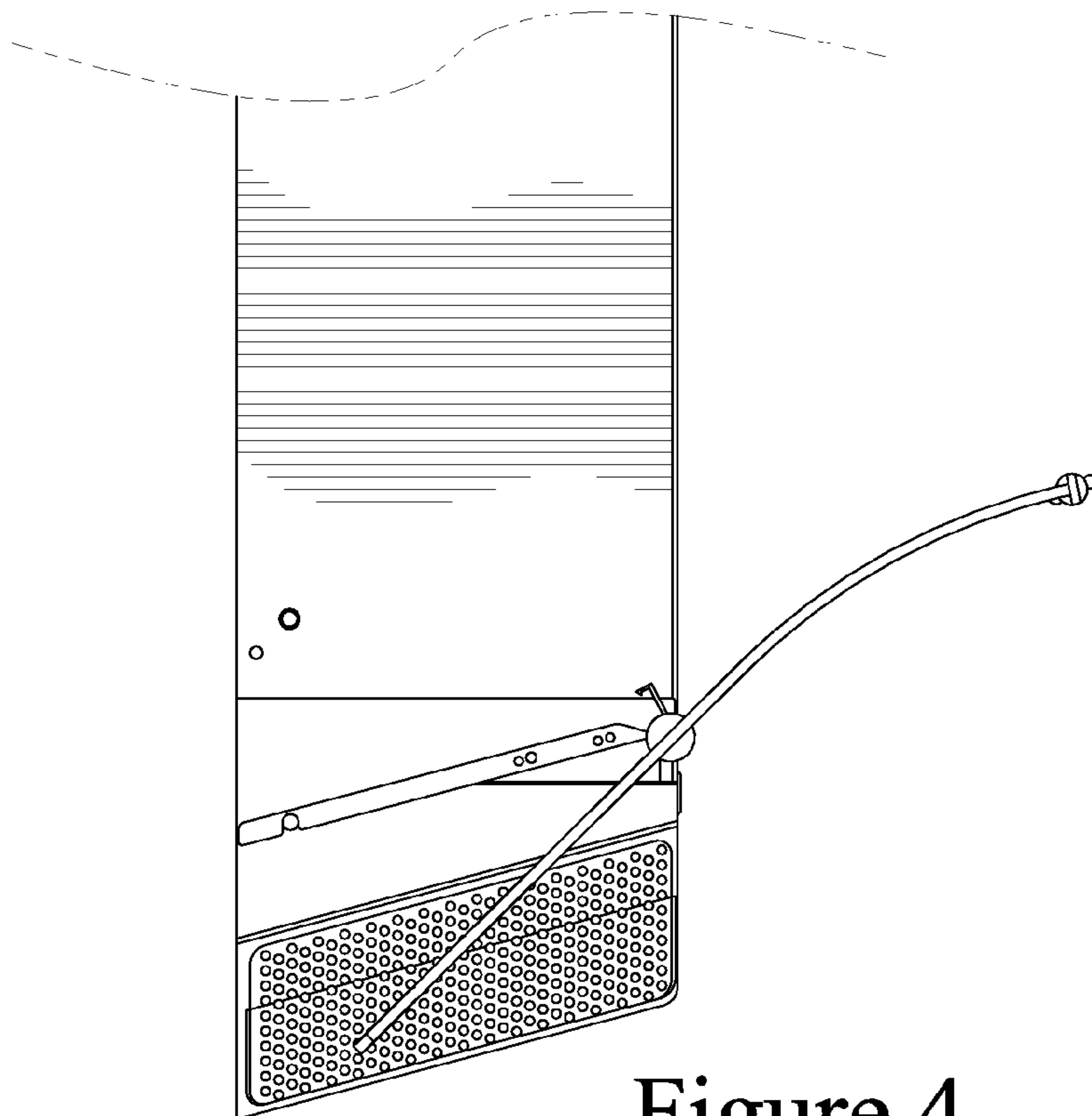


Figure 4