



US00D610664S

(12) **United States Design Patent**
Thomas

(10) **Patent No.:** **US D610,664 S**
(45) **Date of Patent:** **** Feb. 23, 2010**

(54) **FIREPLACE**

(75) Inventor: **Stephane Thomas**, Annandale (AU)

(73) Assignee: **Esmart Group Pty Limited**,
Warriewood (AU)

(**) Term: **14 Years**

(21) Appl. No.: **29/331,631**

(22) Filed: **Jan. 29, 2009**

(30) **Foreign Application Priority Data**

Jul. 29, 2008 (EM) 000978655

(51) **LOC (9) Cl.** **23-03**

(52) **U.S. Cl.** **D23/343**

(58) **Field of Classification Search** D23/317,
D23/314, 332, 333, 334, 335, 337, 342, 351,
D23/355, 378, 370, 381, 364, 336, 341, 343,
D23/344, 348; 416/244 R, 247 R, 53.1-53.3;
392/365, 367

See application file for complete search history.

(56) **References Cited**

U.S. PATENT DOCUMENTS

D202,957 S * 11/1965 Tripp D23/348

D218,901 S * 10/1970 Punt D23/343

D219,816 S * 2/1971 Prescott D23/343

D220,072 S * 3/1971 Hoff D7/332

D220,073 S * 3/1971 Ehrlichmann D7/332

D265,121 S * 6/1982 Bergin D23/348

D504,941 S * 5/2005 Blateri D23/335

* cited by examiner

Primary Examiner—T. Chase Nelson

Assistant Examiner—Ania K Dworzecka

(74) *Attorney, Agent, or Firm*—Millen, White, Zelano &
Branigan, P.C.

(57) **CLAIM**

The ornamental design for a fireplace, as shown and described.

DESCRIPTION

FIG. 1 is a front perspective view of the fireplace;

FIG. 2 is a front view of the fireplace;

FIG. 3 is a side view of a first side of the fireplace;

FIG. 4 is a side view of a second side of the fireplace;

FIG. 5 is a top view of the fireplace;

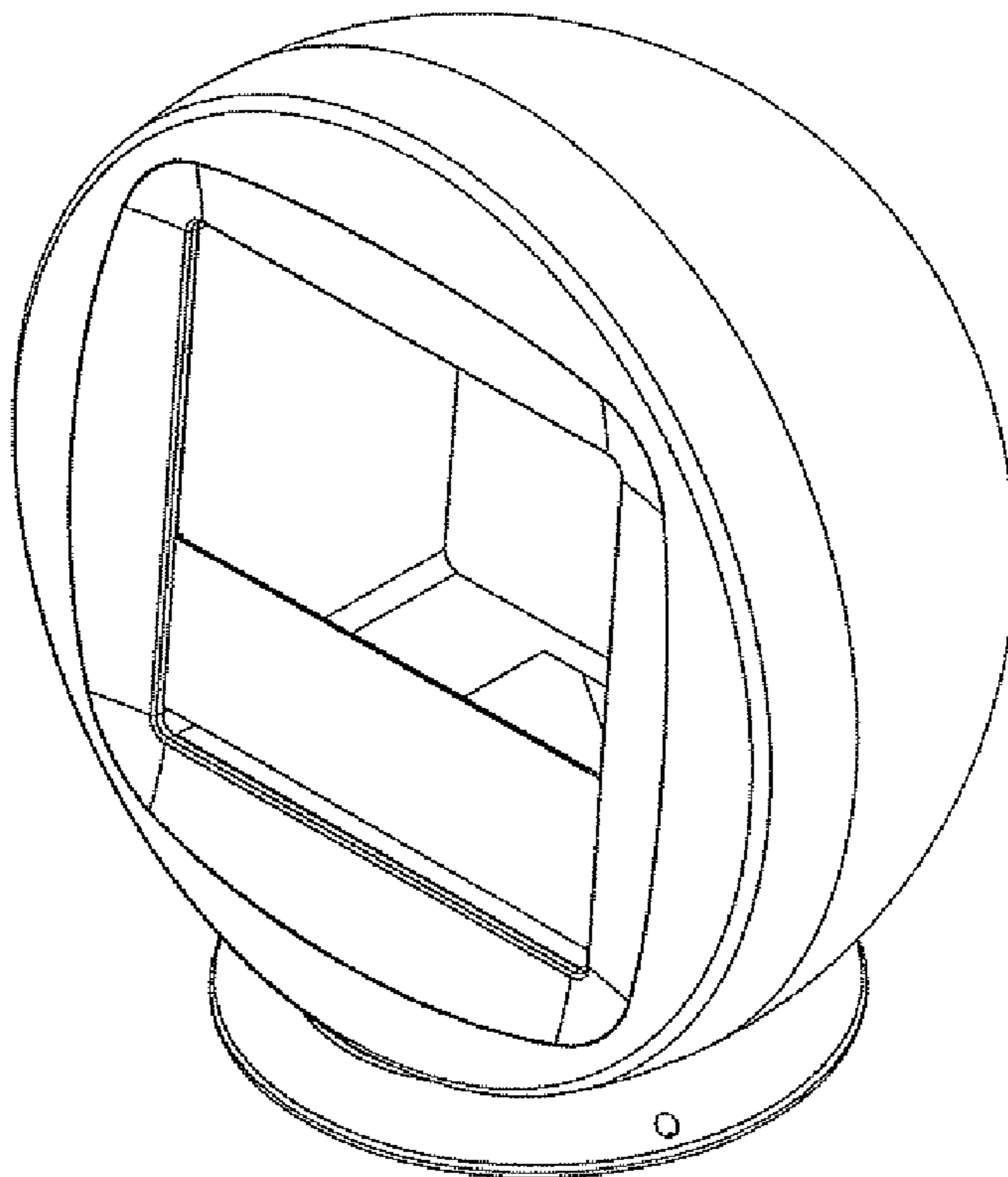
FIG. 6 is a rear view of the fireplace;

FIG. 7 is a bottom view of the fireplace; and,

FIG. 8 is a rear perspective view of the fireplace.

In the drawings, the broken lines depict environmental subject matter only and form no part of the claimed design.

1 Claim, 8 Drawing Sheets



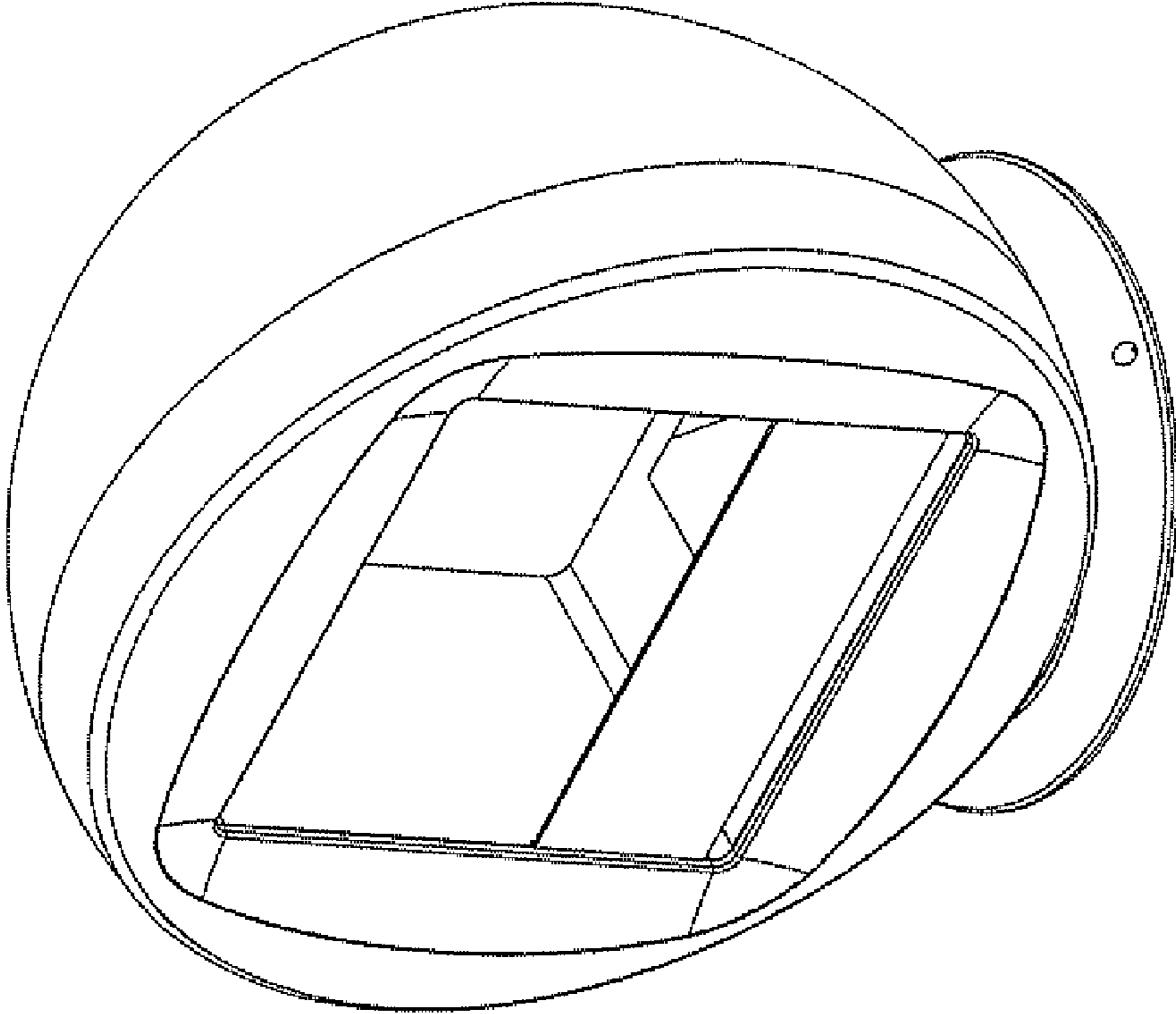


FIG. 1

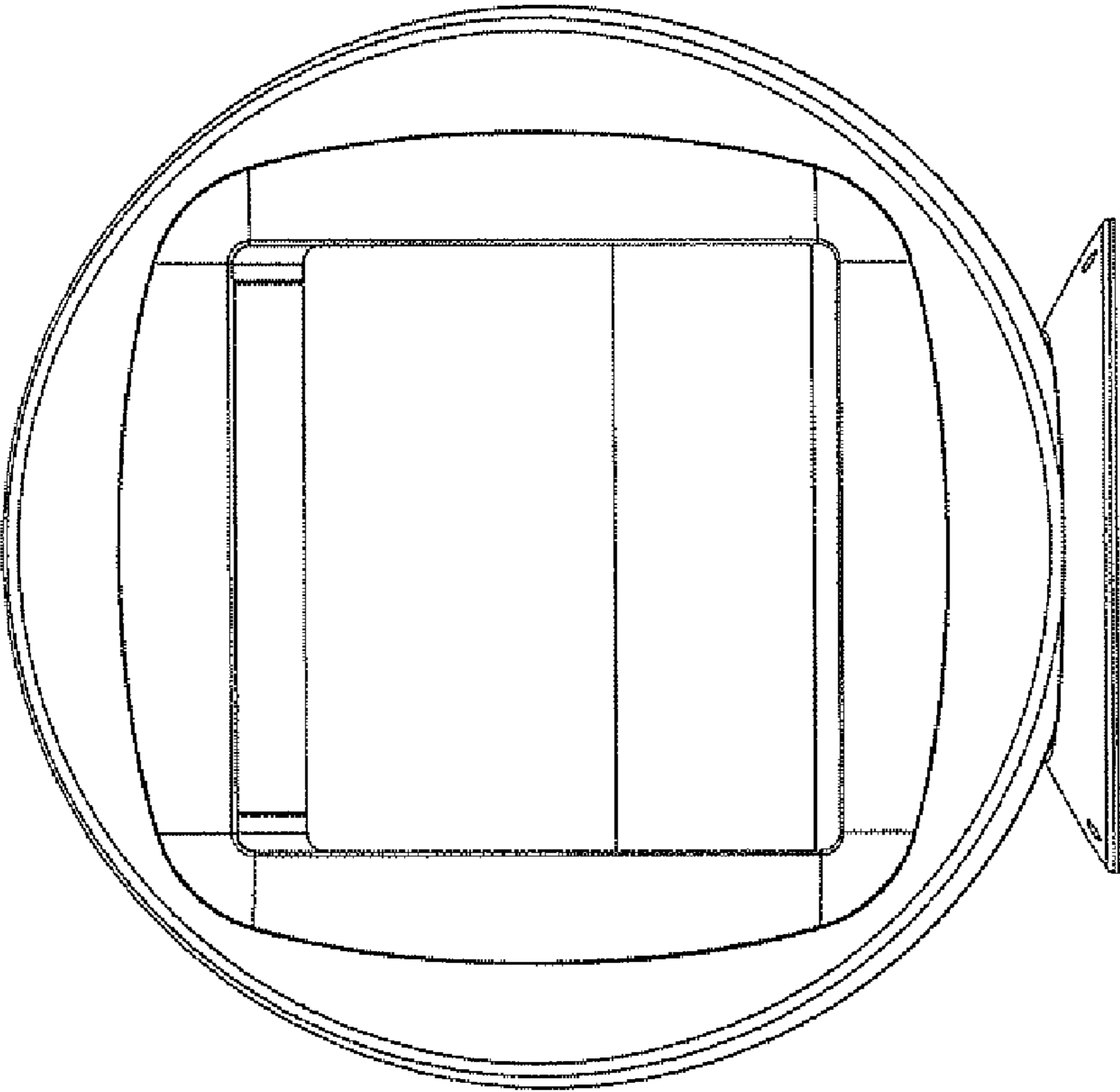


FIG. 2

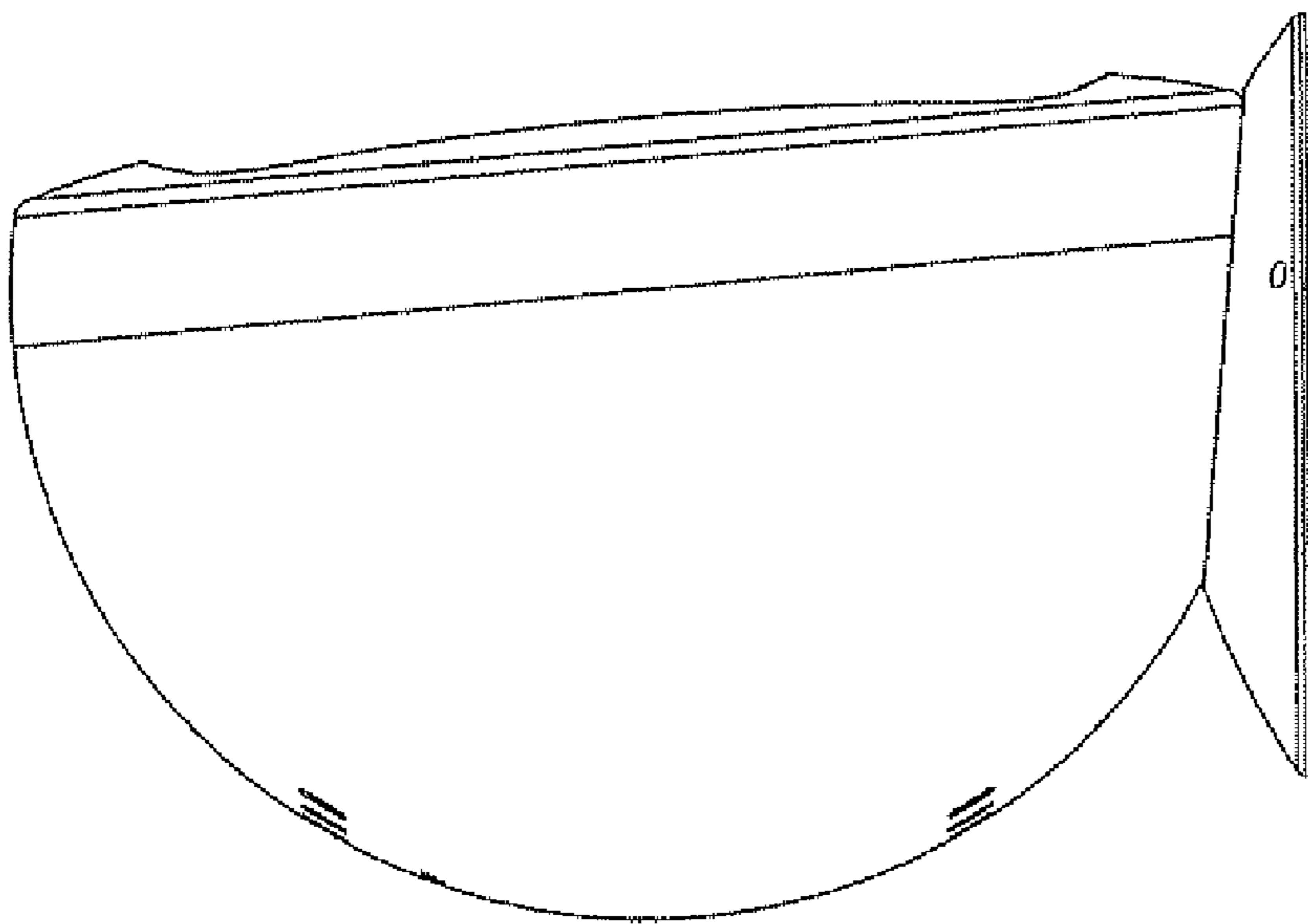


FIG. 3

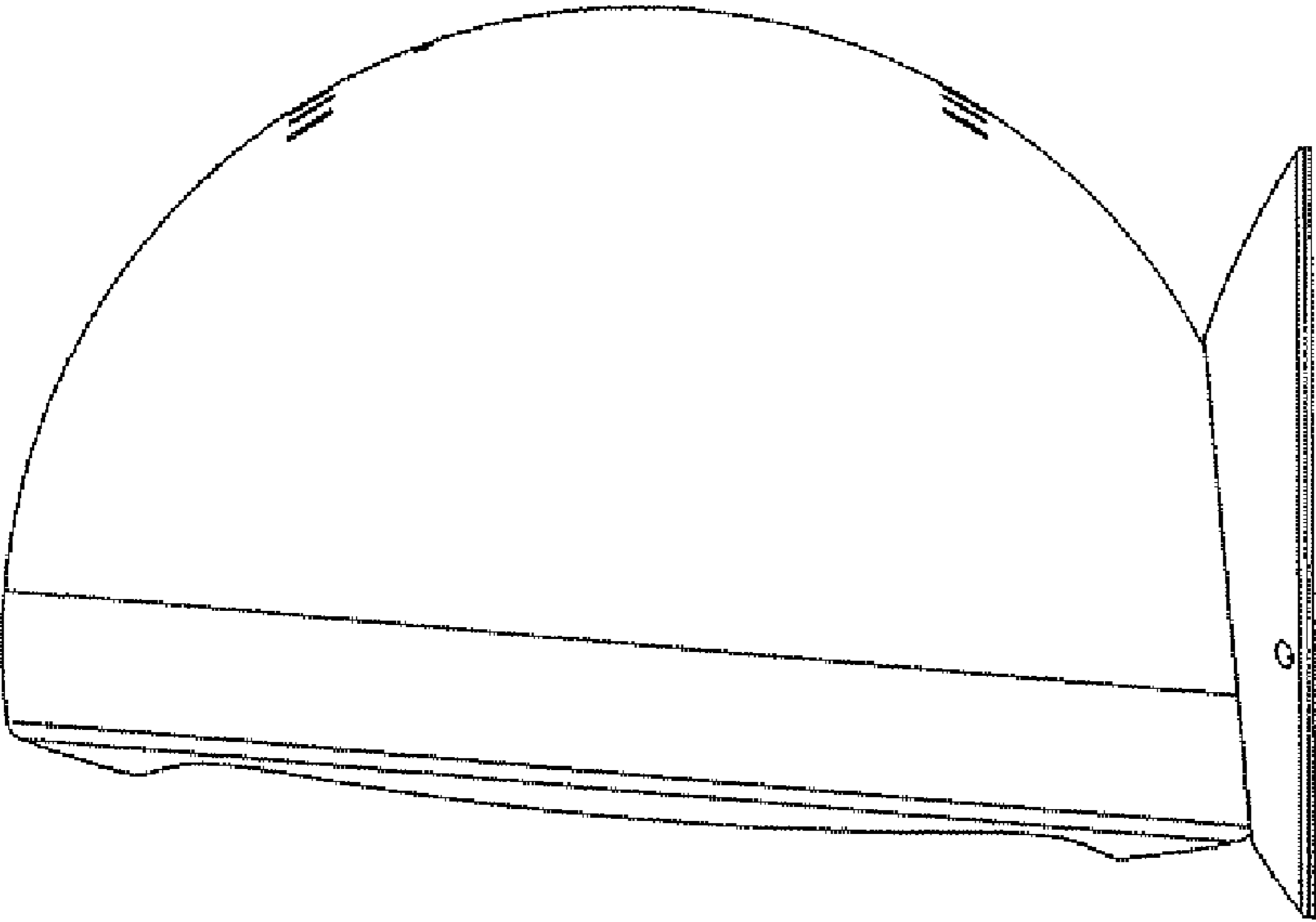


FIG. 4

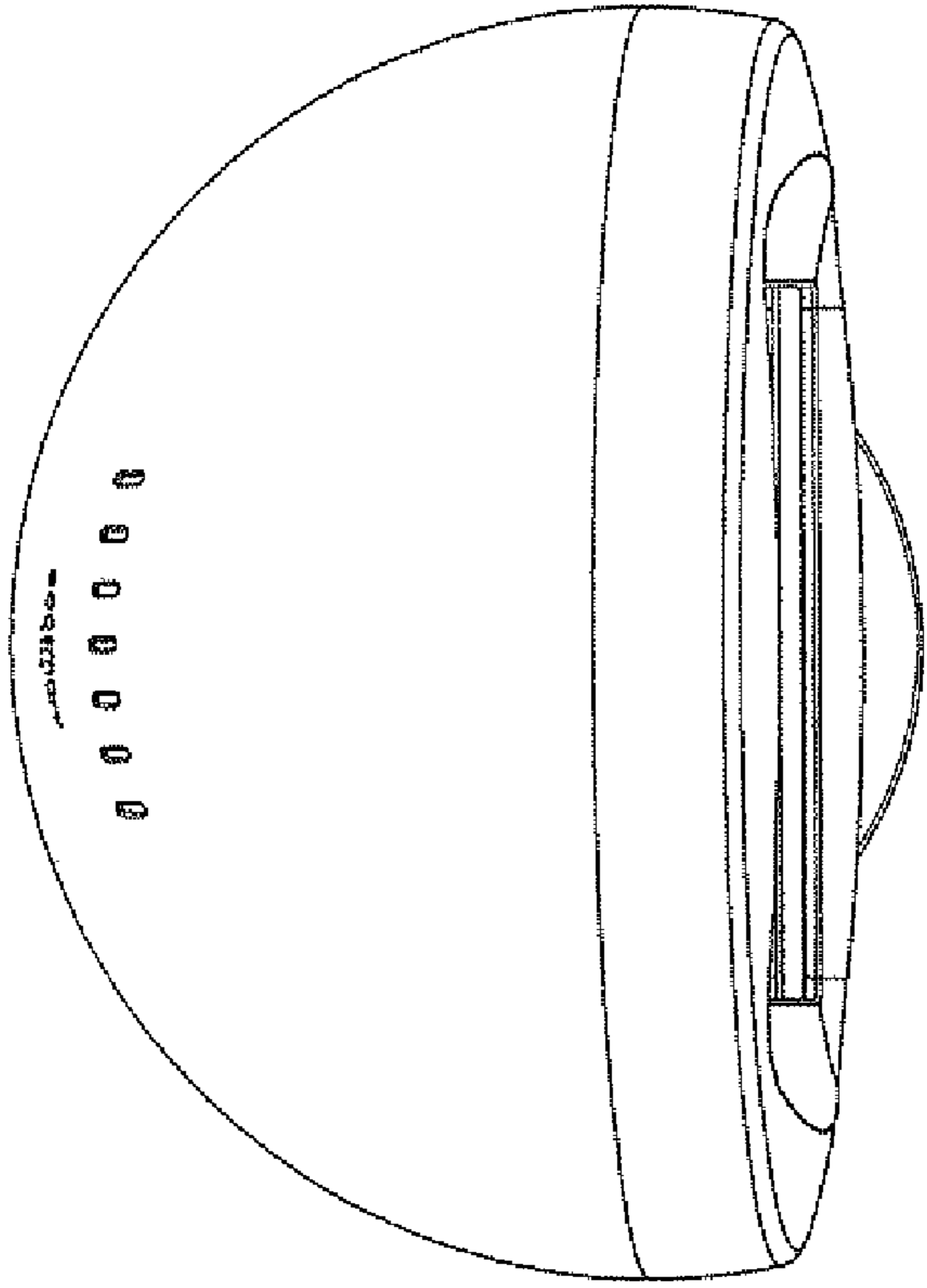


FIG. 5

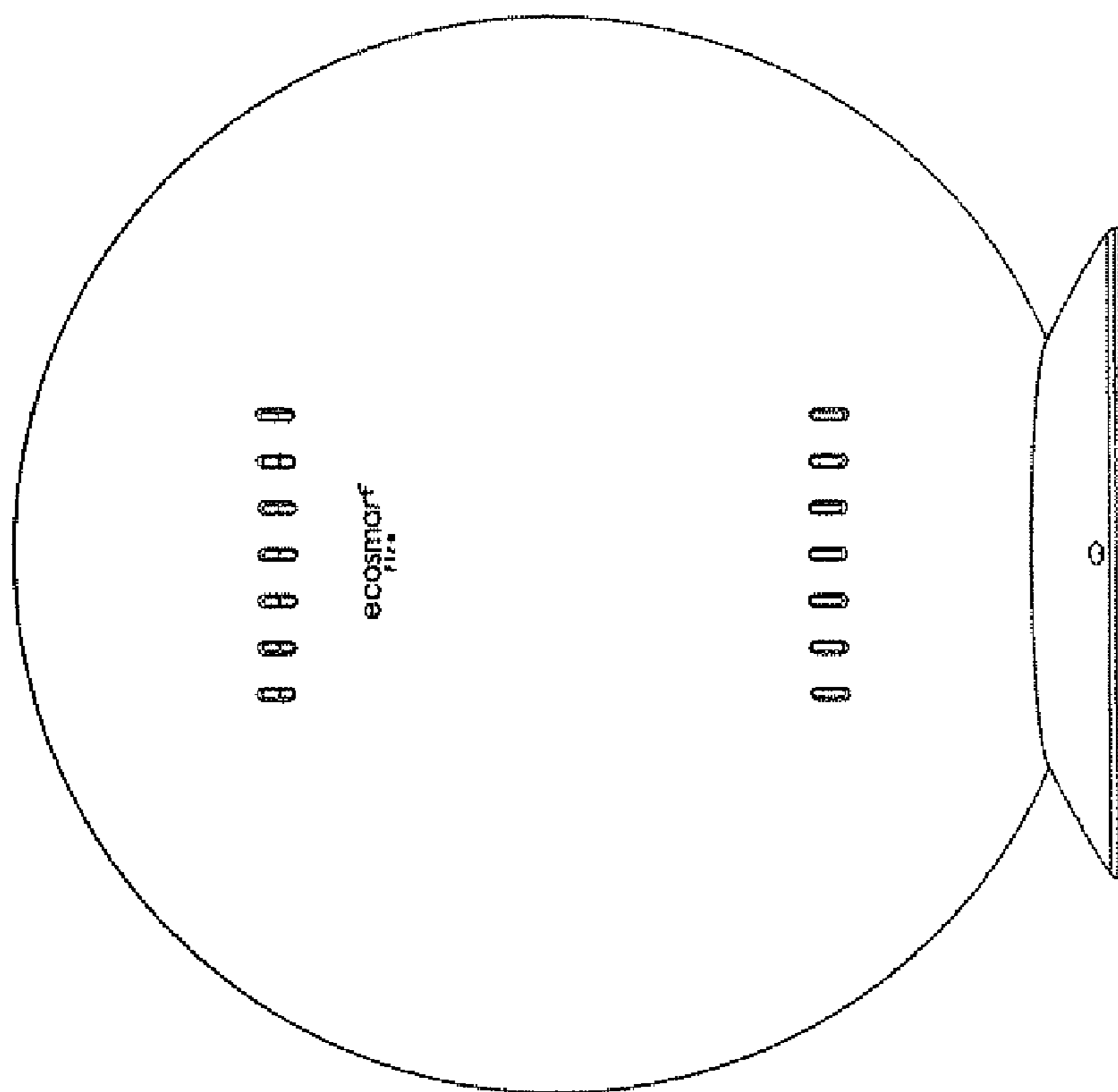


FIG. 6

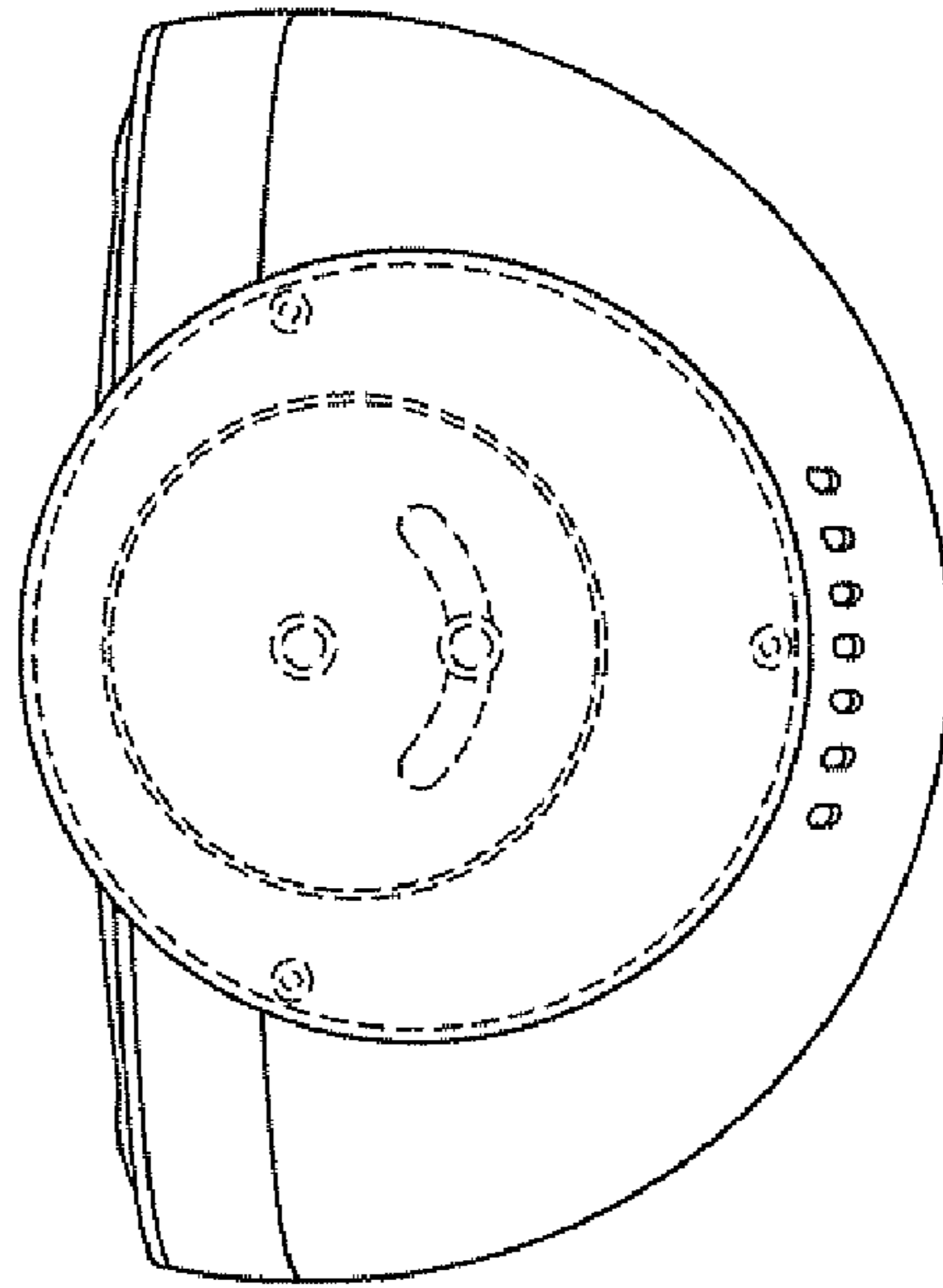


FIG.7

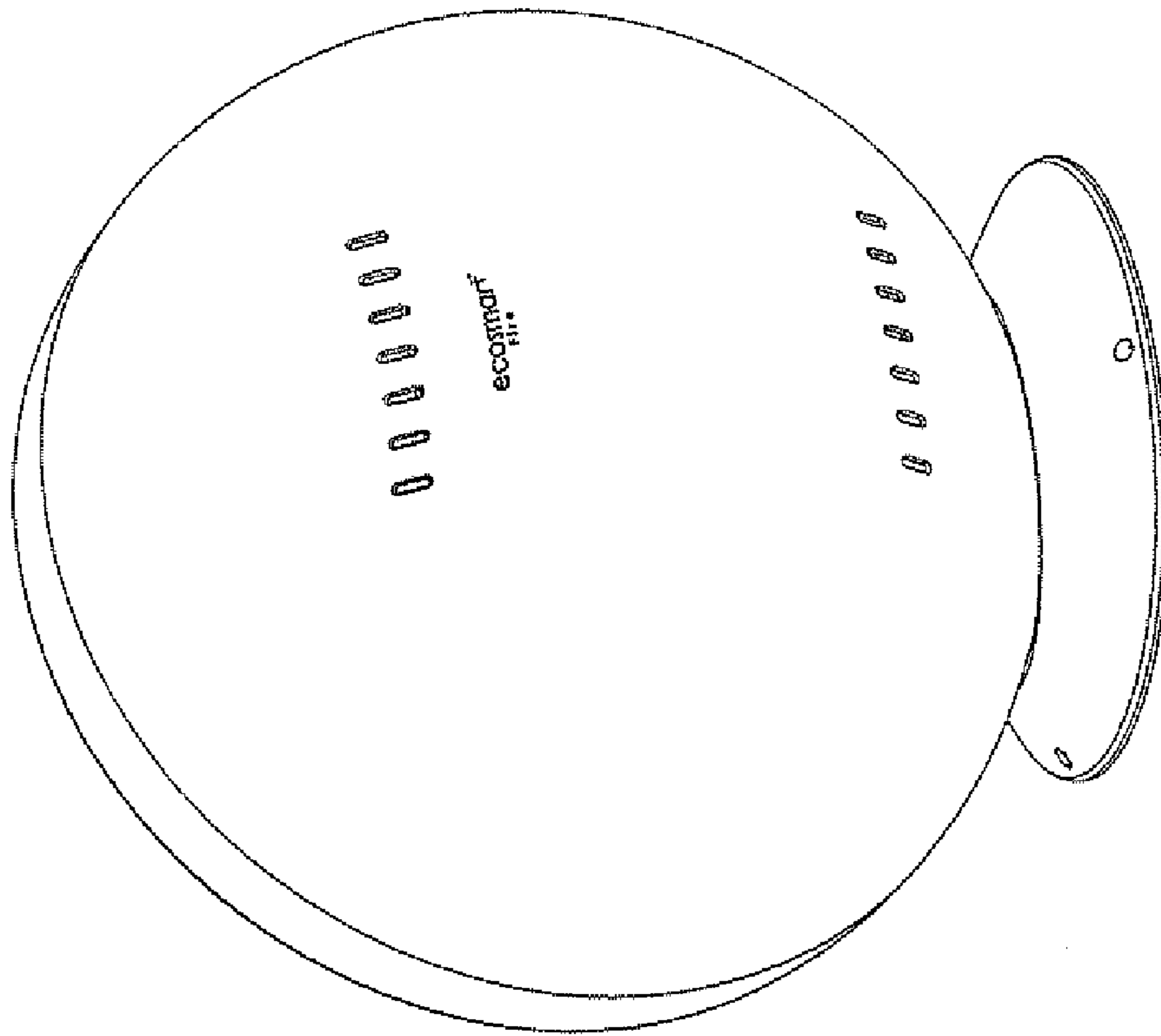


FIG. 8