



US00D610662S

(12) **United States Design Patent**
Tani et al.

(10) **Patent No.:** **US D610,662 S**
(45) **Date of Patent:** **** Feb. 23, 2010**

(54) **WATER CLOSET**

(75) Inventors: **Minoru Tani**, Kitakyusyu (JP); **Rie Yokoyama**, Kitakyusyu (JP)

(73) Assignee: **ToTo Ltd.**, Kitakyusyu-Shi (JP)

(**) Term: **14 Years**

(21) Appl. No.: **29/327,762**

(22) Filed: **Nov. 12, 2008**

(30) **Foreign Application Priority Data**

May 13, 2008 (JP) 2008-011786

May 13, 2008 (JP) 2008-011787

May 13, 2008 (JP) 2008-011788

May 13, 2008 (JP) 2008-011789

(51) **LOC (9) Cl.** **23-02**

(52) **U.S. Cl.** **D23/309**

(58) **Field of Classification Search** D23/273–274,
D23/295–301, 309; 4/663–664, 300, 329,
4/353, 420, 443, 449, 902

See application file for complete search history.

(56) **References Cited**

U.S. PATENT DOCUMENTS

D331,621 S * 12/1992 Tapolcai D23/274

(Continued)

FOREIGN PATENT DOCUMENTS

JP 854591 8/1992

OTHER PUBLICATIONS

Vol. 442, p. 22, magazine entitled “Arbitare” published on Sep. 21, 2004, Editrice Abitare Segesta S.p.a.

Primary Examiner—Robert A Delehanty

(74) *Attorney, Agent, or Firm*—Birch, Stewart, Kolasch & Birch, LLP

(57) **CLAIM**

The ornamental design for a water closet, as shown and described.

DESCRIPTION

FIG. 1 is a perspective view of the top, front and right side of a water closet showing our new design;

FIG. 2 is a front view thereof;

FIG. 3 is a rear view thereof;

FIG. 4 is a left side view thereof;

FIG. 5 is a right side view thereof;

FIG. 6 is a top plan view thereof;

FIG. 7 is a bottom view thereof;

FIG. 8 is a perspective view of the top, front and right side of a water closet showing our new design of second embodiment;

FIG. 9 is a front view thereof;

FIG. 10 is a rear view thereof;

FIG. 11 is a left side view thereof;

FIG. 12 is a right side view thereof;

FIG. 13 is a top plan view thereof;

FIG. 14 is a bottom view thereof;

FIG. 15 is a perspective view of the top, front and right side of a water closet showing our new design of third embodiment;

FIG. 16 is a front view thereof;

FIG. 17 is a rear view thereof;

FIG. 18 is a left side view thereof;

FIG. 19 is a right side view thereof;

FIG. 20 is a top plan view thereof;

FIG. 21 is a bottom view thereof;

FIG. 22 is a perspective view of the top, front and right side of a water closet showing our new design of fourth embodiment;

FIG. 23 is a front view thereof;

FIG. 24 is a rear view thereof;

FIG. 25 is a left side view thereof;

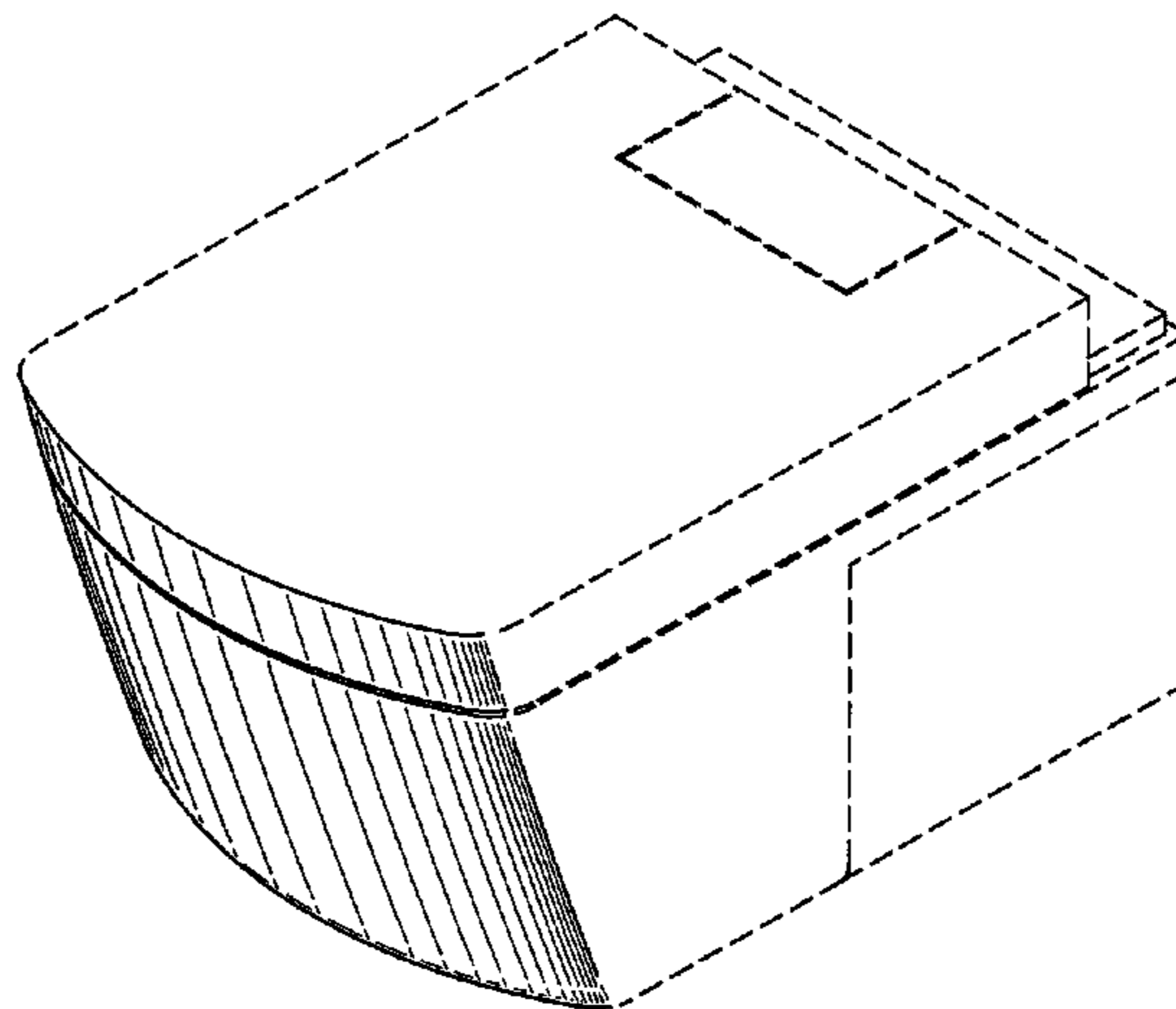
FIG. 26 is a right side view thereof;

FIG. 27 is a top plan view thereof; and,

FIG. 28 is a bottom view thereof.

The portion of the article in broken lines are shown for illustrative purposes only and from no part of the claimed design.

1 Claim, 16 Drawing Sheets



US D610,662 S

Page 2

U.S. PATENT DOCUMENTS

D581,034 S * 11/2008 Cho D23/295

D559,961 S * 1/2008 Maruhashi D23/295 * cited by examiner

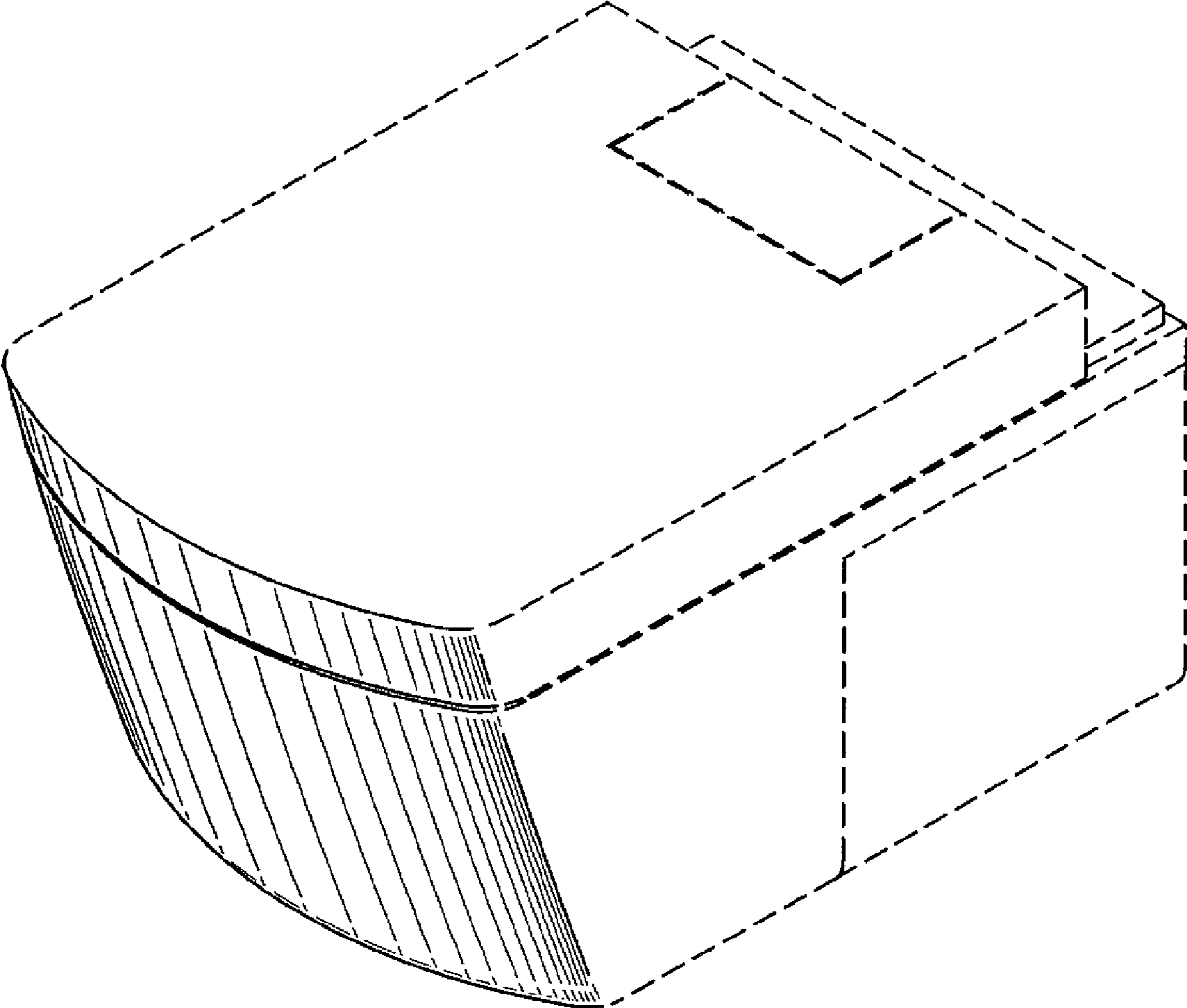


FIG. 1

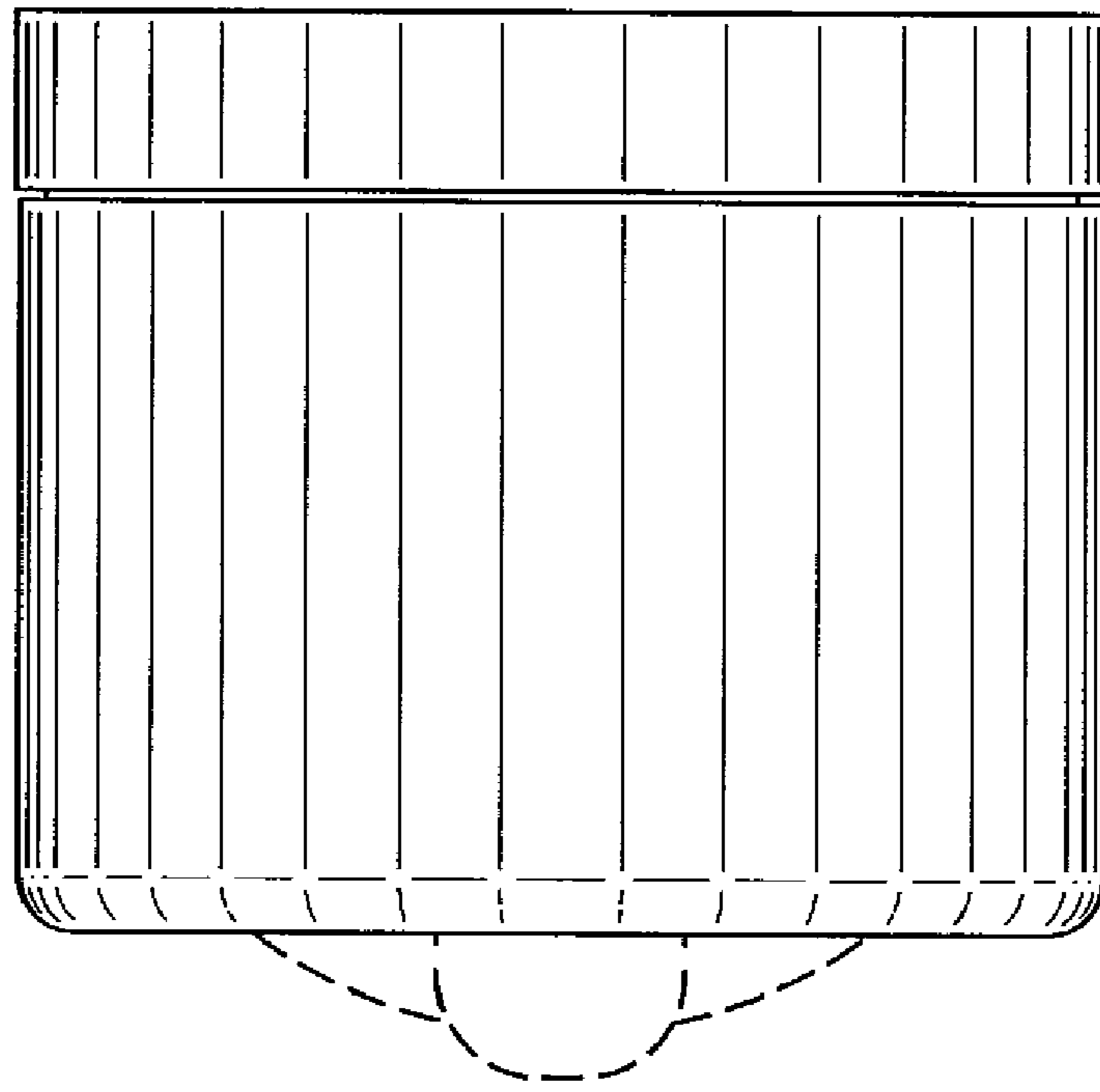


FIG. 2

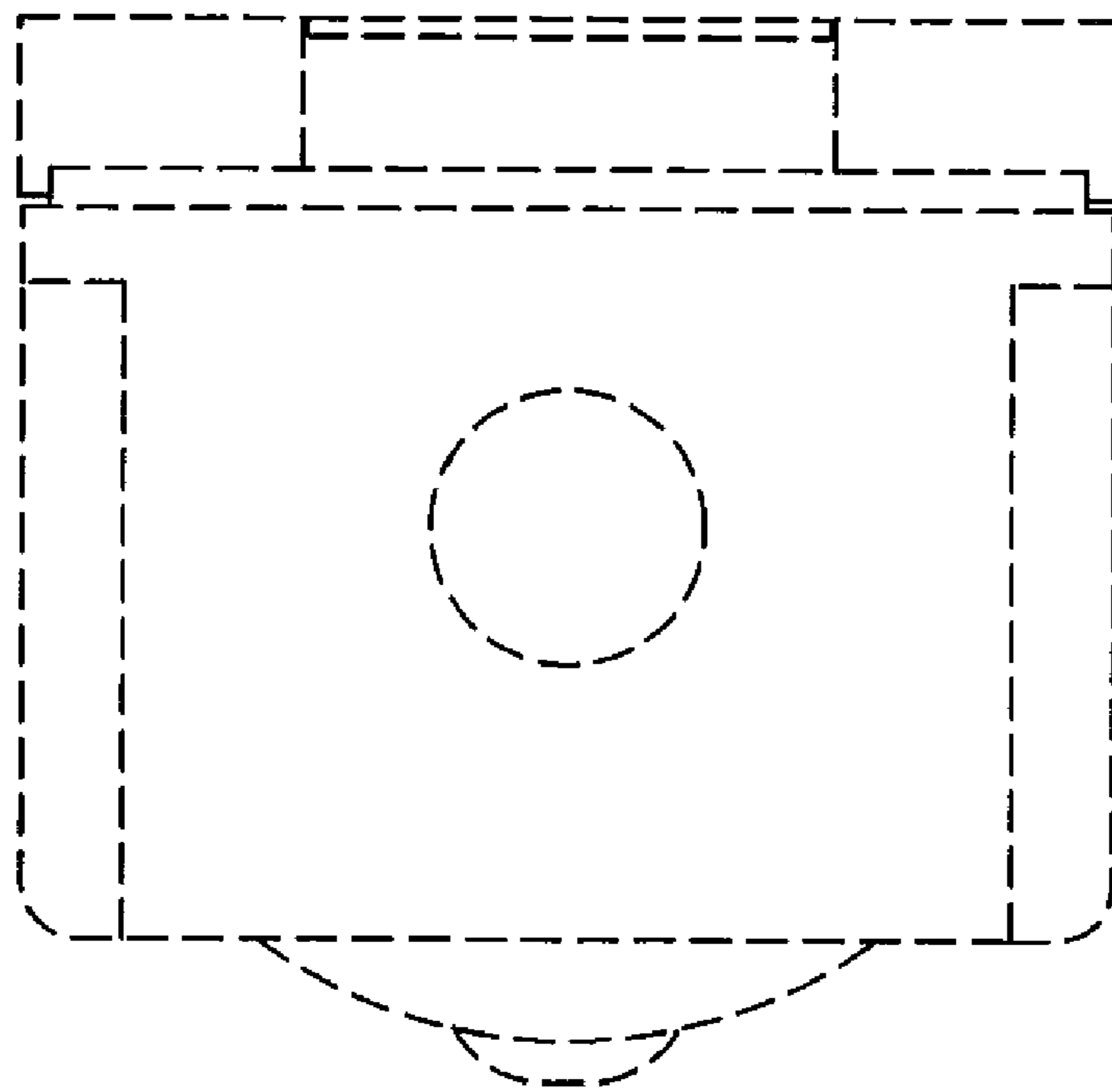


FIG. 3

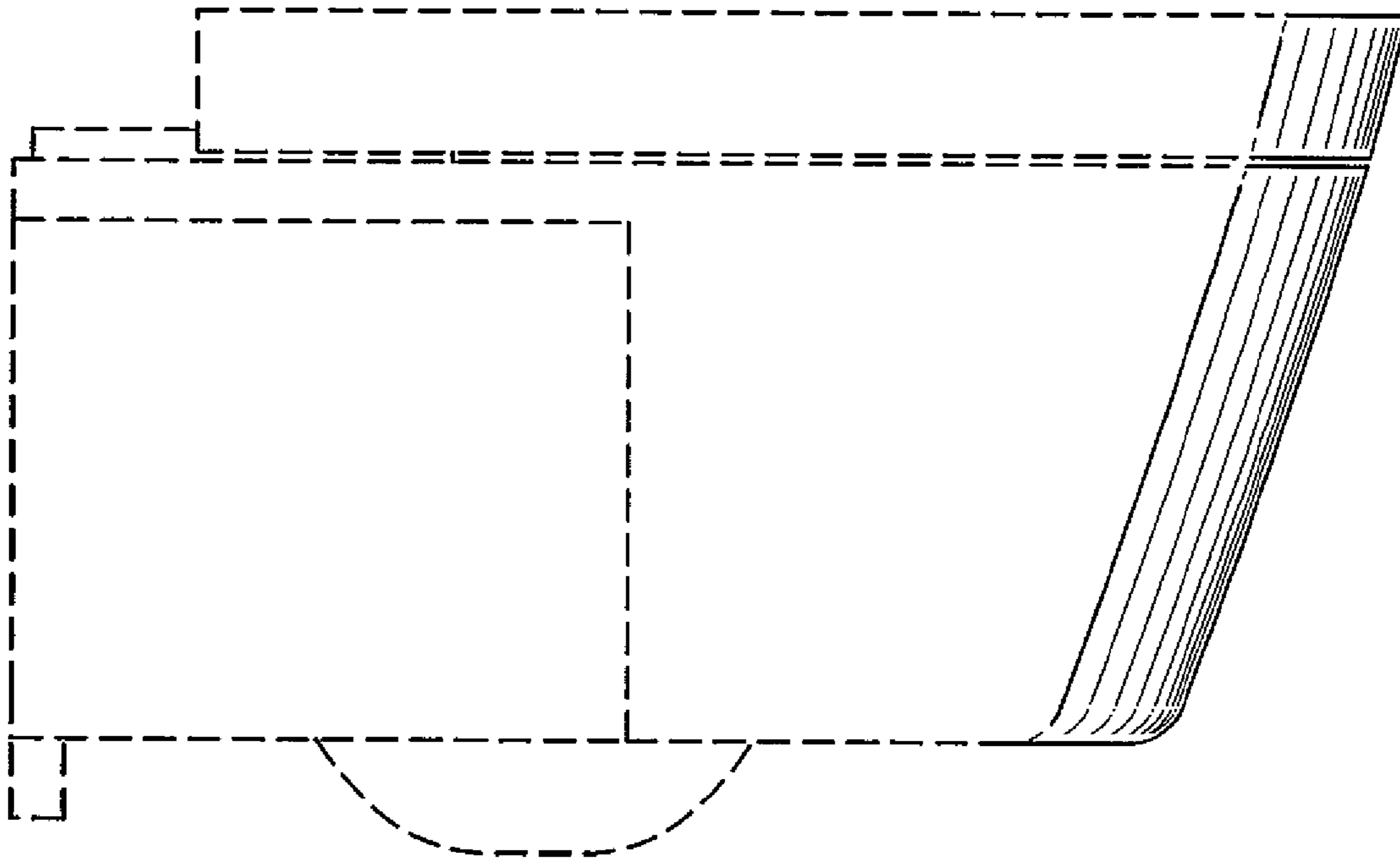


FIG. 4

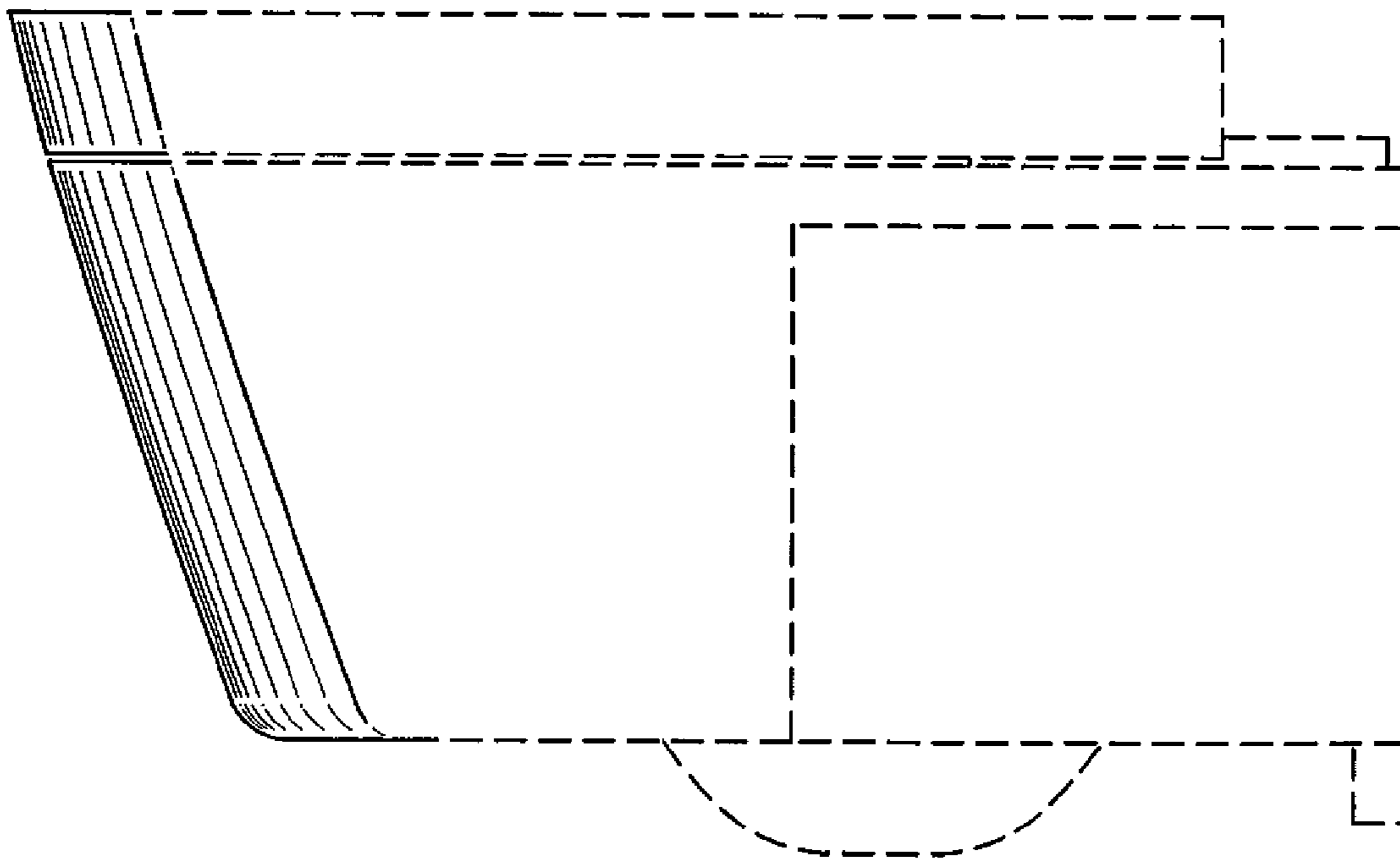


FIG. 5

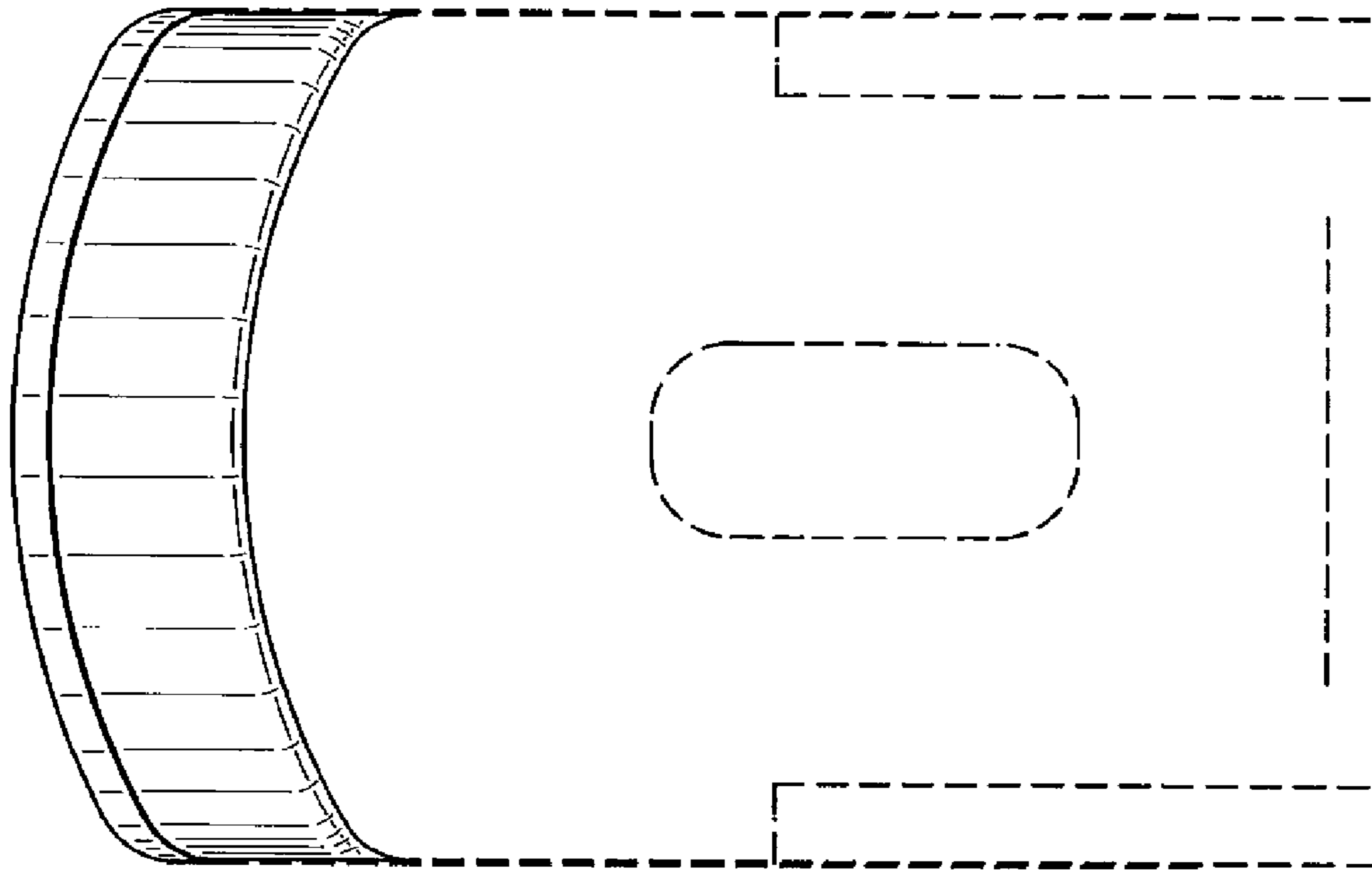


FIG. 7

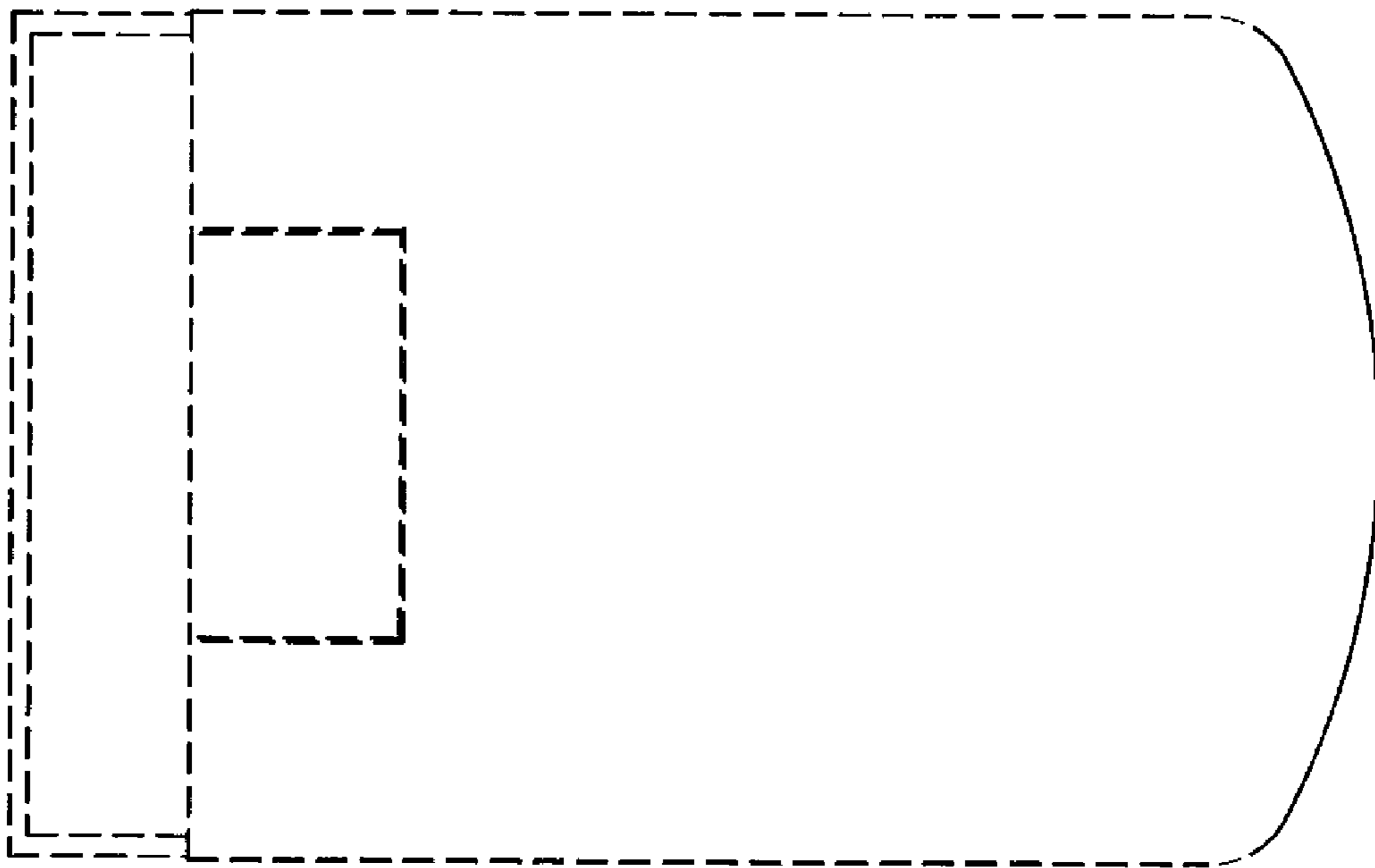


FIG. 6

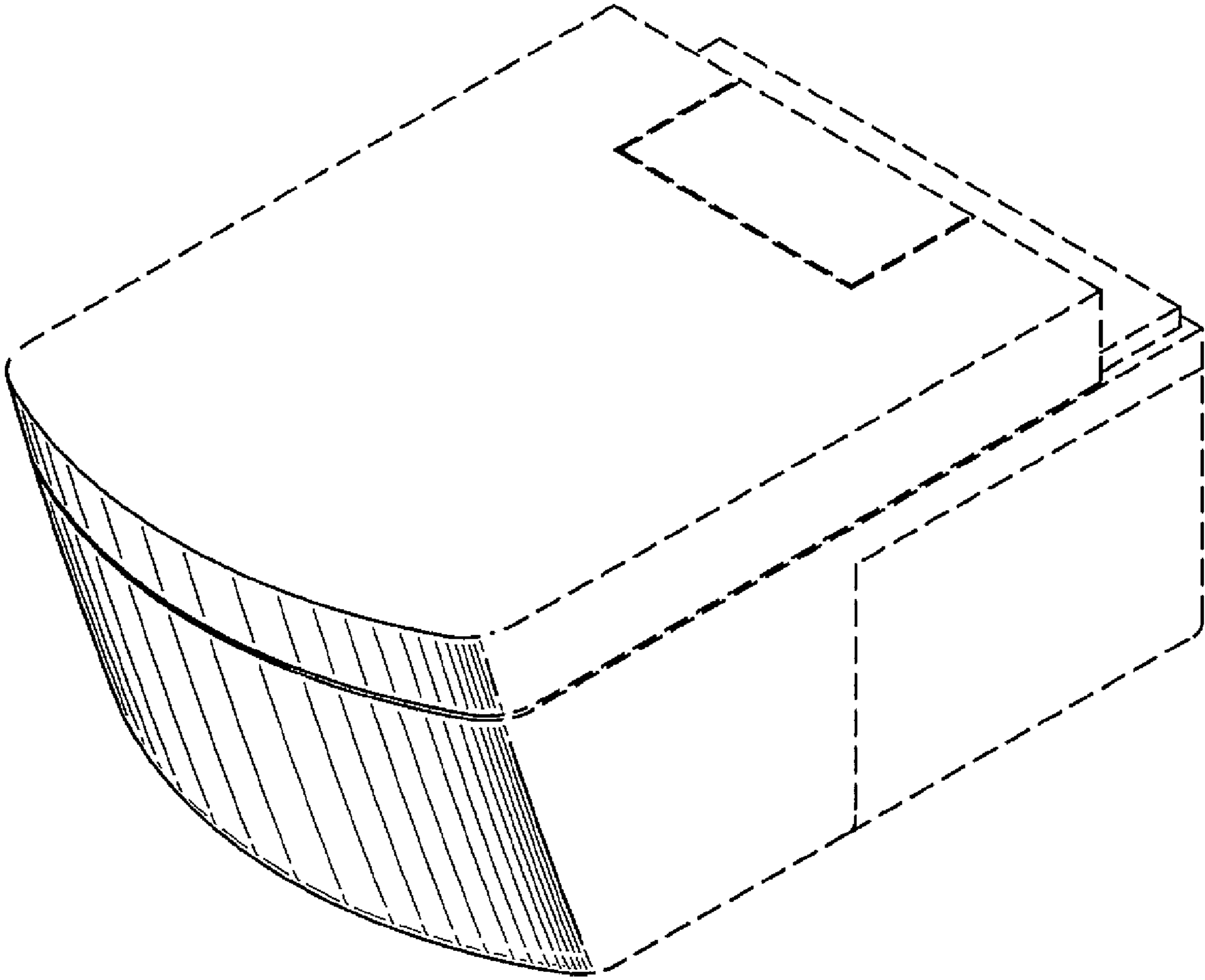


FIG. 8

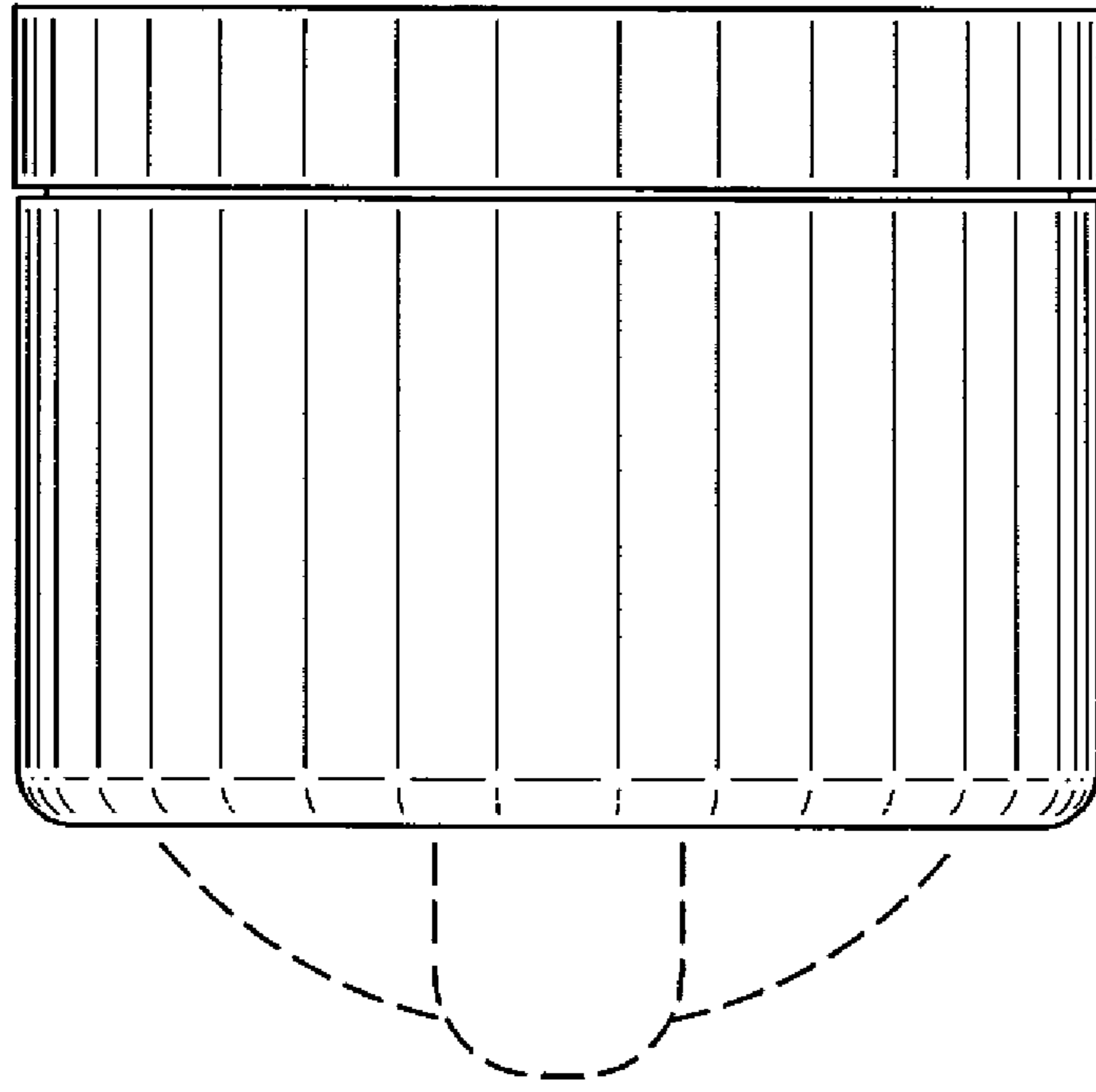


FIG. 9

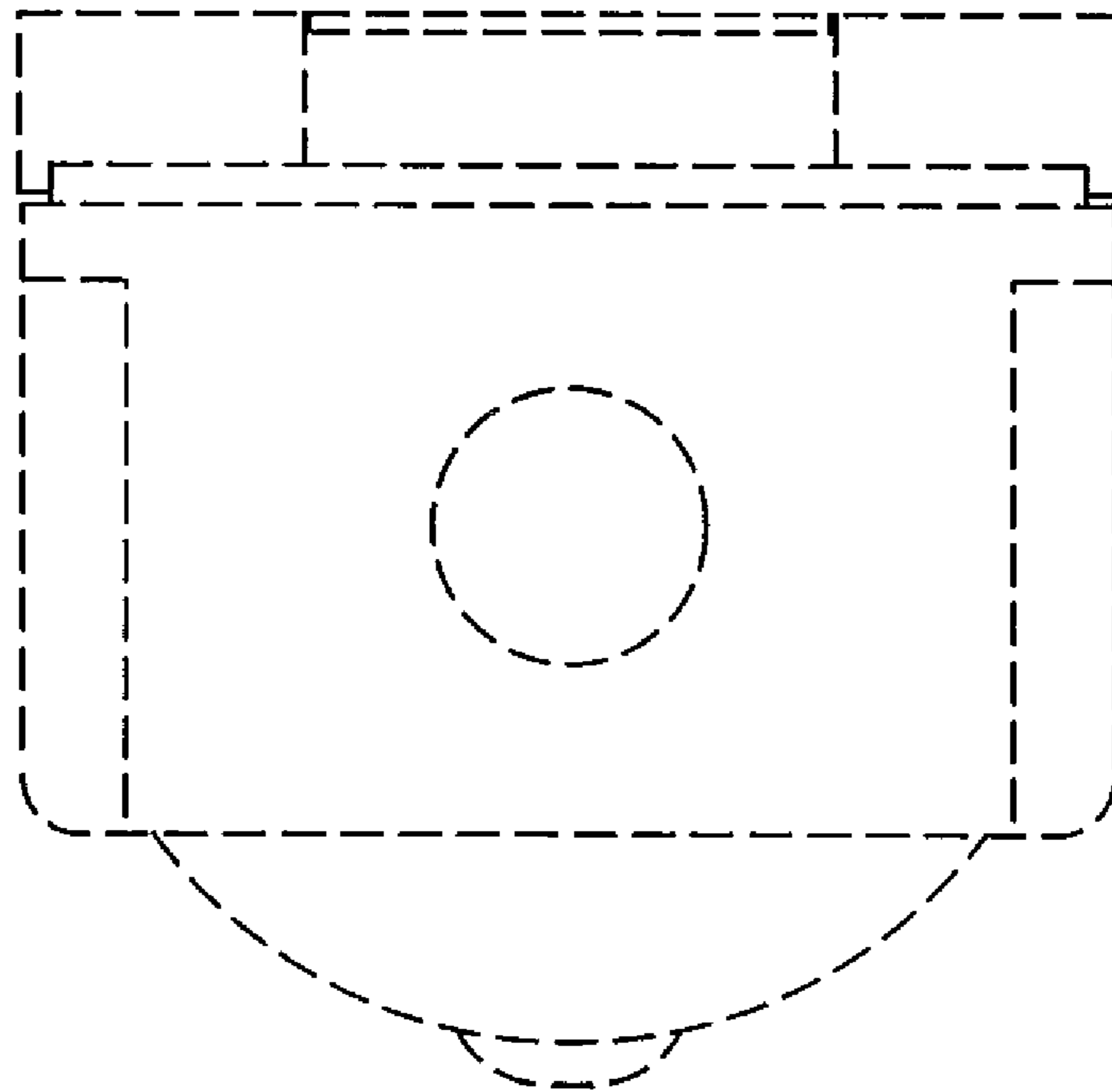


FIG. 10

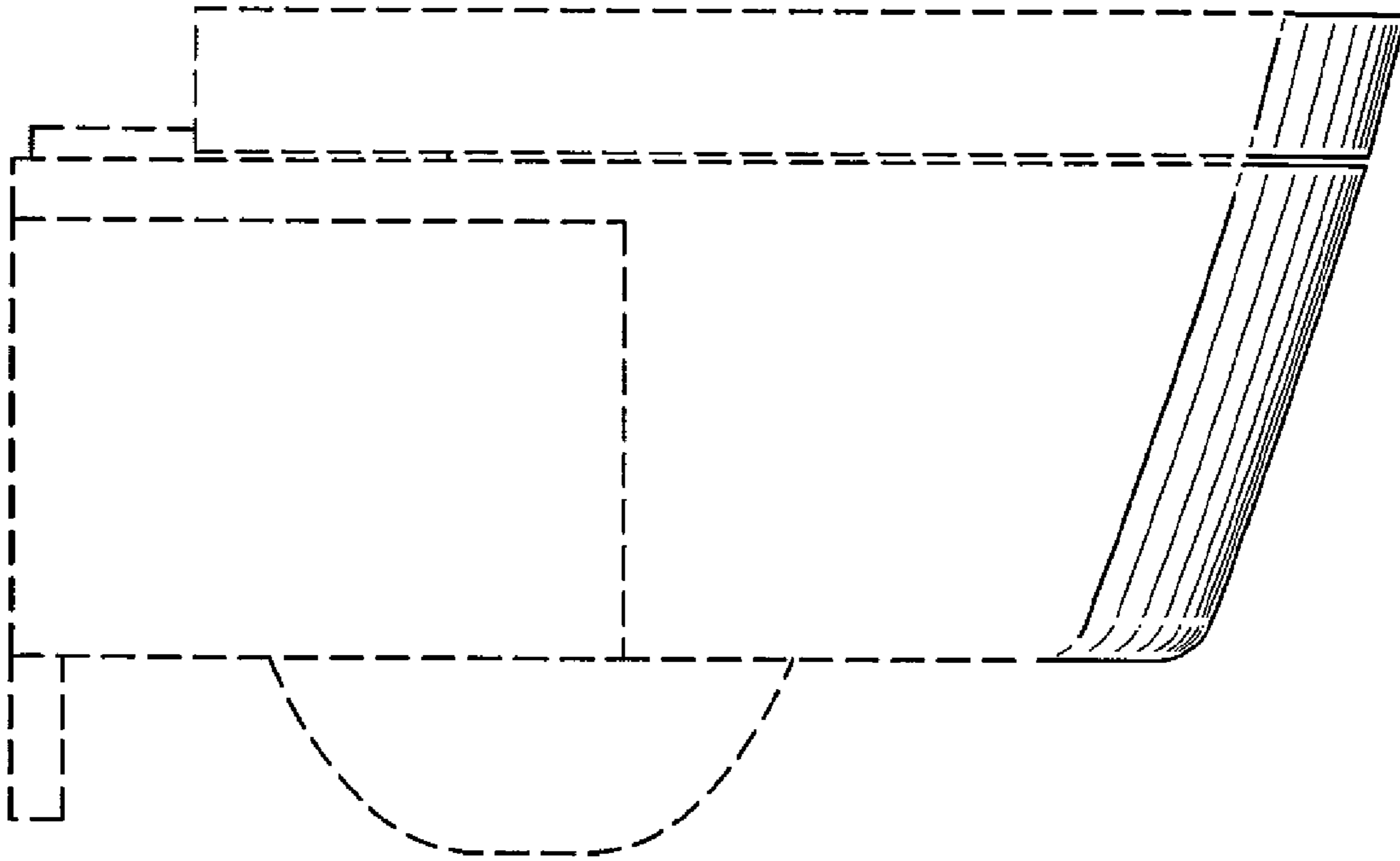


FIG. 11

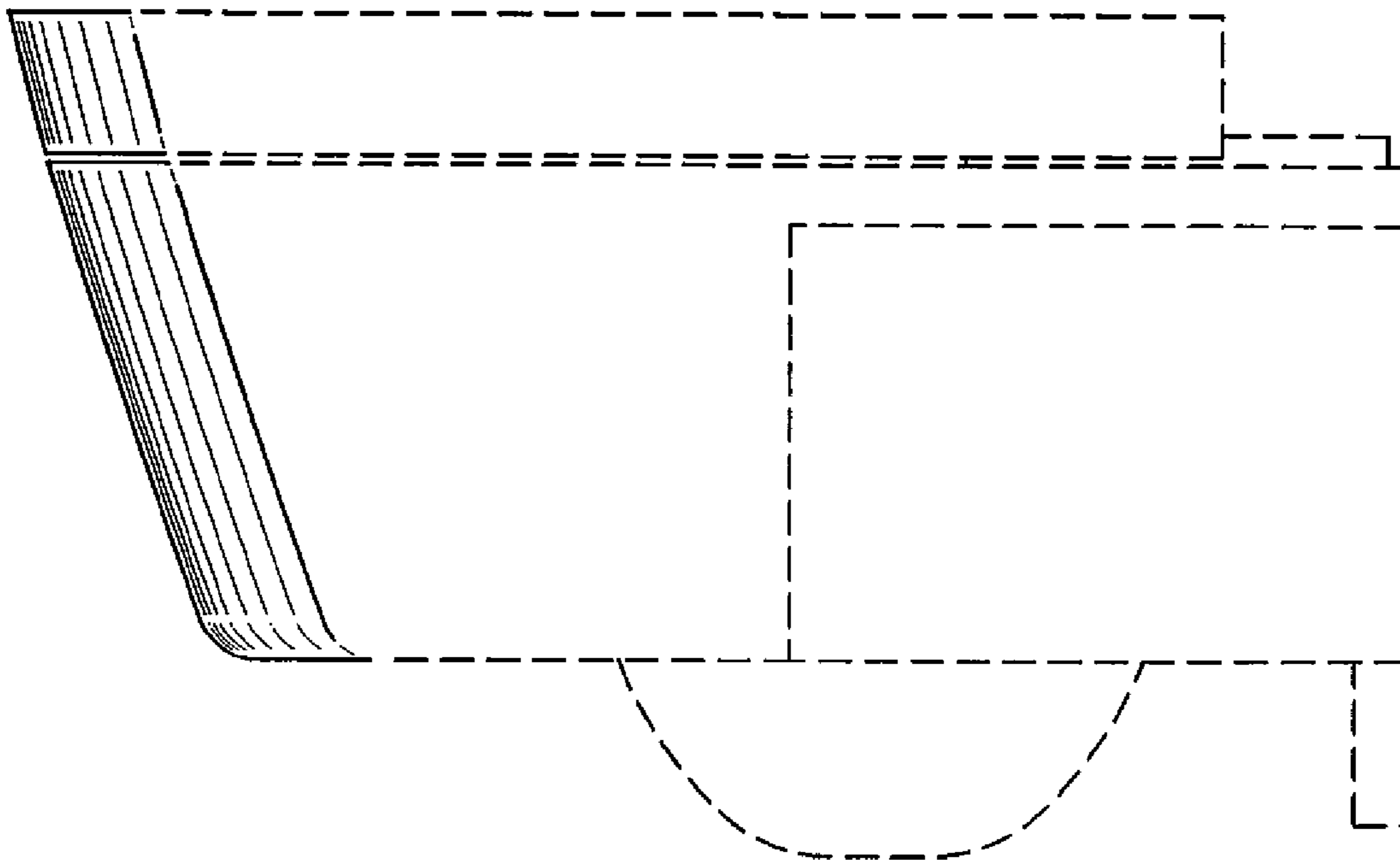


FIG. 12

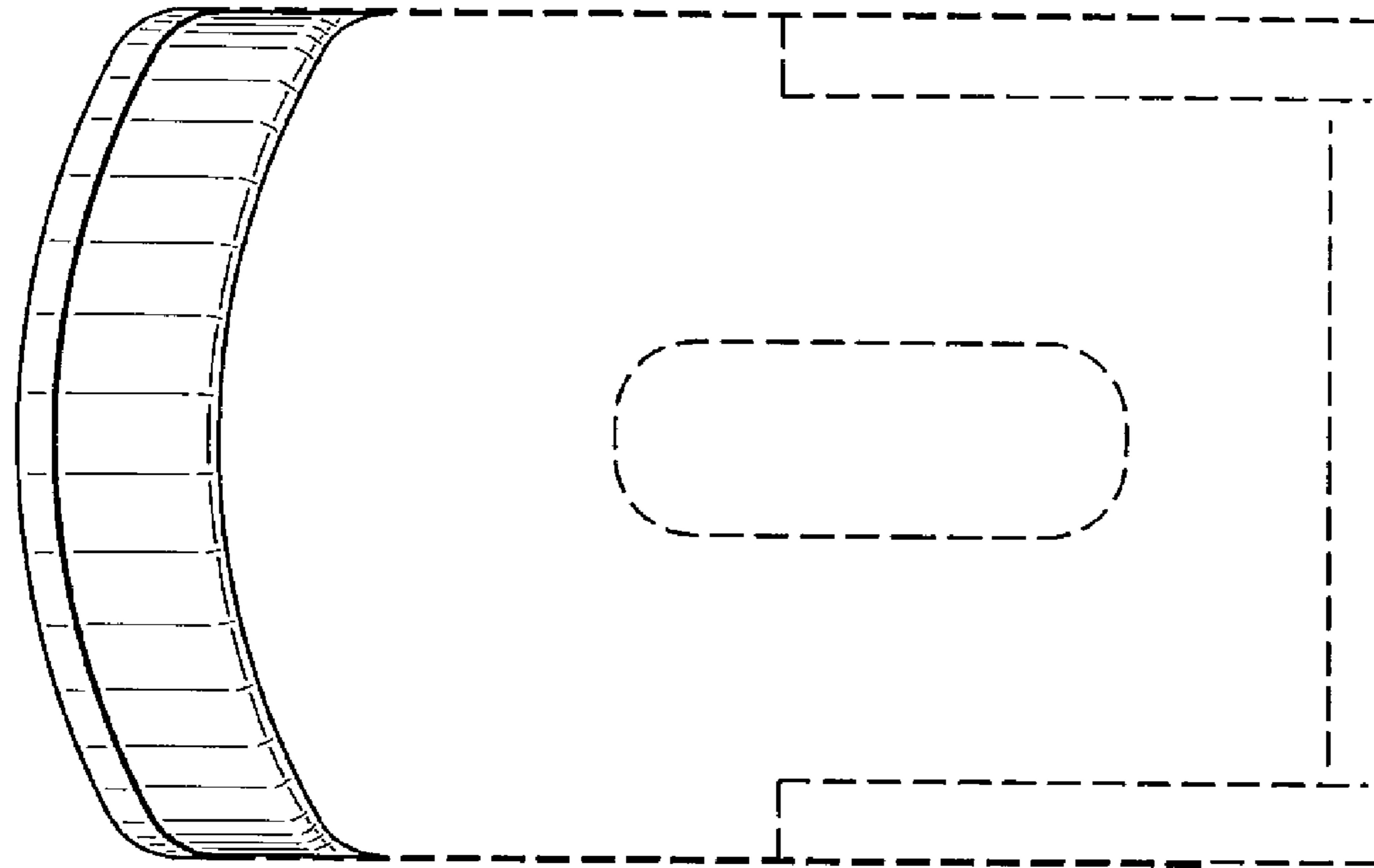


FIG. 14

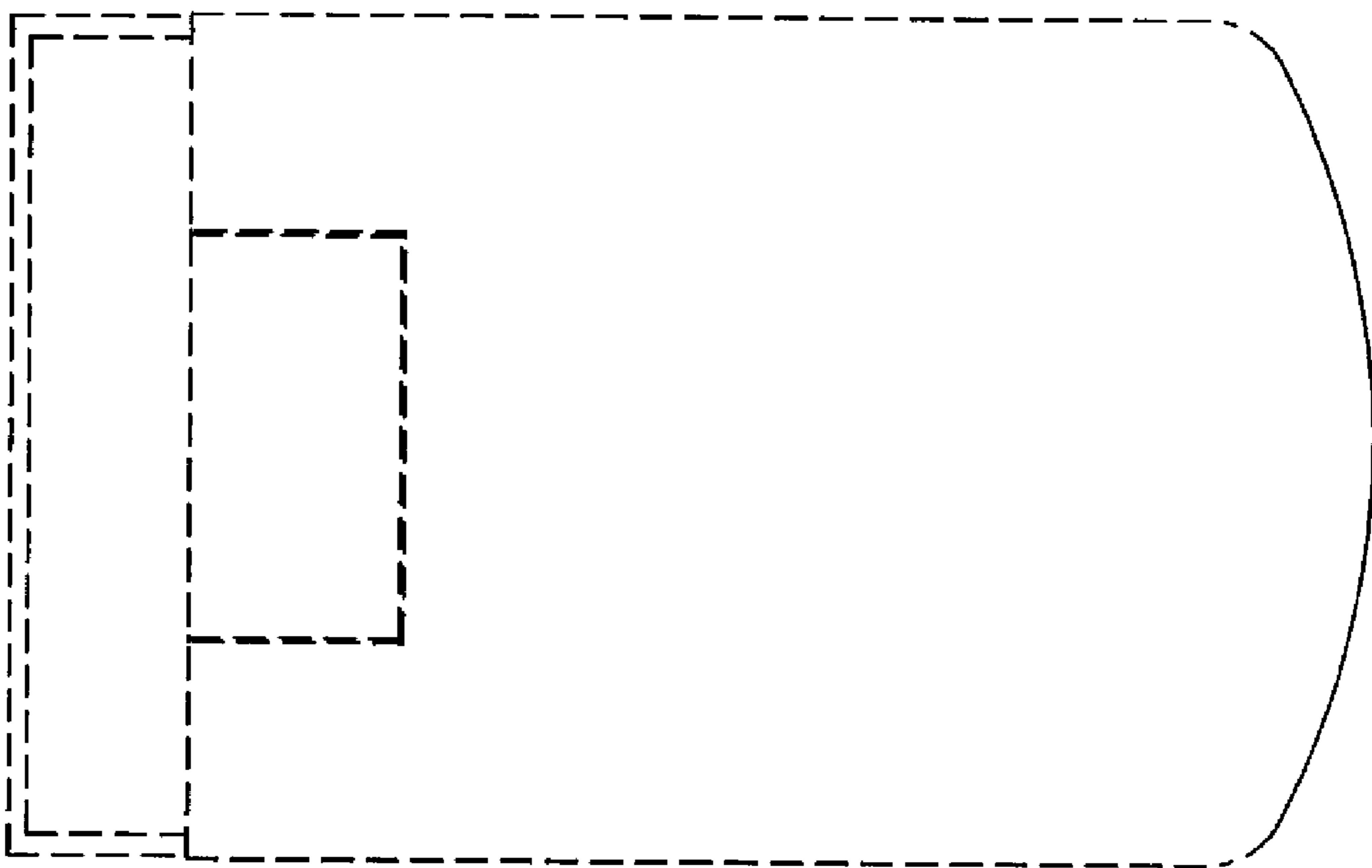


FIG. 13

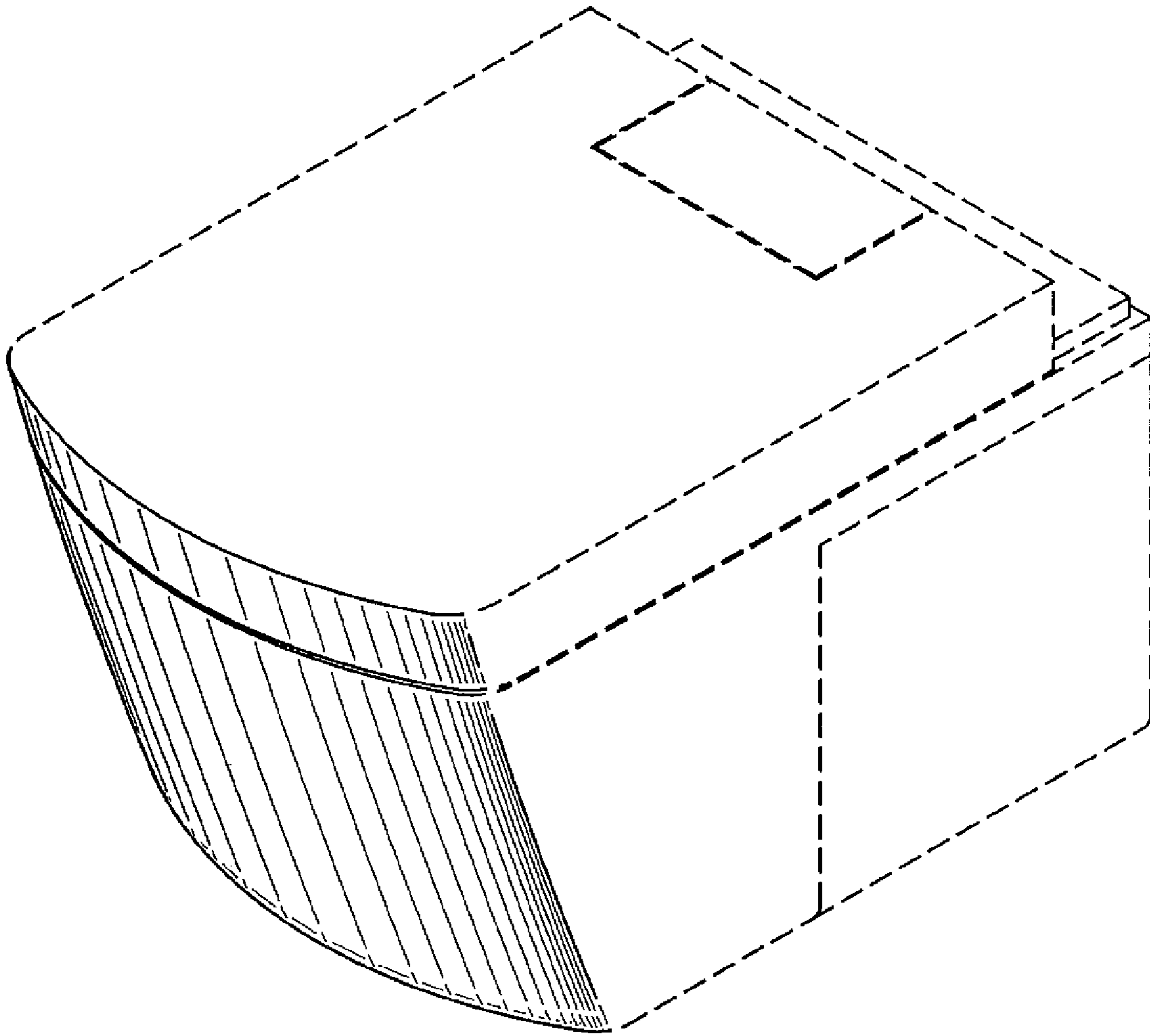


FIG. 15

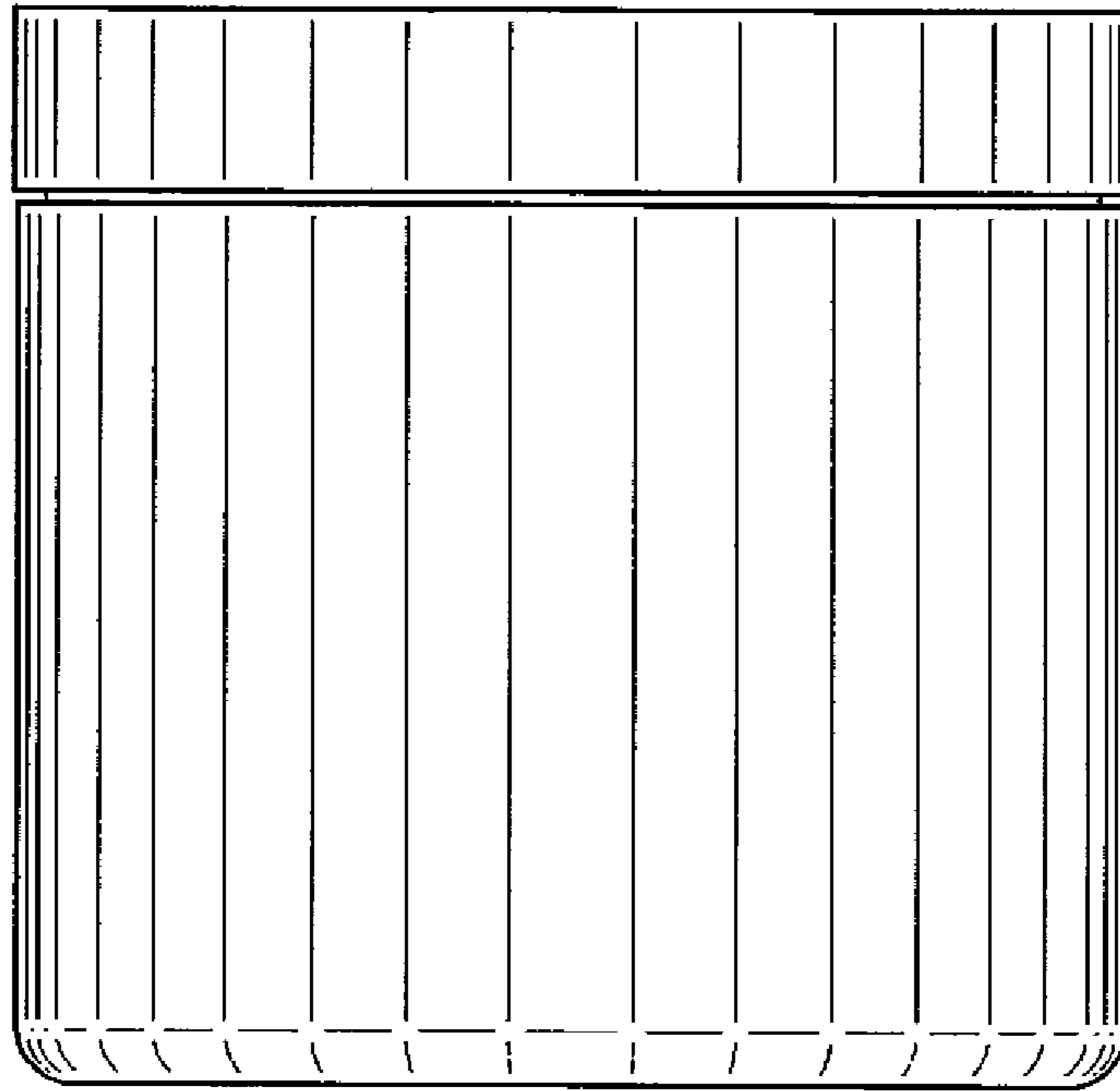


FIG. 16

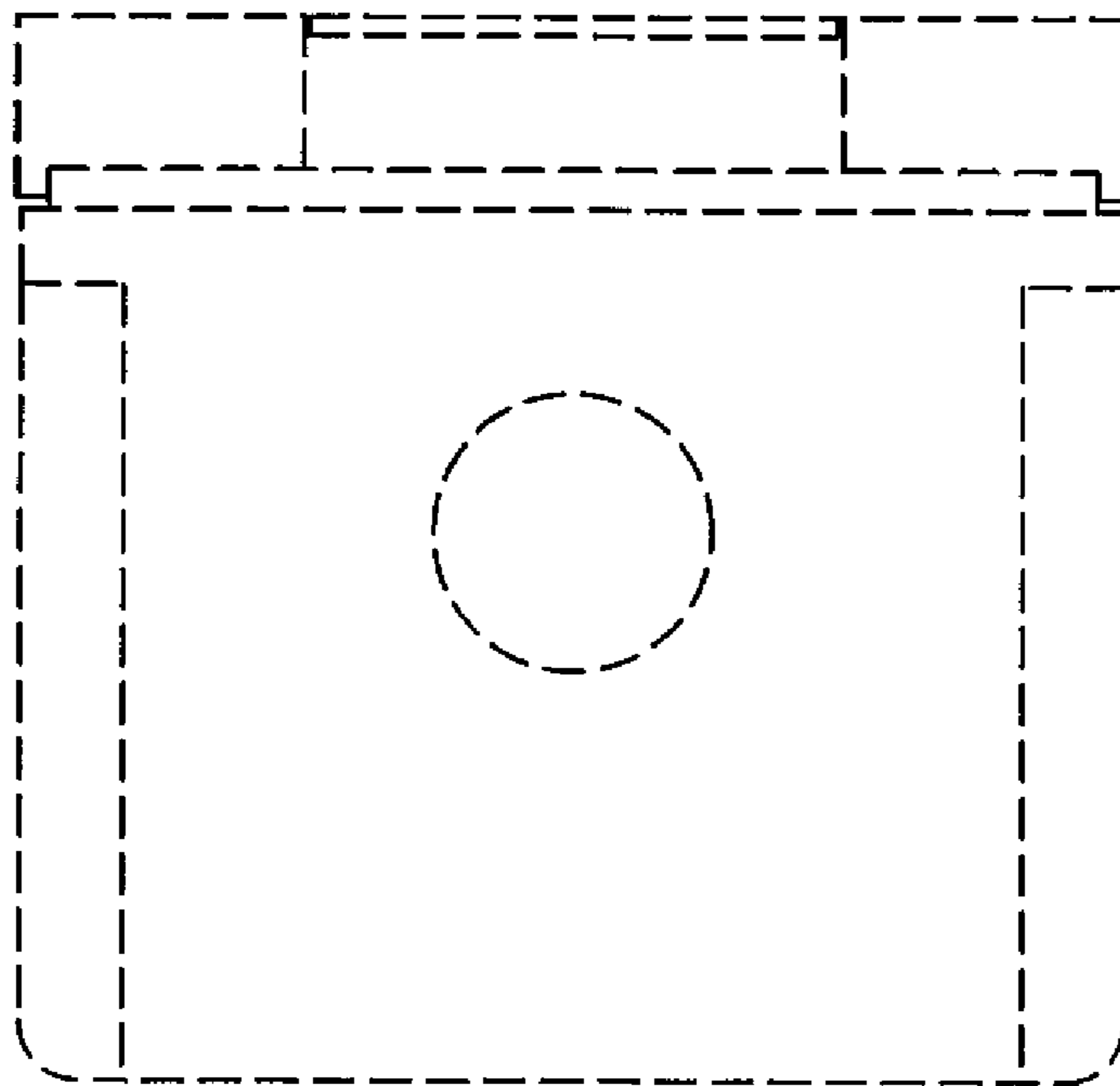


FIG. 17

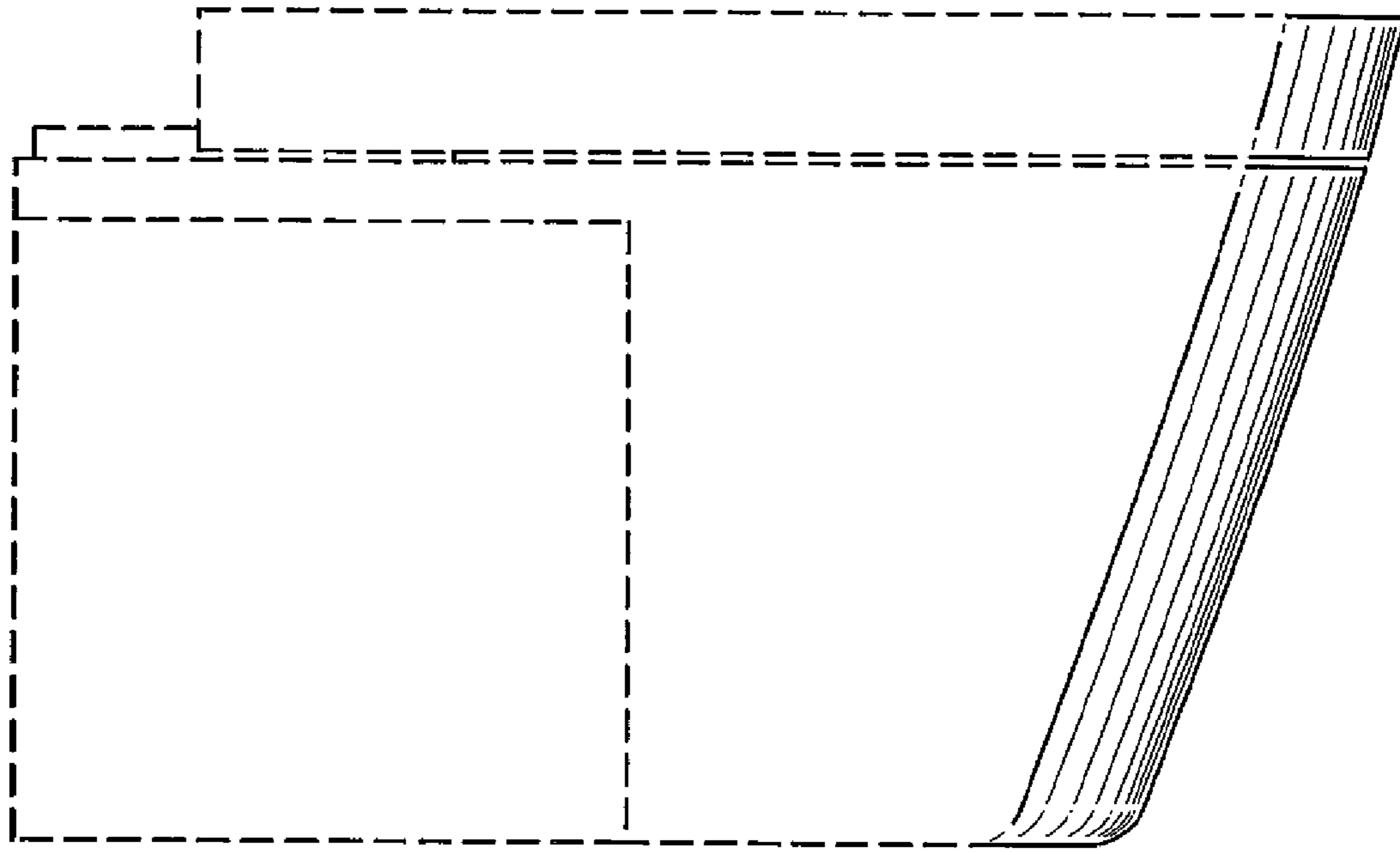


FIG. 18

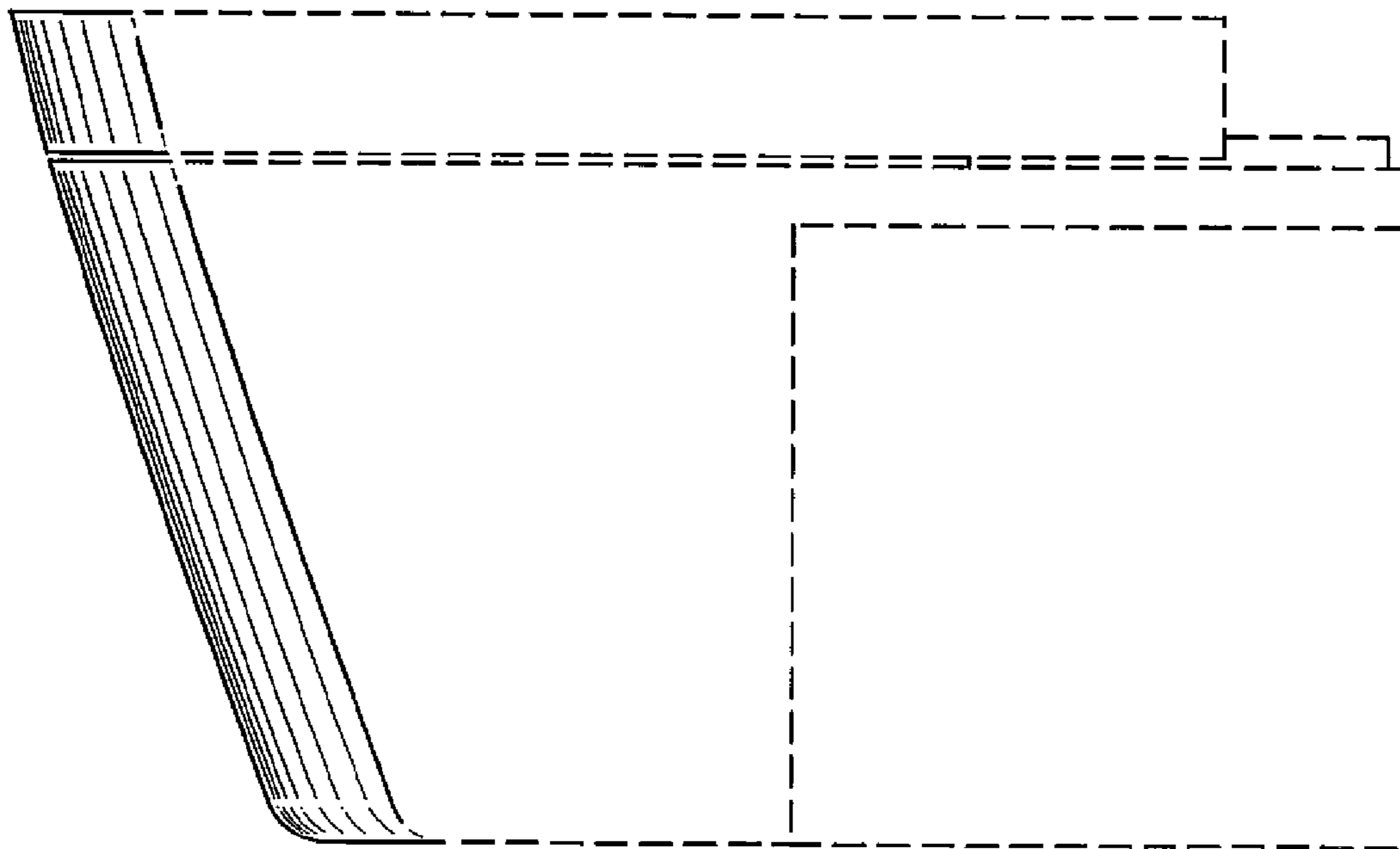


FIG. 19

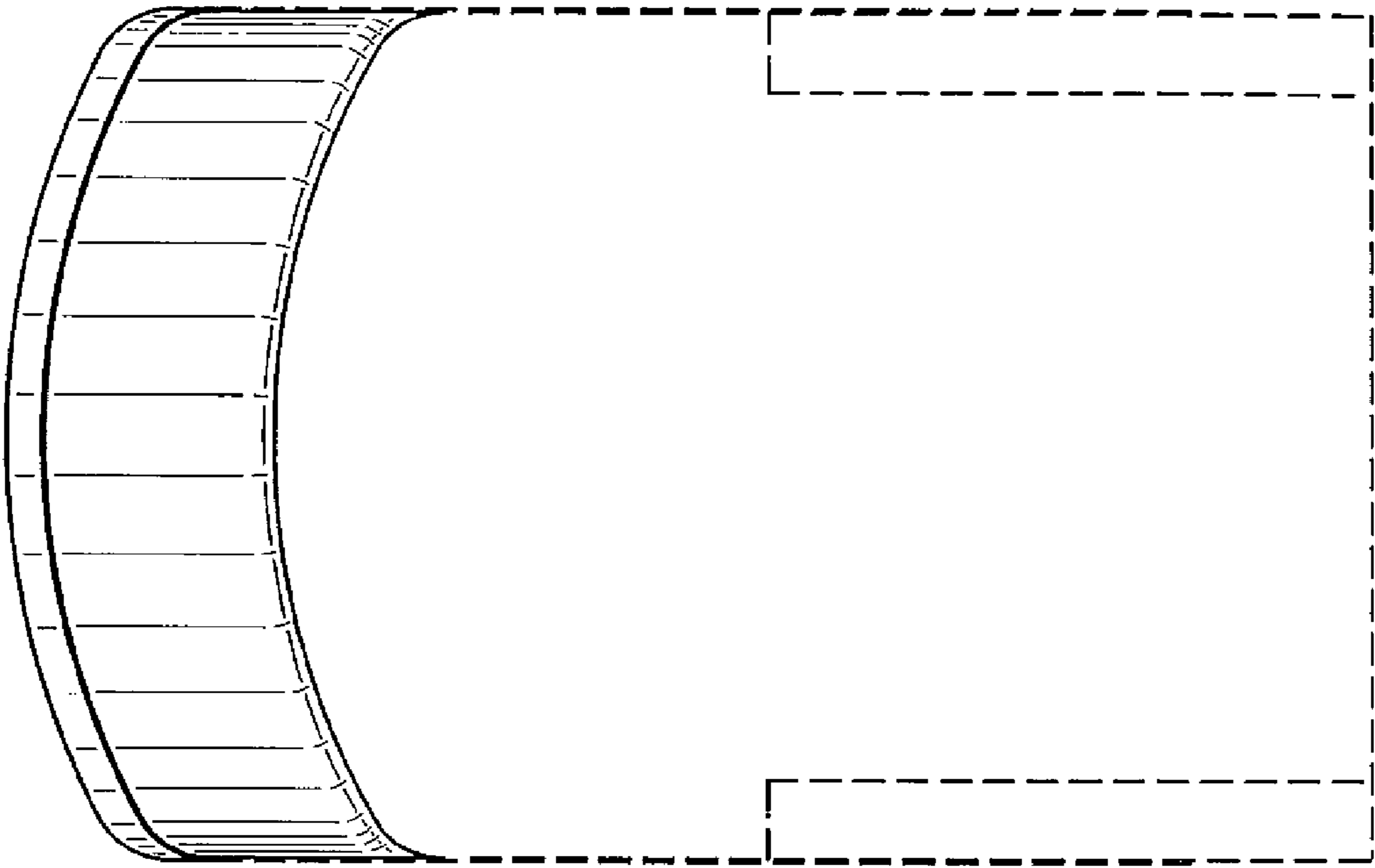


FIG. 21

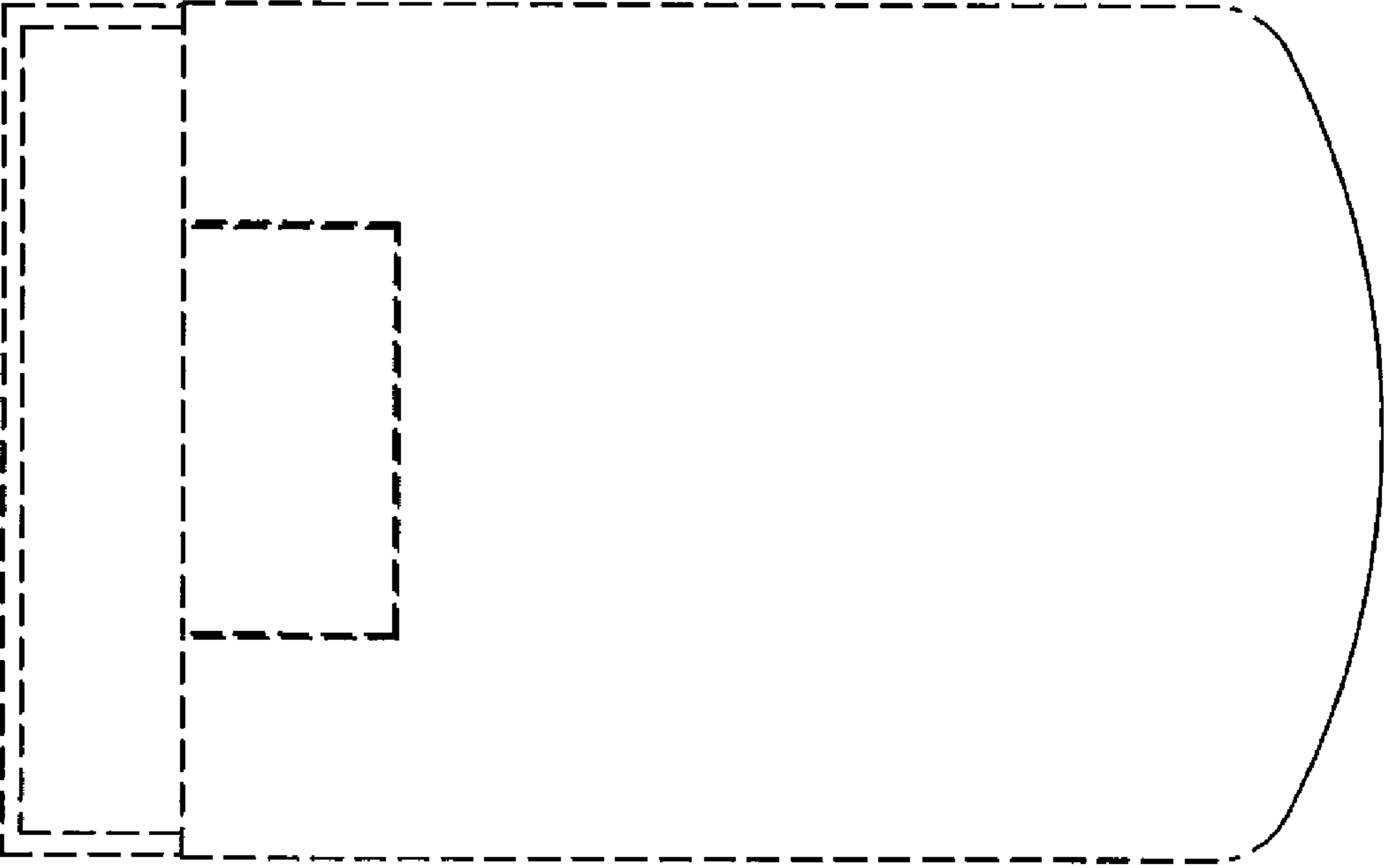


FIG. 20

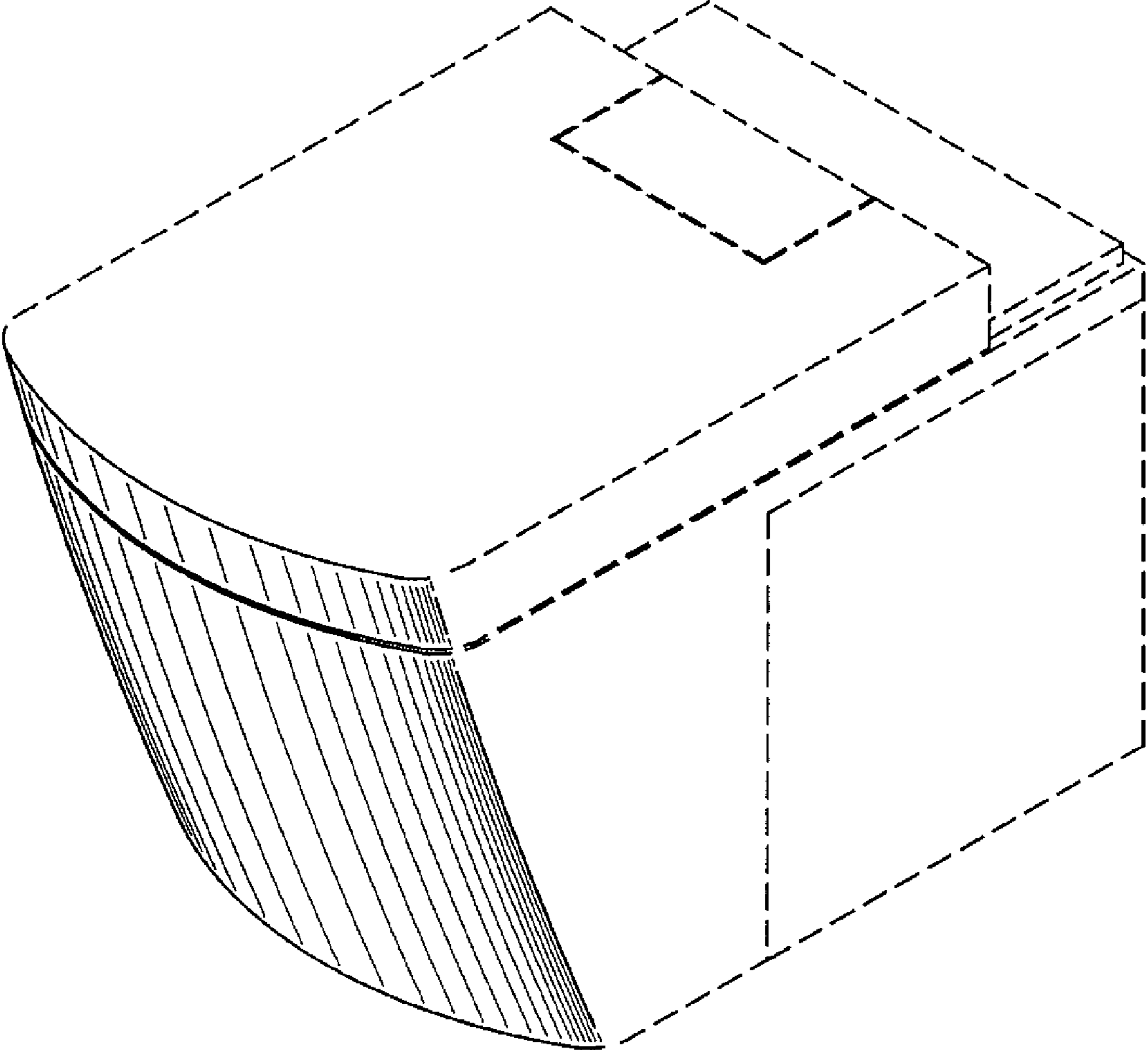


FIG. 22

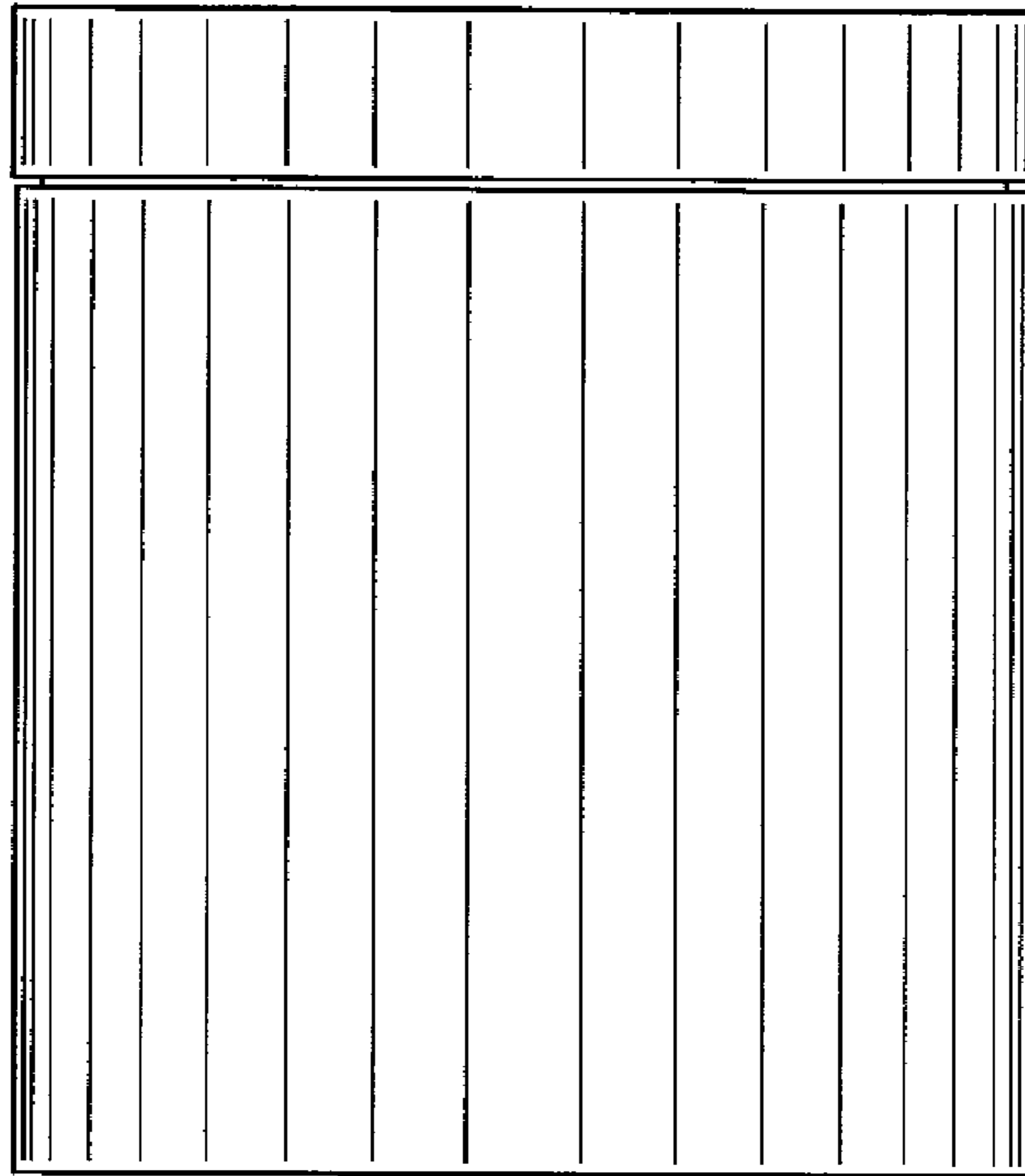


FIG. 23

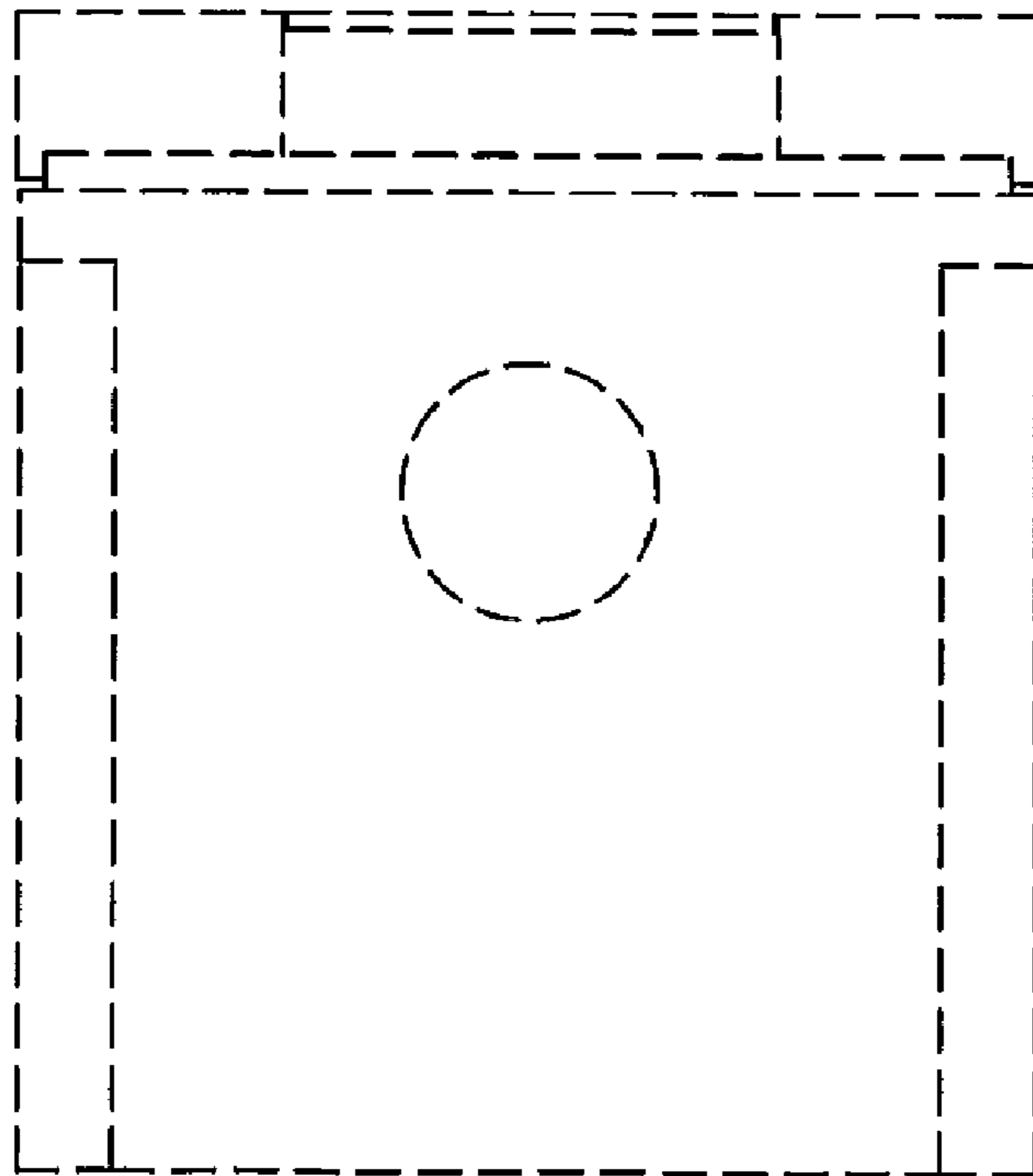


FIG. 24

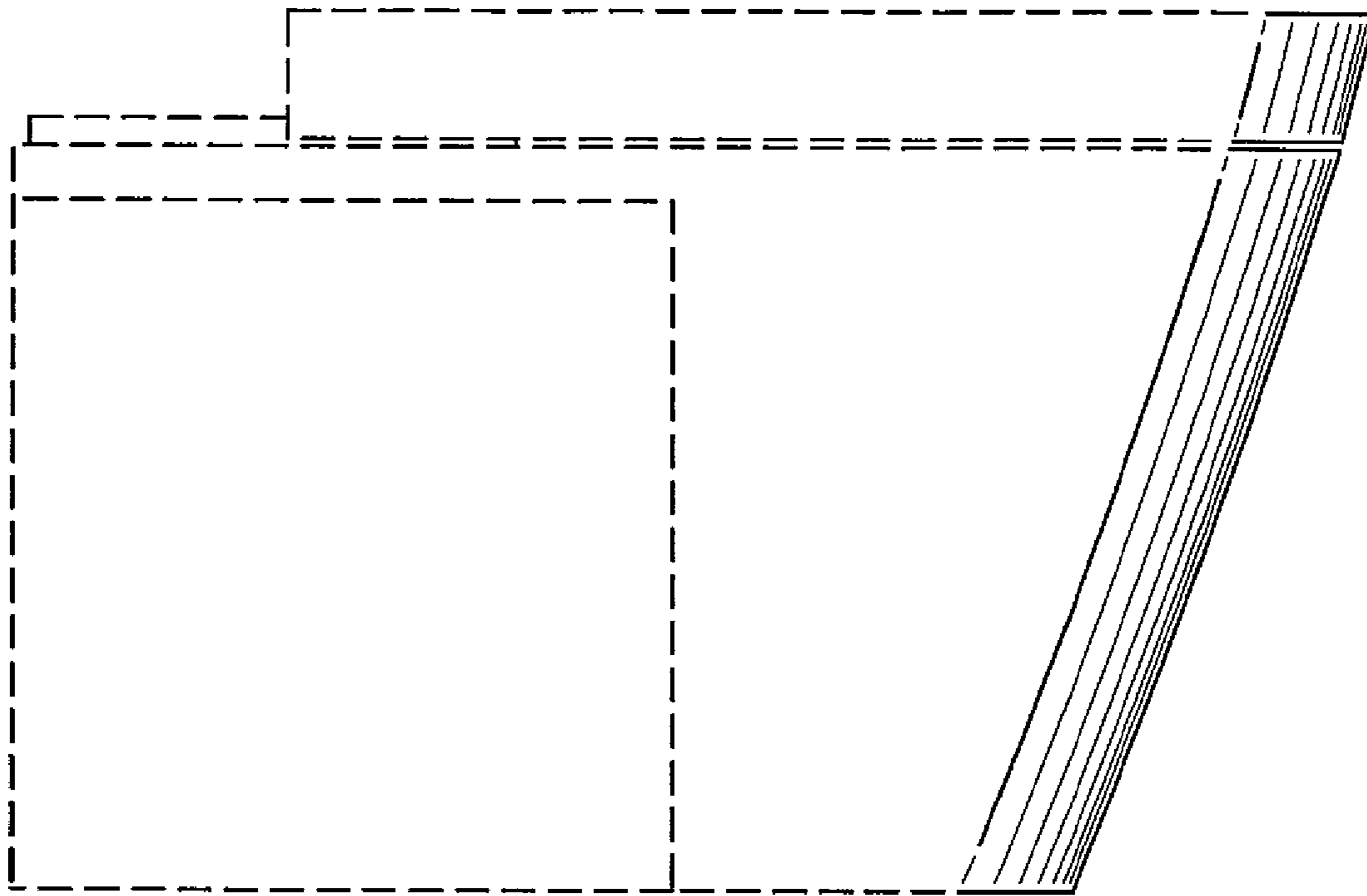


FIG. 25

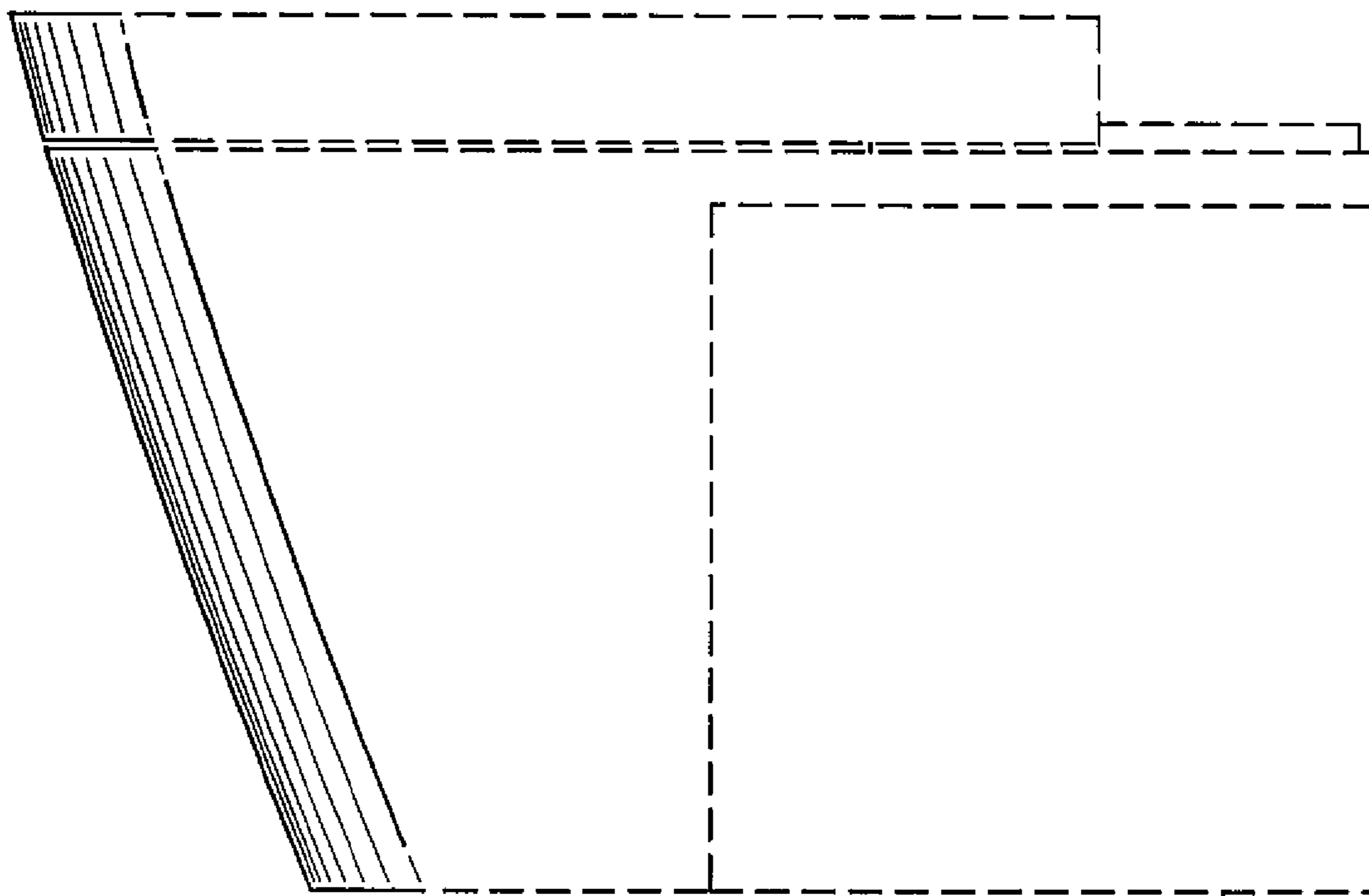


FIG. 26

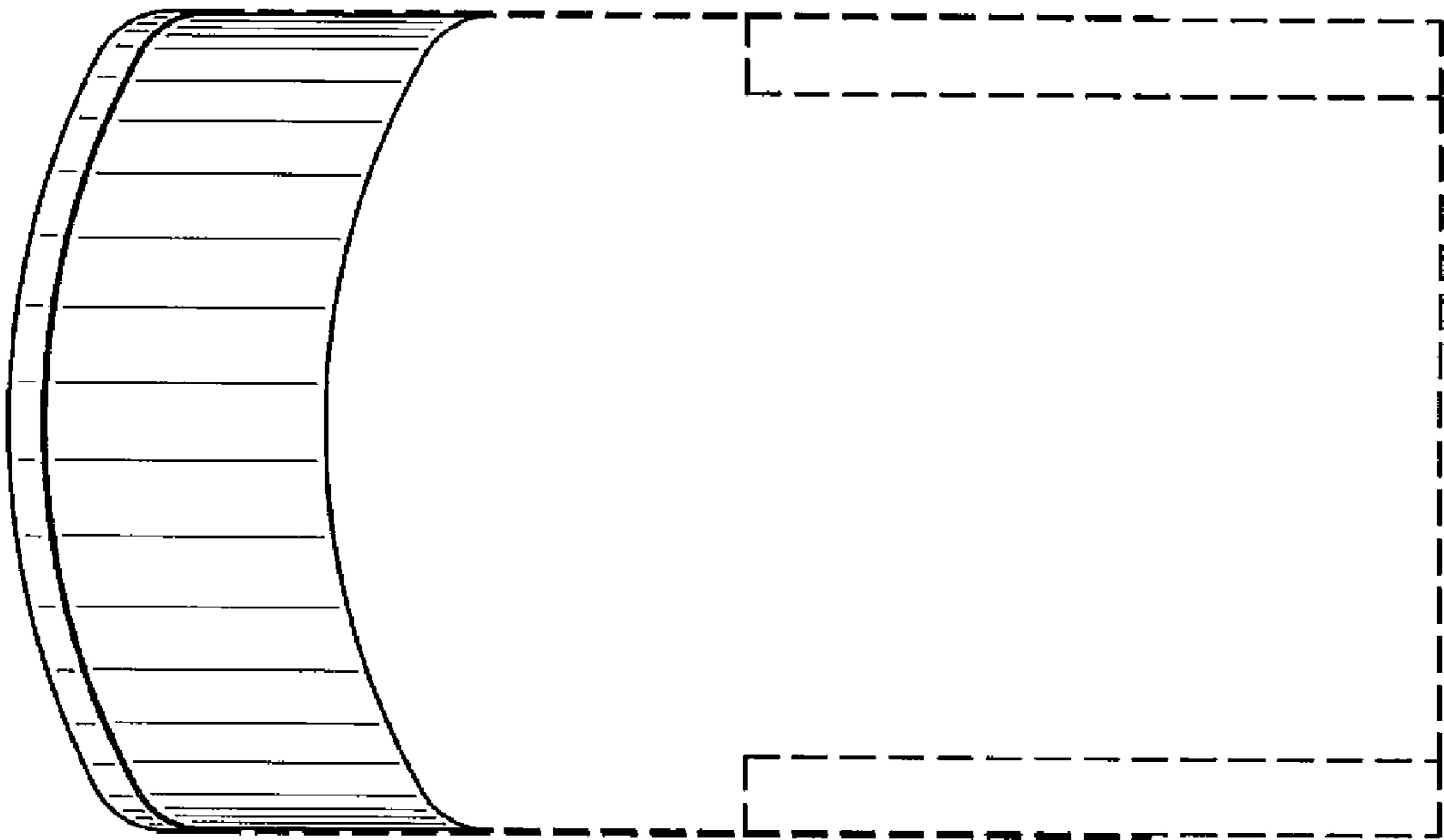


FIG. 28

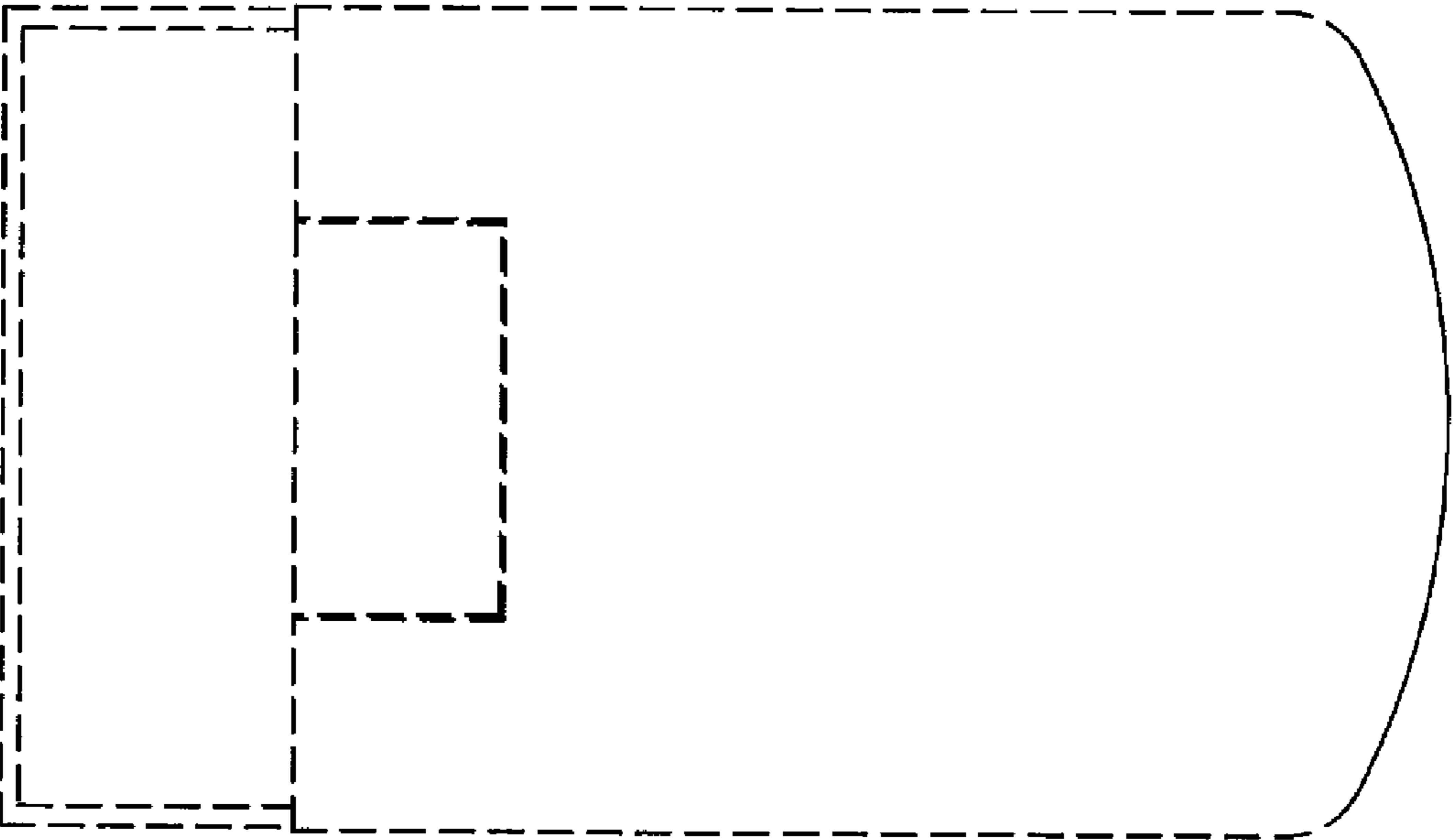


FIG. 27