



US00D610660S

(12) **United States Design Patent**
Slothower

(10) **Patent No.:** **US D610,660 S**

(45) **Date of Patent:** **** Feb. 23, 2010**

(54) **LAVATORY**

(75) Inventor: **Anna-Pia Slothower**, Mill Valley, CA
(US)

(73) Assignee: **Kohler Co.**, Kohler, WI (US)

(**) Term: **14 Years**

(21) Appl. No.: **29/336,035**

(22) Filed: **Apr. 27, 2009**

(51) **LOC (9) Cl.** **23-02**

(52) **U.S. Cl.** **D23/293.1**

(58) **Field of Classification Search** D23/284–287,
D23/290–293.1, 308; 4/619, 637, 639–640,
4/642; D7/543, 545

See application file for complete search history.

(56) **References Cited**

U.S. PATENT DOCUMENTS

- D475,579 S * 6/2003 Jørgensen D7/545
- D521,616 S * 5/2006 Bates D23/293.1
- D537,926 S * 3/2007 Sutopo D23/293.1

OTHER PUBLICATIONS

- Kohler Co. “Bachata oval lavatory”. Model No. K-2608 and K-2609. Kohler online catalog.
- Elkay. “Lustertone Round Bowl Without Faucet Ledge”. Models RLR Series and Models RLLVR Series—Lavatory with Overflow. Elkayusa.com online catalog.

Elkay. “Harmony Undermount Single Bowl Sink”. Models ELU715 and ELUH1715. Elkayusa.com online catalog.

* cited by examiner

Primary Examiner—Robert A Delehanty

(74) *Attorney, Agent, or Firm*—Quarle & Brady LLP

(57) **CLAIM**

The ornamental design for a lavatory, as shown and described.

DESCRIPTION

In a preferred embodiment, the nature of this product is as a plumbing fixture in the form of a lavatory which is primarily useful for washing various items and the body parts of humans.

FIG. 1 is a right, top, front perspective view of a lavatory embodying my new design;

FIG. 2 is a top plan view thereof;

FIG. 3 is a front elevational view thereof;

FIG. 4 is a right side elevational view thereof, the left side elevational view thereof being a mirror image of the right side shown;

FIG. 5 is a rear elevational view thereof; and,

FIG. 6 is a bottom plan view thereof.

The broken line representations in the figures are for the purpose of illustration only, and form no part of the claimed design.

1 Claim, 3 Drawing Sheets

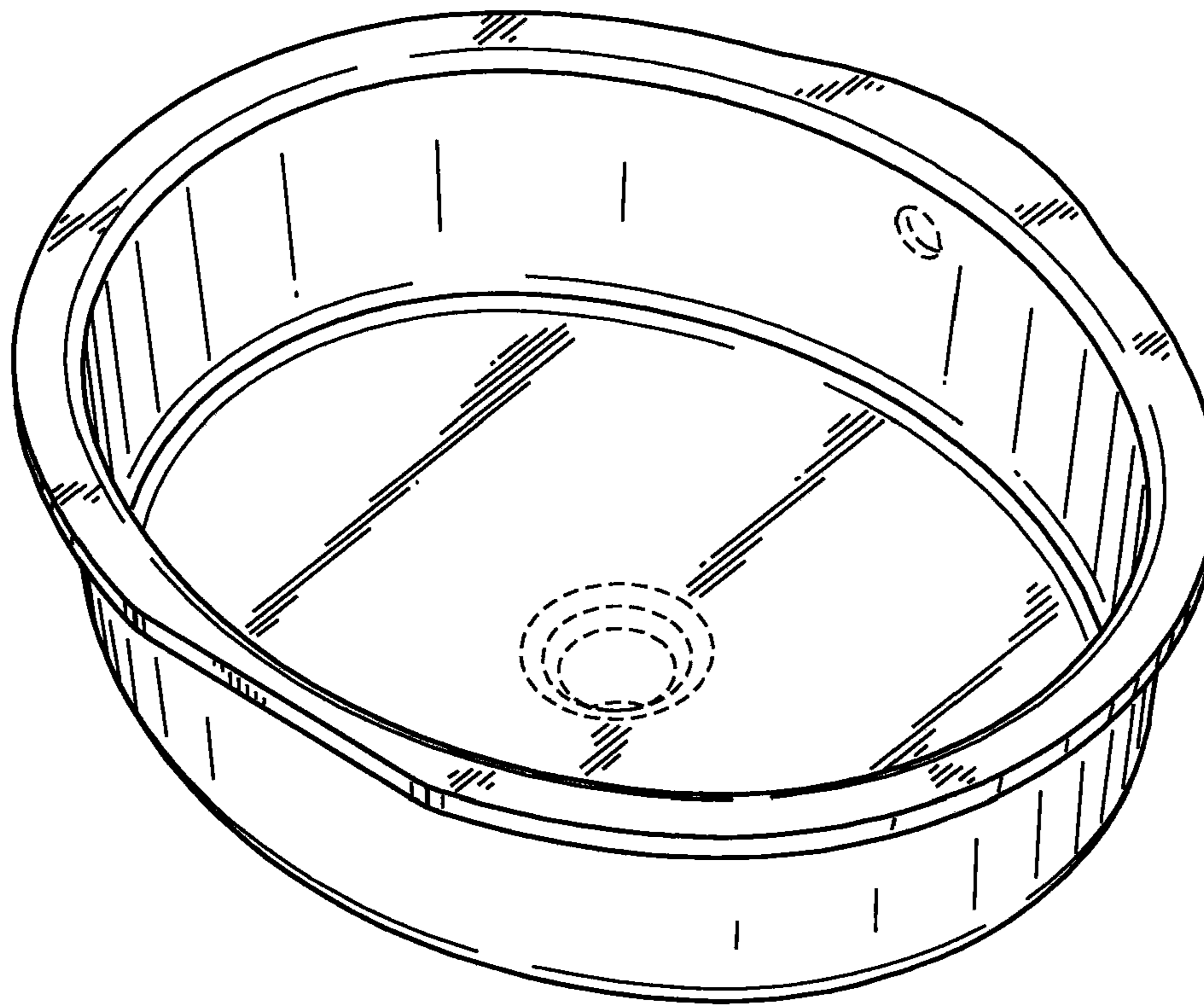


FIG. 1

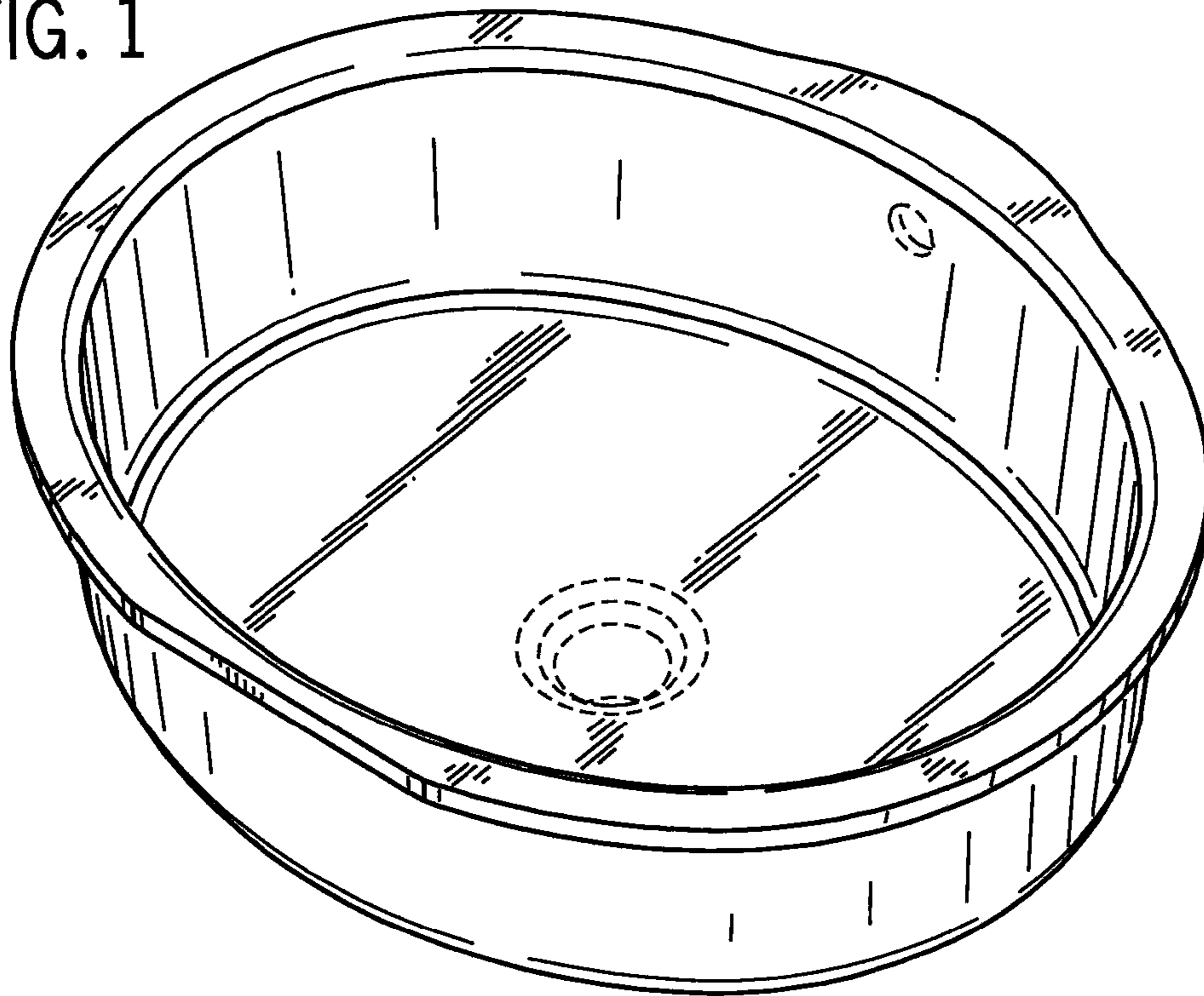
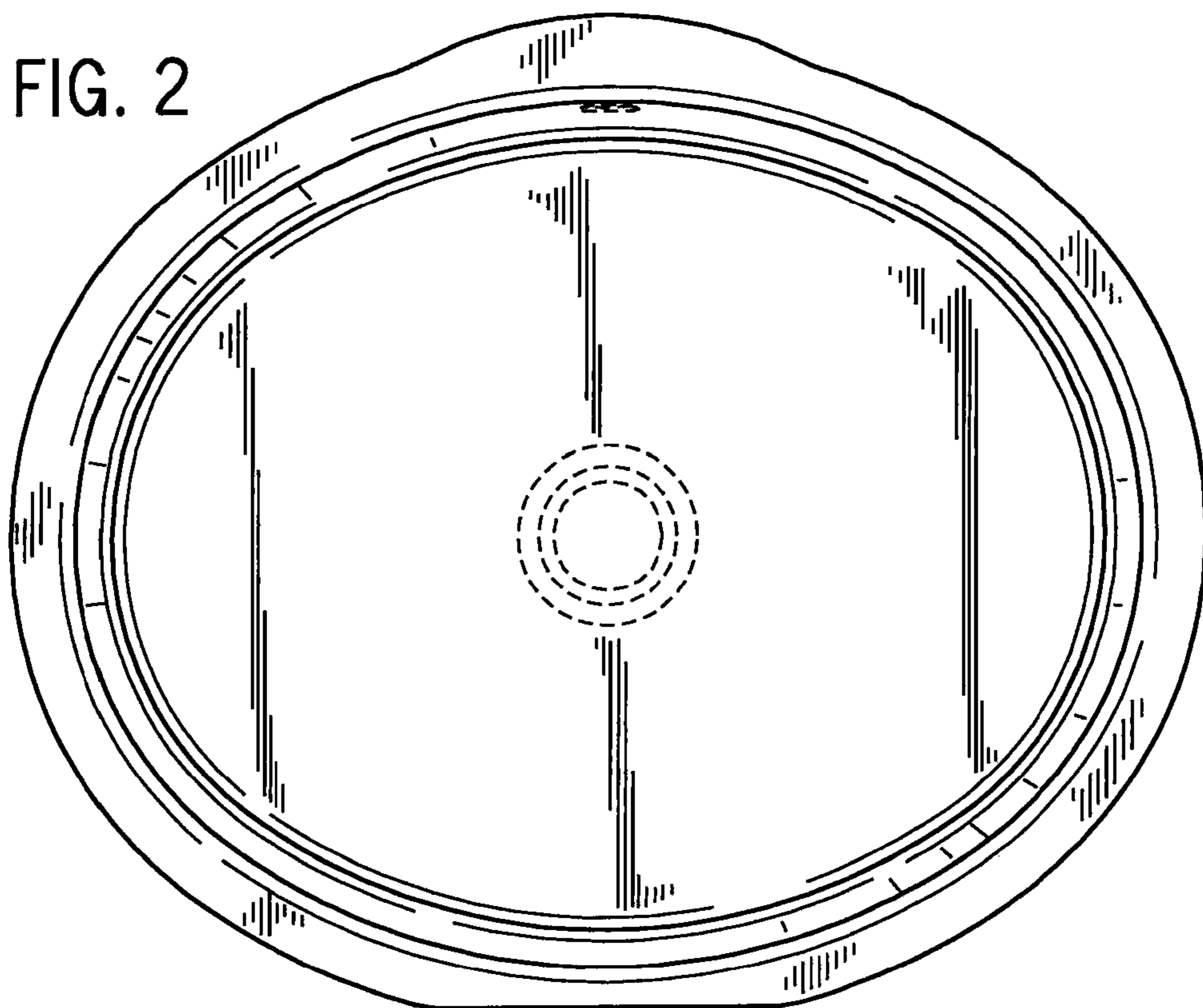


FIG. 2



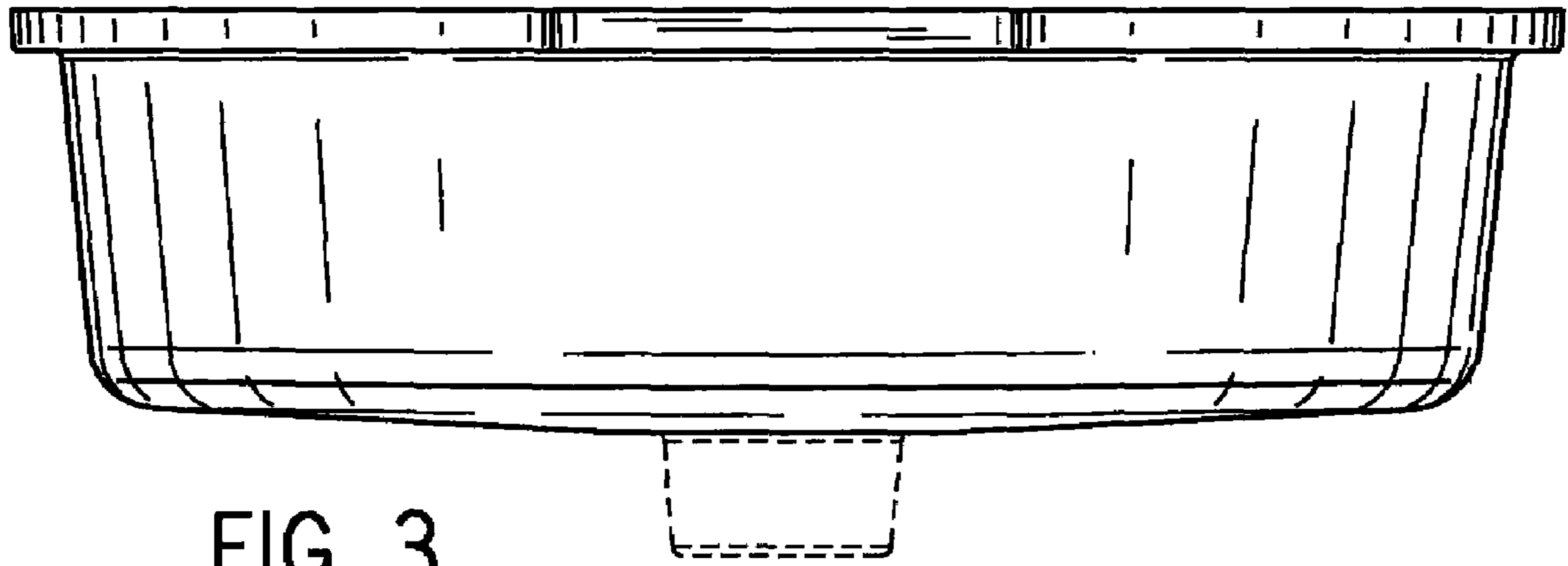


FIG. 3

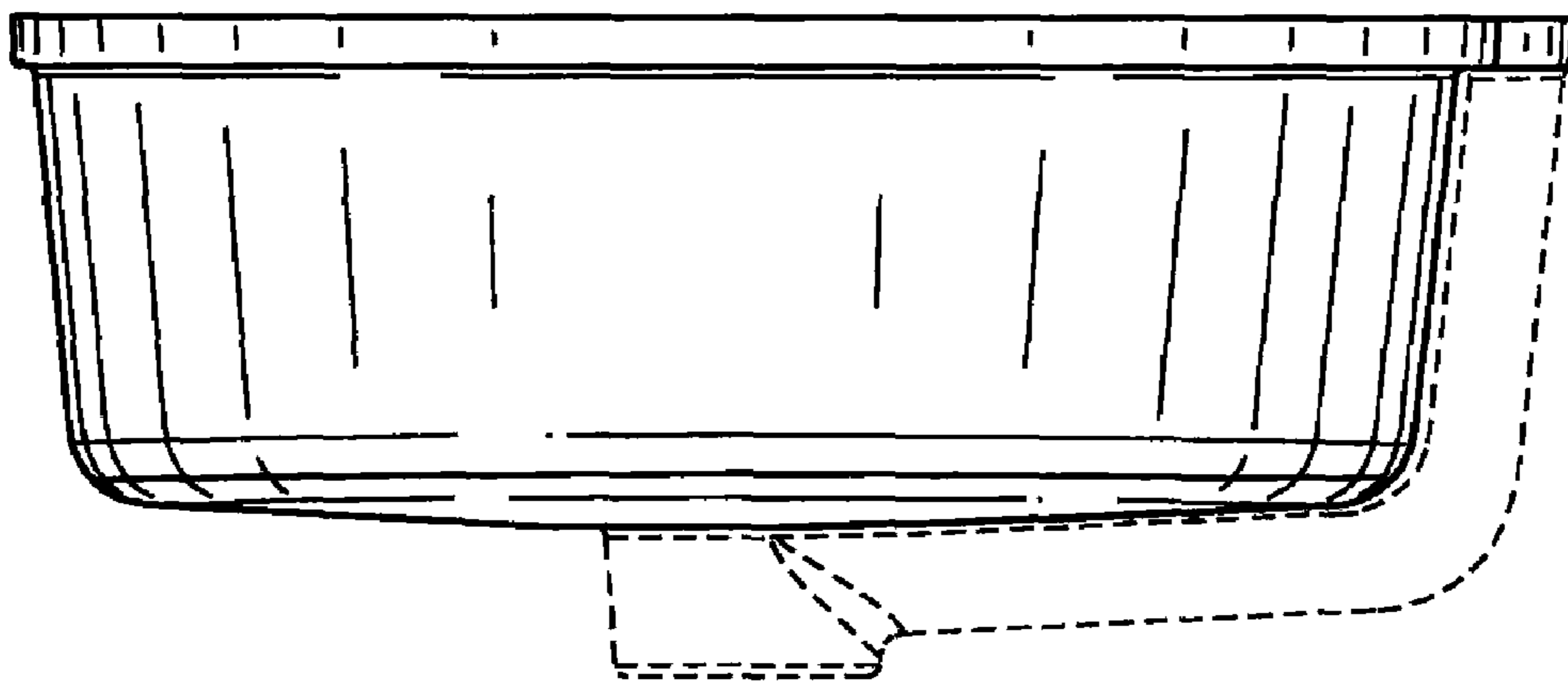


FIG. 4

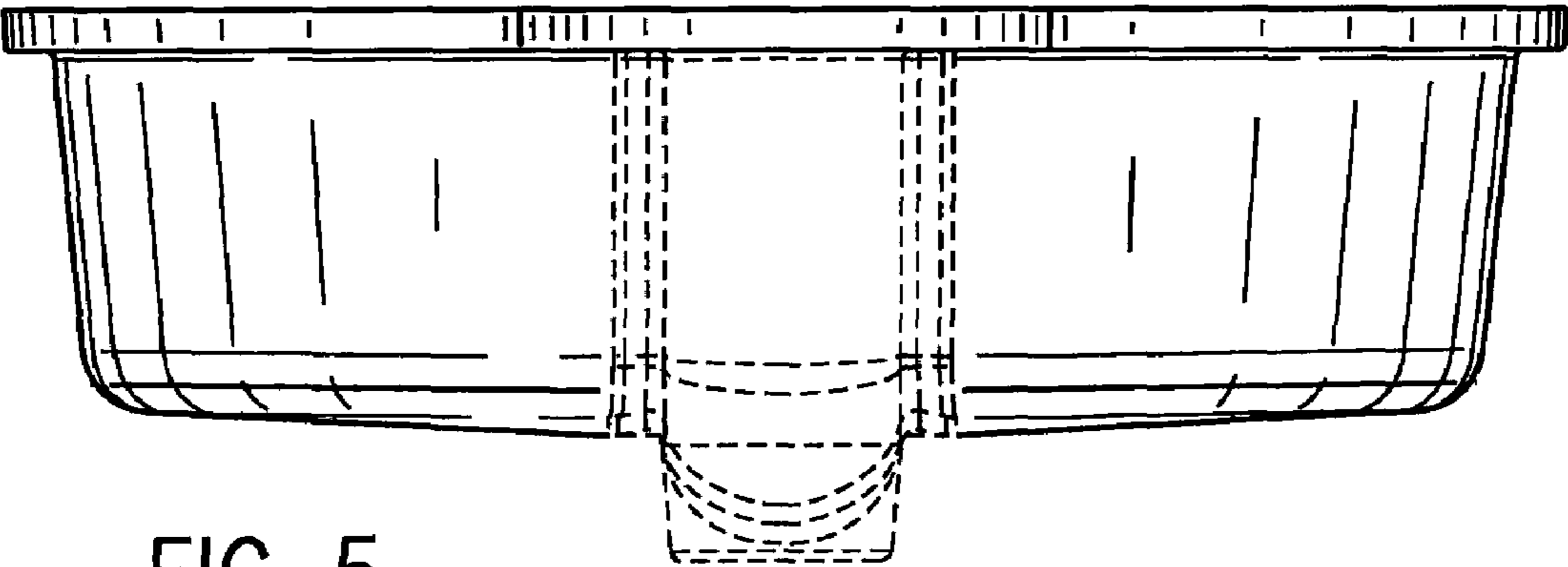


FIG. 5

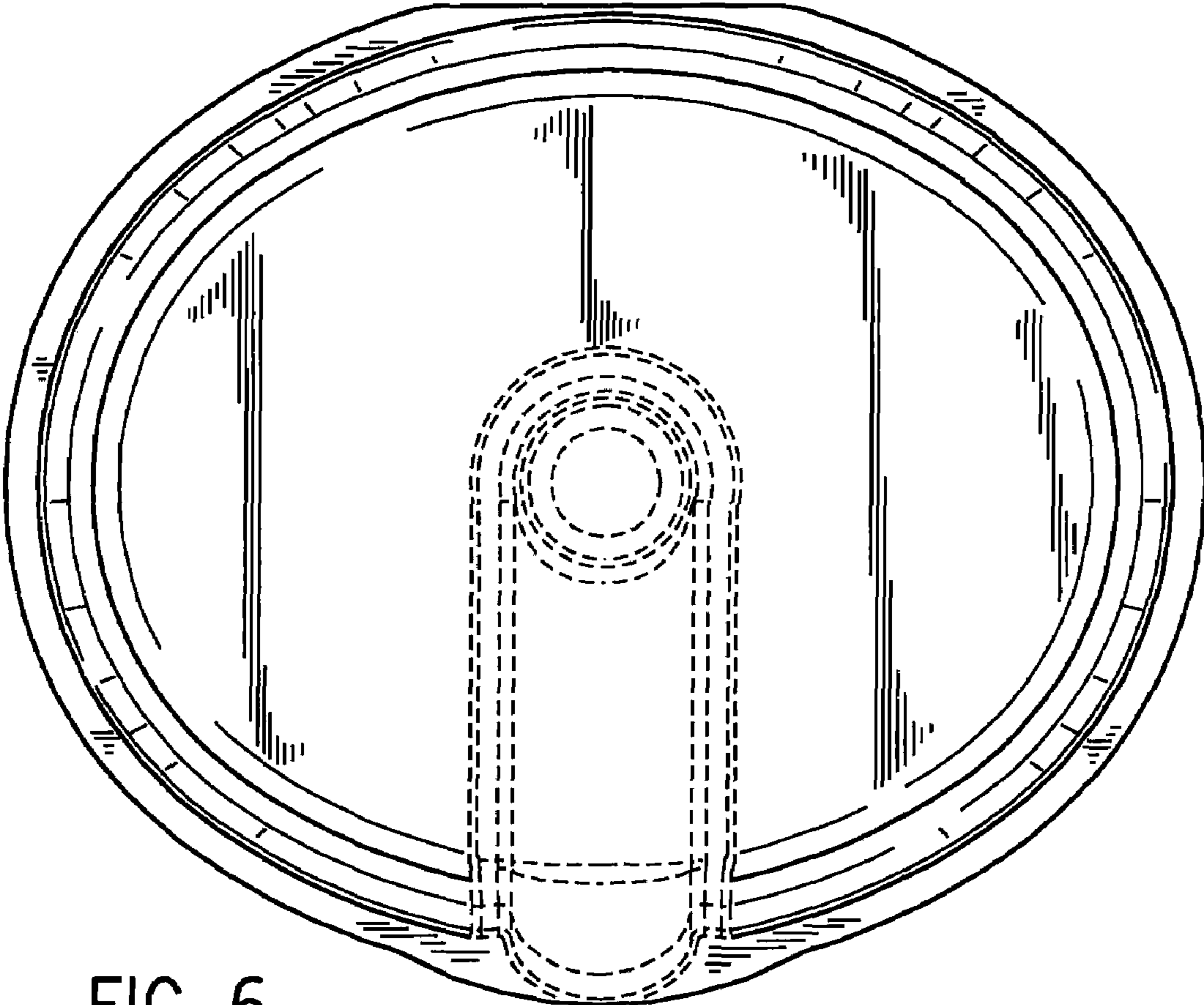


FIG. 6