



US00D610659S

(12) **United States Design Patent**  
**Booth**

(10) **Patent No.:** **US D610,659 S**  
(45) **Date of Patent:** **\*\* Feb. 23, 2010**

(54) **SINK**

(57) **CLAIM**

(75) Inventor: **Shawn J. Booth**, Sheboygan, WI (US)

The ornamental design for a sink, as shown and described.

(73) Assignee: **Kohler Co.**, Kohler, WI (US)

(\*\*) Term: **14 Years**

**DESCRIPTION**

(21) Appl. No.: **29/335,009**

In a preferred embodiment, the nature of this product is as a plumbing fixture in the form of a sink which is primarily useful for washing various items and the body parts of humans.

(22) Filed: **Apr. 7, 2009**

(51) **LOC (9) Cl.** ..... **23-02**

(52) **U.S. Cl.** ..... **D23/290**

(58) **Field of Classification Search** ..... D23/284–287,  
D23/290–293.1, 308; 4/619, 637, 639–640,  
4/642

FIG. 1 is a left, top, front perspective view of a sink embodying my new design;

FIG. 2 is a top plan view thereof;

FIG. 3 is a front elevational view thereof;

FIG. 4 is a left side elevational view thereof;

FIG. 5 is a right side elevational view thereof;

FIG. 6 is a rear elevational view thereof;

FIG. 7 is a bottom plan view thereof;

FIG. 8 is a sectional view taken along line 8—8 of FIG. 2; and,

FIG. 9 is a right, top, front perspective view of a sink according to another embodiment of my new design, the top plan, front, left side, right side and rear elevational and bottom plan views thereof being mirror images of respective FIGS. 2–7.

The broken line representations in the figures are for the purpose of illustration only, and form no part of the claimed design.

See application file for complete search history.

(56) **References Cited**

**U.S. PATENT DOCUMENTS**

D548,311 S \* 8/2007 Mahon ..... D23/290

**OTHER PUBLICATIONS**

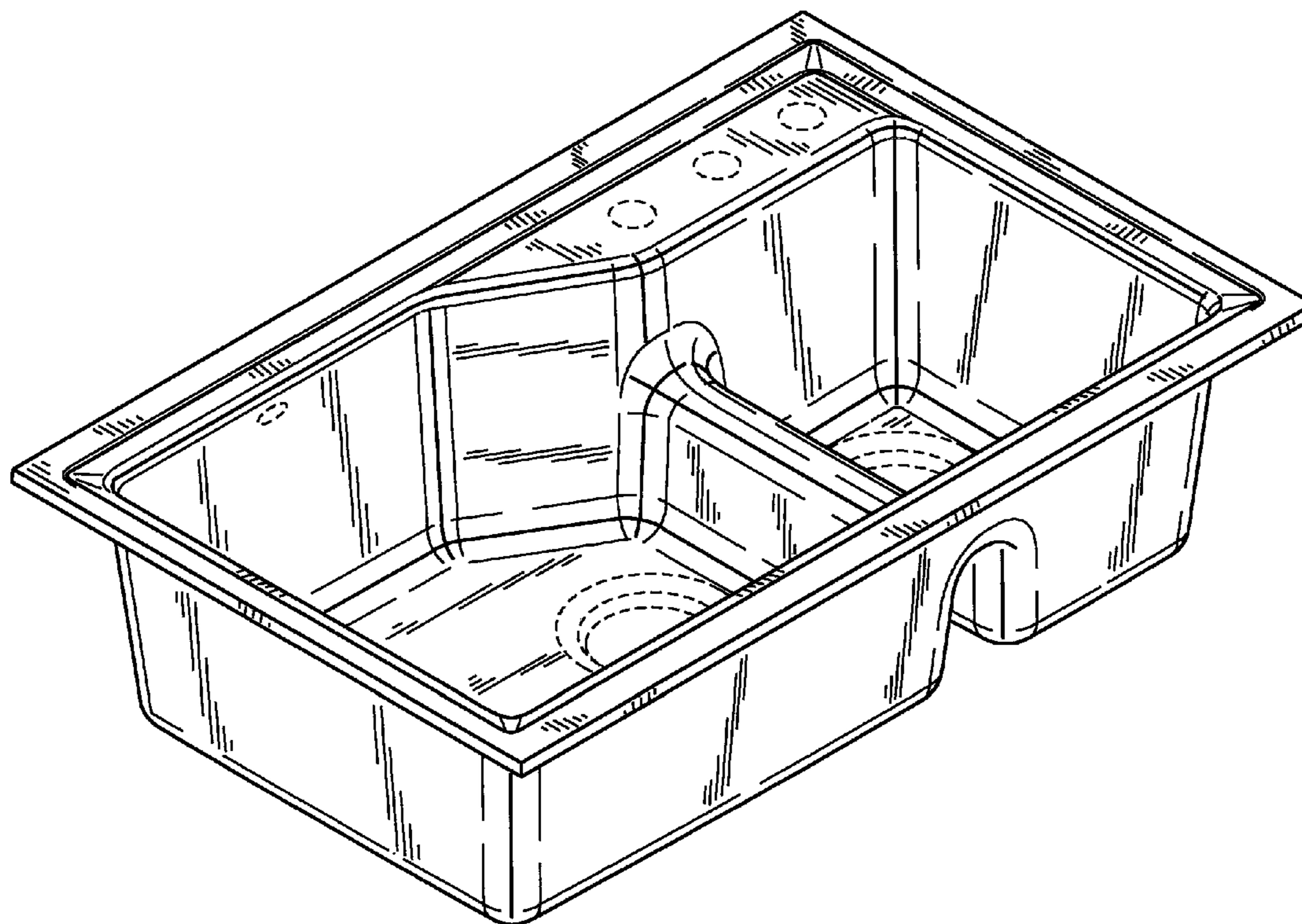
Kohler Co. “Poise™ single-basin undercounter kitchen sink”. Model No. K-3158. Kohler Co. online catalog. Copyright 2008 Kohler Co.  
Kohler Co. “Executive Chef™ self-rimming kitchen sink”. Model No. K-5932-4. Kohler Co. online catalog. Copyright 2008 Kohler Co.

\* cited by examiner

*Primary Examiner*—Robert A Delehanty

(74) *Attorney, Agent, or Firm*—Quarles & Brady LLP

**1 Claim, 5 Drawing Sheets**



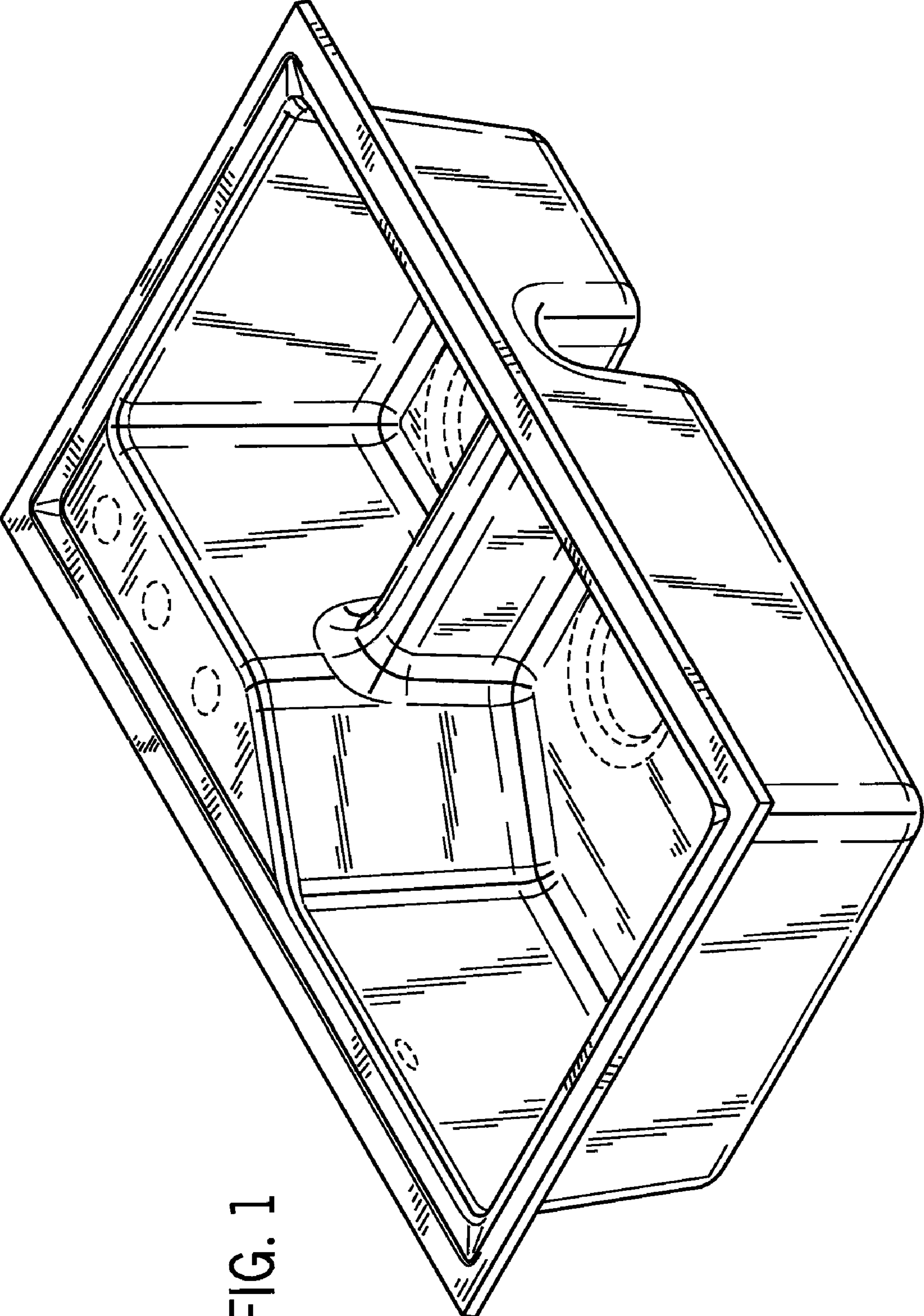


FIG. 1

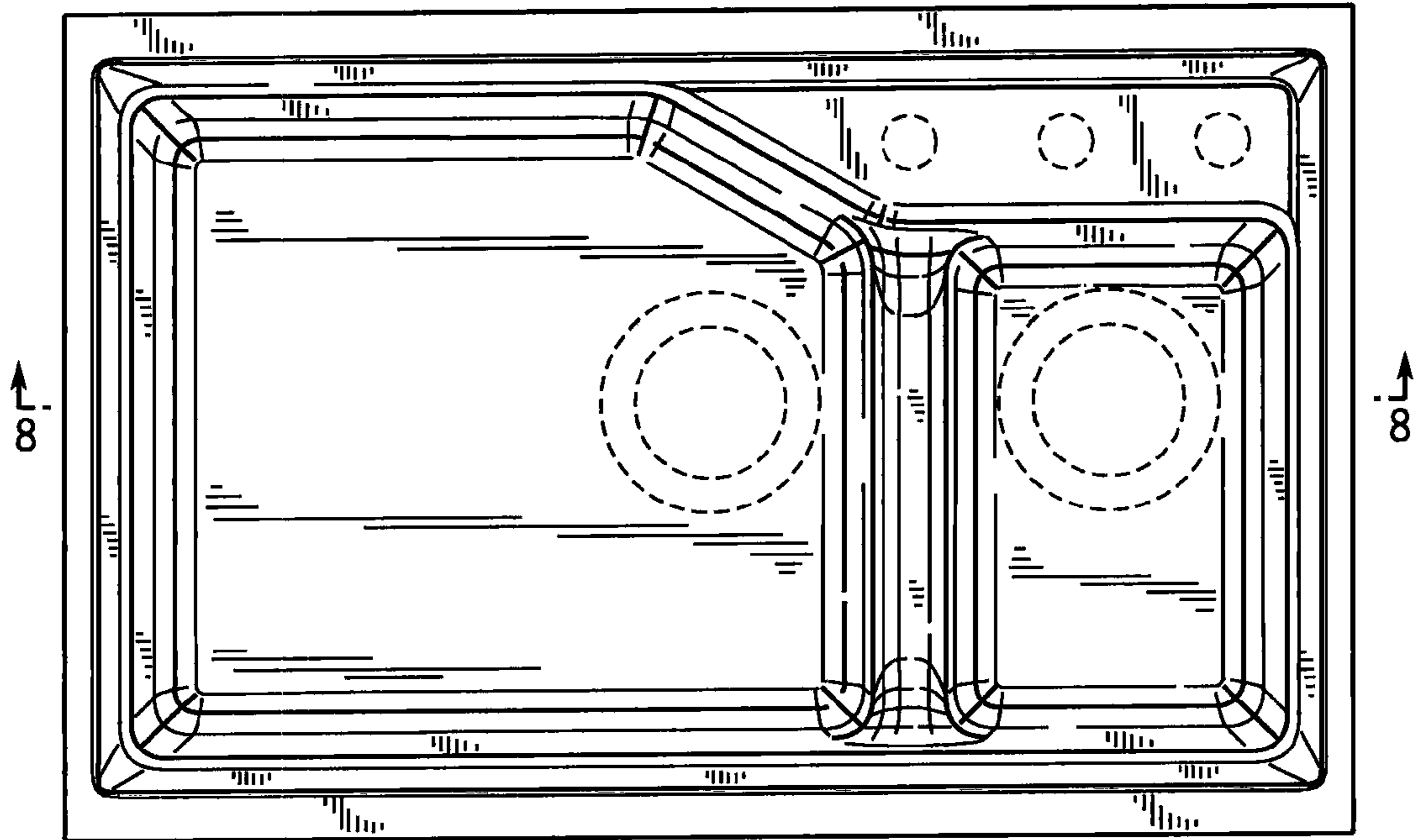


FIG. 2

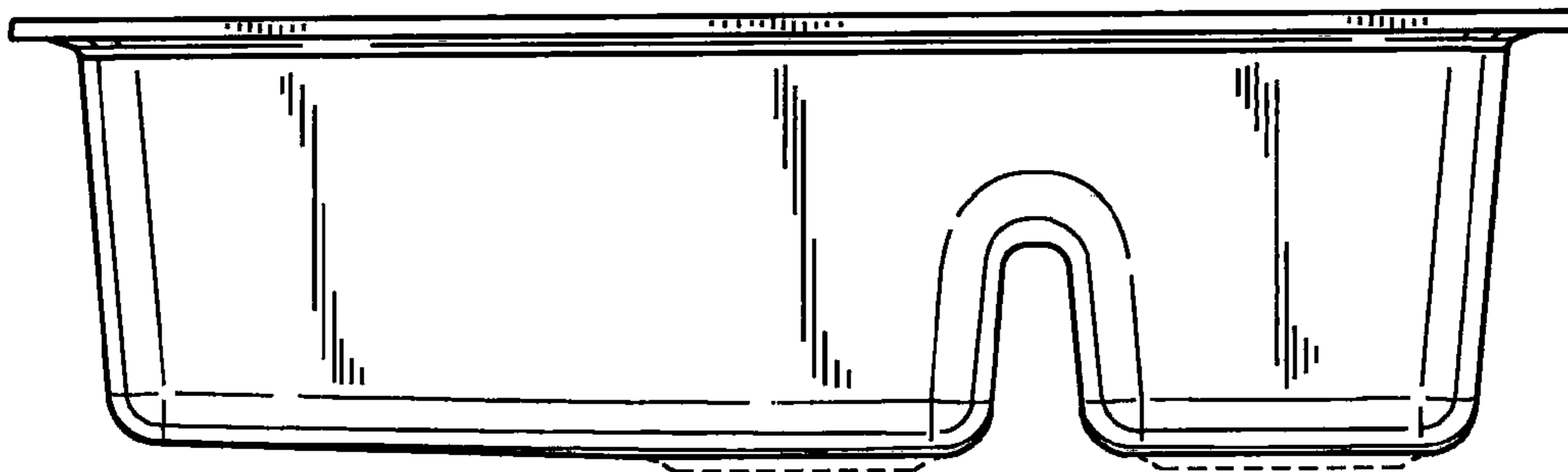


FIG. 3

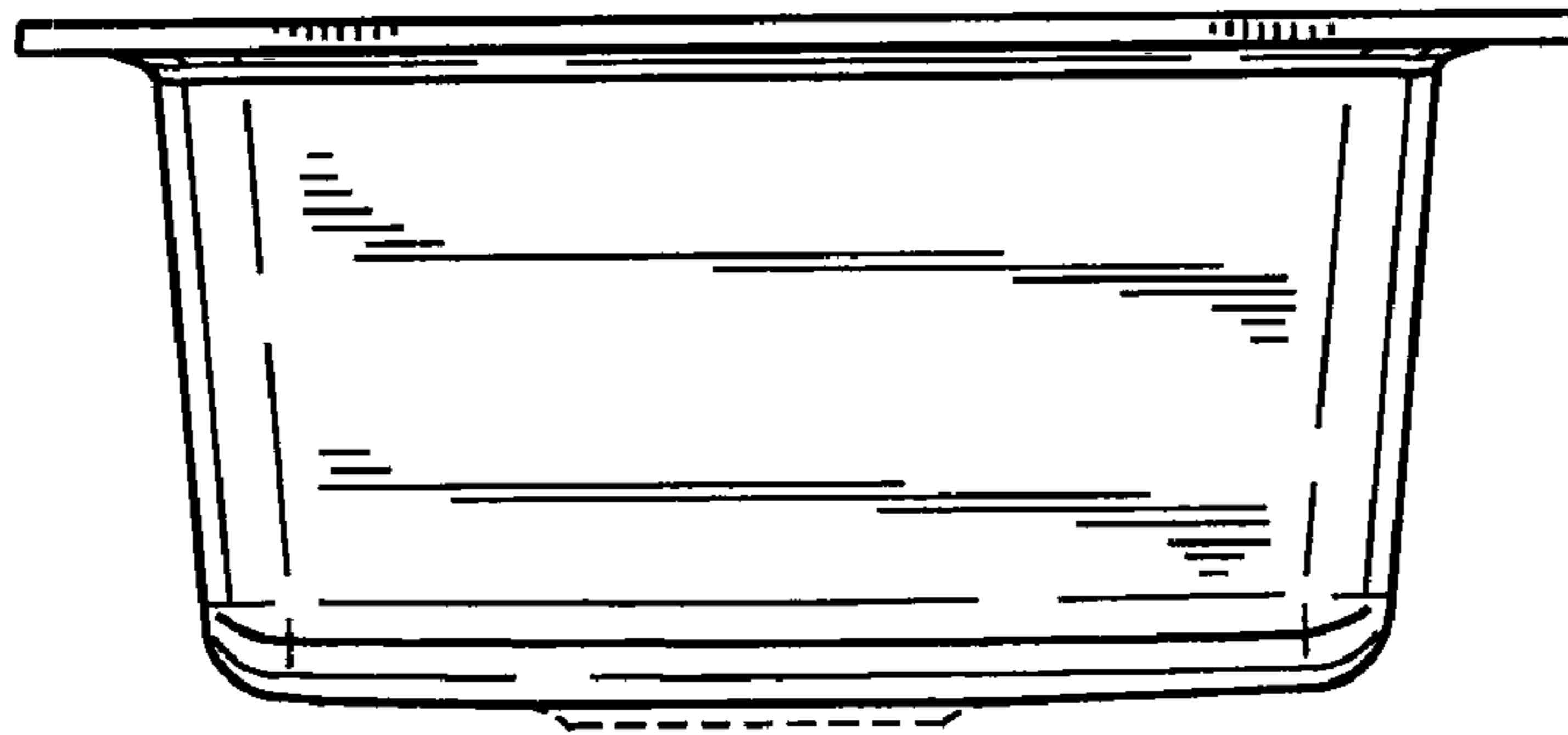


FIG. 4

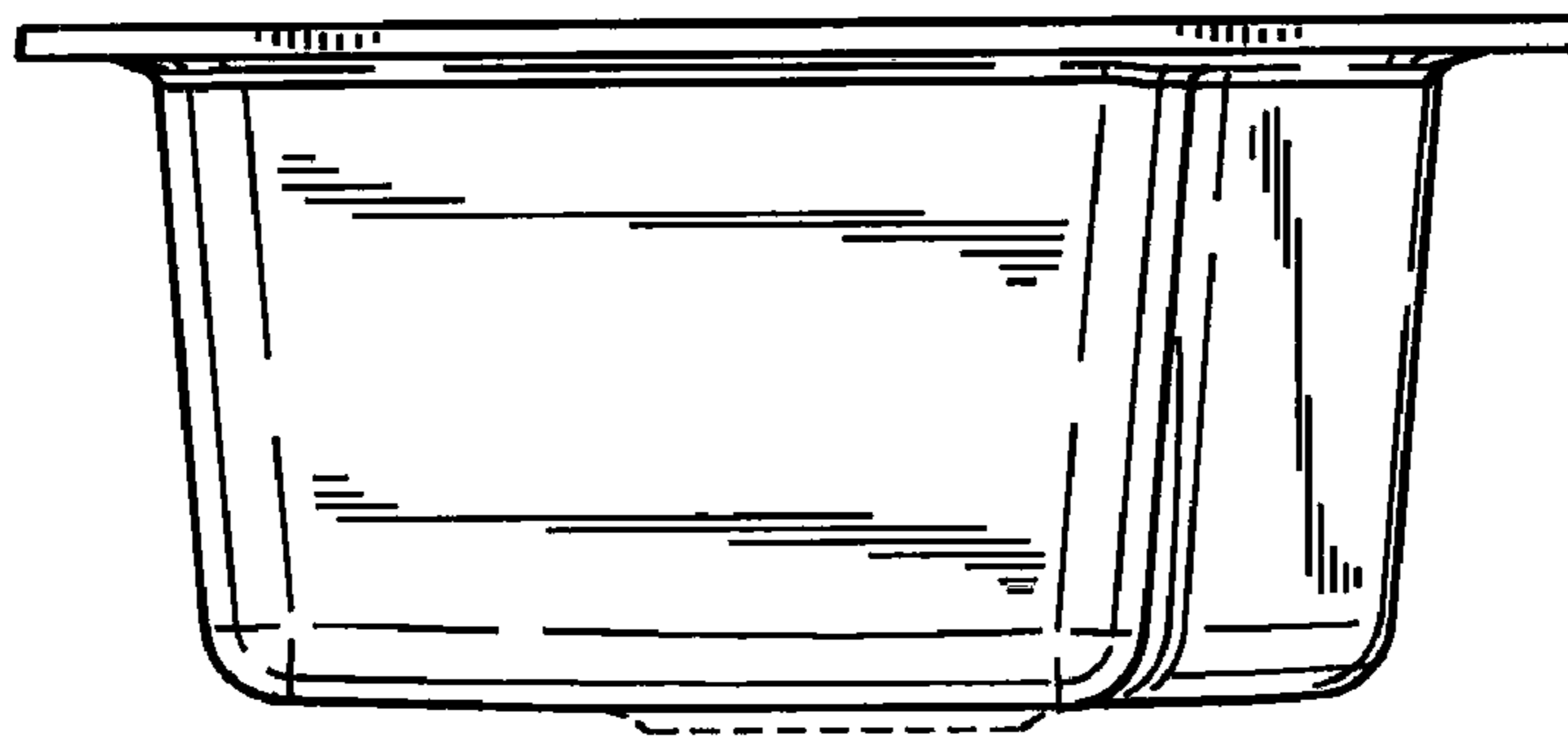


FIG. 5

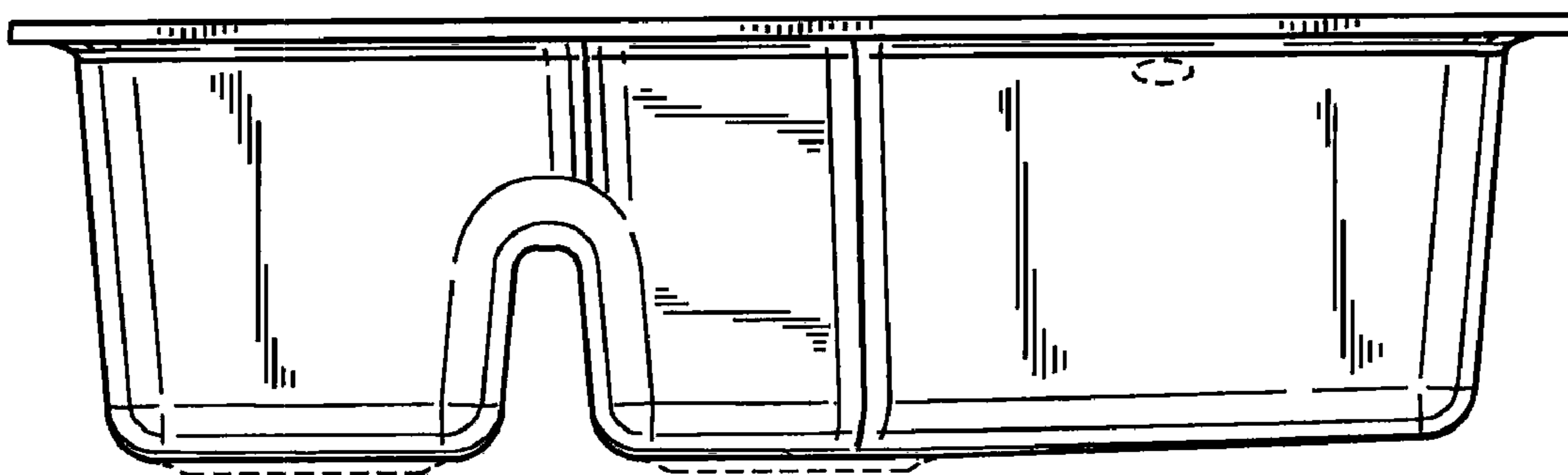


FIG. 6

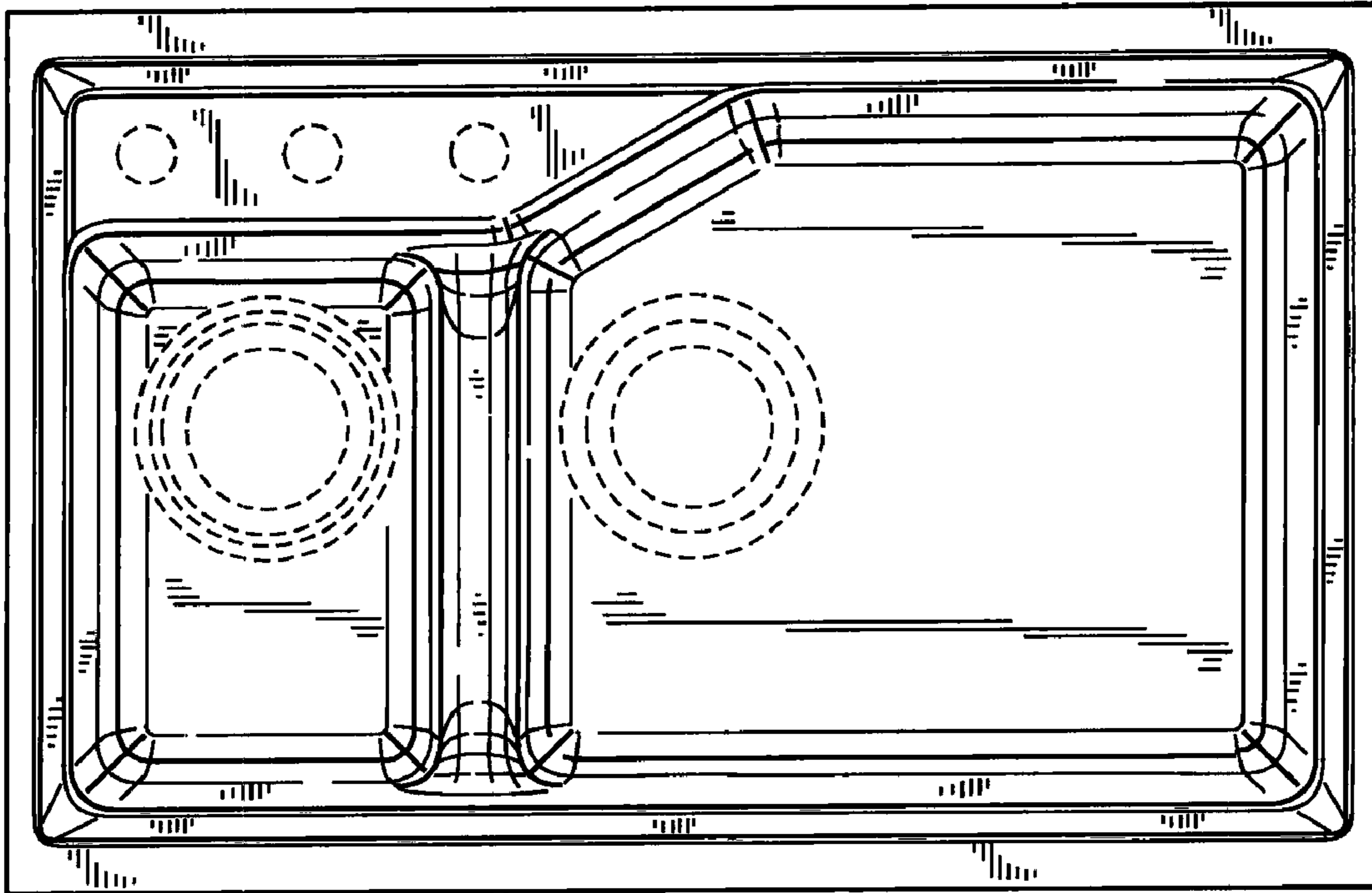


FIG. 7

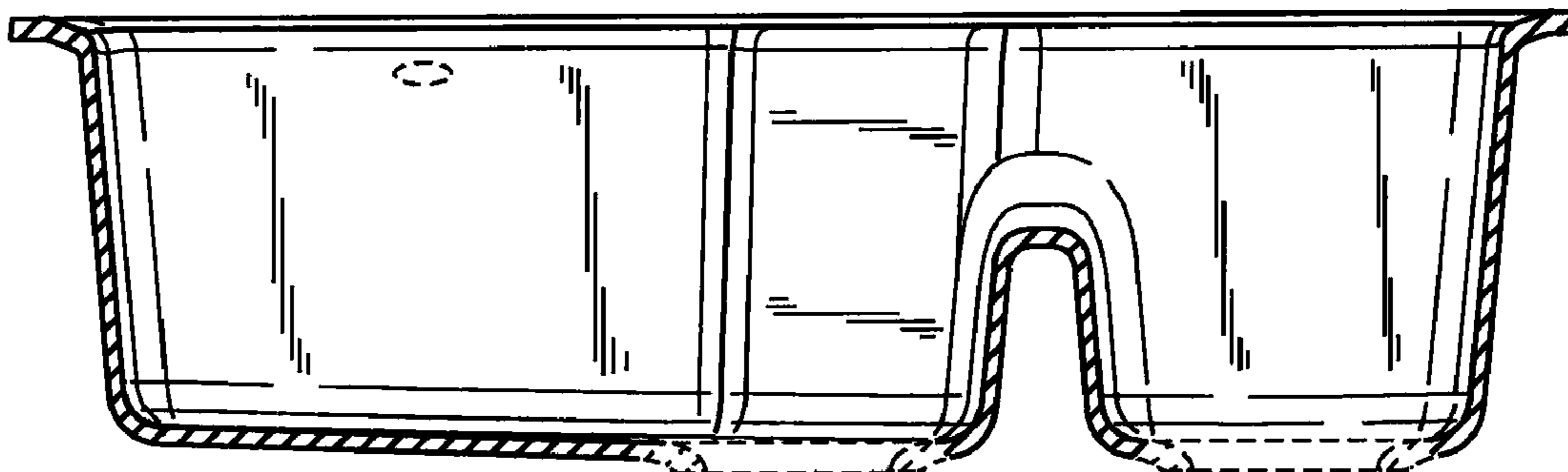


FIG. 8

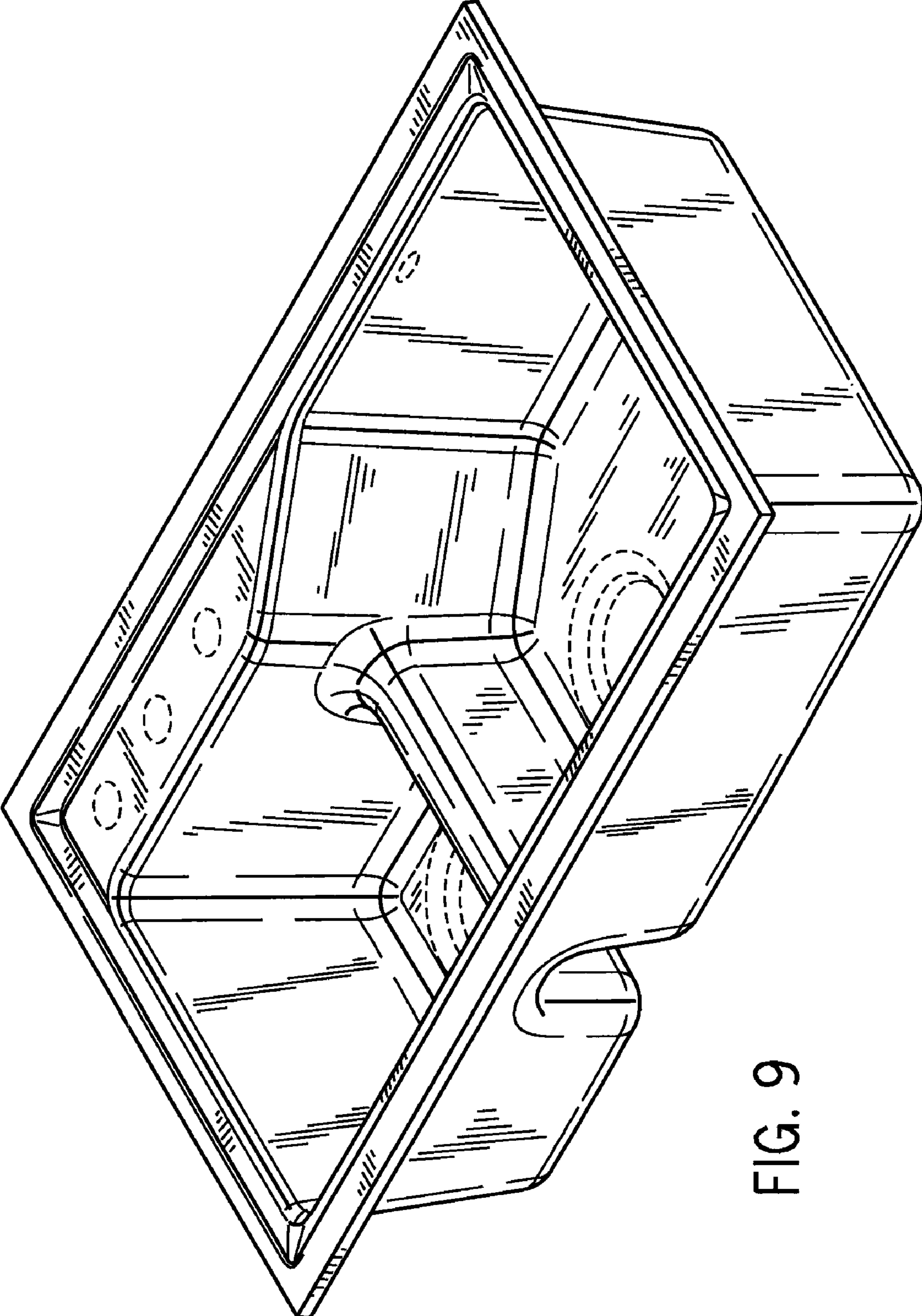


FIG. 9