



US00D610657S

(12) **United States Design Patent**
Torres

(10) **Patent No.:** **US D610,657 S**
(45) **Date of Patent:** **** Feb. 23, 2010**

(54) **ACCESSIBLE BATHTUB**

D573,700 S 7/2008 Clarke

(75) Inventor: **Raymond C. Torres**, Moreno Valley, CA
(US)

* cited by examiner

(73) Assignee: **Lasco Bathware, Inc.**, Anaheim, CA
(US)

Primary Examiner—Robert A Delehanty

(74) *Attorney, Agent, or Firm*—P. N. Dunlap, Esq.; J. A. Thurnau, Esq.; J. L. Mahurin, Esq.

(**) Term: **14 Years**

(57) **CLAIM**

(21) Appl. No.: **29/336,219**

The ornamental design for an accessible bathtub, as shown and described.

(22) Filed: **Apr. 29, 2009**

DESCRIPTION

(51) **LOC (9) Cl.** **23-02**

(52) **U.S. Cl.** **D23/279**

(58) **Field of Classification Search** D23/277,
D23/279–280.3, 283, 304–305; 4/538, 557–558;
D24/204–205

This application is related to U.S. Patent Application Ser. No. 12/432,543, titled “Accessible Bathtub” and filed on Apr. 29, 2009; and to U.S. Design Patent Application Ser. No. 29/336,220, titled “Accessible Bathtub” and filed on Apr. 29, 2009; and to U.S. Design Patent Application Ser. No. 29/336,221, titled “Door Bolster and Handles for Accessible Bathtub” and filed on Apr. 29, 2009; and to U.S. Design Patent Application Ser. No. 29/336,223, titled “Accessible Bathtub” and filed on Apr. 29, 2009.

See application file for complete search history.

FIG. 1 is a front perspective view of the claimed bathtub.

(56) **References Cited**

U.S. PATENT DOCUMENTS

| | | | | |
|---------------|---------|--------------------|-------|-----------|
| D274,641 S * | 7/1984 | Griffiths | | D23/280.1 |
| D286,679 S | 11/1986 | D’Innocente et al. | | |
| D318,908 S | 8/1991 | Reid | | |
| D326,508 S | 5/1992 | Sauter et al. | | |
| D333,513 S | 2/1993 | Levien | | |
| 5,184,358 A * | 2/1993 | Gruidel et al. | | 4/555 |
| D346,648 S | 5/1994 | Levien | | |
| D355,245 S | 2/1995 | Sills et al. | | |
| 5,446,929 A * | 9/1995 | Sills et al. | | 4/555 |
| 5,701,614 A | 12/1997 | Appleford et al. | | |
| D393,056 S | 3/1998 | Kolada | | |
| D407,147 S | 3/1999 | Formgren | | |
| D407,148 S | 3/1999 | Smith et al. | | |
| D421,793 S | 3/2000 | Svendsen | | |
| D468,814 S | 1/2003 | Thomas et al. | | |
| D511,567 S | 11/2005 | Beahn | | |
| D524,924 S | 7/2006 | Lanius | | |
| D536,769 S | 2/2007 | Lanius | | |

FIG. 2 is a rear perspective view.

FIG. 3 is a top plan view.

FIG. 4 is a front elevation view.

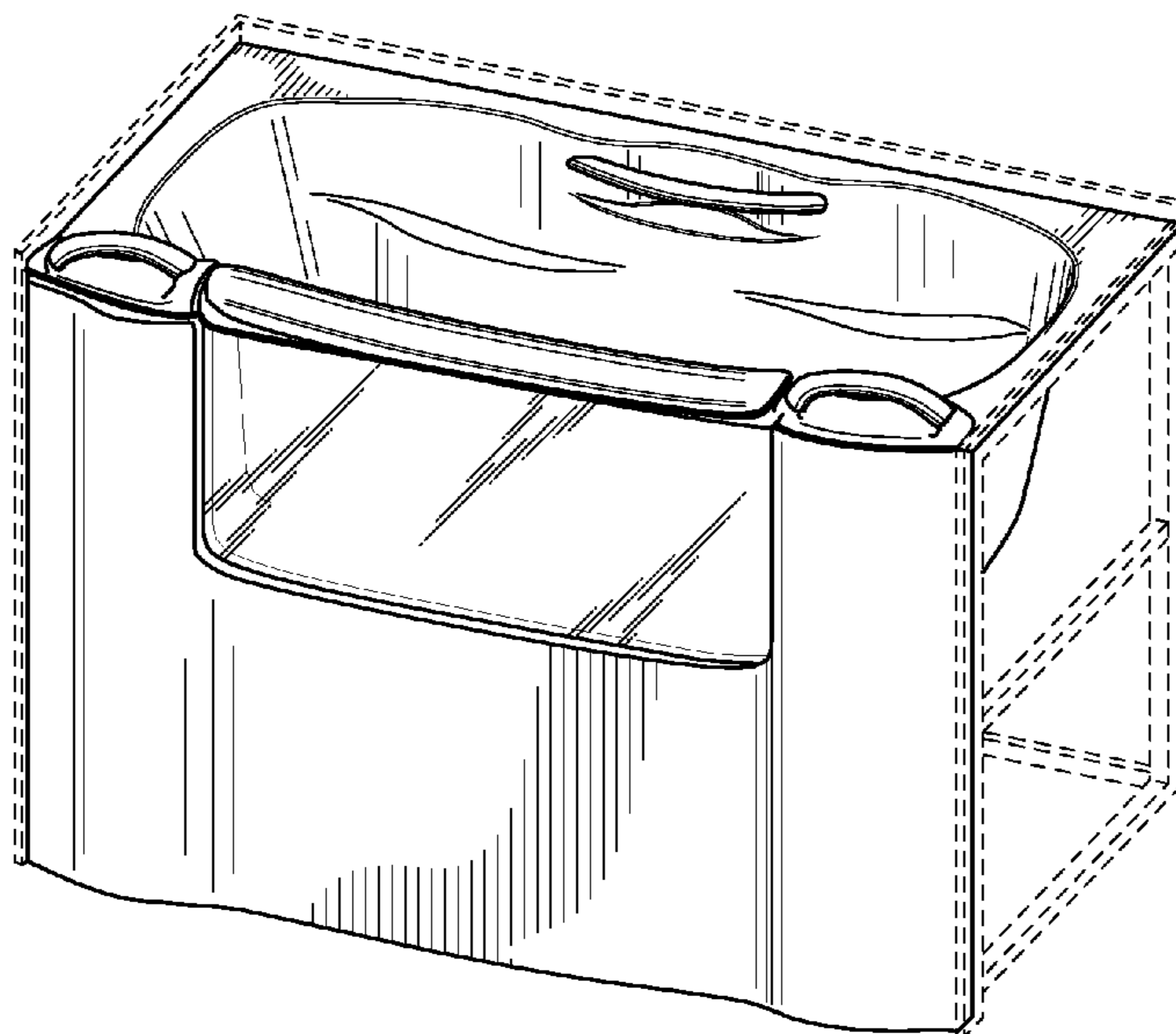
FIG. 5 is a side cross-sectional elevation at line 5—5 in FIG. 3.

FIG. 6 is a front cross-sectional elevation at line 6—6 in FIG. 3; and,

FIG. 7 is a rear cross-sectional elevation at line 7—7 in FIG. 3.

The side cross-sectional view at line 5—5 in FIG. 3 to the right would be the mirror image of FIG. 5. A bottom plan view would be devoid of surface ornamentation.

1 Claim, 3 Drawing Sheets



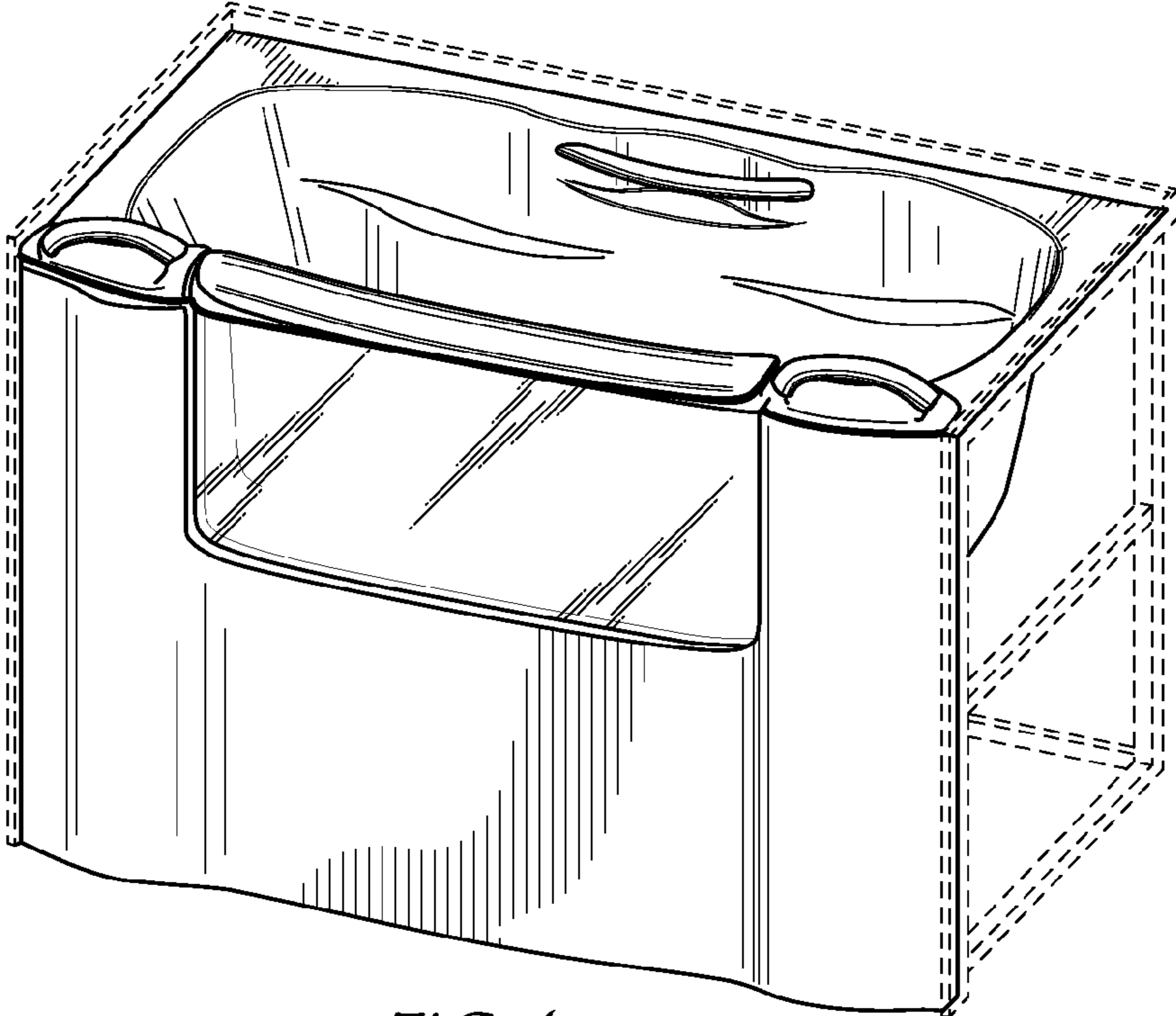


FIG. 1

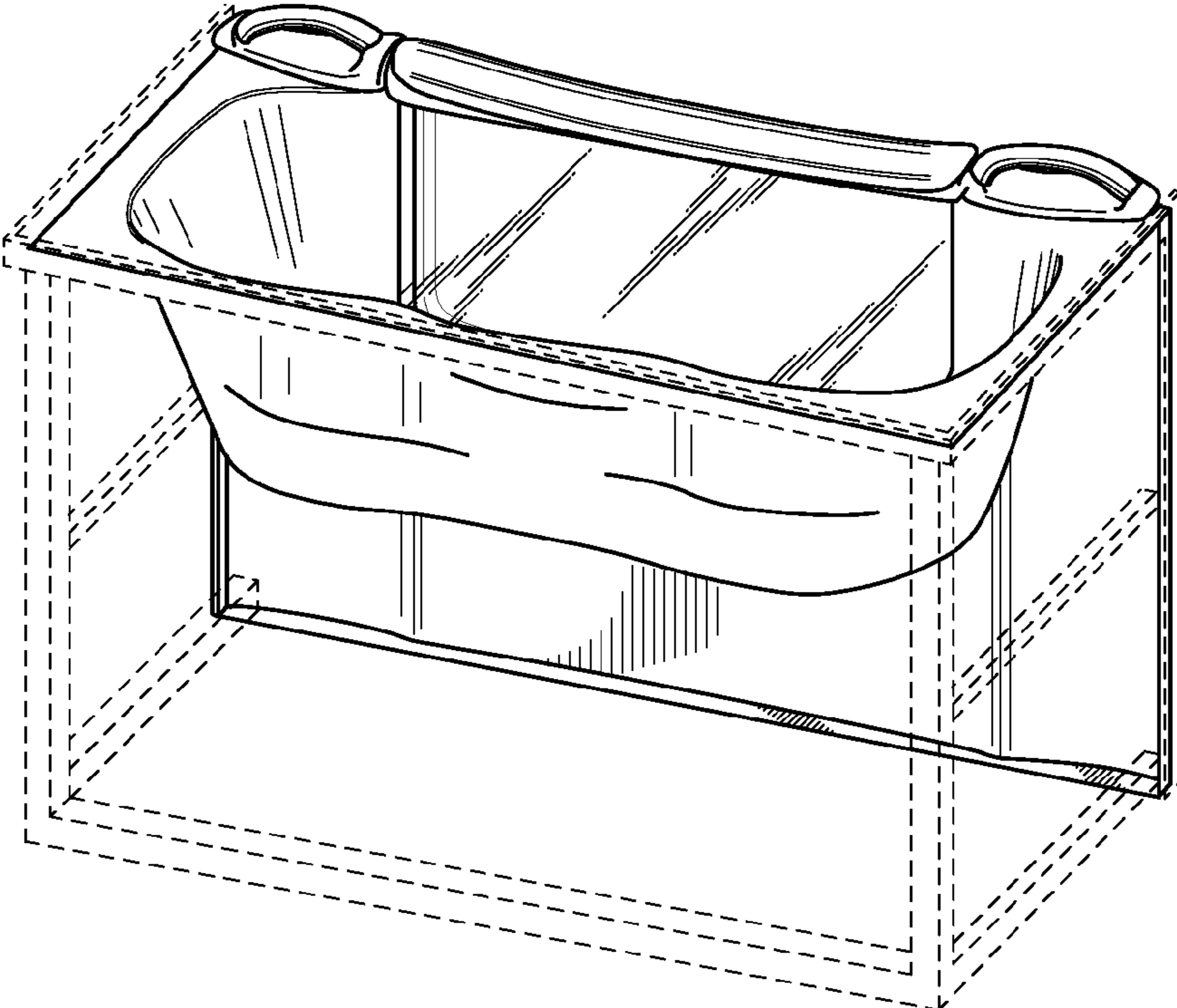


FIG. 2

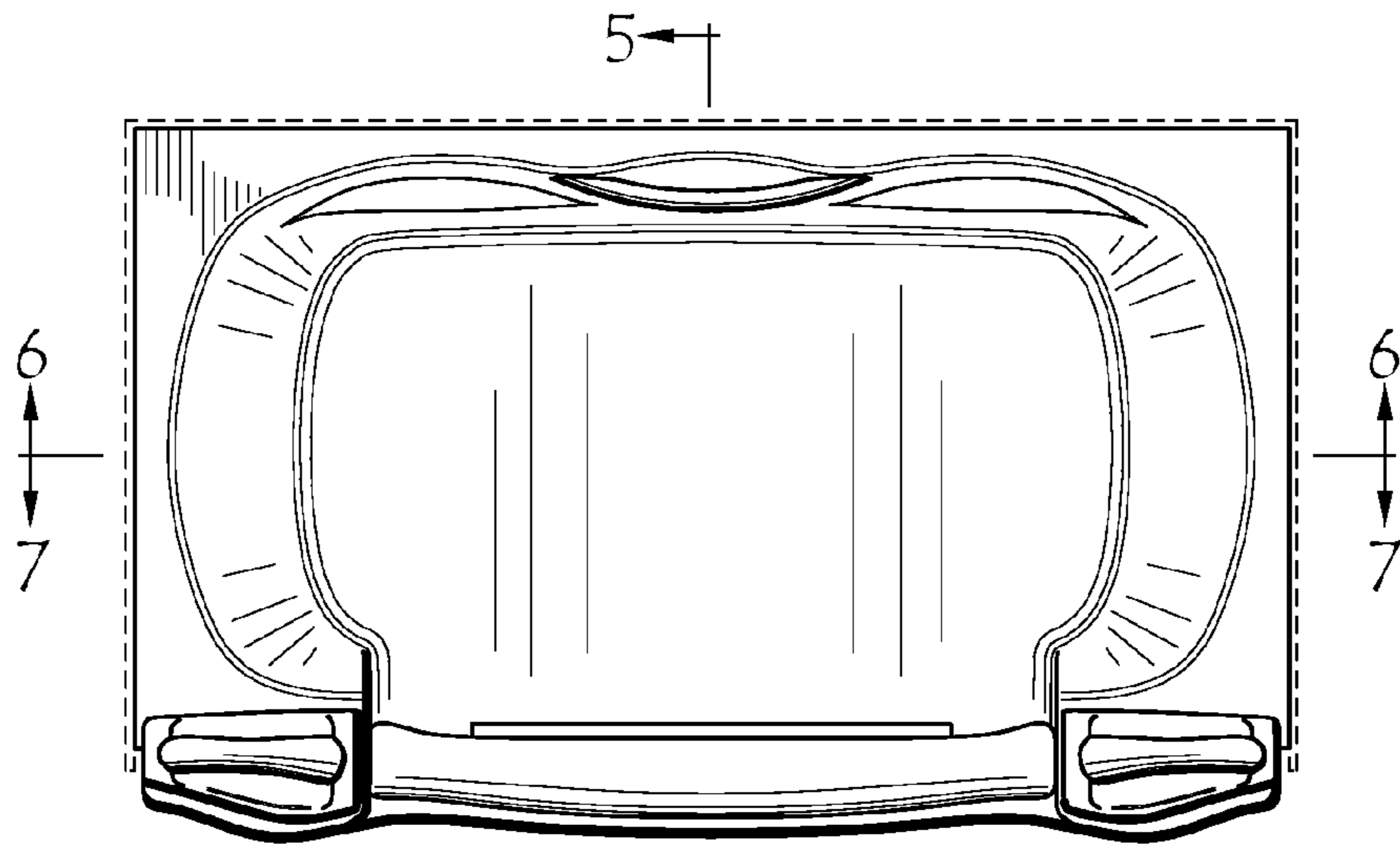


FIG. 3

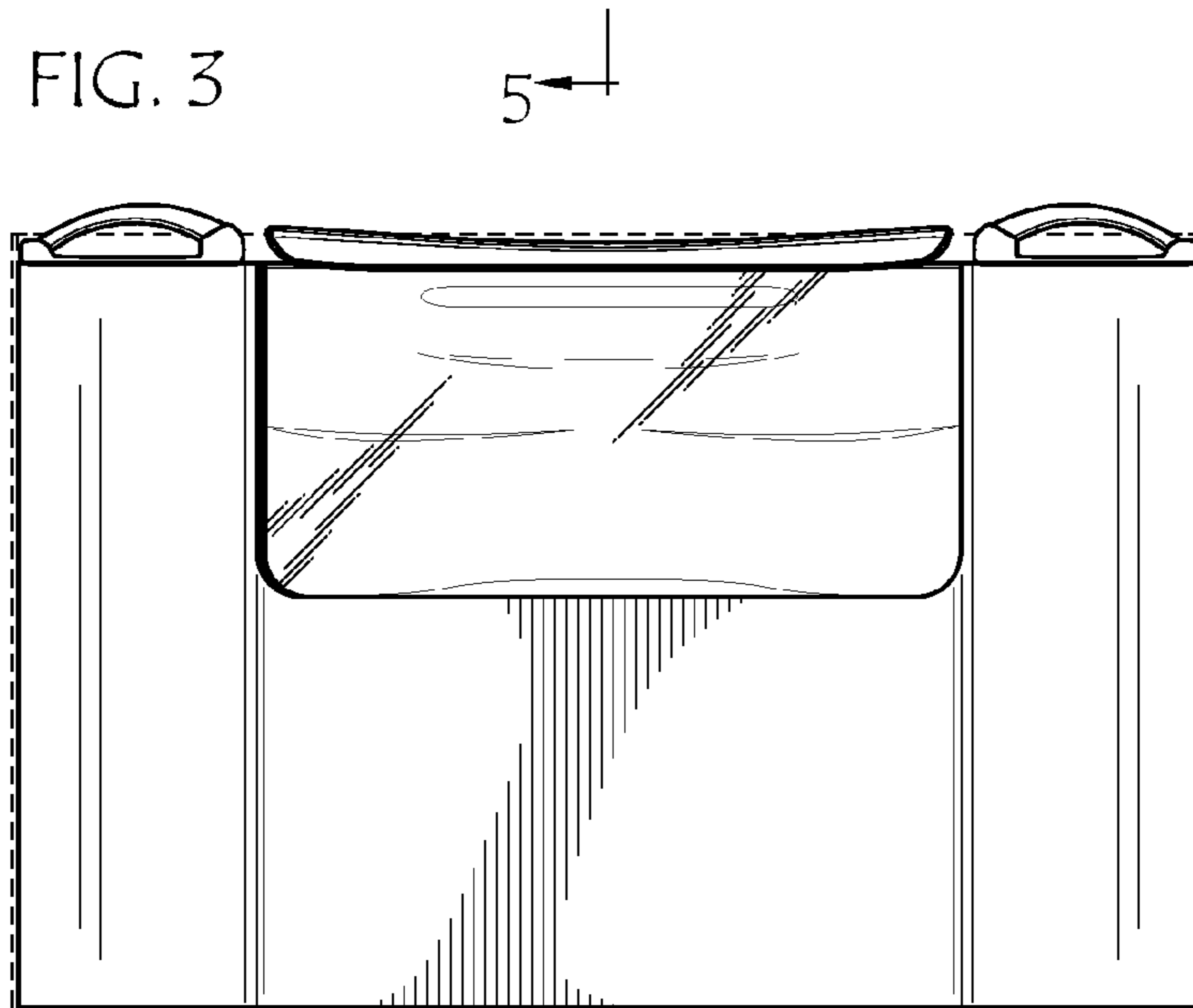


FIG. 4

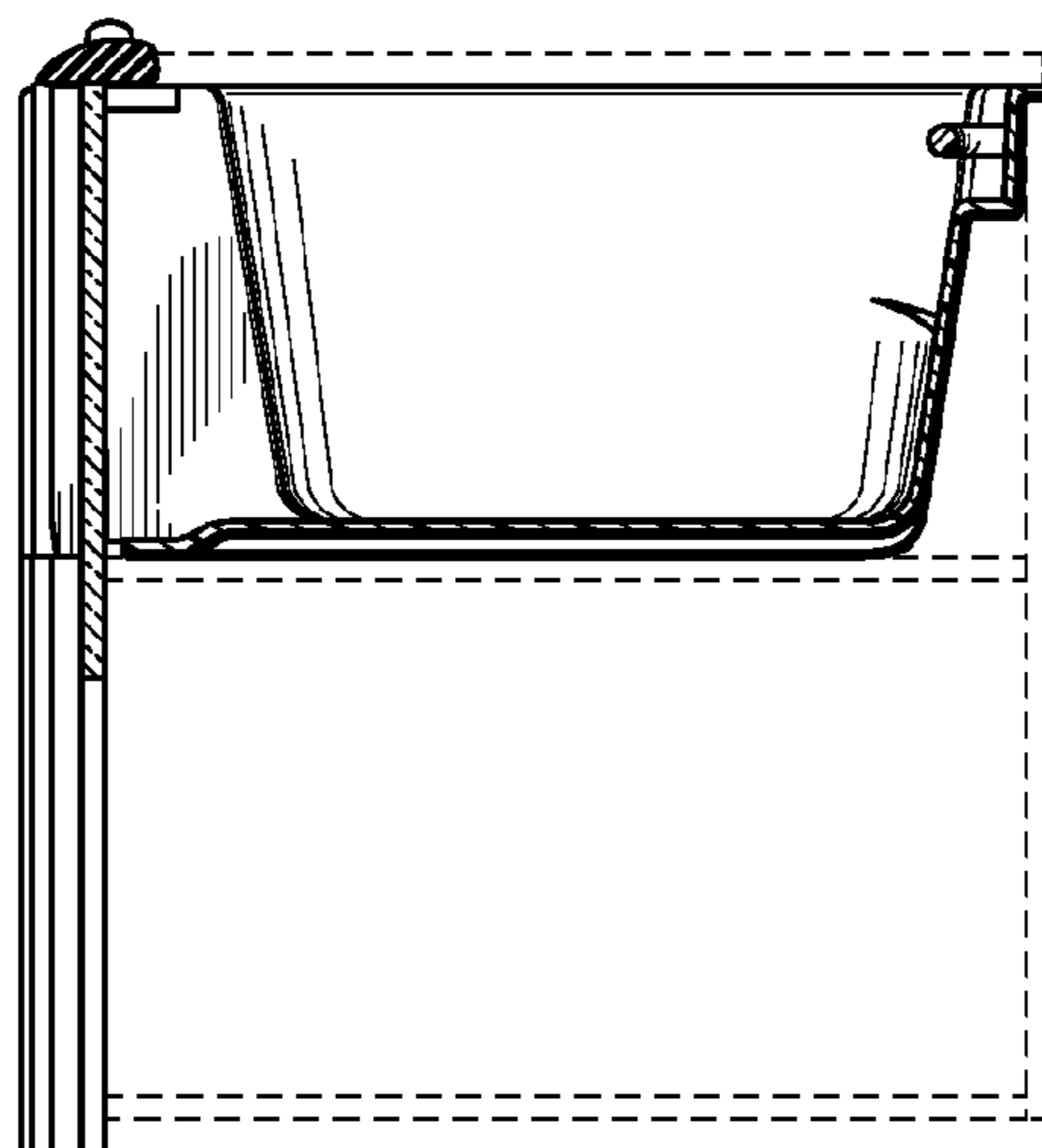


FIG. 5

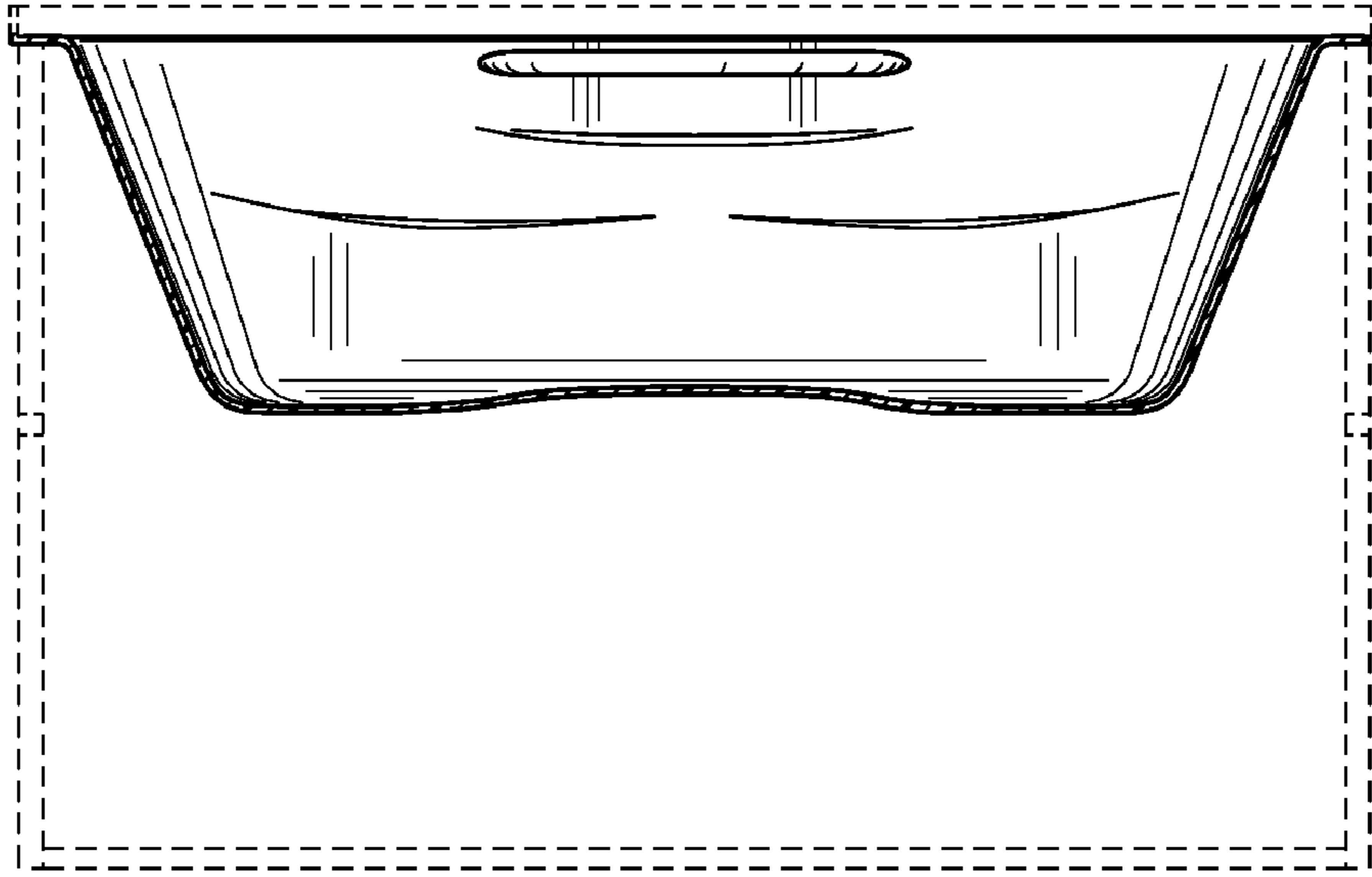


FIG. 6

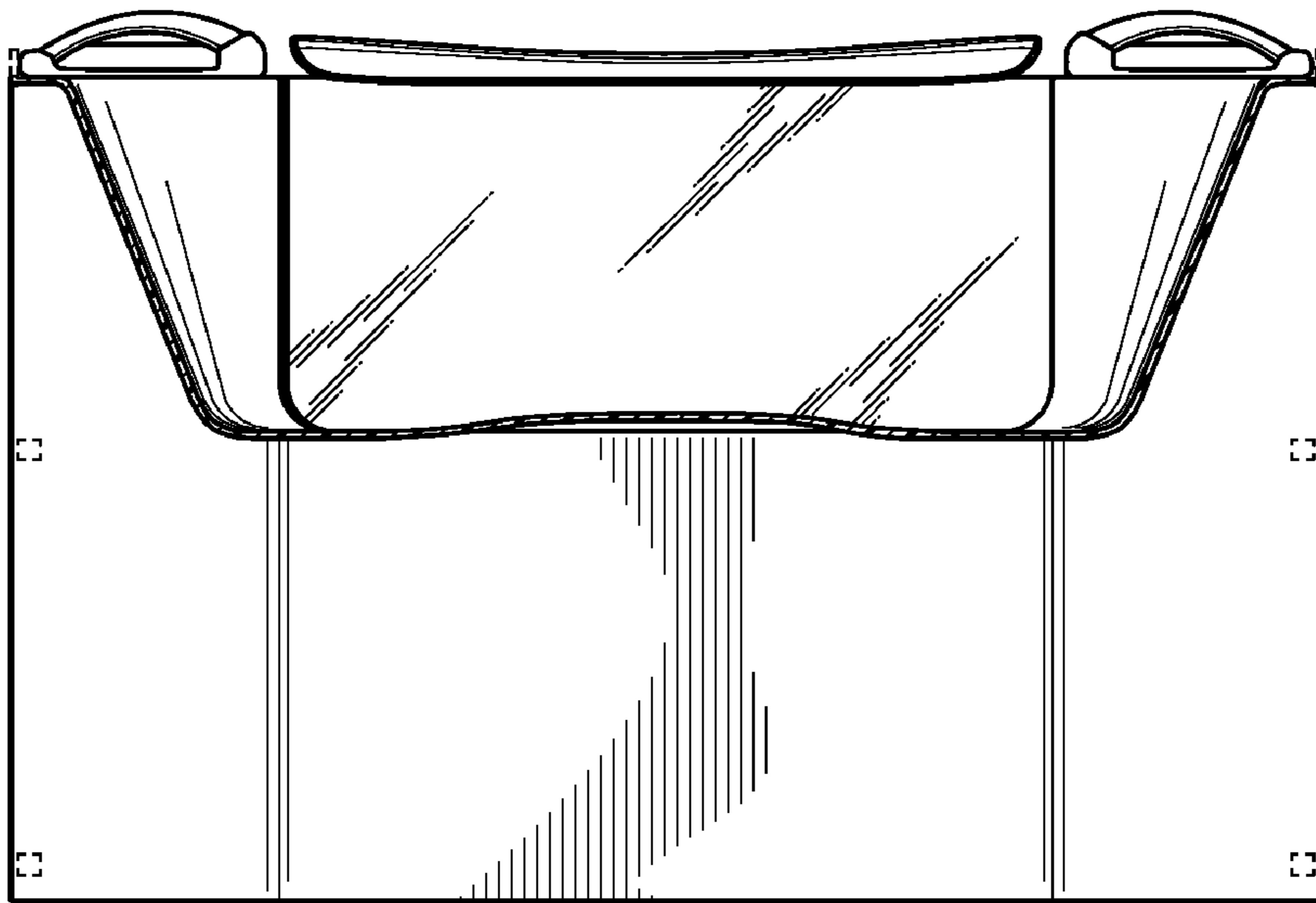


FIG. 7