



US00D610656S

(12) **United States Design Patent**
Terrell

(10) **Patent No.:** **US D610,656 S**

(45) **Date of Patent:** **** Feb. 23, 2010**

(54) **ADJUSTABLE ELEVATED BABY BATH WITH ENTERTAINMENT MOBILE**

(75) Inventor: **Jozette Lavon Terrell**, 2155 W. Century Blvd., Los Angeles, CA (US) 90047

(73) Assignee: **Jozette Lavon Terrell**, Los Angeles, CA (US)

(**) Term: **14 Years**

(21) Appl. No.: **29/304,336**

(22) Filed: **Feb. 28, 2008**

(51) **LOC (9) Cl.** **23-02**

(52) **U.S. Cl.** **D23/278; D21/467**

(58) **Field of Classification Search** D23/273,
D23/275-280.4, 304-306; D24/204-205;
D21/467, 519; 4/538, 573.1, 284, 289, 591;
D6/331

See application file for complete search history.

(56) **References Cited**

U.S. PATENT DOCUMENTS

92,364 A * 7/1869 Rider 4/587
1,096,672 A * 5/1914 Boniface et al. 4/586

D223,263 S * 4/1972 Goldstein D23/304
D326,292 S * 5/1992 Monneret D21/519
D461,854 S * 8/2002 Myers D21/467
D585,678 S * 2/2009 Thomas et al. D6/331
D596,304 S * 7/2009 St-Hilaire D24/204

* cited by examiner

Primary Examiner—Robert A Delehanty

(57) **CLAIM**

The ornamental design for an adjustable elevated baby bath with entertainment mobile, as shown and described.

DESCRIPTION

FIG. 1 is an exploded perspective view of a adjustable elevated baby bath with entertainment mobile, showing my new design;

FIG. 2 is a front elevational view of the invention;

FIG. 3 is a rear elevational view of the invention;

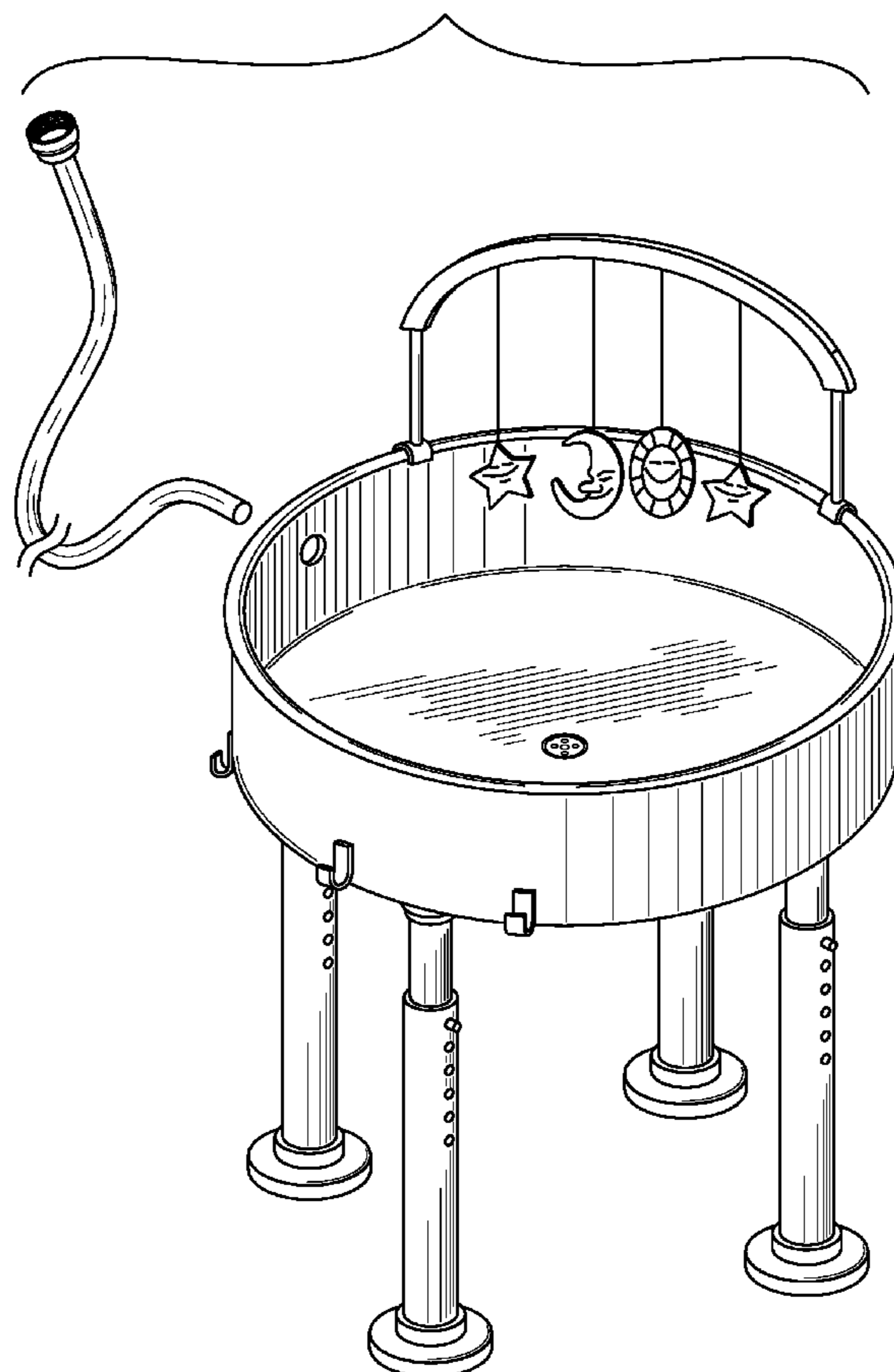
FIG. 4 is a left-side elevational view of the invention;

FIG. 5 is a right-side elevational view of the invention;

FIG. 6 is a top plan view of the invention; and,

FIG. 7 is a bottom plan view of the invention.

1 Claim, 4 Drawing Sheets



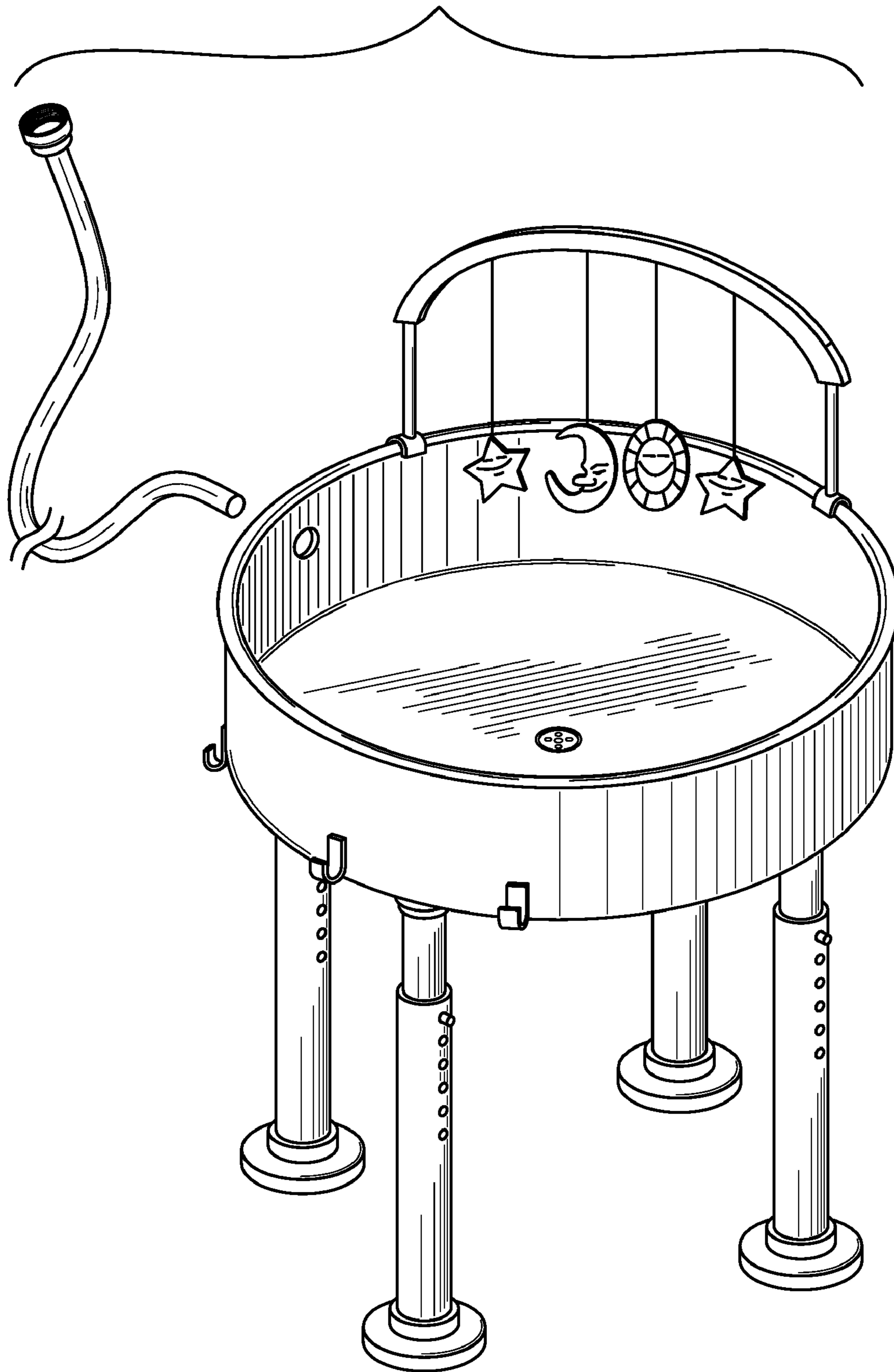


FIG. 1

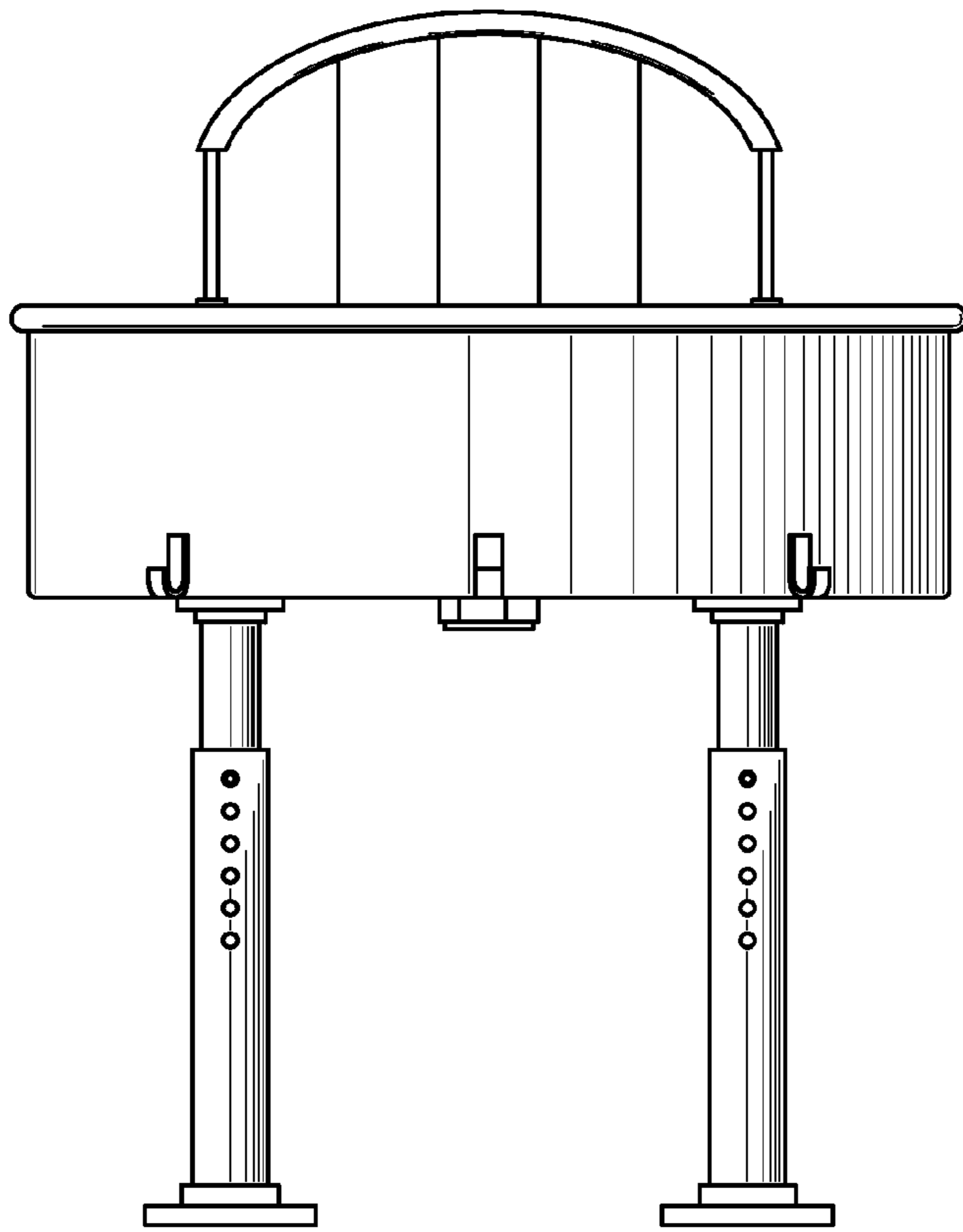


FIG. 2

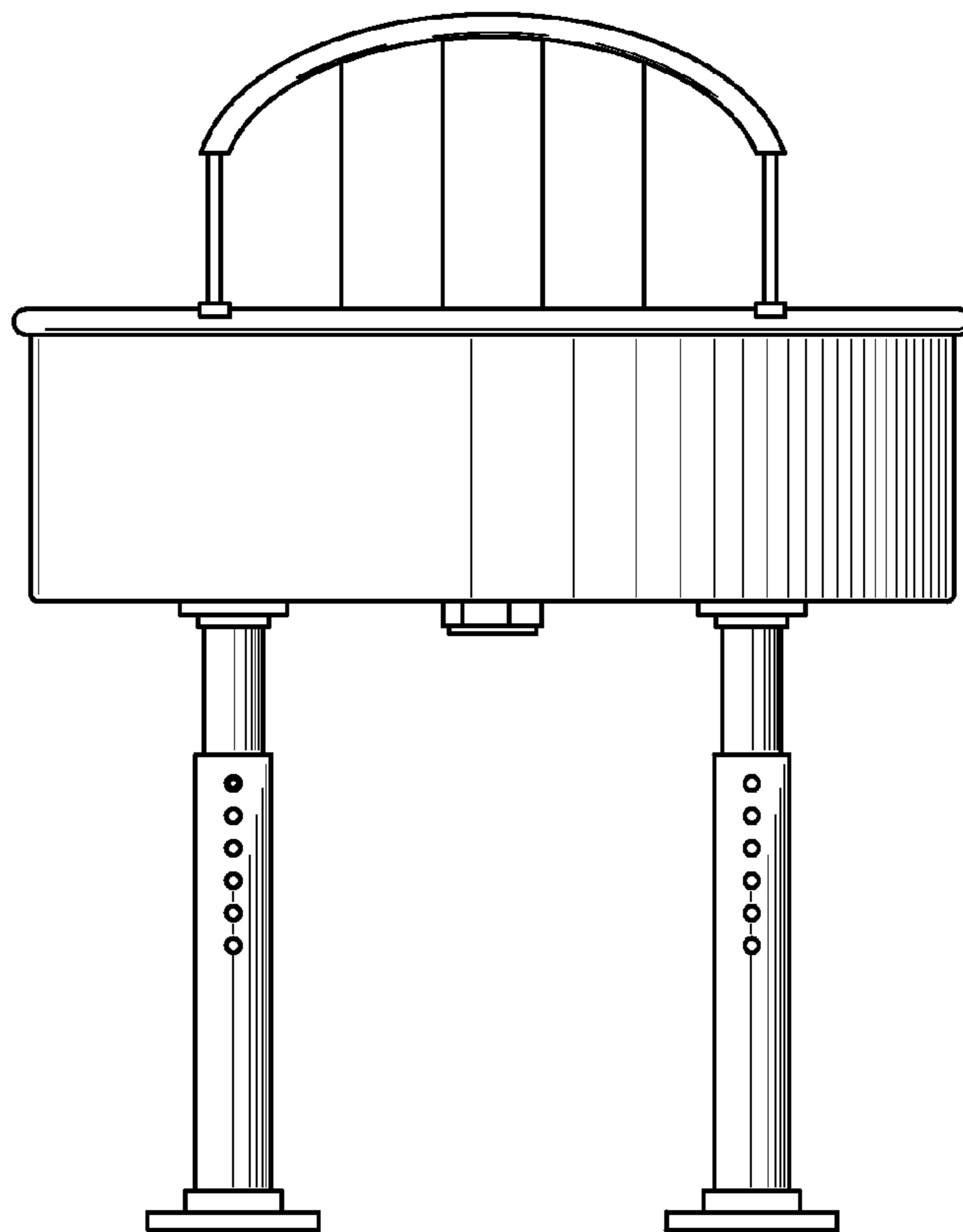


FIG. 3

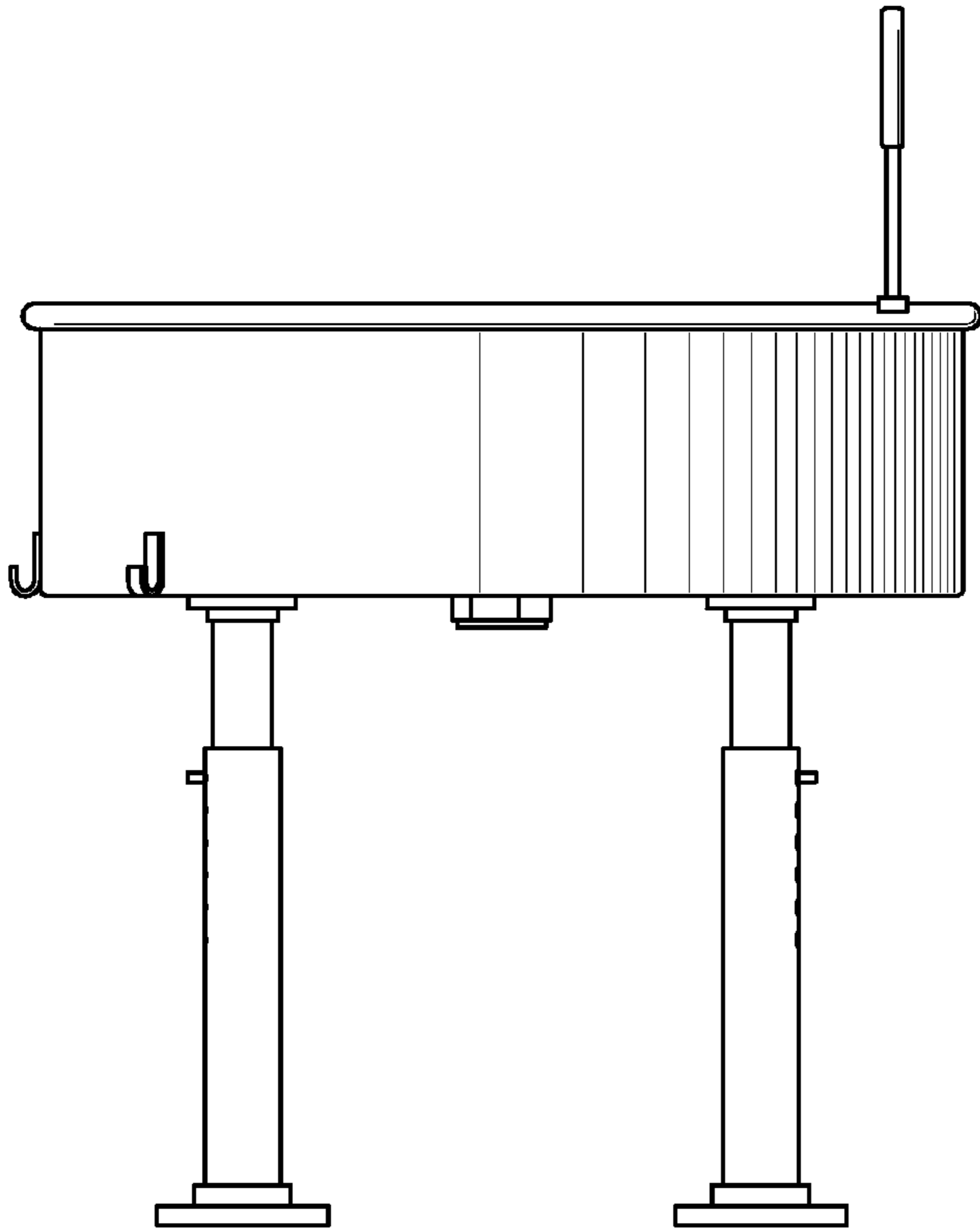


FIG. 4

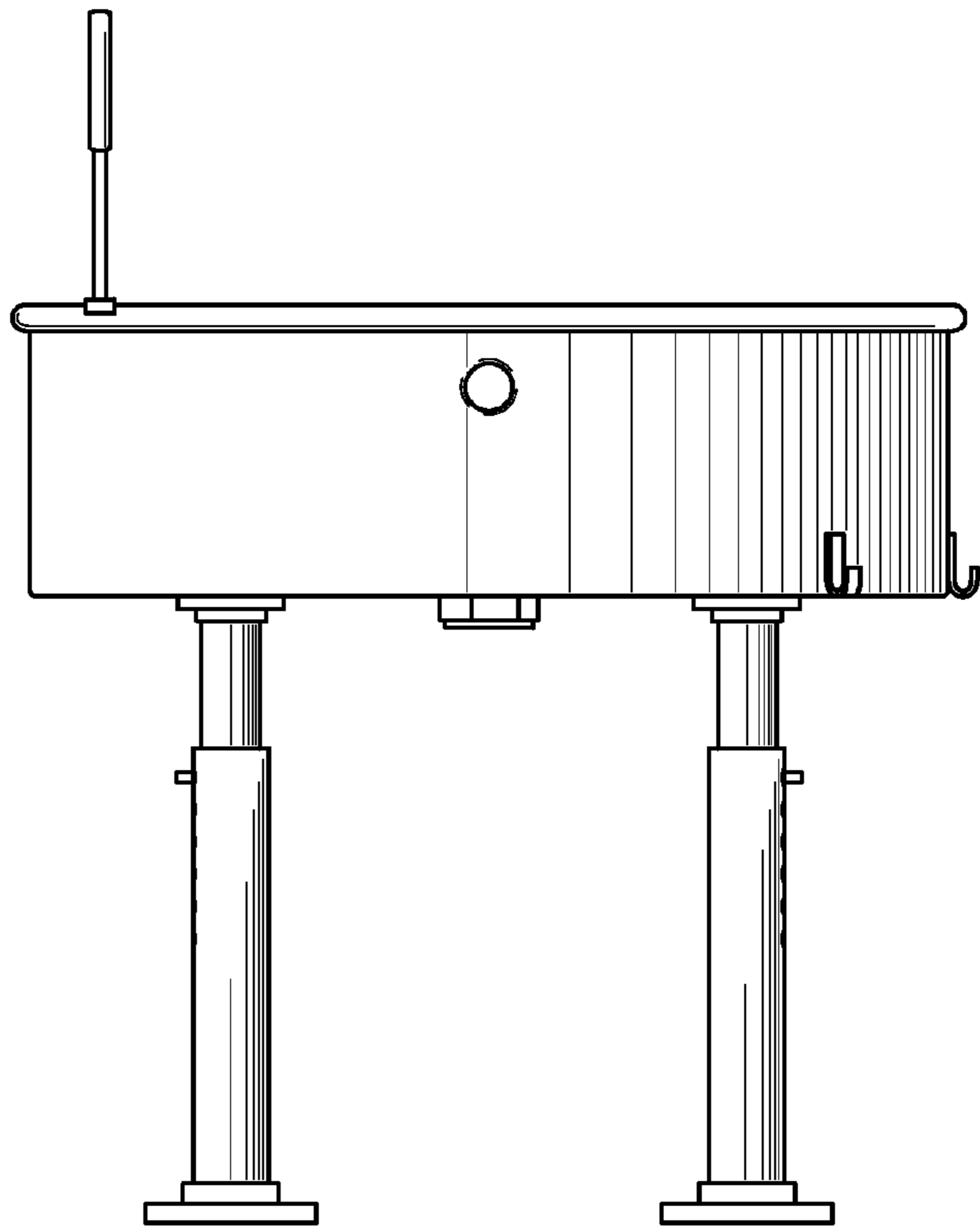


FIG. 5

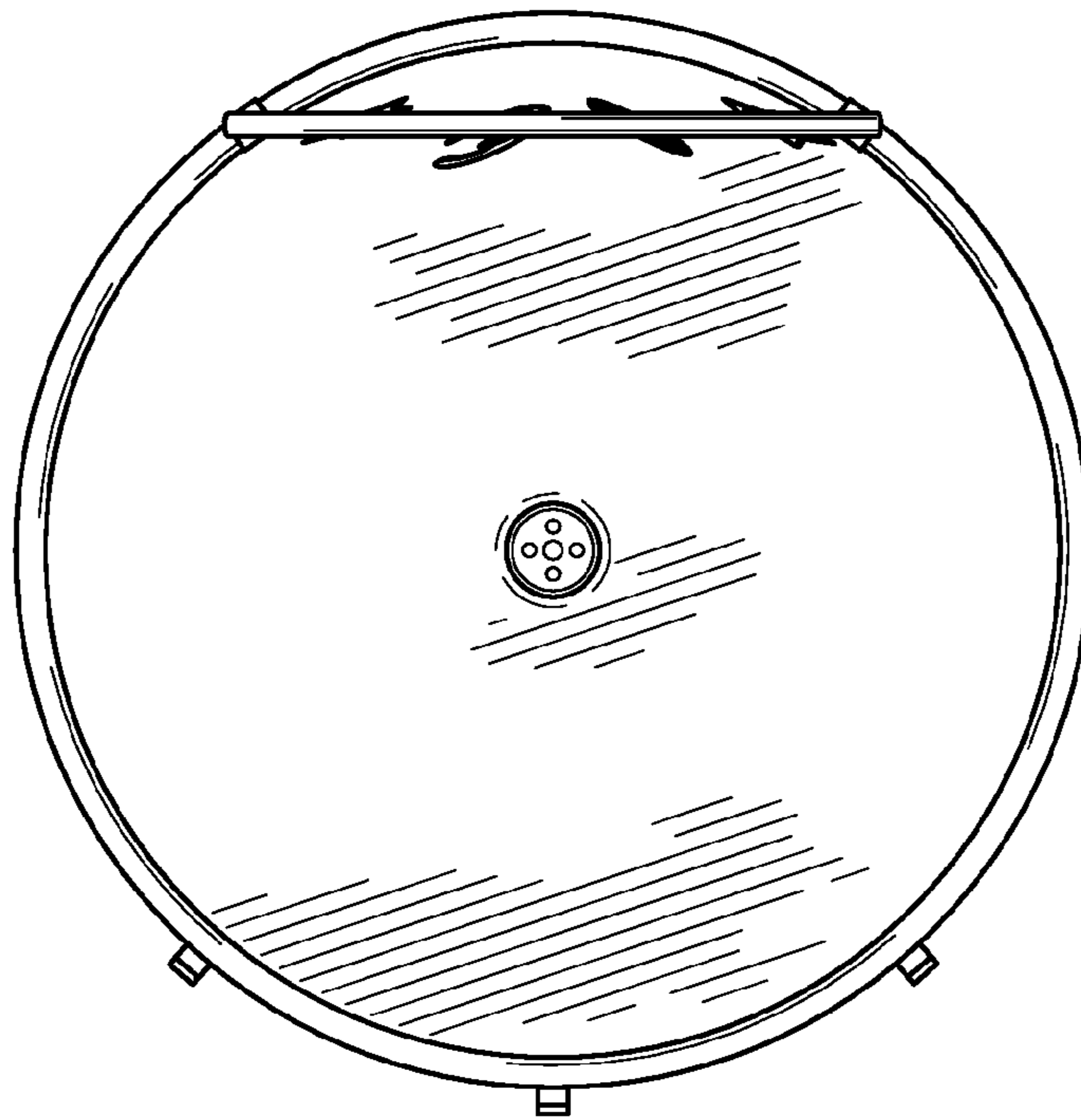


FIG. 6

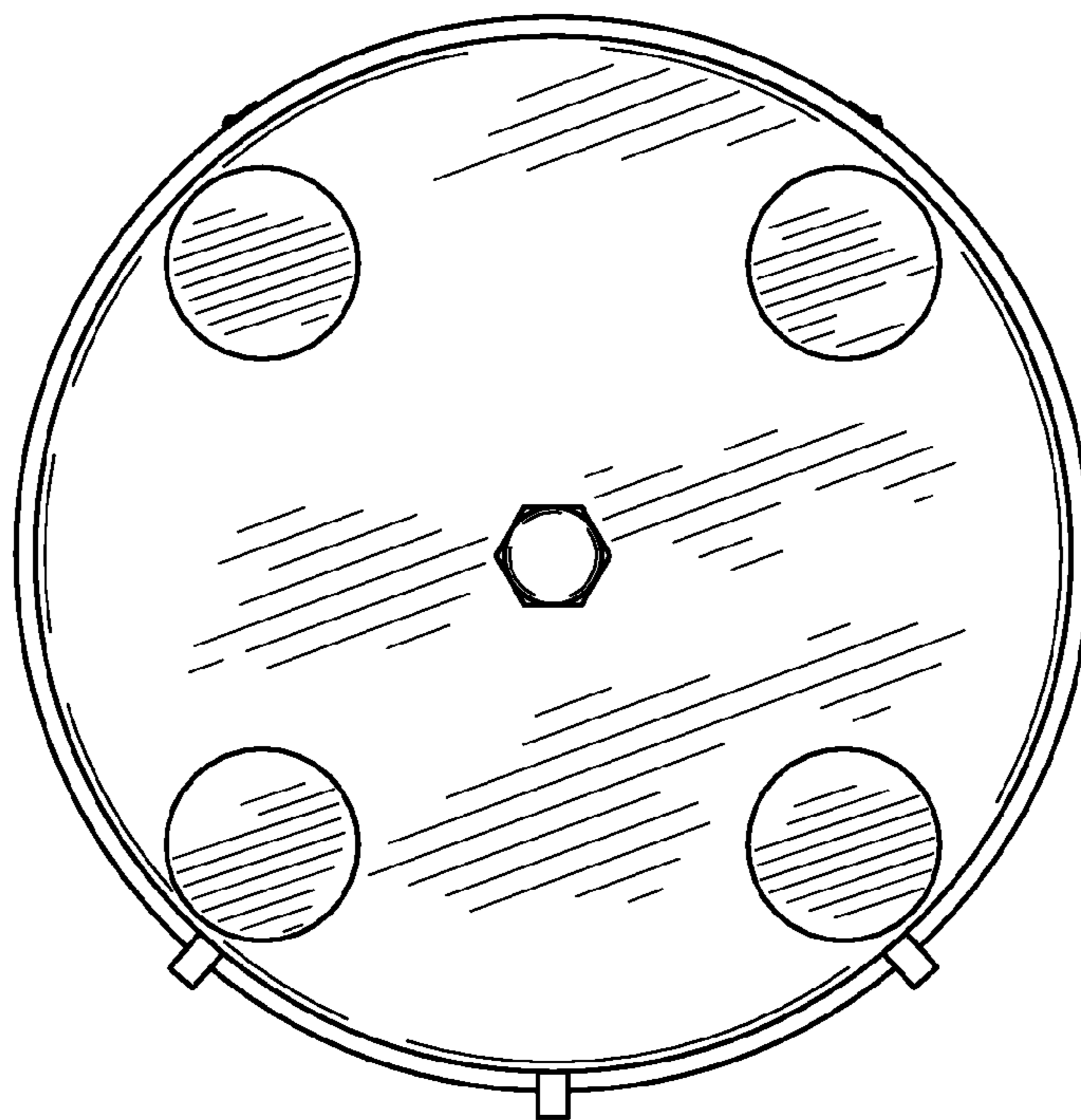


FIG. 7