



US00D610655S

(12) **United States Design Patent**
Schmidt

(10) **Patent No.:** **US D610,655 S**

(45) **Date of Patent:** **** Feb. 23, 2010**

(54) **PNEUMATIC ACTUATOR**

(75) Inventor: **Karoline Schmidt**, Esslingen (DE)

(73) Assignee: **Festo AG & Co. KG**, Esslingen (DE)

(**) Term: **14 Years**

(21) Appl. No.: **29/301,974**

(22) Filed: **Mar. 26, 2008**

(30) **Foreign Application Priority Data**

Nov. 27, 2007 (EM) 000832845

(51) **LOC (9) Cl.** **23-01**

(52) **U.S. Cl.** **D23/249**

(58) **Field of Classification Search** D23/233-237,
D23/244-249; D15/143, 199; 137/315.35,
137/554-556; 251/14, 31, 58

See application file for complete search history.

(56) **References Cited**

U.S. PATENT DOCUMENTS

3,982,725 A * 9/1976 Clark 251/14
D246,907 S * 1/1978 Fialkowski et al. D23/233
D273,699 S * 5/1984 Loup et al. D23/248
D286,907 S * 11/1986 Hilpert et al. D23/249
D287,268 S * 12/1986 Hilpert et al. D23/249
D295,280 S * 4/1988 Walser D23/249
D368,668 S * 4/1996 Wildman et al. D10/83
5,564,461 A * 10/1996 Raymond et al. 137/315.35

6,173,740 B1 * 1/2001 Marinoni et al. 137/554
D494,659 S * 8/2004 Marinoni et al. D23/249
D521,598 S * 5/2006 Bates et al. D23/233
D521,599 S * 5/2006 Bates et al. D23/233
D567,186 S * 4/2008 Wechtenhiser et al. D13/158
D572,281 S * 7/2008 Wei et al. D15/143

OTHER PUBLICATIONS

Festo Products 2002/2003 "Drives", pp. 1.5-46, 1.5-58, 1.5-59, 1.5-72, 1.5-73 and 1.5-78, published 2001.

* cited by examiner

Primary Examiner—Cathron C. Brooks

Assistant Examiner—Maurice Stevens

(74) *Attorney, Agent, or Firm*—Hoffmann & Baron, LLP

(57) **CLAIM**

The ornamental design for a pneumatic actuator, as shown and described.

DESCRIPTION

FIG. 1 is a top perspective view of a pneumatic actuator showing my new design;

FIG. 2 is a left side view thereof;

FIG. 3 is a right side view thereof;

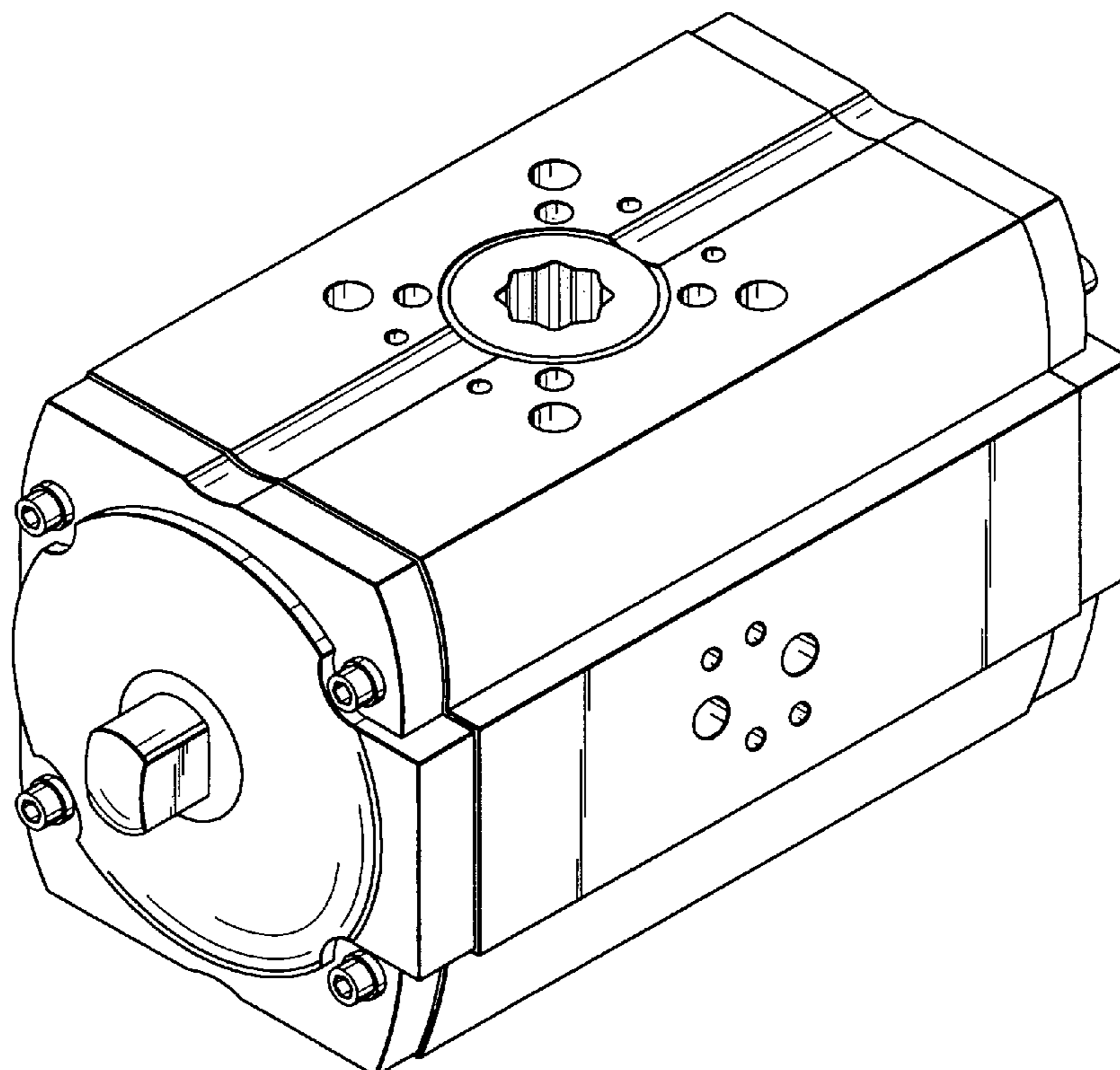
FIG. 4 is a front view thereof;

FIG. 5 is a rear view thereof;

FIG. 6 is a top plan view thereof; and,

FIG. 7 is a bottom plan view thereof.

1 Claim, 4 Drawing Sheets



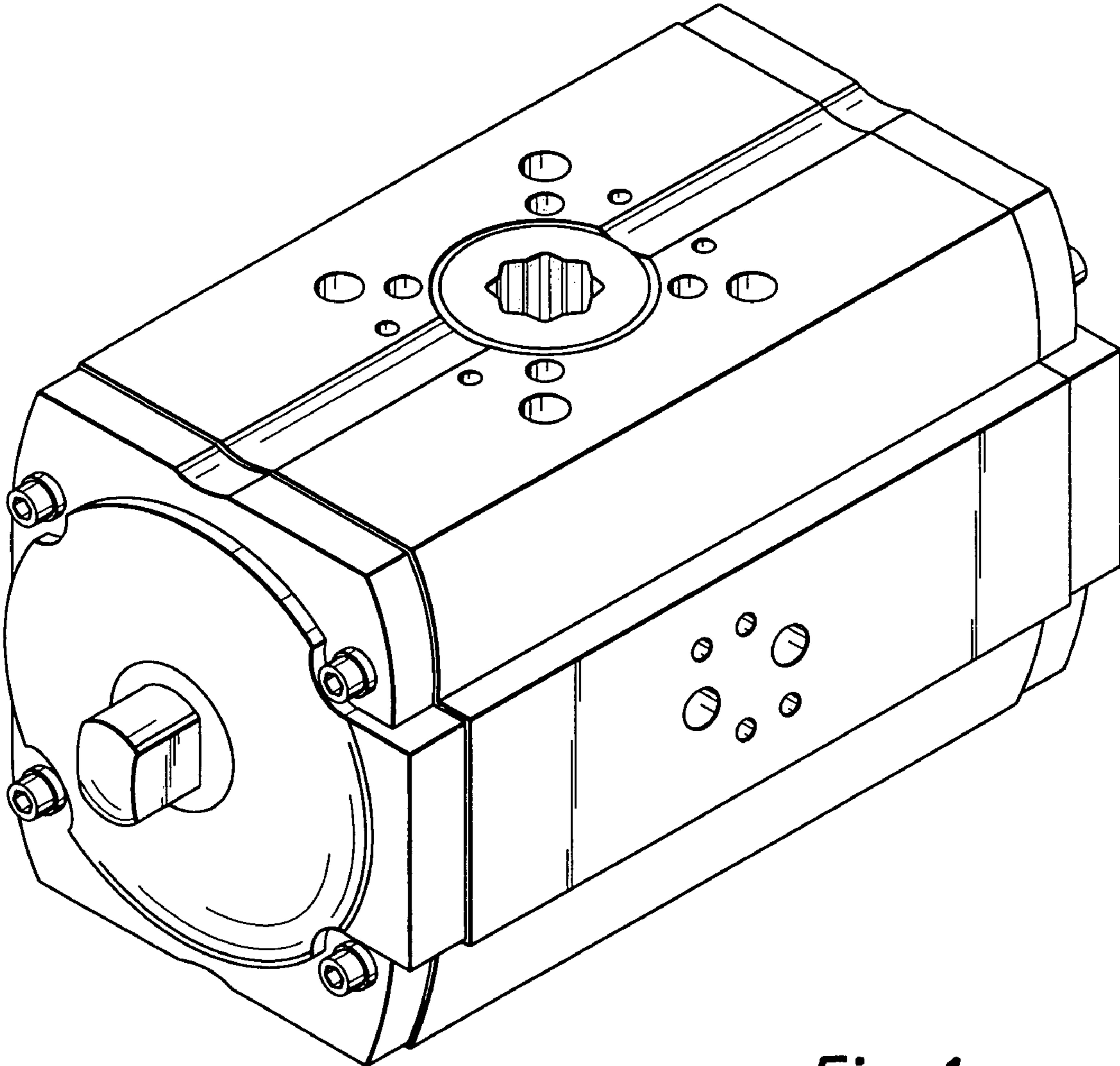


Fig. 1

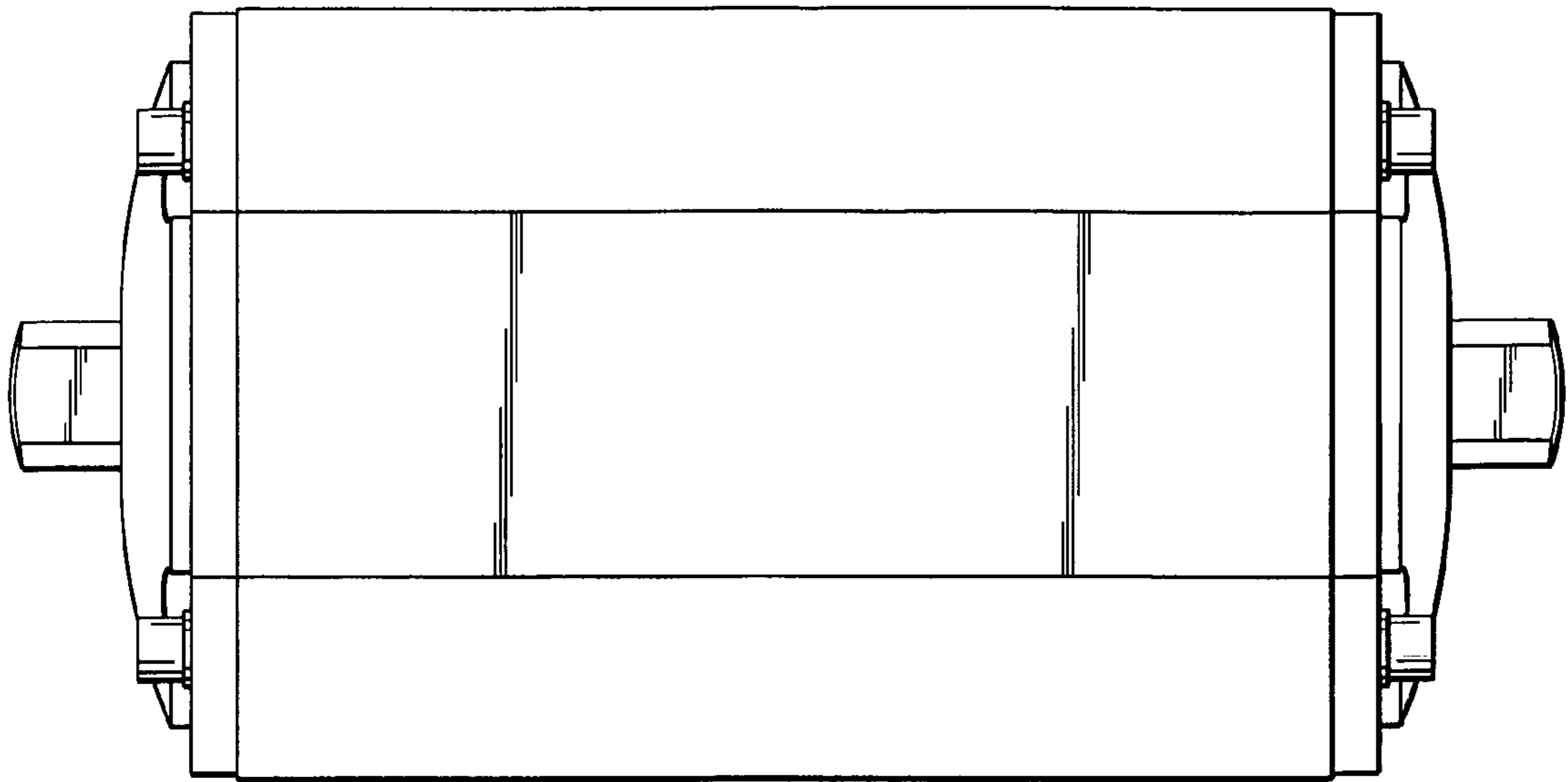


Fig. 2

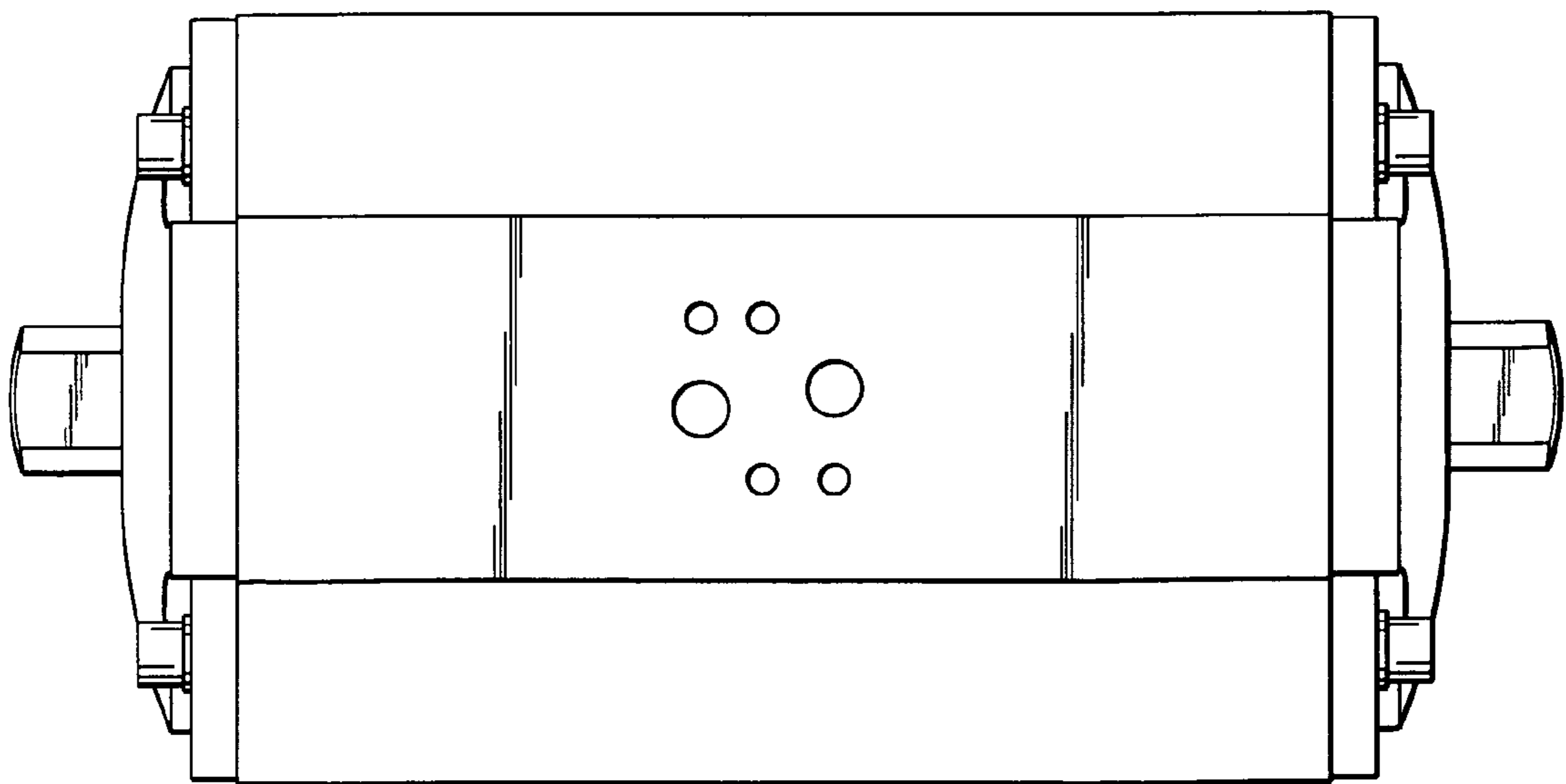


Fig. 3

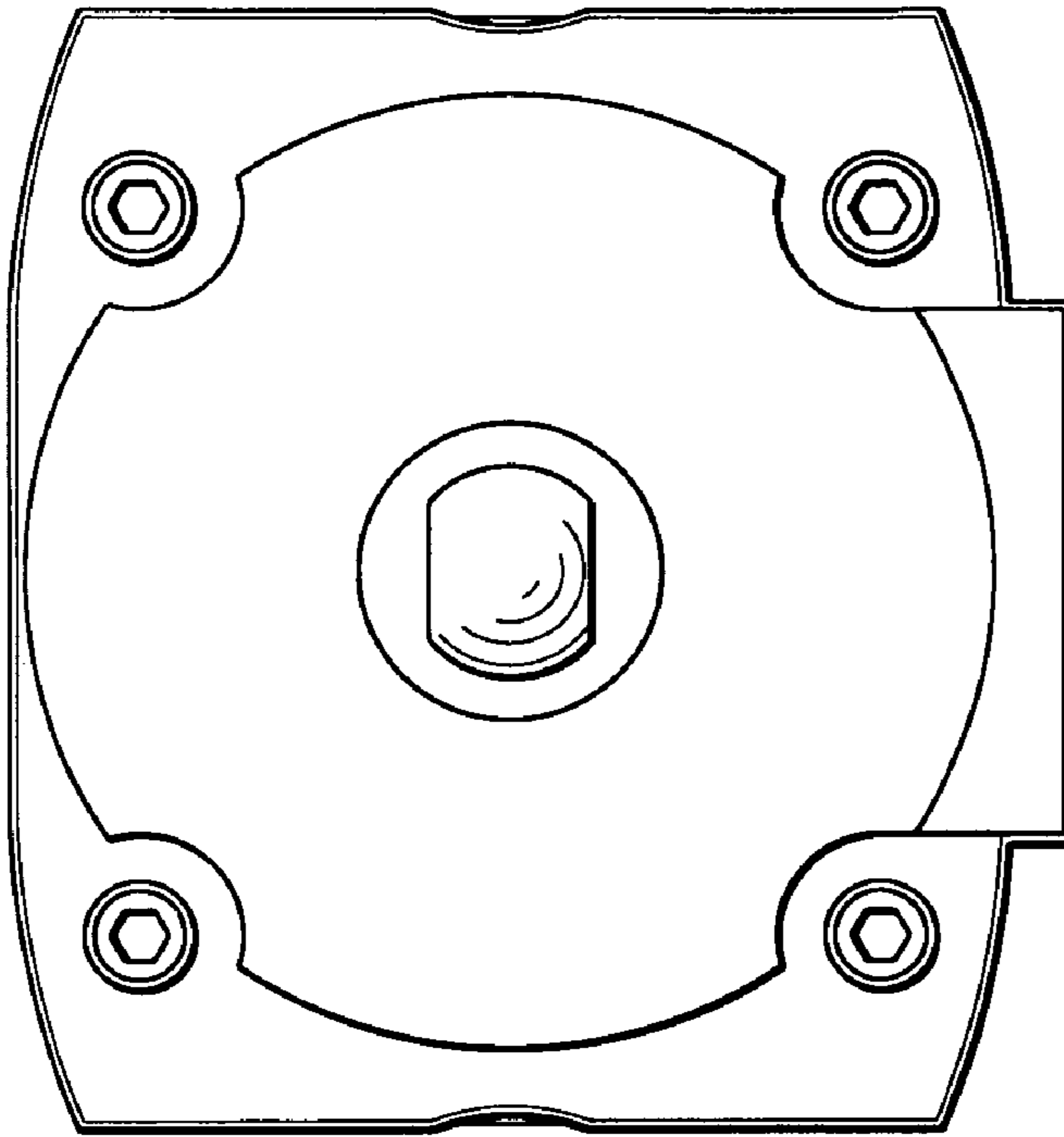


Fig. 4

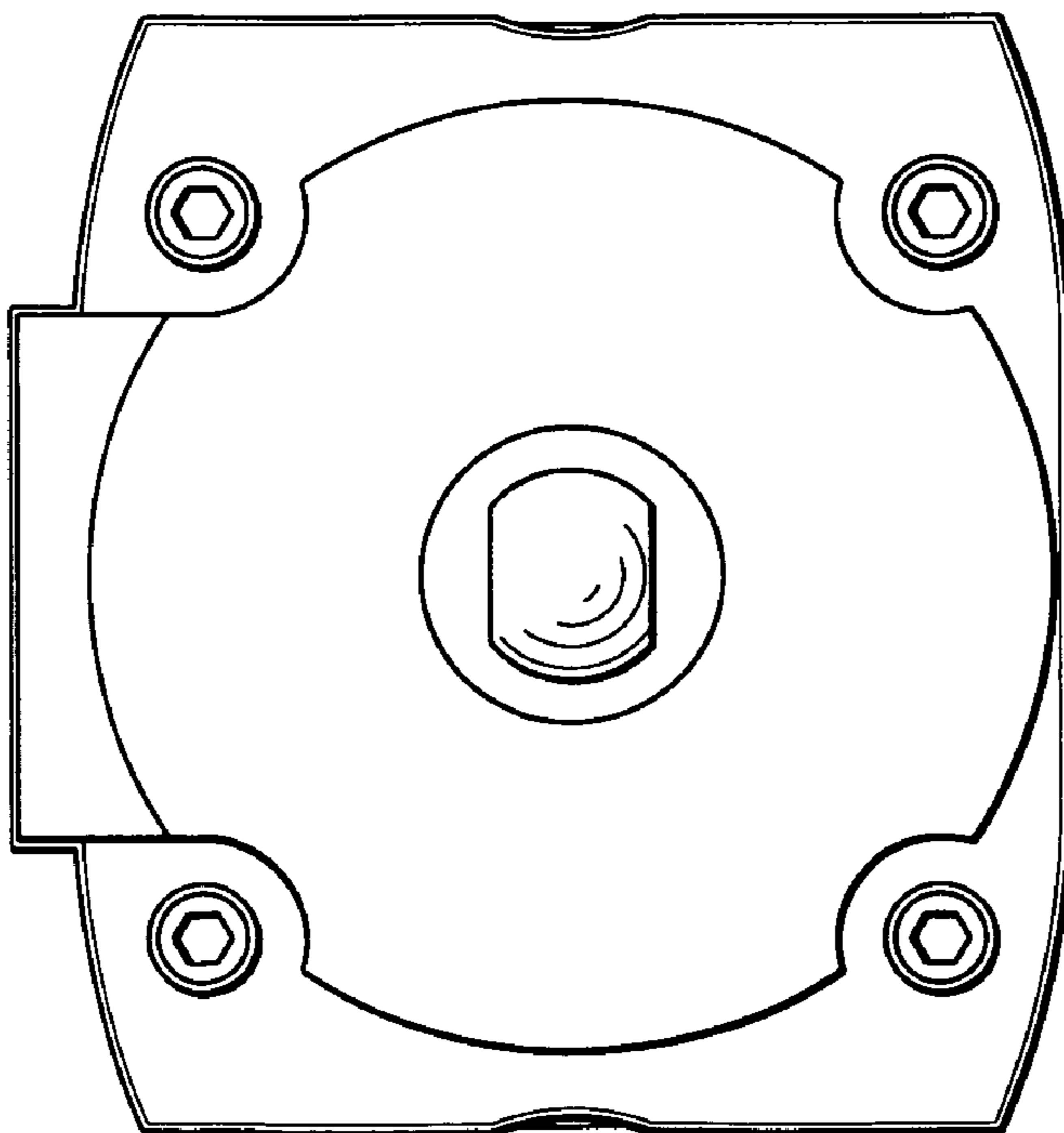


Fig. 5

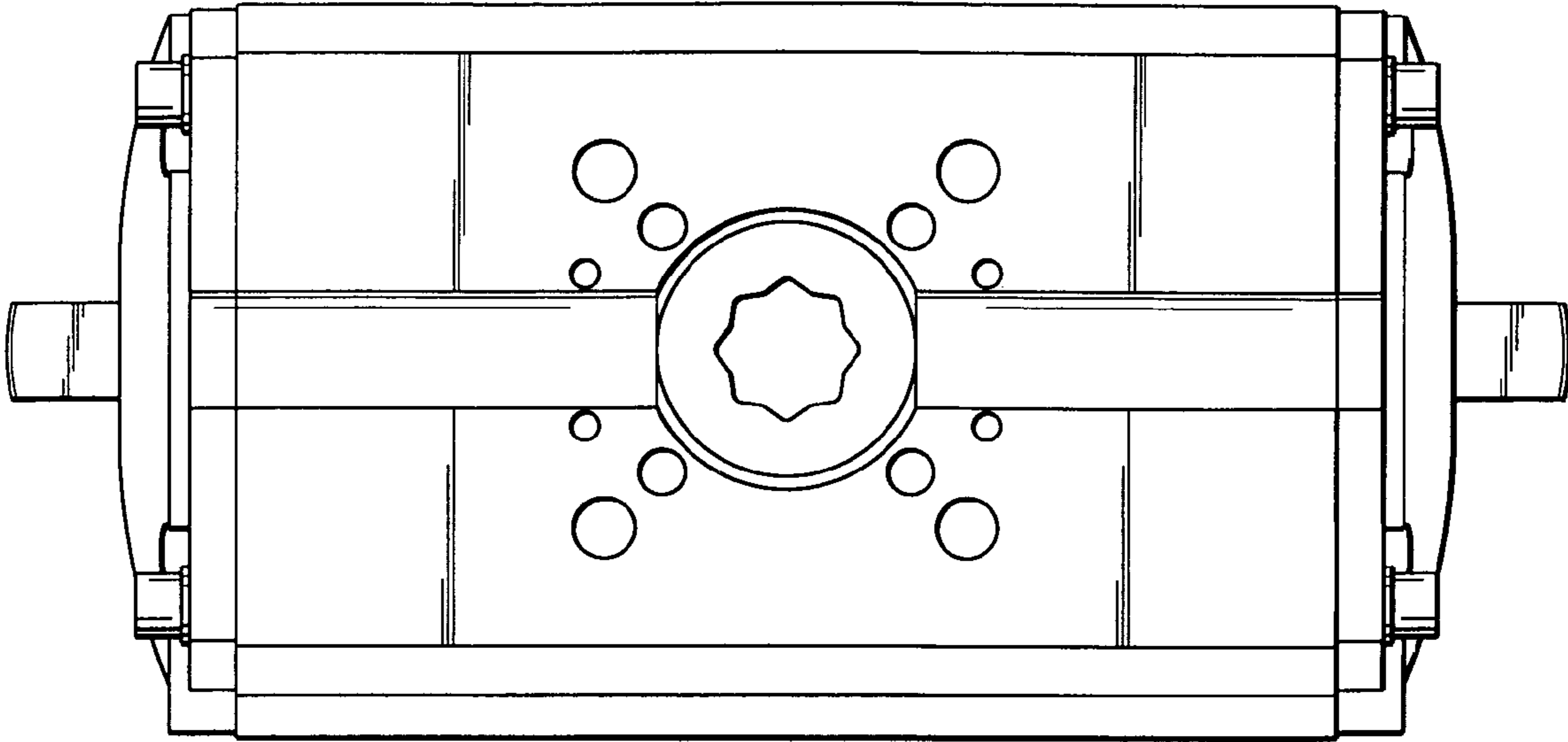


Fig. 6

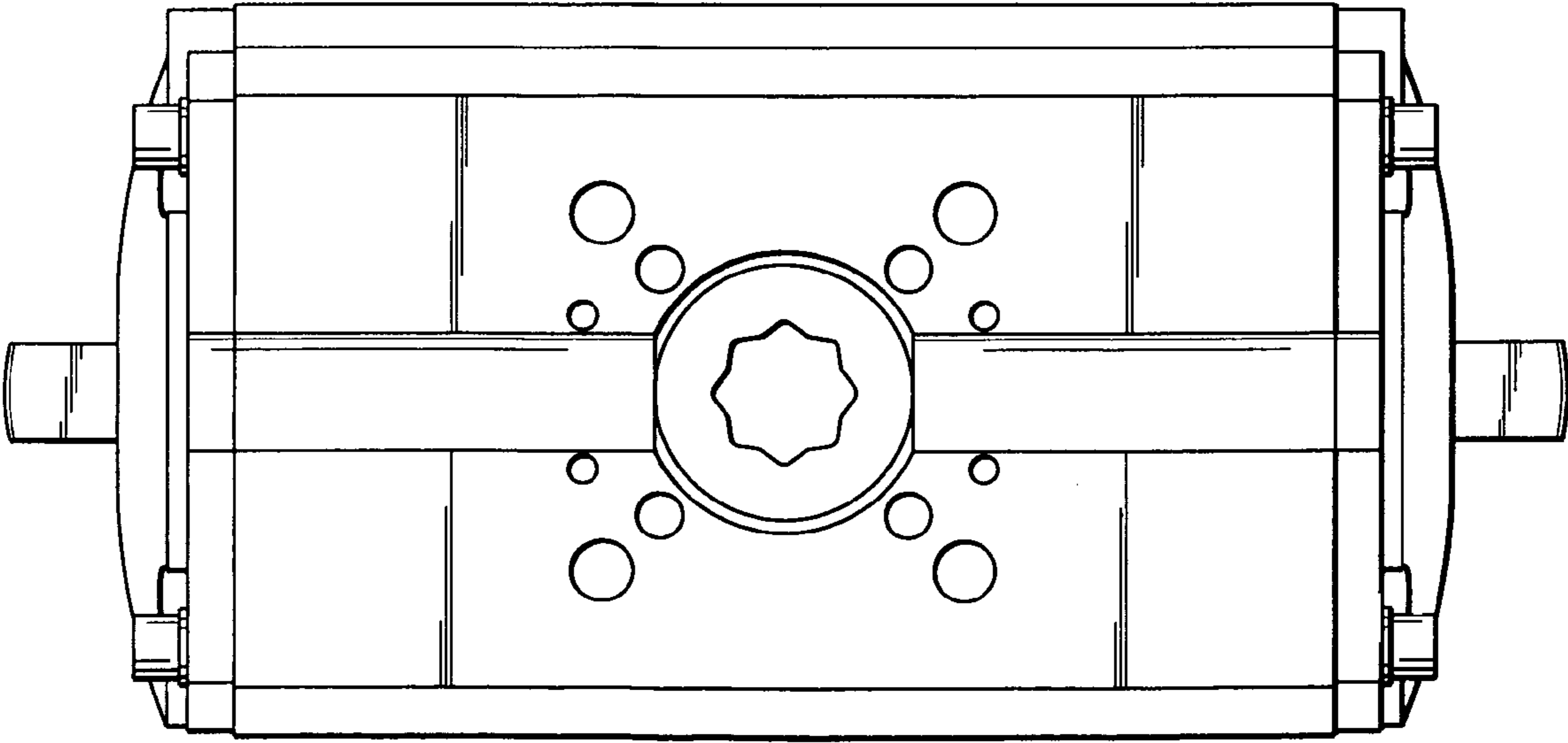


Fig. 7