



US00D610654S

(12) **United States Design Patent**  
**Städtler**

(10) **Patent No.:** **US D610,654 S**  
(45) **Date of Patent:** **\*\* Feb. 23, 2010**

(54) **SANITARY APPLIANCE**

(75) Inventor: **Georg Städtler**, Müllheim (DE)

(73) Assignee: **Neoperl GmbH**, Müllheim (DE)

(\*\*) Term: **14 Years**

(21) Appl. No.: **29/282,211**

(22) Filed: **Jul. 13, 2007**

(30) **Foreign Application Priority Data**

Jan. 15, 2007 (EM) ..... 000652169-0001  
Jun. 22, 2007 (EM) ..... 000745419-0001

(51) **LOC (9) Cl.** ..... **23-01**

(52) **U.S. Cl.** ..... **D23/249**

(58) **Field of Classification Search** ..... D23/254,  
D23/249, 213, 238, 388, 261; D10/106;  
700/85, 83; 345/156; 138/46; 340/407.2;  
D25/35; 454/313

See application file for complete search history.

(56) **References Cited**

**U.S. PATENT DOCUMENTS**

4,274,330 A \* 6/1981 Witten et al. .... 454/276  
D279,601 S \* 7/1985 Sexton ..... D23/388  
4,699,045 A \* 10/1987 Hensley ..... 454/313  
D299,543 S \* 1/1989 Phillips ..... D25/35

D377,389 S \* 1/1997 Phillips et al. .... D23/261  
D462,757 S \* 9/2002 Pettit ..... D23/388  
D530,782 S \* 10/2006 Starck ..... D23/238  
D553,708 S \* 10/2007 Garner ..... D23/213  
D581,487 S \* 11/2008 Wildfang ..... D23/249  
D595,811 S \* 7/2009 Städtler ..... D23/249

\* cited by examiner

*Primary Examiner*—Cathron C Brooks

*Assistant Examiner*—Austin Murphy

(74) *Attorney, Agent, or Firm*—Volpe and Koenig, P.C.

(57) **CLAIM**

The ornamental design for a sanitary appliance, as shown and described.

**DESCRIPTION**

FIG. 1 is a top perspective view of a sanitary appliance showing my new design;

FIG. 2 is a bottom perspective view thereof;

FIG. 3 is a top plan view thereof;

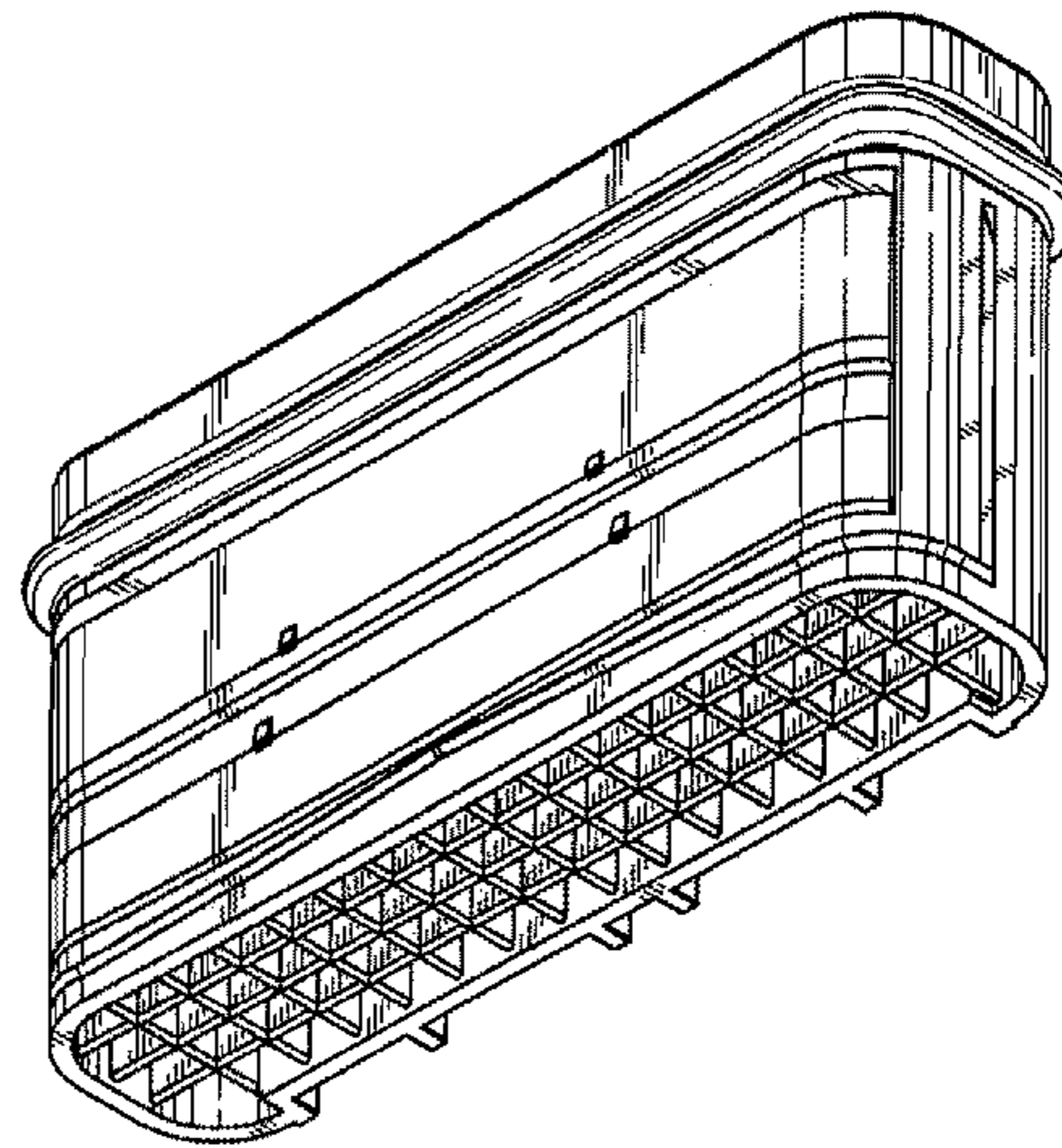
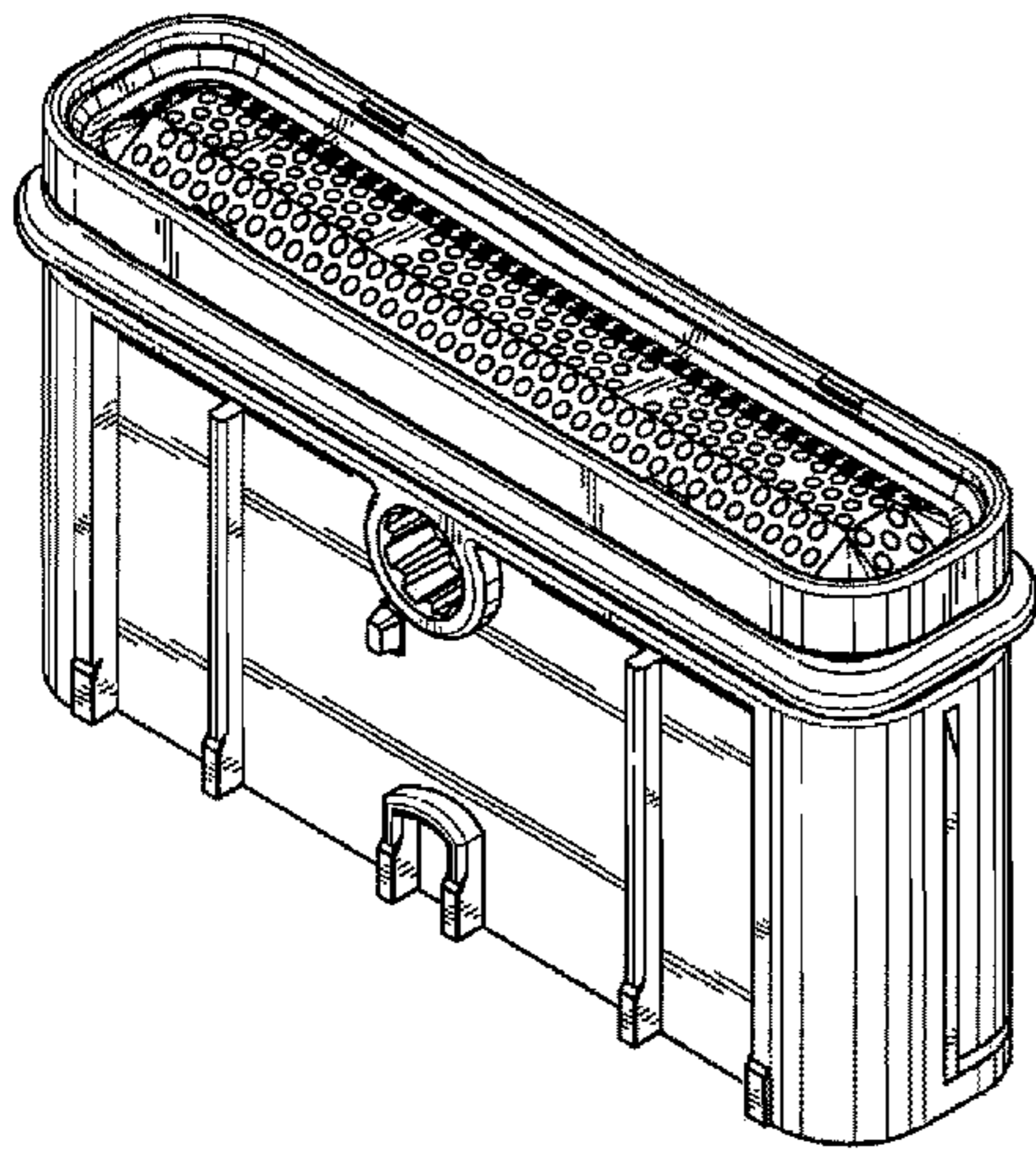
FIG. 4 is a front elevational view thereof;

FIG. 5 is a right-side elevational view thereof;

FIG. 6 is a rear elevational view thereof; and,

FIG. 7 is a bottom plan view thereof.

**1 Claim, 3 Drawing Sheets**



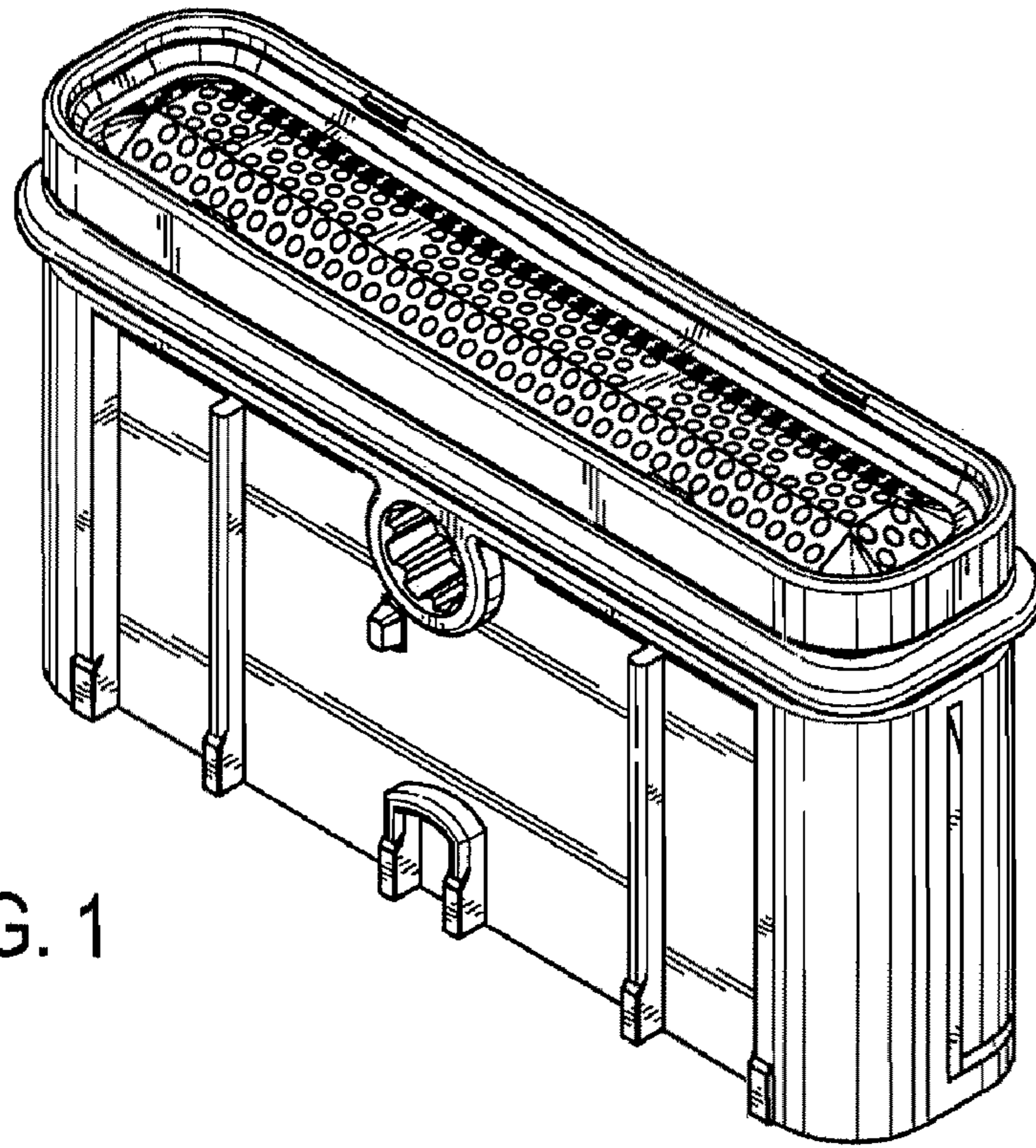


FIG. 1

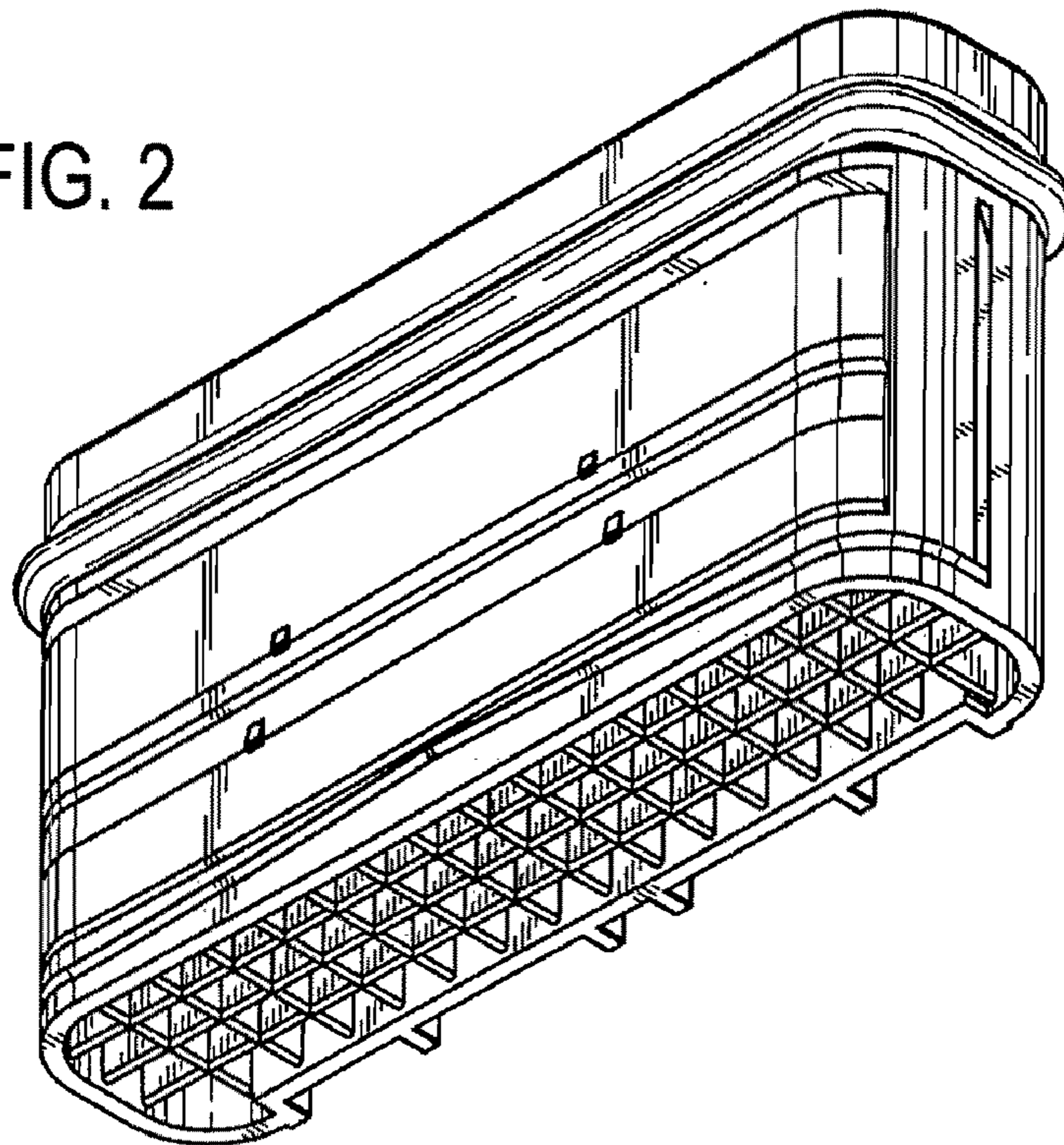


FIG. 2

FIG. 3

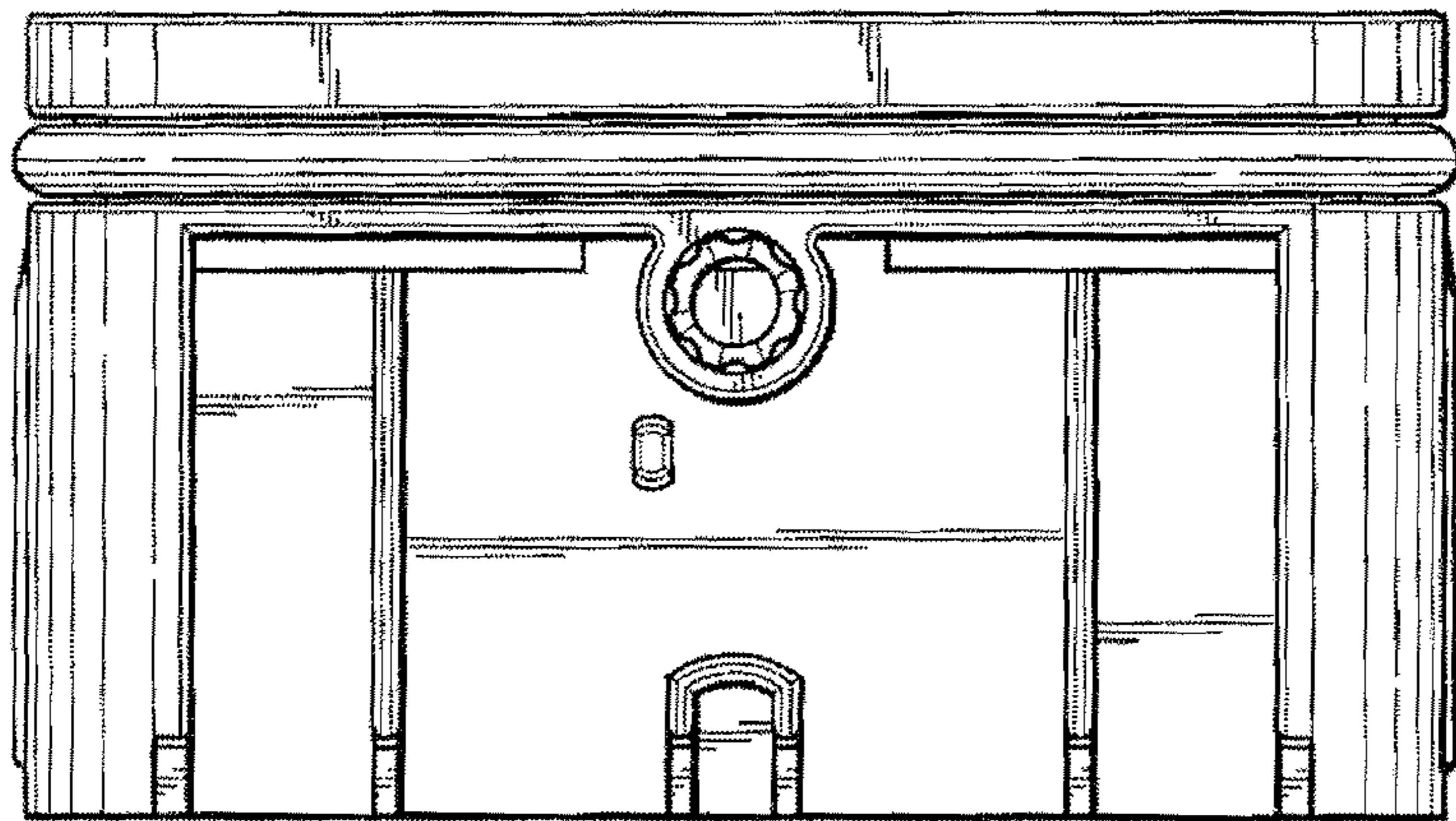
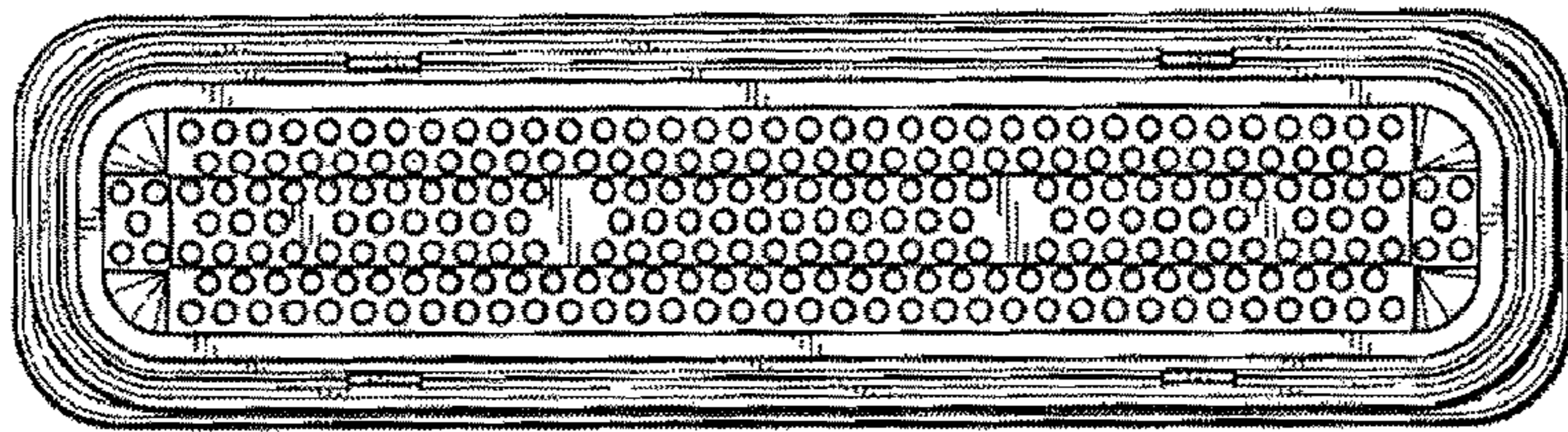


FIG. 4

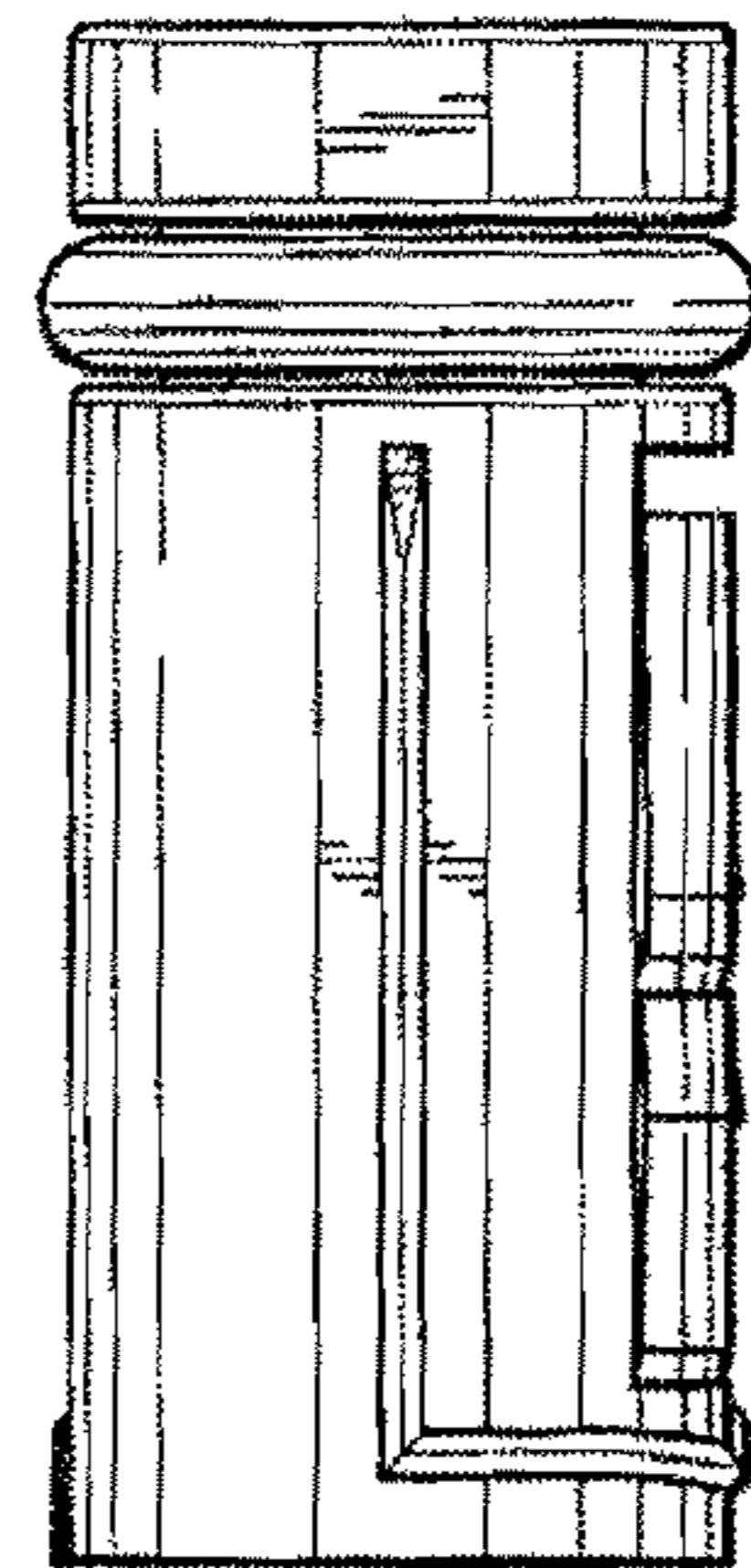


FIG. 5

FIG. 6

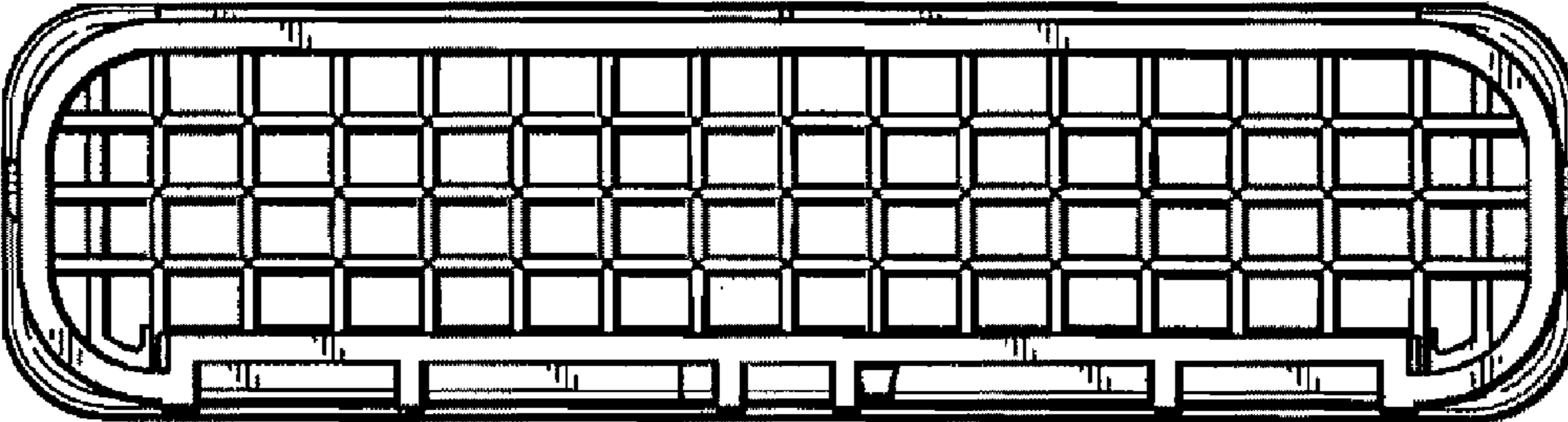
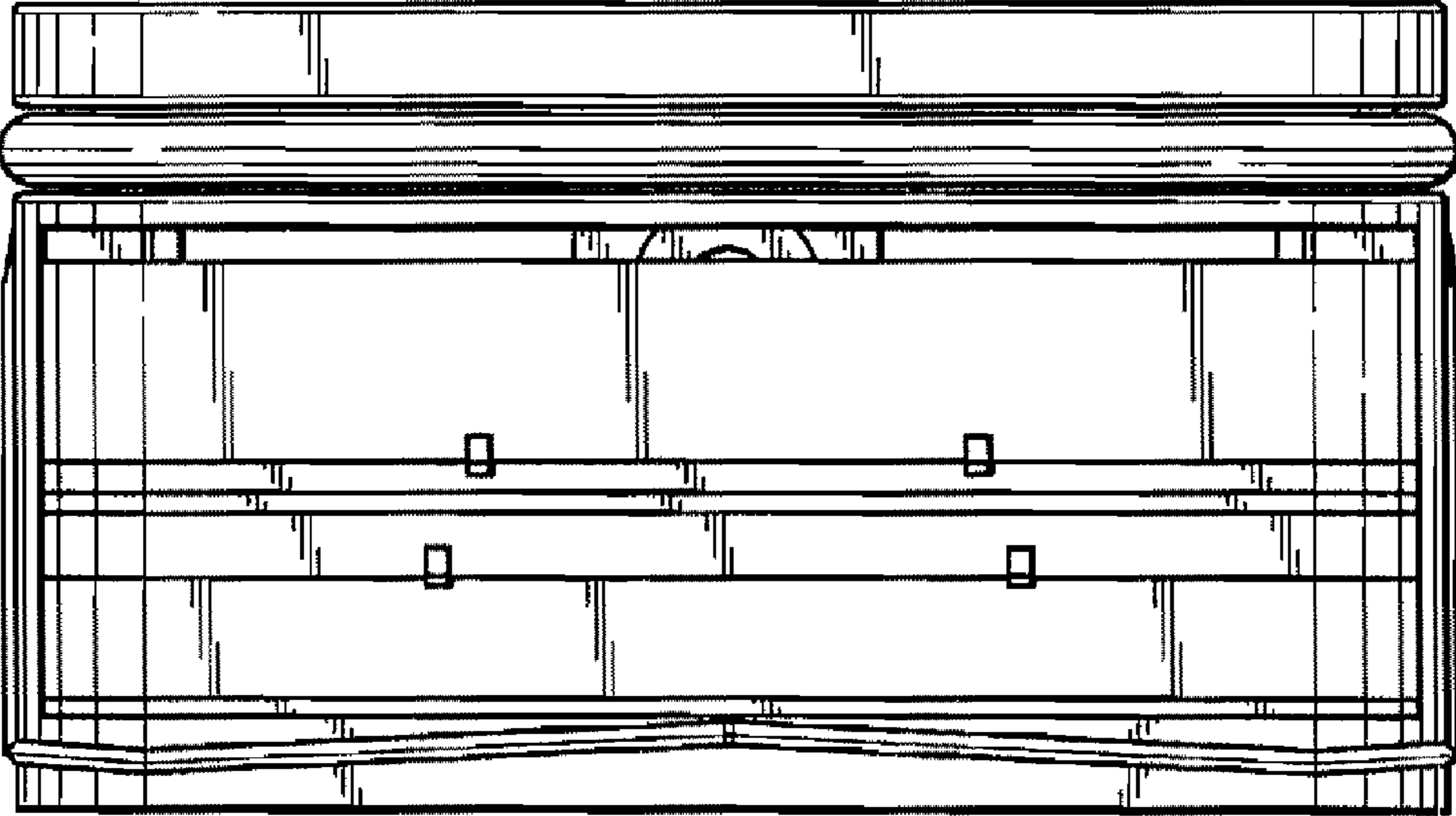


FIG. 7