



US00D610652S

(12) **United States Design Patent**
Ben-Nun

(10) **Patent No.:** **US D610,652 S**

(45) **Date of Patent:** **** Feb. 23, 2010**

(54) **PRESSURE FILTER VALVE**

(75) **Inventor:** **Itamar Ben-Nun**, Hod Hasharon (IL)

(73) **Assignee:** **Bermad CS Ltd.**, Kibbutz Evron (IL)

(**) **Term:** **14 Years**

(21) **Appl. No.:** **29/274,662**

(22) **Filed:** **May 14, 2007**

(30) **Foreign Application Priority Data**

Feb. 26, 2007 (IT) 43855

(51) **LOC (9) Cl.** **23-01**

(52) **U.S. Cl.** **D23/233**

(58) **Field of Classification Search** D23/200,
D23/204–210, 233, 235, 238, 239, 249; 137/512–513,
137/625.18, 549; 210/94, 97, 100, 104–111,
210/130, 131, 133, 136, 420, 428, 430, 440,
210/444, 446–449

See application file for complete search history.

(56) **References Cited**

U.S. PATENT DOCUMENTS

1,407,897	A *	2/1922	Steiner	362/422
1,588,620	A *	6/1926	Ryan	210/292
2,430,578	A *	11/1947	Matlock	210/130
2,563,205	A *	8/1951	Barnebl	210/390
2,797,707	A *	7/1957	Hursh	137/625.46
3,315,808	A *	4/1967	Hopkins	210/130
3,400,821	A *	9/1968	Singleton	210/136

3,855,128	A *	12/1974	Shaltz et al.	210/130
3,984,318	A *	10/1976	Bumb	210/130
4,697,617	A *	10/1987	Bourke et al.	137/549
4,861,466	A *	8/1989	Leoncavallo et al.	210/120
D311,768	S *	10/1990	Woodruff	D23/209
5,250,176	A *	10/1993	Daniel	210/130
5,390,701	A *	2/1995	Lessley et al.	137/549
D399,922	S *	10/1998	Uehara	D23/235
D401,672	S *	11/1998	Klopstad	D23/235
5,989,413	A *	11/1999	Jauss et al.	210/109
7,029,575	B1 *	4/2006	Baumann et al.	210/130

* cited by examiner

Primary Examiner—Cathron C. Brooks

Assistant Examiner—Maurice Stevens

(74) *Attorney, Agent, or Firm*—Mark M. Friedman

(57) **CLAIM**

The ornamental design for a pressure filter valve, as shown and described.

DESCRIPTION

FIG. 1 is a top plan view of a pressure filter valve, showing my new design.

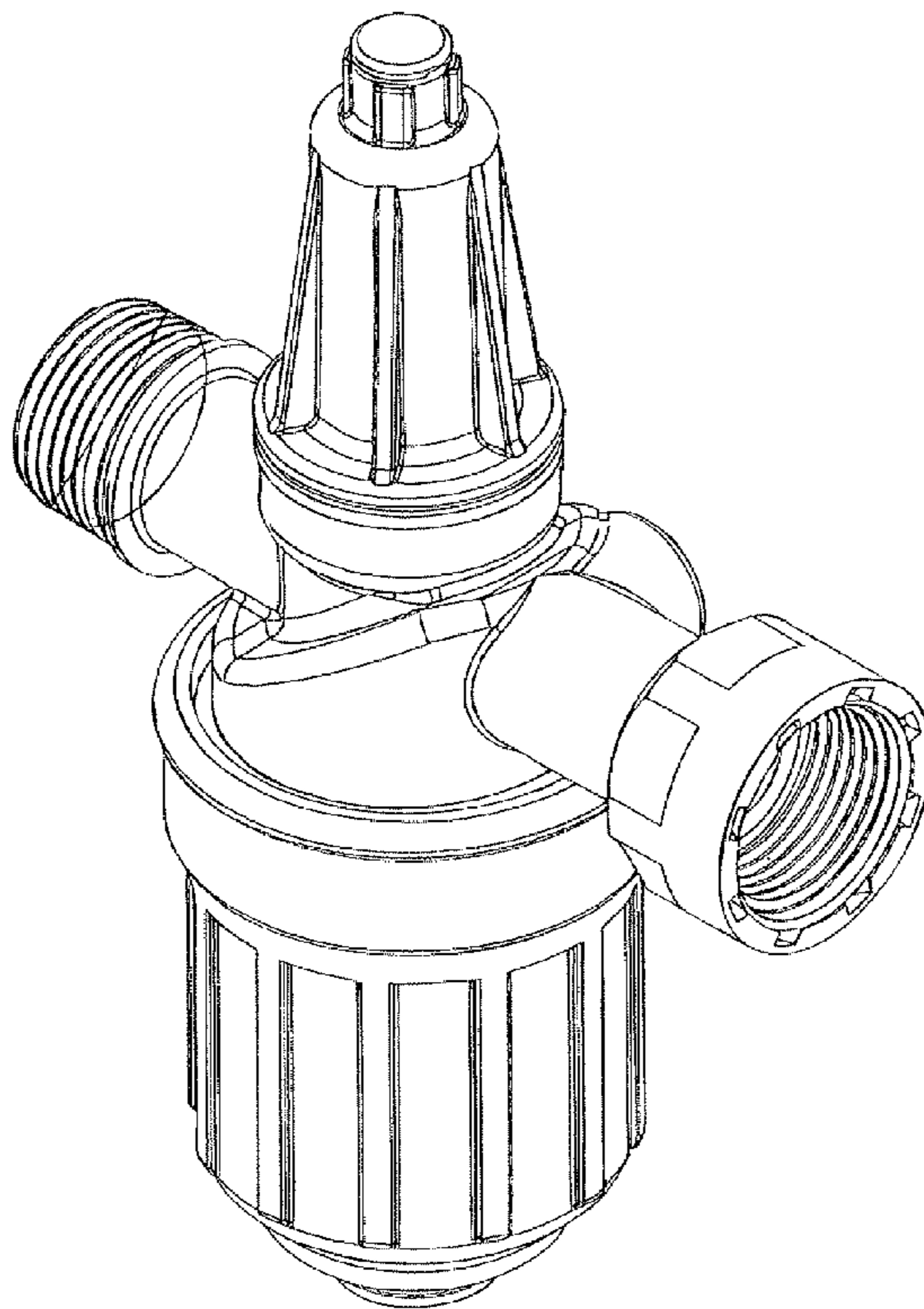
FIG. 2 is a front view thereof.

FIG. 3 is a perspective view thereof; and,

FIG. 4 is a side view thereof.

The broken lines showing of unclaimed portions form no part of the claimed design.

1 Claim, 4 Drawing Sheets



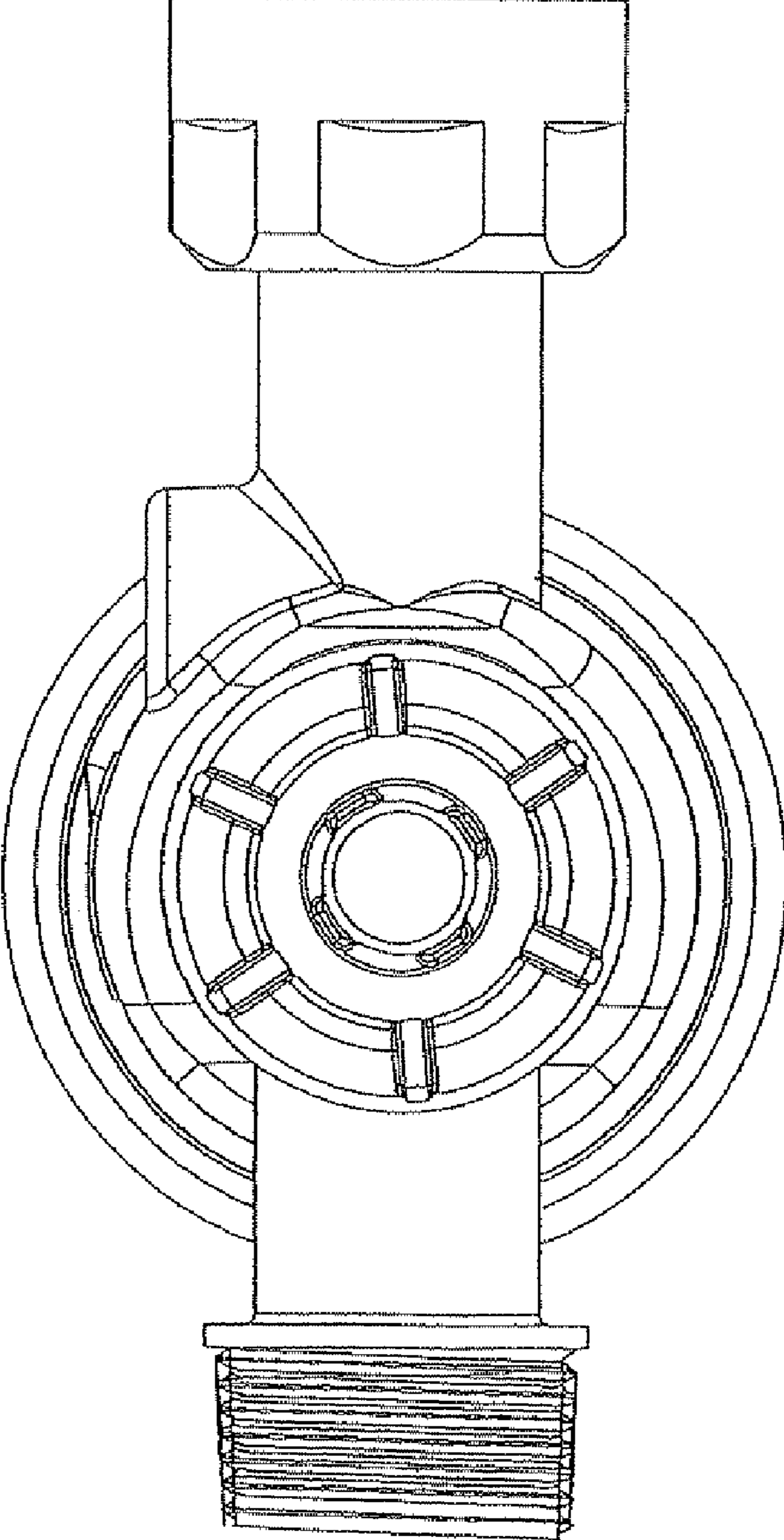


Figure 1

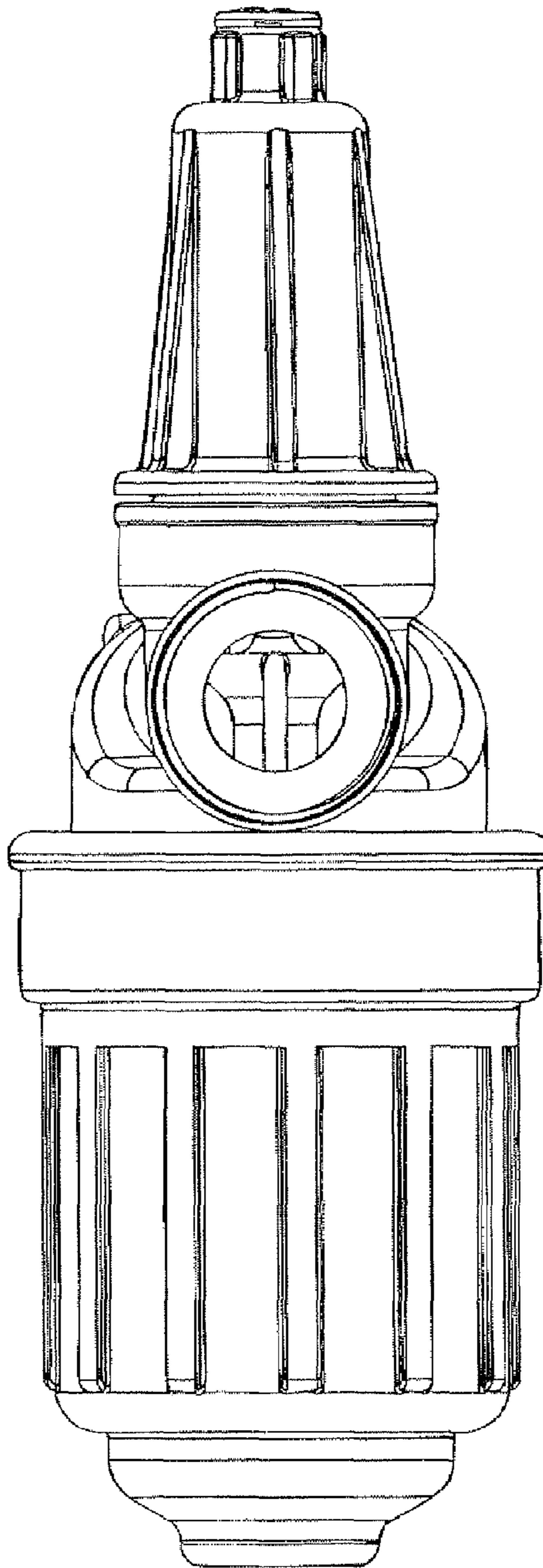


Figure 2

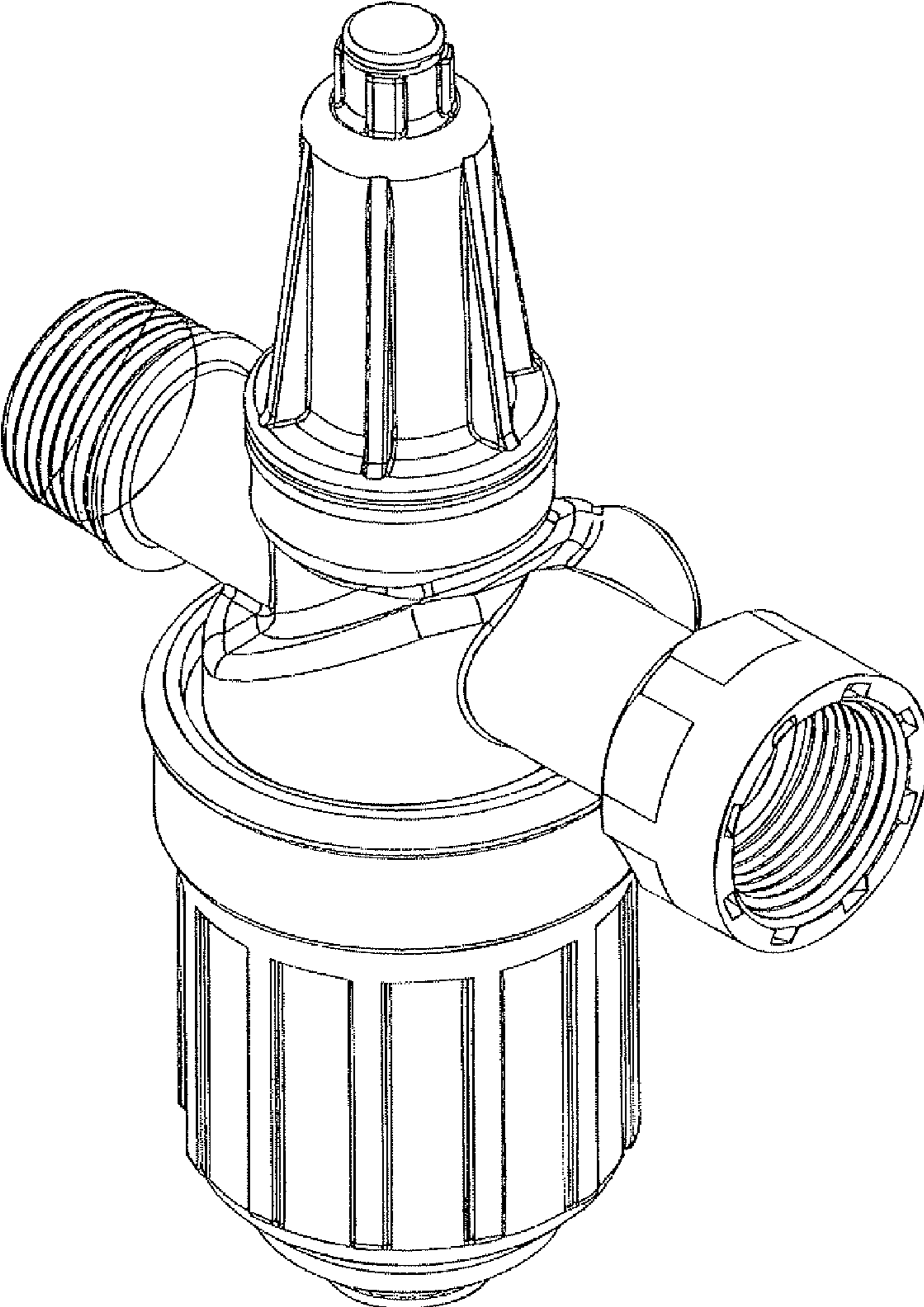


FIGURE 3

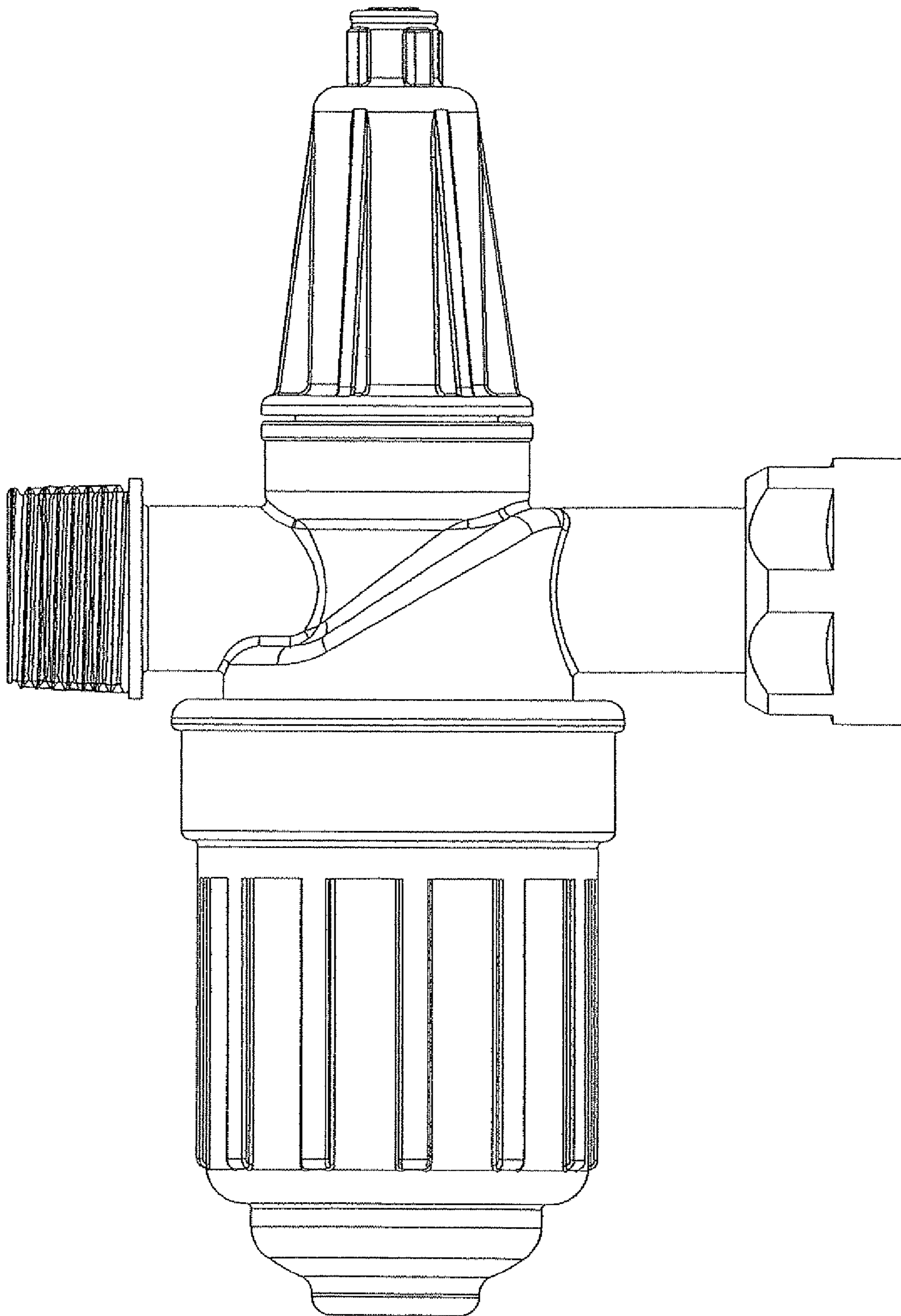


Figure 4