



US00D610649S

(12) **United States Design Patent**
Kulikov et al.

(10) **Patent No.:** **US D610,649 S**
(45) **Date of Patent:** **** Feb. 23, 2010**

(54) **WATER FILTER**

(75) Inventors: **Vladimir Mikhailovich Kulikov**,
Moscow (RU); **Vladimir Alekseevich**
Zakharov, Moscow (RU)

(73) Assignee: **Obshtshestvo s ogranichennoy**
otvetstvennostyu "Firma "Ratna",
Moscow (RU)

(**) Term: **14 Years**

(21) Appl. No.: **29/330,205**

(22) Filed: **Dec. 31, 2008**

(51) **LOC (9) Cl.** **23-01**

(52) **U.S. Cl.** **D23/209**

(58) **Field of Classification Search** D23/207,
D23/209

See application file for complete search history.

(56) **References Cited**

U.S. PATENT DOCUMENTS

- 3,289,847 A * 12/1966 Rothmund 210/266
- D220,263 S * 3/1971 Hughes D23/209
- D230,735 S * 3/1974 Lents D23/209
- 5,507,945 A * 4/1996 Hansen 210/198.1

- D481,441 S * 10/2003 Liu D23/209
- D482,101 S * 11/2003 Rampen et al. D23/209
- D502,531 S * 3/2005 Liu D23/209

FOREIGN PATENT DOCUMENTS

EM 000672993-0001 3/2007

* cited by examiner

Primary Examiner—Robin V Webster

(74) *Attorney, Agent, or Firm*—Bachman & LaPointe, P.C.

(57) **CLAIM**

The ornamental design for a water filter, as shown.

DESCRIPTION

FIG. 1 is a perspective front view of the water filter in accordance with the present invention.

FIG. 2 is an exploded view of the water filter of FIG. 1.

FIG. 3 is a front view of the water filter of FIG. 1.

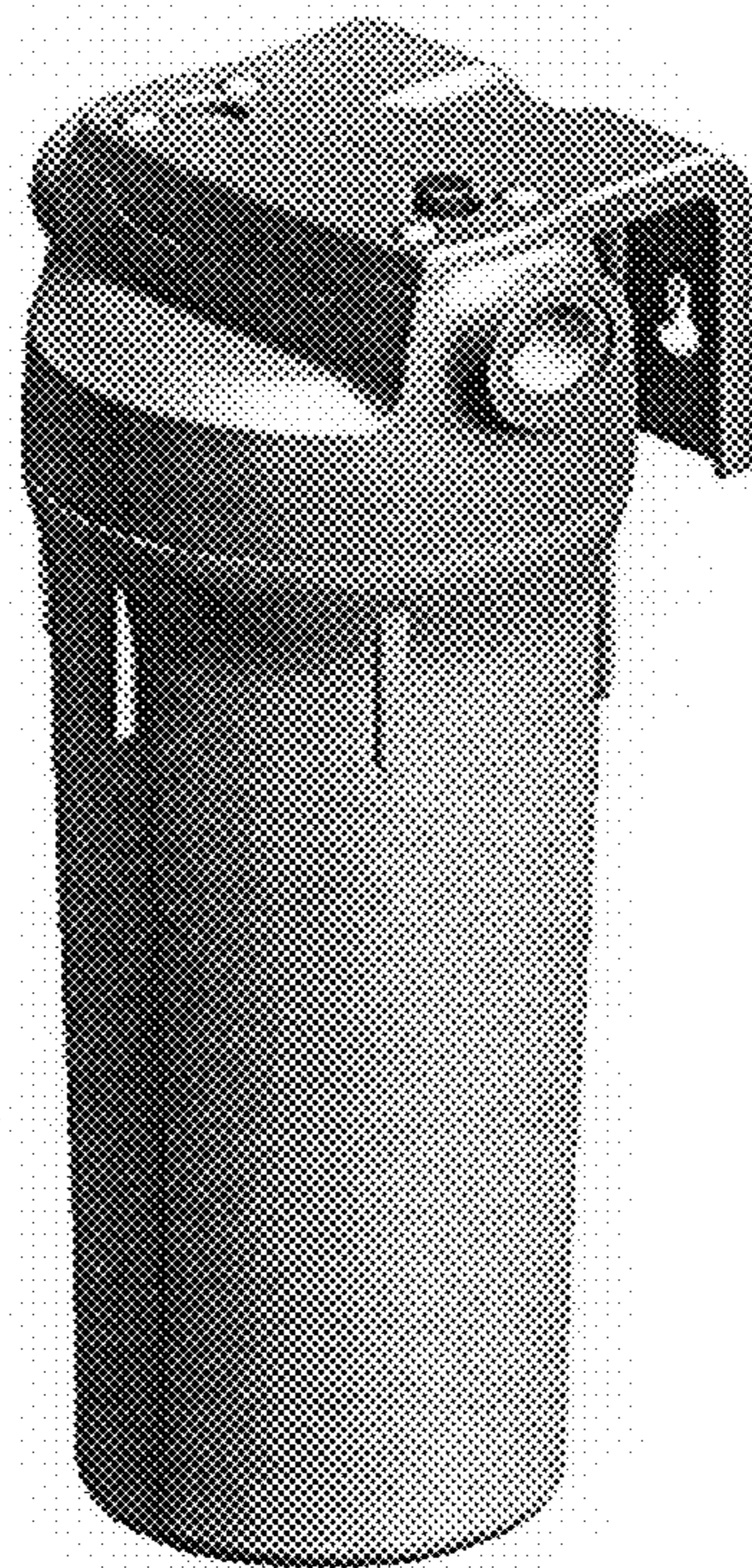
FIG. 4 is a back view of the water filter of FIG. 1.

FIG. 5 is a left side view of the water filter of FIG. 1.

FIG. 6 is a top view of the water filter of FIG. 1; and,

FIG. 7 is a bottom view of the water filter of FIG. 1.

1 Claim, 3 Drawing Sheets



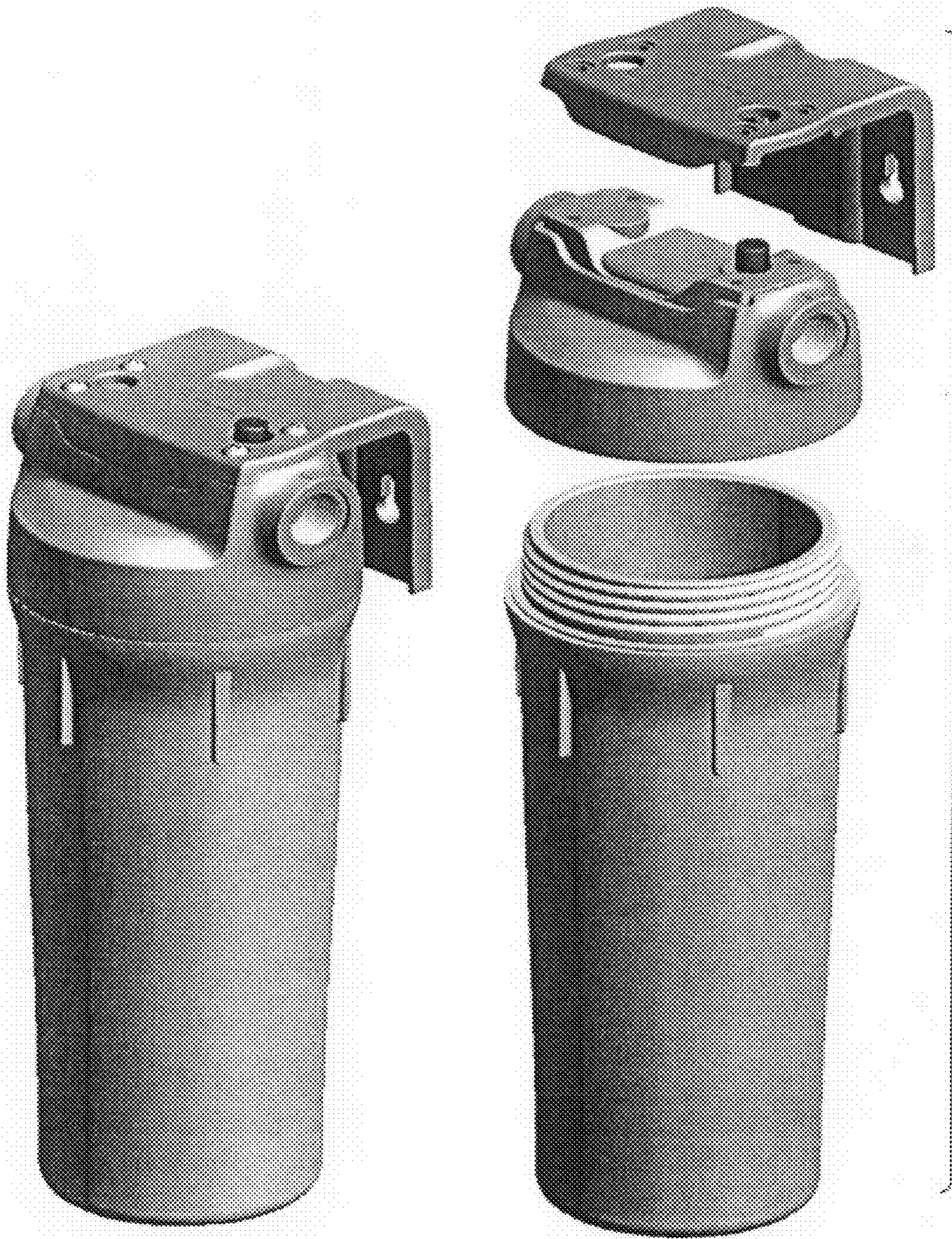


FIG. 1

FIG. 2

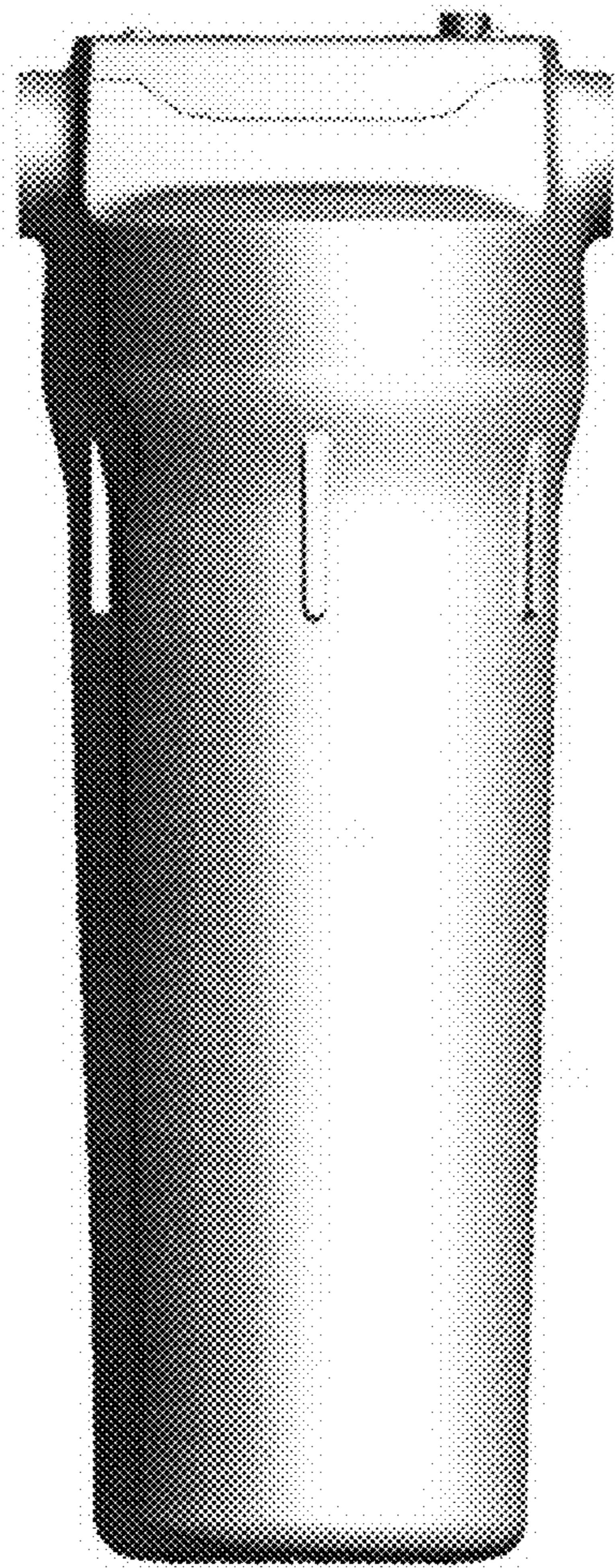


FIG. 3

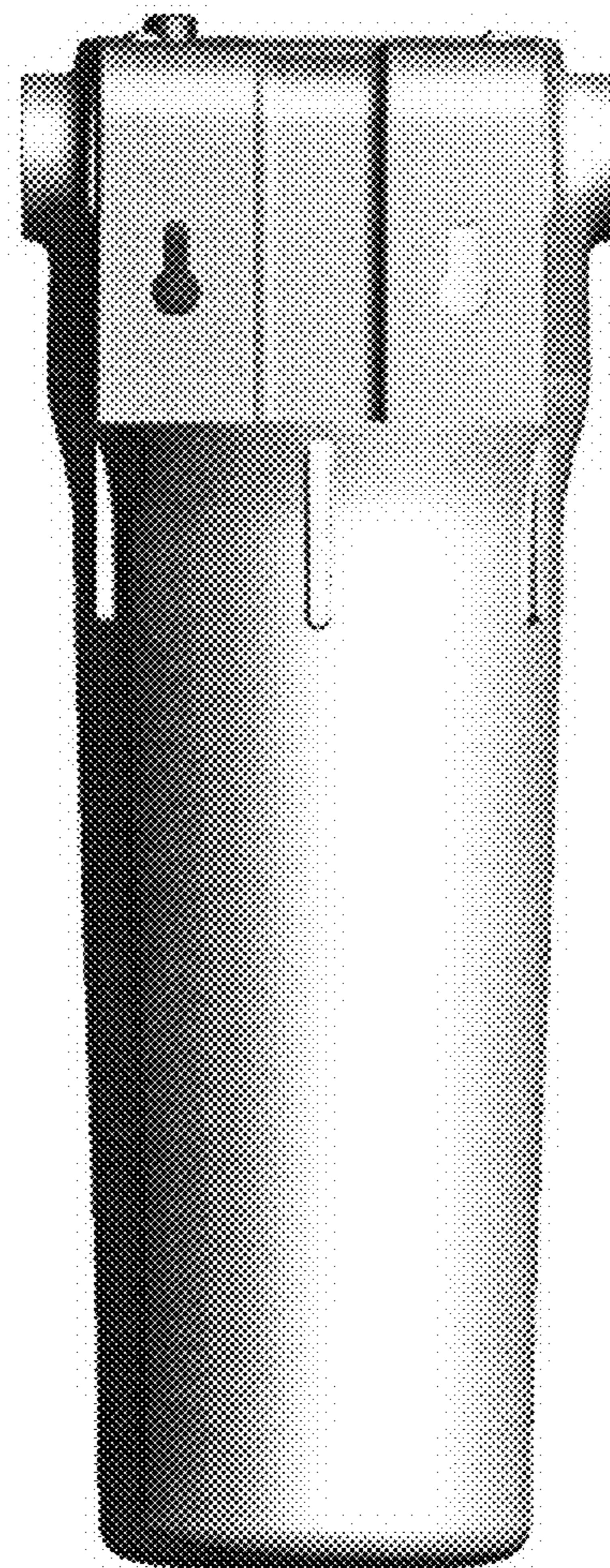


FIG. 4

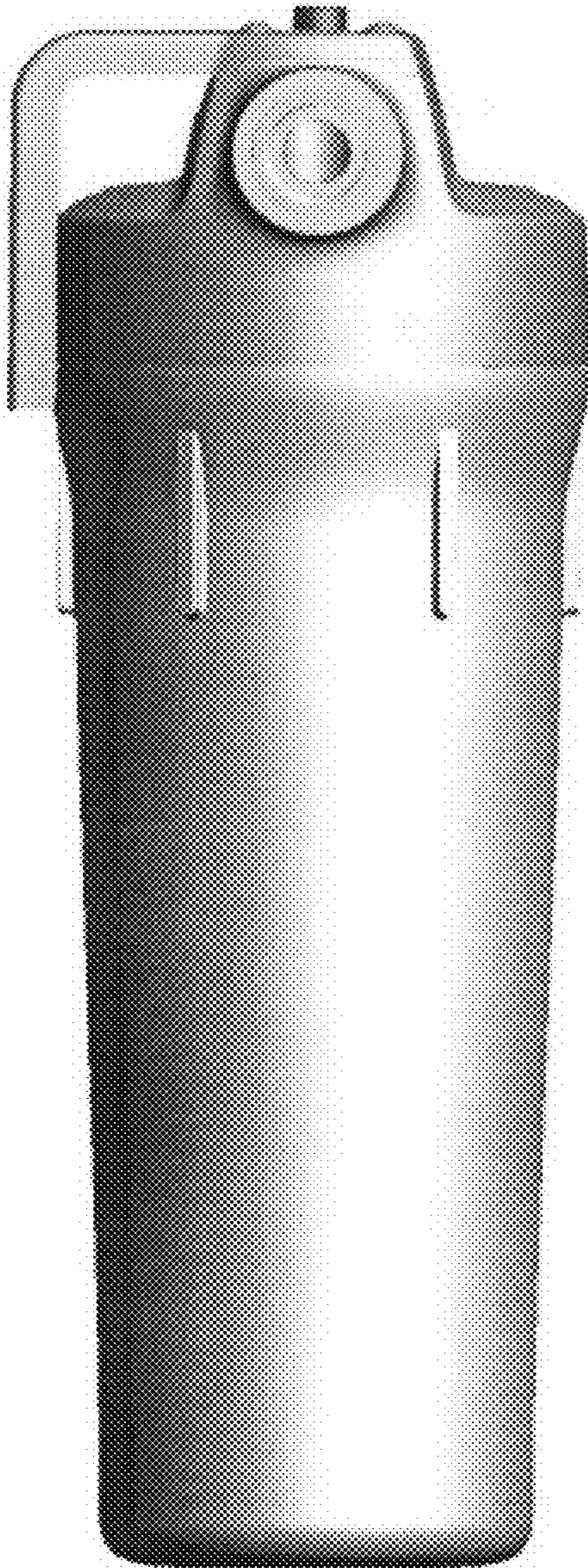


FIG. 5

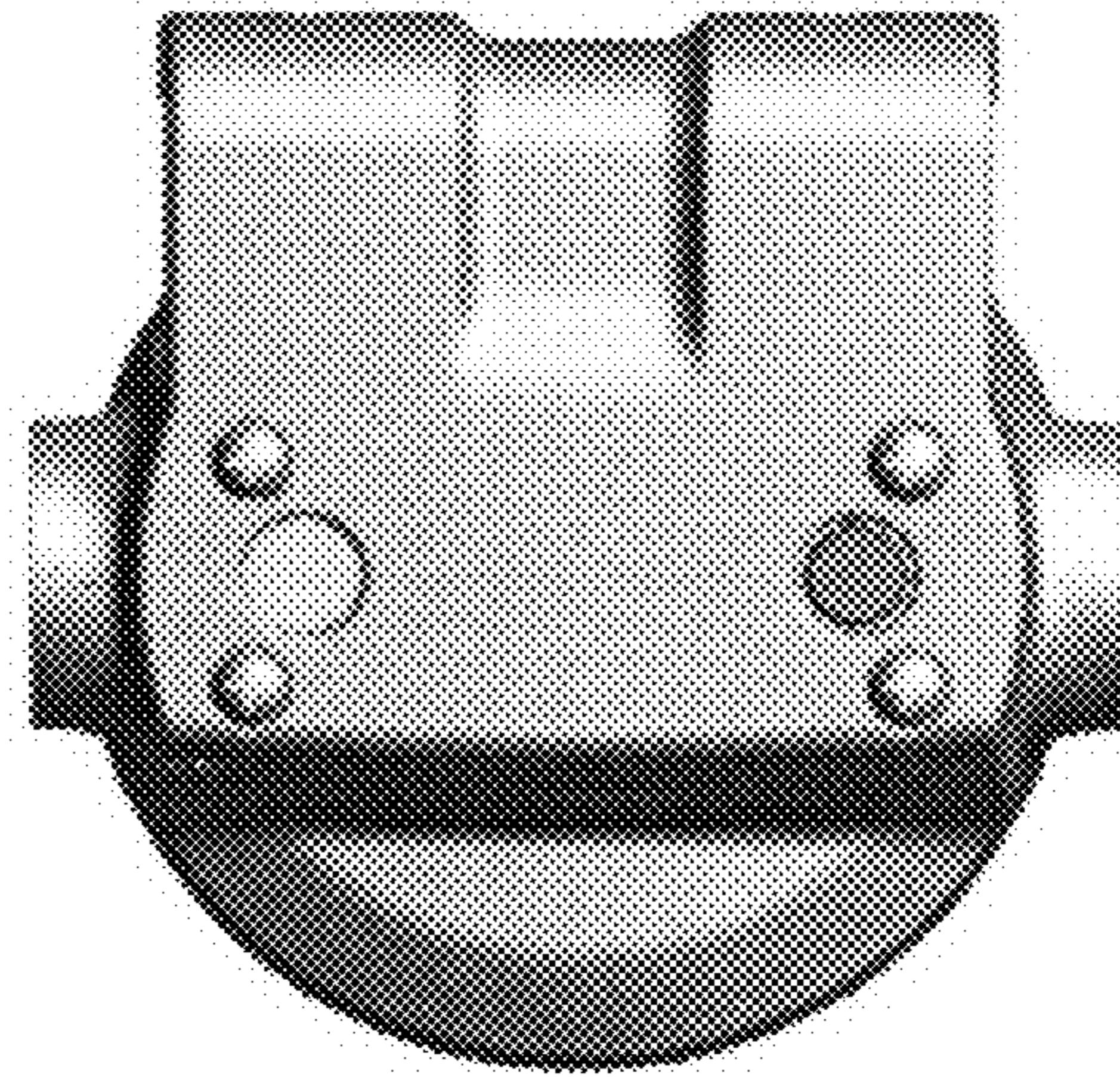


FIG. 6

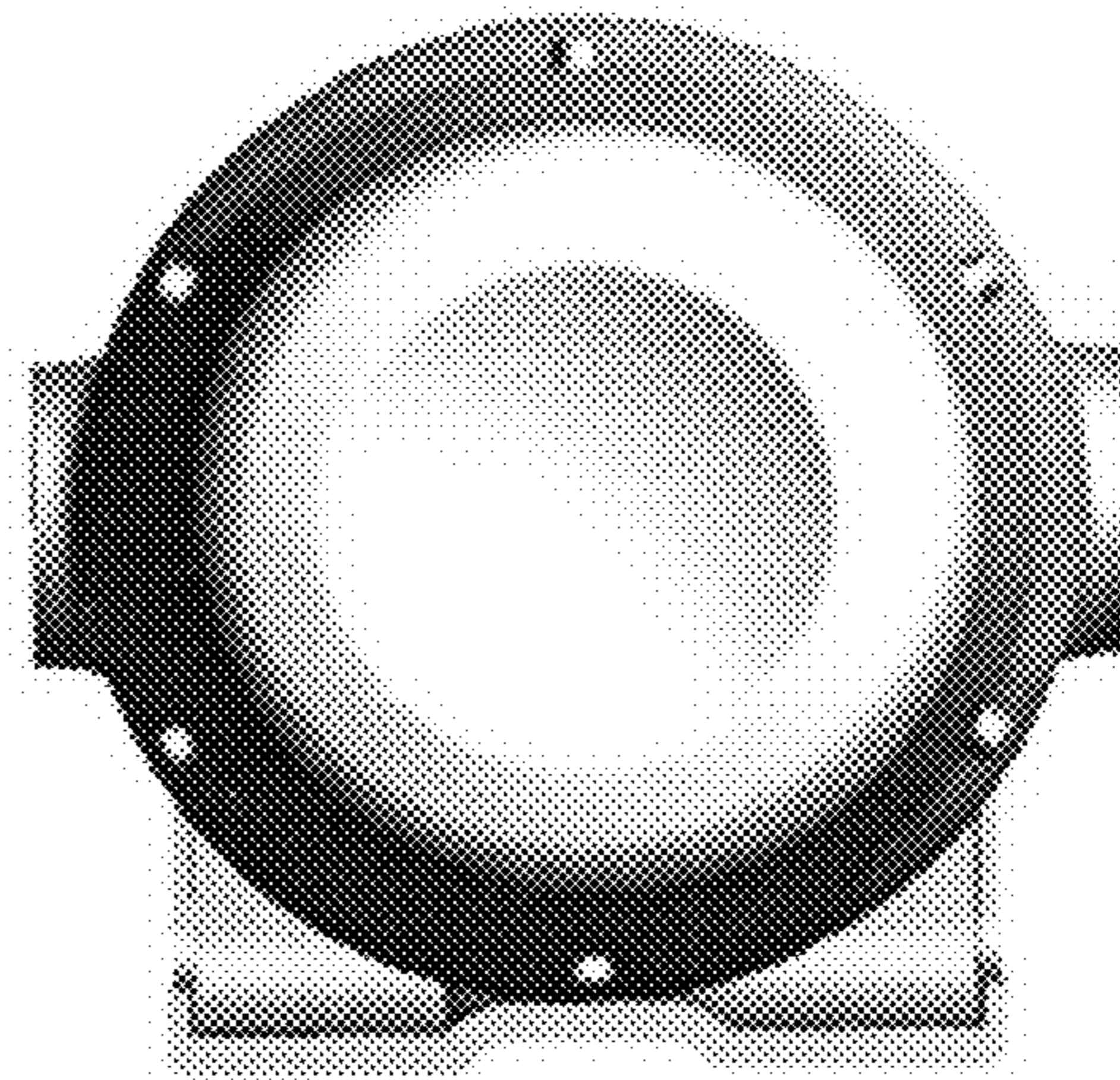


FIG. 7