



US00D610647S

(12) **United States Design Patent**
Boyer

(10) **Patent No.:** **US D610,647 S**
(45) **Date of Patent:** **** Feb. 23, 2010**

- (54) **VARMINT REPELLANT STRIP**
- (76) Inventor: **Thomas M. Boyer**, 210 S. Highway 175,
Seagoville, TX (US) 75159
- (**) Term: **14 Years**
- (21) Appl. No.: **29/315,772**
- (22) Filed: **Jul. 22, 2009**
- (51) **LOC (9) Cl.** **22-06**
- (52) **U.S. Cl.** **D22/120**
- (58) **Field of Classification Search** D22/119-124;
43/65, 85, 124, 121, 108, 58, 132.1; 52/101
See application file for complete search history.
- (56) **References Cited**

U.S. PATENT DOCUMENTS

- 3,341,967 A * 9/1967 Kelley 43/65
- D325,613 S * 4/1992 Melchor D22/122
- D363,111 S * 10/1995 Walburn et al. D22/122
- 5,596,834 A * 1/1997 Ritter 43/124
- D404,106 S * 1/1999 Marshall D22/119
- D505,478 S * 5/2005 Mondelli et al. D22/122
- D592,272 S * 5/2009 Wallace et al. D22/122

OTHER PUBLICATIONS

Boss Buck Internet Web Site, Published May 23, 2006; www.bossbuck.com/products/feeders

* cited by examiner

Primary Examiner—Catherine R Oliver
(74) *Attorney, Agent, or Firm*—Charles D. Gunter, Jr.

(57) **CLAIM**

The ornamental design for a varmint repellent strip, as shown and described.

DESCRIPTION

FIG. 1 is a front perspective view of the varmint repellent strip of the invention in place on a deer feeder to show the general environment of the invention, the feeder being shown in phantom lines and forming no part of the claimed design;

FIG. 2 is an enlarged front perspective view, being shown broken away to indicate indeterminate length;

FIG. 3 is a front elevation view thereof;

FIG. 4 is a right side elevation view thereof;

FIG. 5 is a left side elevation view thereof;

FIG. 6 is a rear elevation view thereof; and,

FIG. 7 is a top plan view, with the bottom plan view being a mirror image thereof.

1 Claim, 4 Drawing Sheets

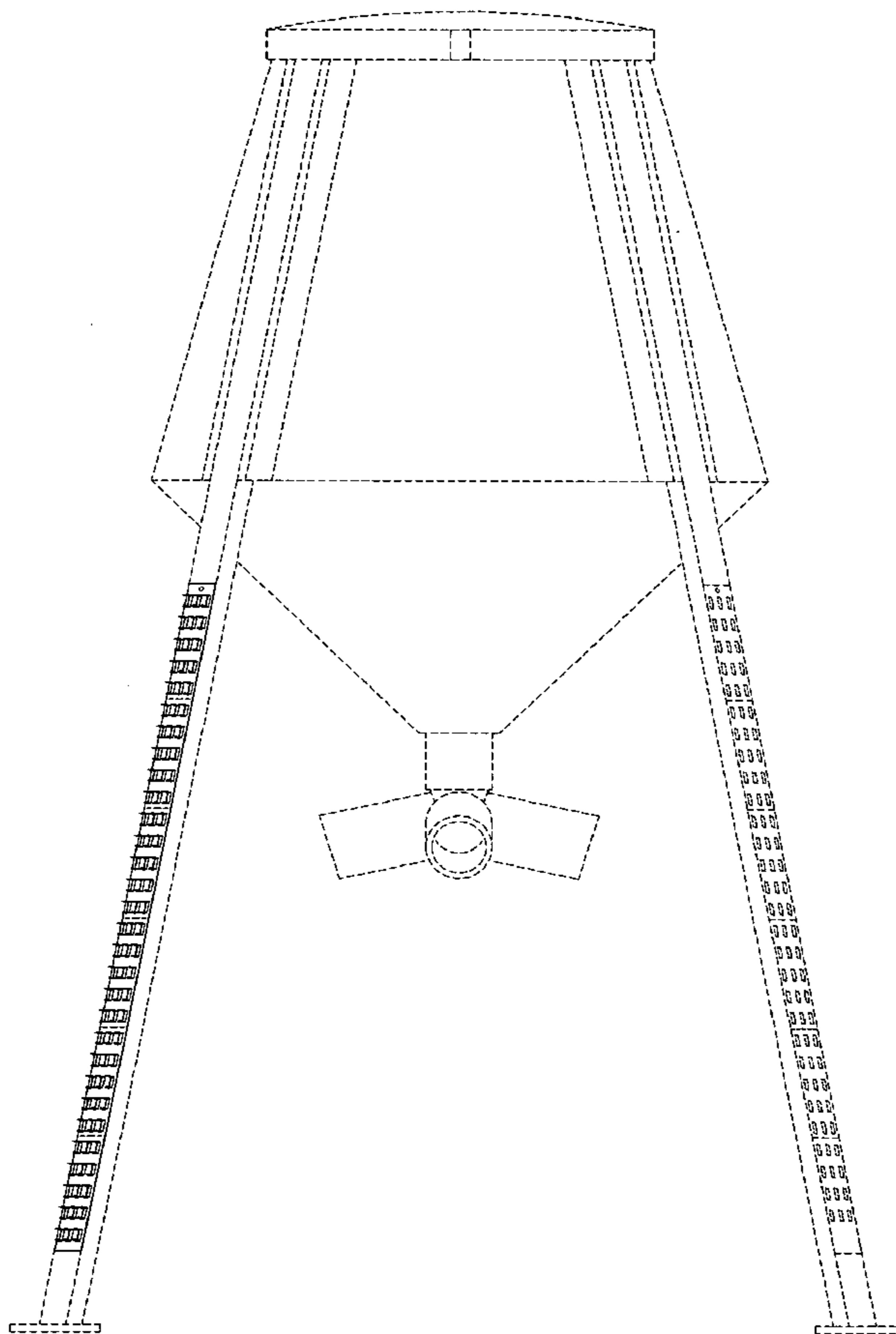
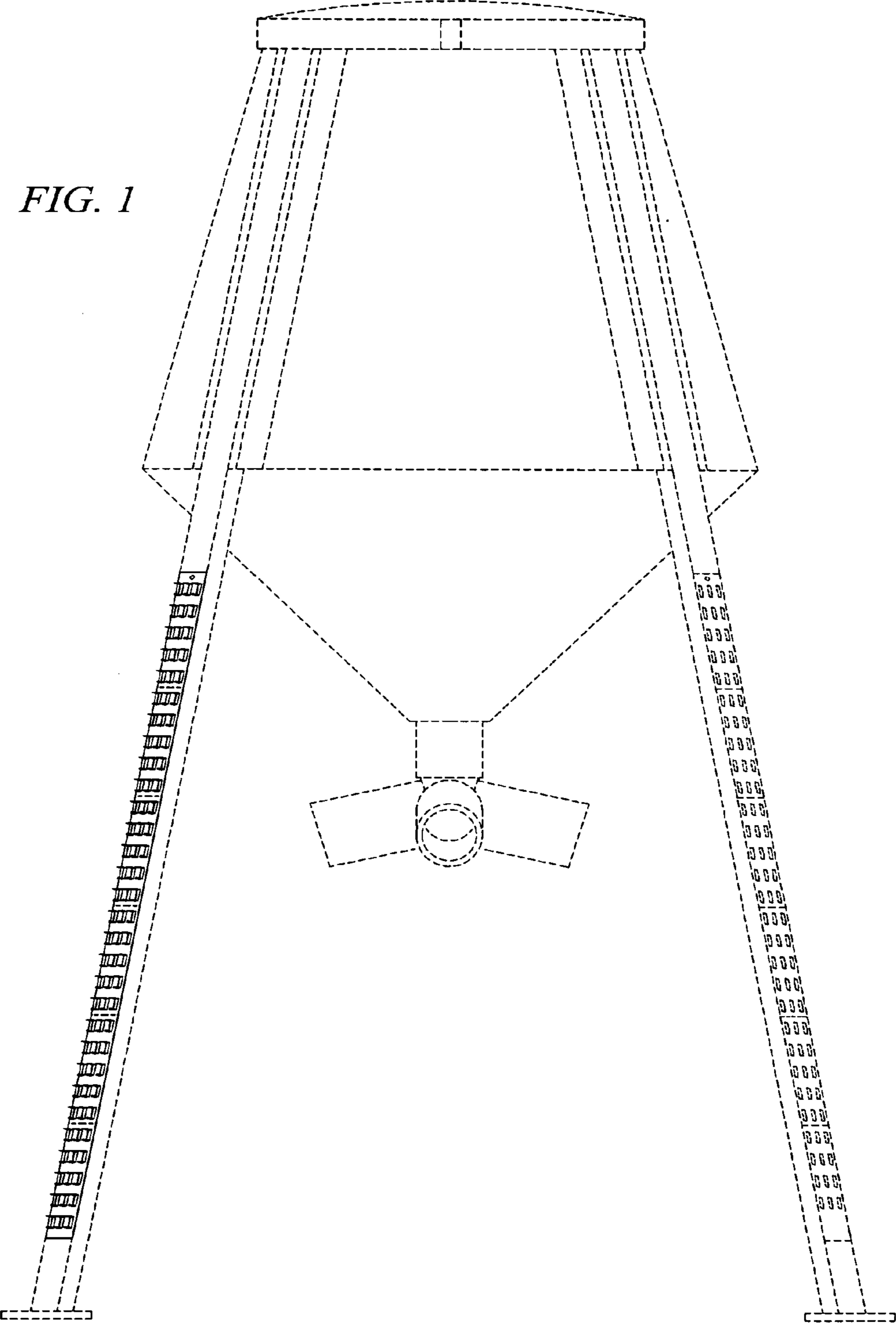
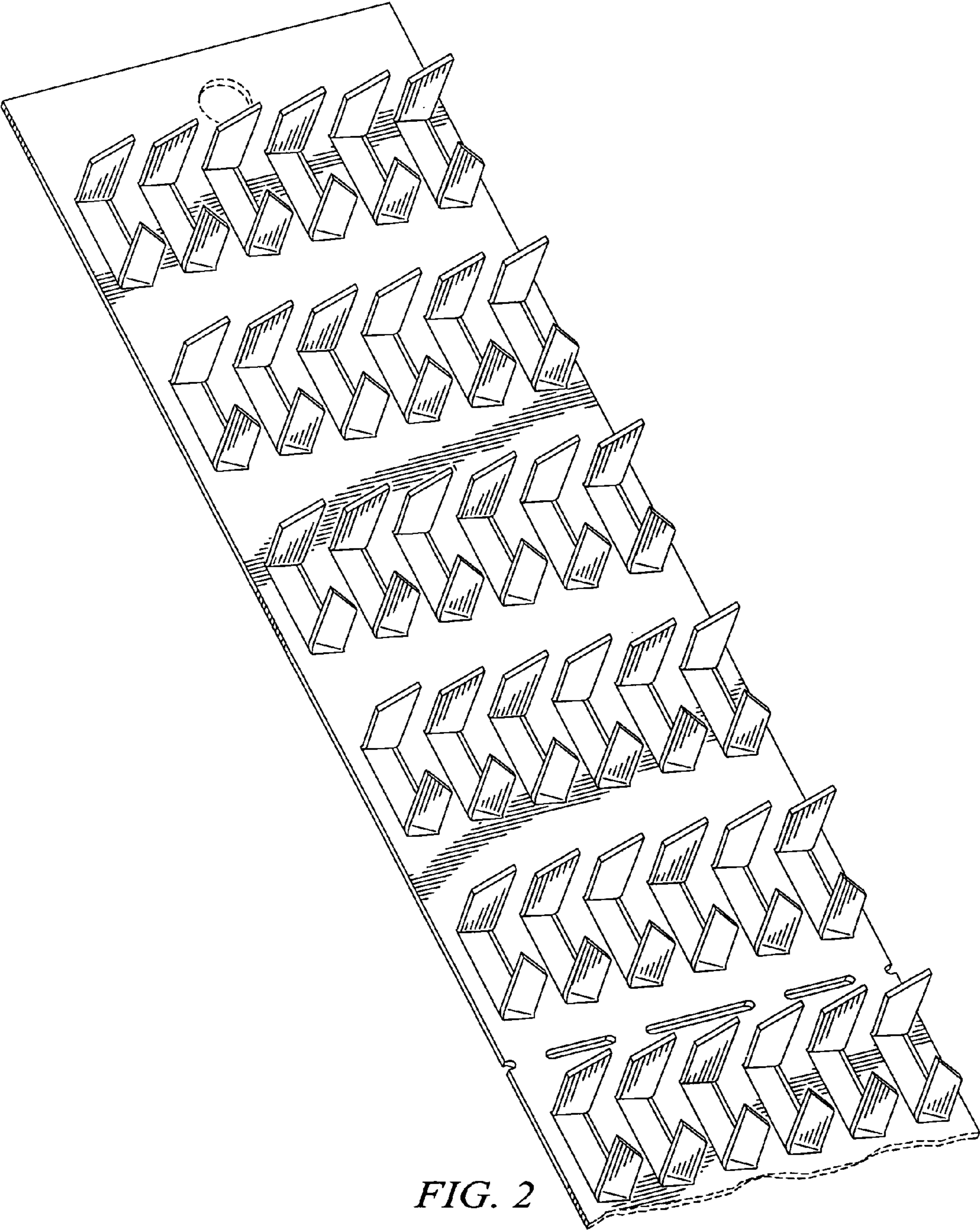


FIG. 1





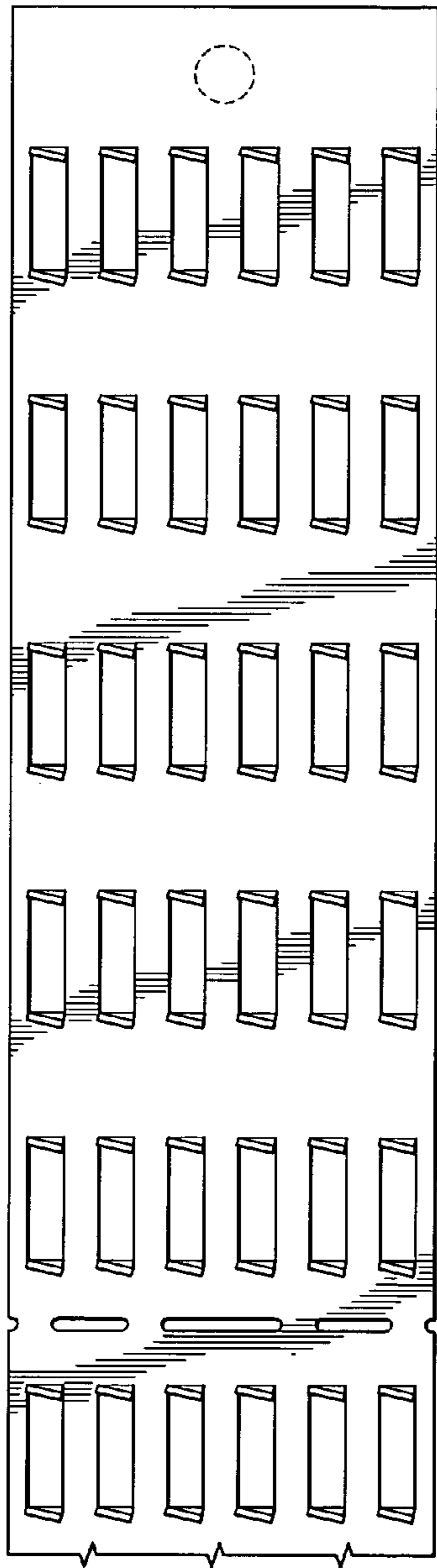


FIG. 3



FIG. 4

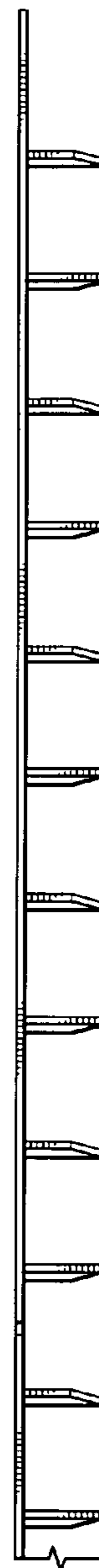


FIG. 5

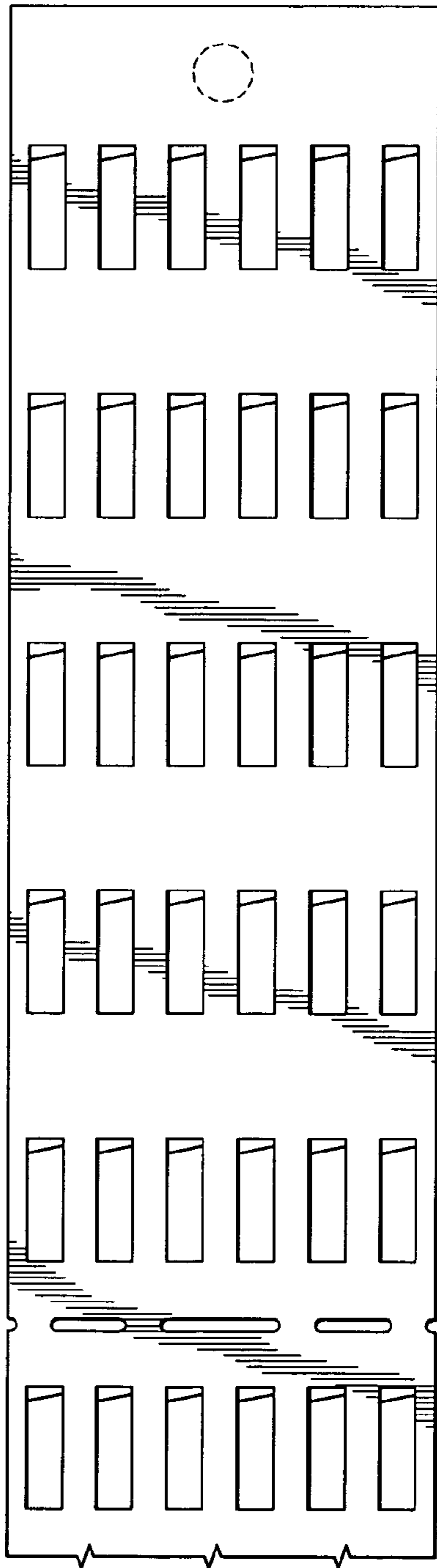


FIG. 6

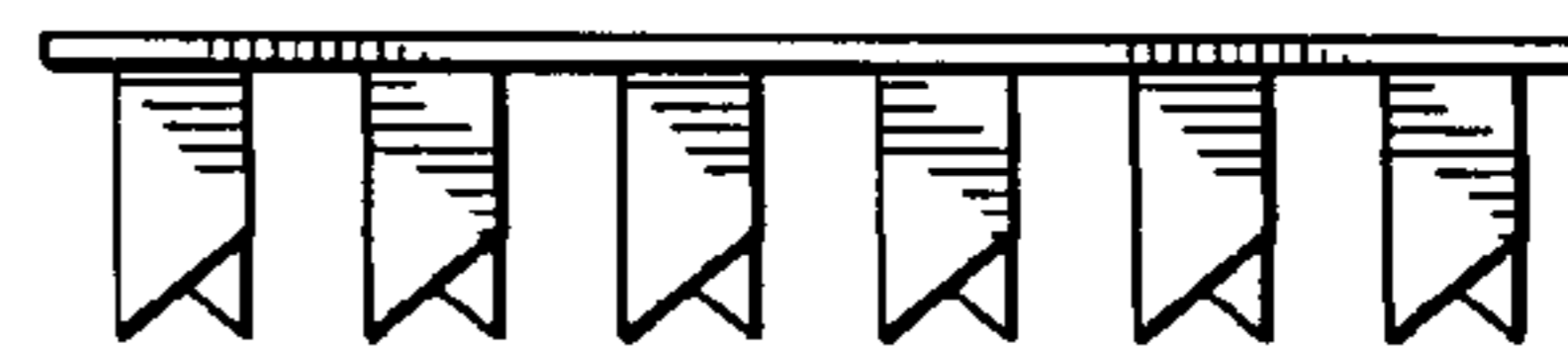


FIG. 7