



US00D610645S

(12) **United States Design Patent**  
**Bicknese et al.**

(10) **Patent No.:** **US D610,645 S**

(45) **Date of Patent:** **\*\* Feb. 23, 2010**

(54) **CHILD'S SAFETY SWING ATTACHMENT**

(76) Inventors: **Tiffinae Bicknese**, 6955 SW. Nyberg St.,  
Apt. T103, Tualatin, OR (US) 97062;  
**Paul Bicknese**, 6955 SW. Nyberg St.,  
Apt. T103, Tualatin, OR (US) 97062

(\*\*) Term: **14 Years**

(21) Appl. No.: **29/313,318**

(22) Filed: **Dec. 29, 2008**

(51) **LOC (9) Cl.** ..... **21-03**

(52) **U.S. Cl.** ..... **D21/823**

(58) **Field of Classification Search** ..... D21/823-833;  
D3/214; 224/159; 472/118-125; 297/484,  
297/485, 276

See application file for complete search history.

(56) **References Cited**

U.S. PATENT DOCUMENTS

2,411,721	A *	11/1946	Hancock et al.	.....	224/159
D176,433	S *	12/1955	Stringini	.....	D3/214
3,575,326	A *	4/1971	Chappell	.....	224/159
4,068,786	A *	1/1978	Taniguchi	.....	224/159
D284,525	S *	7/1986	LeMaistre	.....	D3/214
5,533,934	A *	7/1996	Miller	.....	472/118
5,676,426	A *	10/1997	Herring	.....	297/484

5,733,014	A *	3/1998	Murray	.....	297/485
5,839,965	A *	11/1998	Mullins	.....	472/118
D549,798	S *	8/2007	Mead	.....	D21/823
2005/0104427	A1 *	5/2005	Miezwa	.....	297/273

\* cited by examiner

*Primary Examiner*—Mitchell I Siegel

(74) *Attorney, Agent, or Firm*—Richard L. Mikesell

(57) **CLAIM**

The ornamental design for a child's safety swing attachment,  
as shown and described.

**DESCRIPTION**

FIG. 1 is top right perspective view;

FIG. 2 is a top plan view;

FIG. 3 is a bottom plan view;

FIG. 4 is a left side elevation;

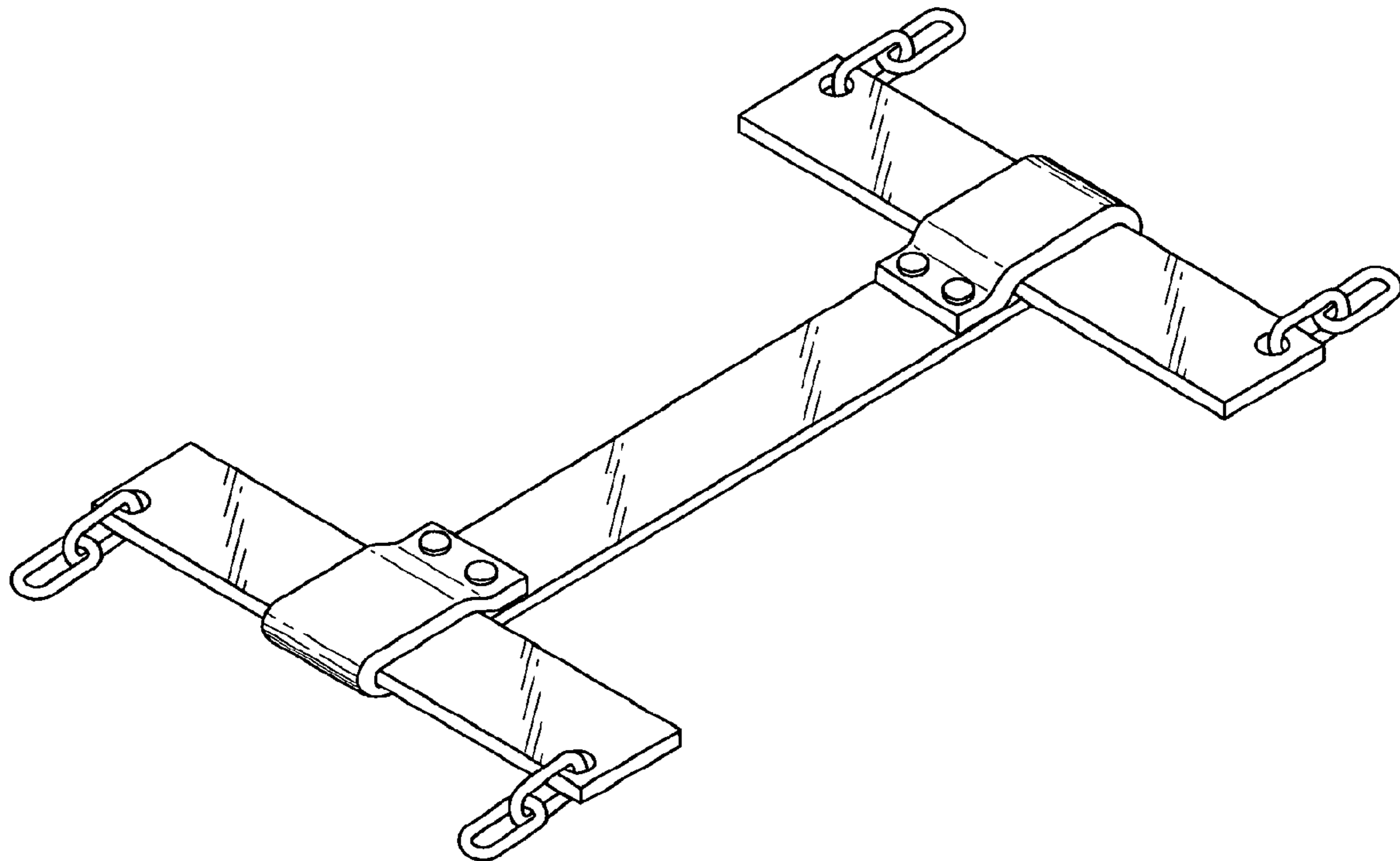
FIG. 5 is a right side elevation;

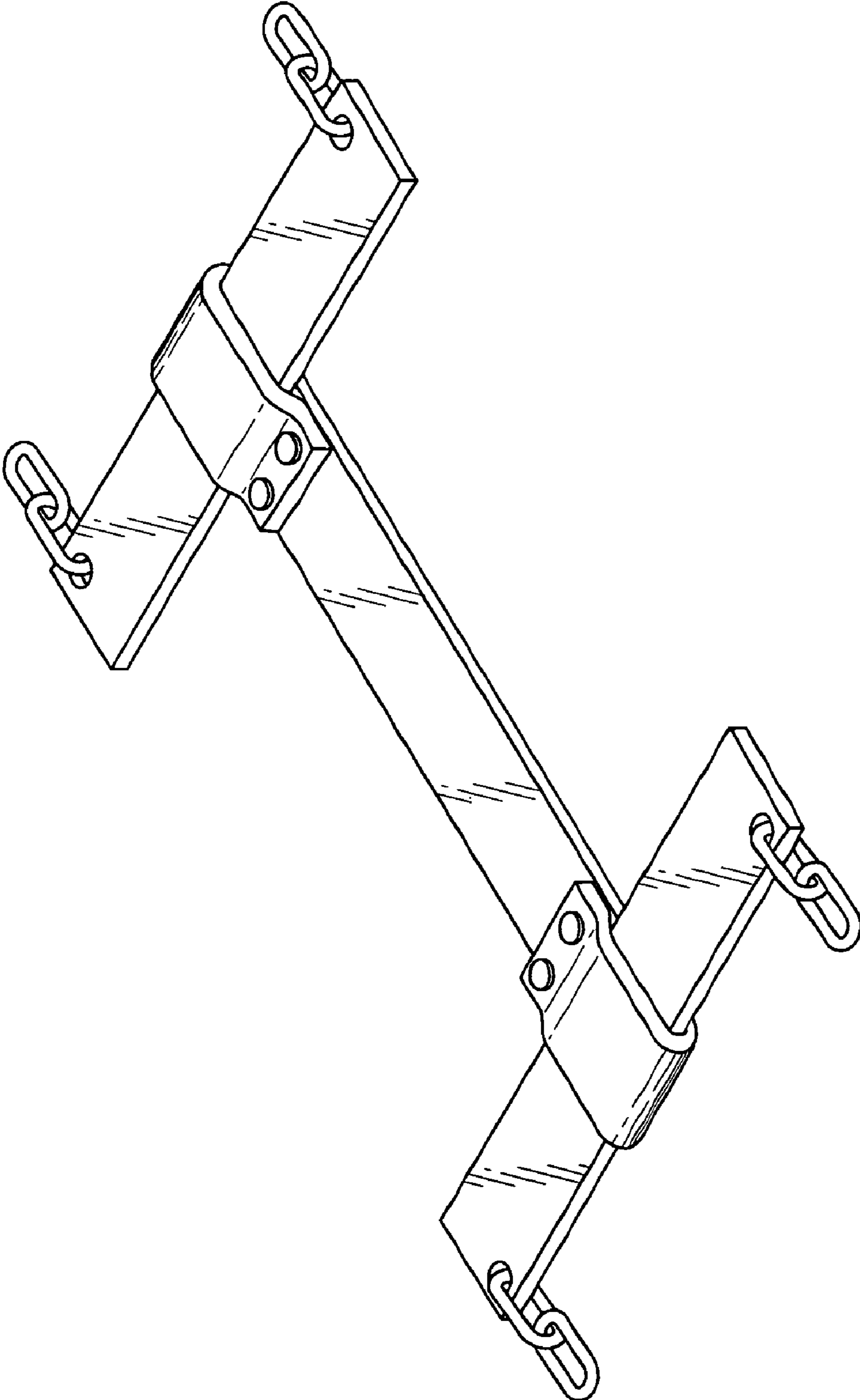
FIG. 6 is a front elevation; and,

FIG. 7 is a rear elevation.

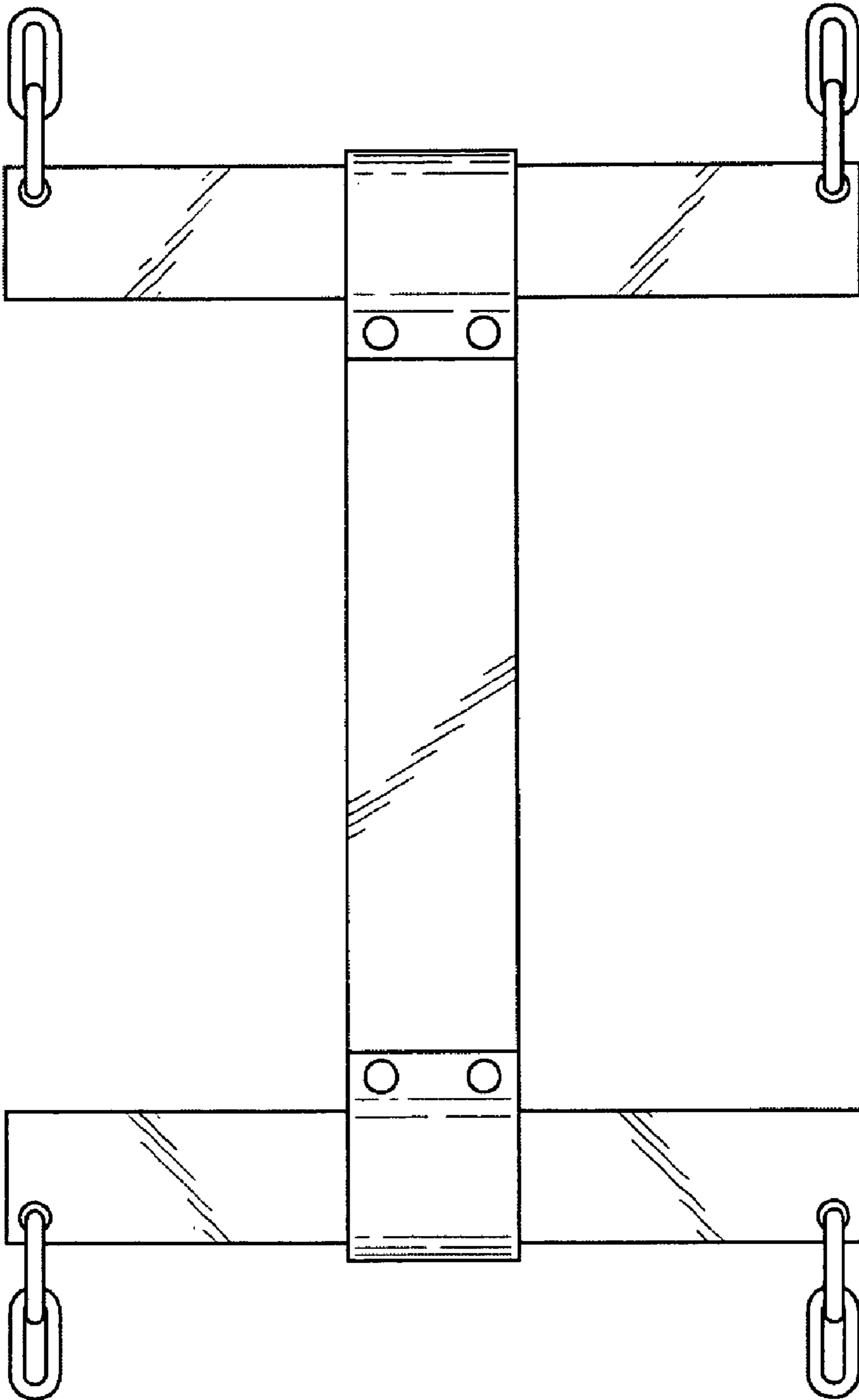
The bottom of the attachment is plain and unadorned. The  
swing is not claimed.

**1 Claim, 4 Drawing Sheets**

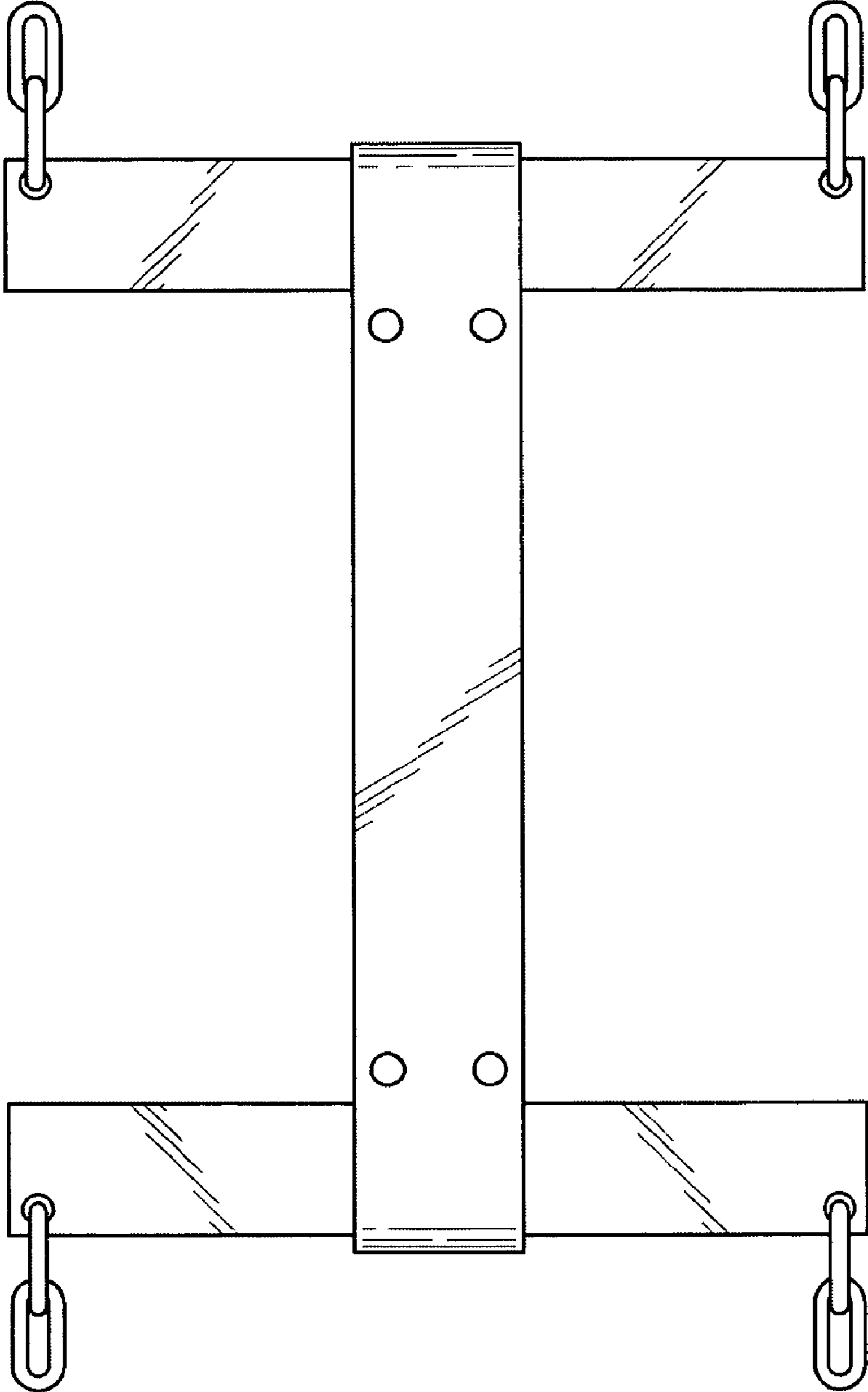




**Fig. 1**



**Fig. 2**



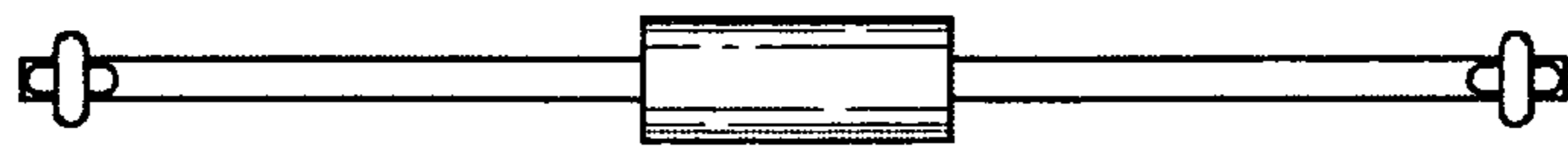
**Fig. 3**



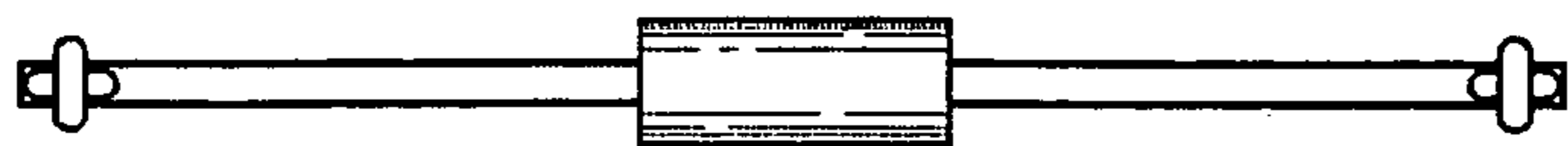
**Fig. 4**



**Fig. 5**



**Fig. 6**



**Fig. 7**