



US00D610644S

(12) **United States Design Patent**
Song

(10) **Patent No.:** **US D610,644 S**

(45) **Date of Patent:** **** Feb. 23, 2010**

(54) **GOLF TEE HOLDER AND COORDINATED PAIR OF GOLF TEES**

(74) *Attorney, Agent, or Firm*—QuickPatents, Inc.; Kevin Prince

(76) Inventor: **Simon H. Song**, 40-04 166 St., Flushing, NY (US) 11358

(57) **CLAIM**

(**) Term: **14 Years**

I claim the ornamental design for a golf tee holder and coordinated pair of golf tees, as shown and described.

(21) Appl. No.: **29/334,401**

(22) Filed: **Mar. 25, 2009**

DESCRIPTION

(51) **LOC (9) Cl.** **21-02**

(52) **U.S. Cl.** **D21/796**

(58) **Field of Classification Search** D21/789,
D21/796, 717; 473/284, 387-403; D9/415,
D9/466; D3/221, 318, 320, 904; 206/315.1,
206/315.5; 224/918

See application file for complete search history.

FIG. 1 is an exploded perspective view of a golf tee holder and coordinated pair of golf tees, a golf tee holder of the invention illustrated in an open position, showing my new design;

FIG. 2 is a perspective view thereof in a closed position;

FIG. 3 is a front elevational view thereof, illustrated in the open position, a pair of golf tees engaged with the golf tee holder;

FIG. 4 is a rear elevational view thereof, illustrated in the closed position;

FIG. 5 is a left-side elevational view thereof, illustrated in the closed position, the right-side elevational view being a mirror image thereof;

FIG. 6 is a rear elevational view of the coordinated pair of golf tees;

FIG. 7 is a top plan view of the golf tee holder, illustrated in the open position;

FIG. 8 is a bottom plan view thereof;

FIG. 9 is a top plan view of one of the pair of golf tees; and,

FIG. 10 is a bottom plan view thereof.

The broken lines in the drawings depicting a church printed on the golf tee holder and a tuxedo and dress indicia printed on one each of the golf tees are included for the purpose of illustrating the invention in use, and form no part of the claimed design. The broken lines on the golf tee holder in FIG. 3 depict fold lines, and form no part of the claimed design.

(56) **References Cited**

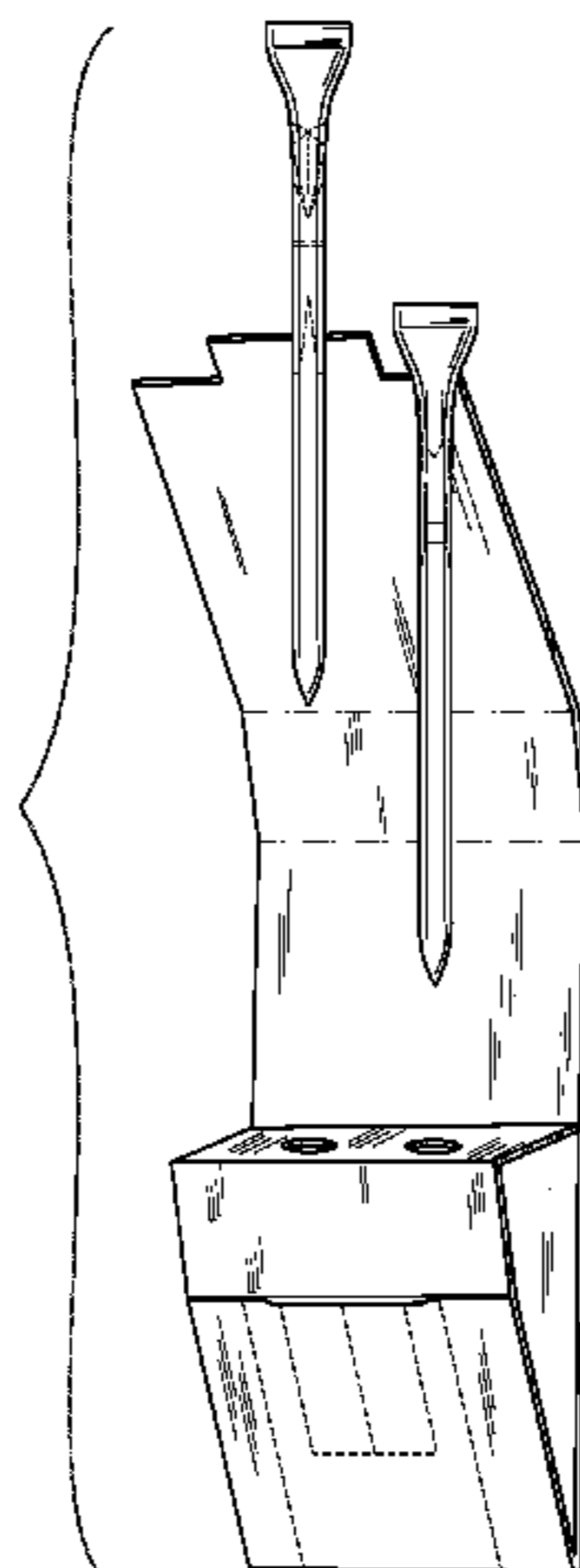
U.S. PATENT DOCUMENTS

1,789,910	A *	1/1931	Marks et al.	206/315.1
1,806,797	A	5/1931	Guiterman		
2,898,110	A	8/1959	Overbaugh		
3,272,412	A	9/1966	Antonious		
4,011,943	A *	3/1977	Galli et al.	206/744
4,645,105	A	2/1987	Plumbridge		
4,678,882	A *	7/1987	Bohrer et al.	219/730
5,087,079	A	2/1992	Morris, Jr.		
5,158,179	A *	10/1992	Gosselin	206/315.1
D338,254	S *	8/1993	Ribbeck	D3/224
5,476,289	A	12/1995	Hoyt		
5,503,396	A	4/1996	Veylupek, Jr.		
5,759,119	A	6/1998	Ayoub		
5,782,708	A *	7/1998	Kimball, Jr.	473/408
D405,860	S *	2/1999	Hargrove	D21/796
5,868,143	A *	2/1999	Nielsen	131/329
5,890,976	A	4/1999	Anderson		
D412,958	S *	8/1999	Sisson	D21/796
6,006,914	A	12/1999	Moore, Jr.		
D424,931	S *	5/2000	Teasdale et al.	D9/418

(Continued)

Primary Examiner—Mitchell I Siegel

1 Claim, 4 Drawing Sheets



US D610,644 S

Page 2

U.S. PATENT DOCUMENTS

D425,788 S *	5/2000	Teasdale et al.	D9/418	6,988,646 B2	1/2006	White	
D431,775 S *	10/2000	Plattner et al.	D9/415	D522,055 S	5/2006	Crippen	
6,679,792 B1	1/2004	Dorfinan		D543,104 S *	5/2007	Frederiksen	D9/422
6,691,905 B2	2/2004	Berdan		2005/0064959 A1	3/2005	Ortiz	
D489,112 S *	4/2004	Jacome	D21/796	2005/0233838 A1	10/2005	Kahl	
D505,473 S	5/2005	Foley		2007/0298910 A1	12/2007	Potempa	

* cited by examiner

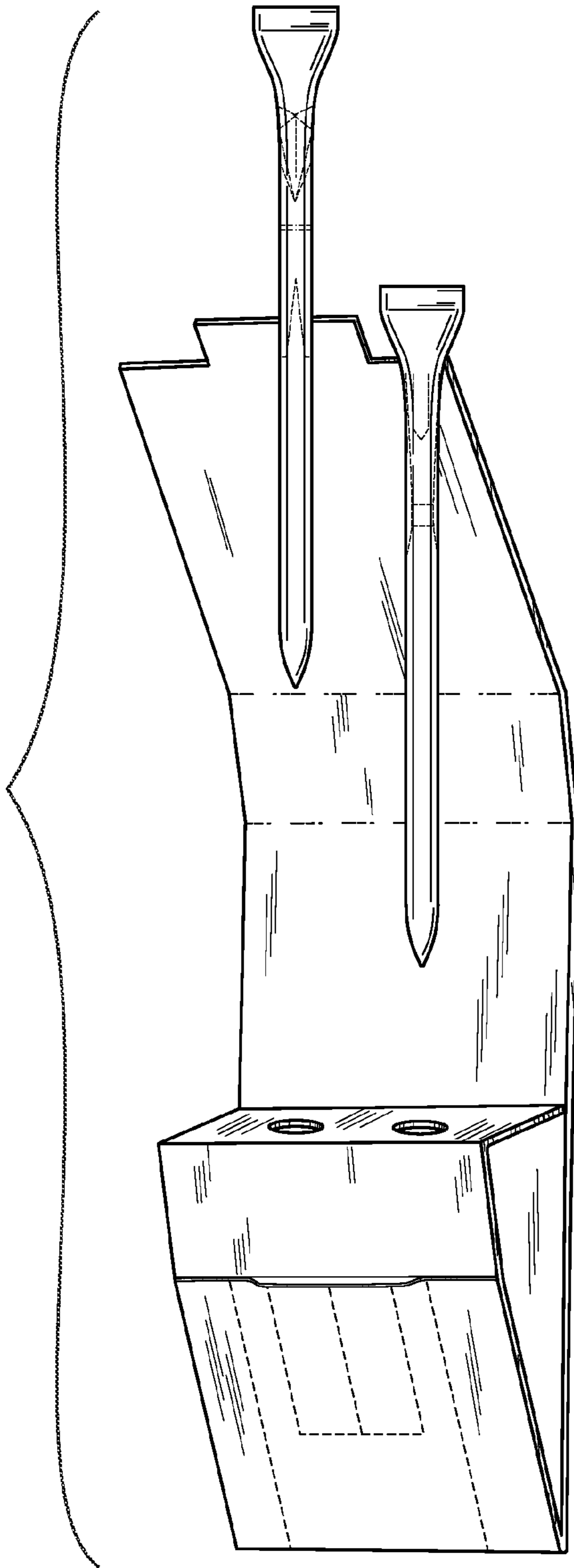


FIG. 1

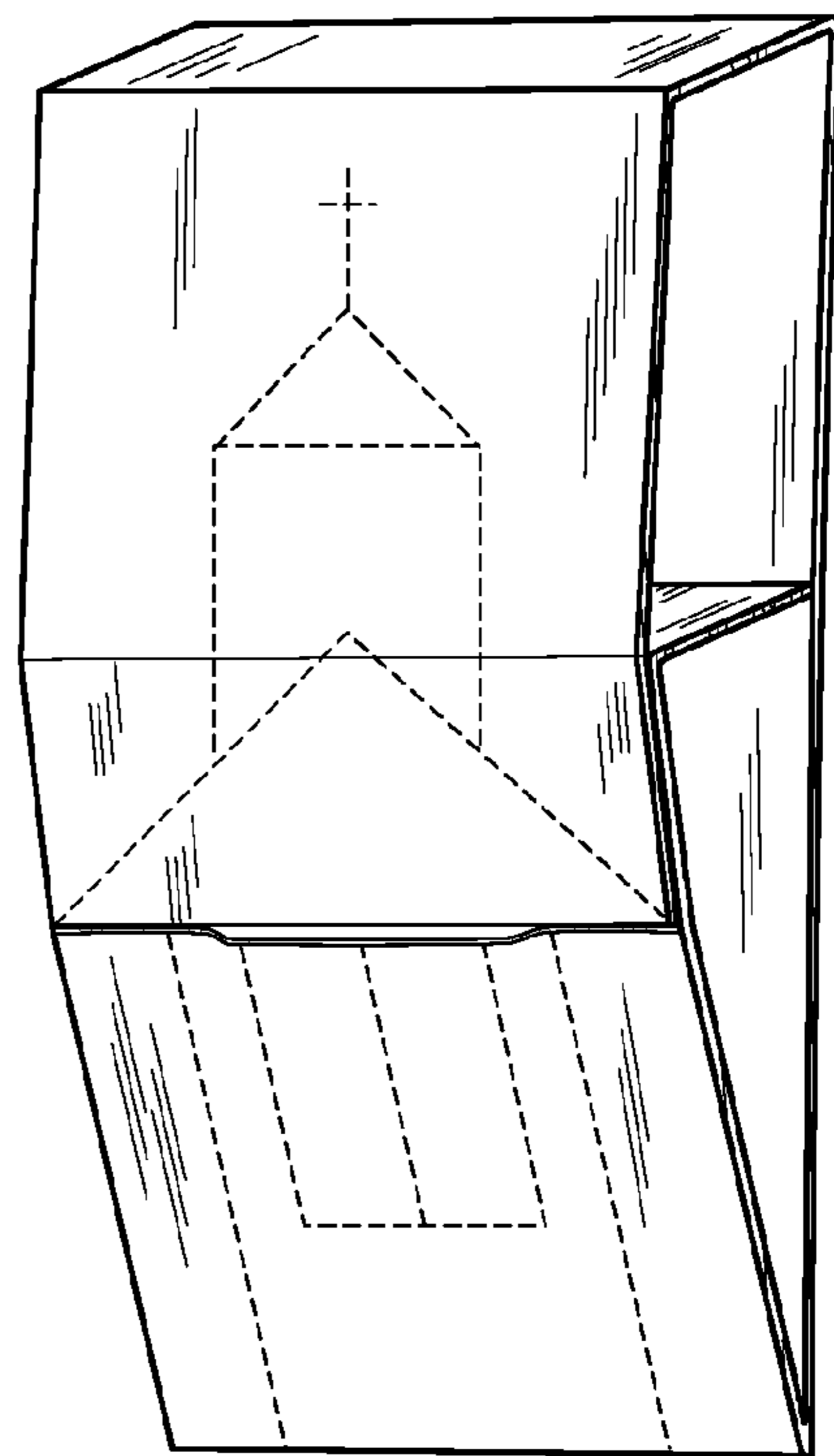


FIG. 2

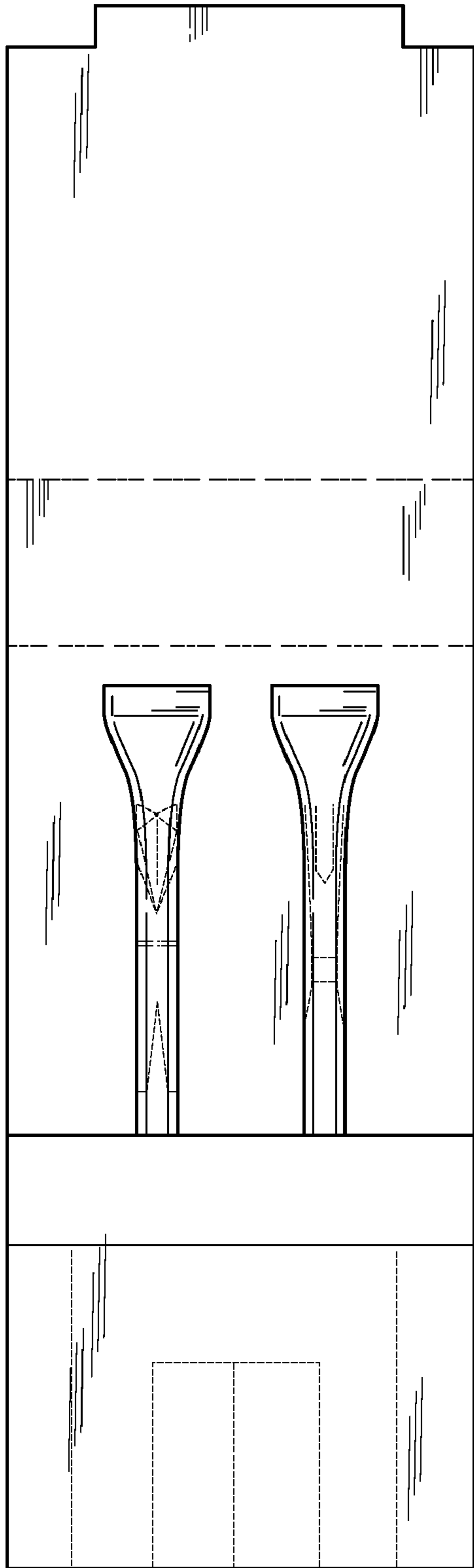


FIG. 3

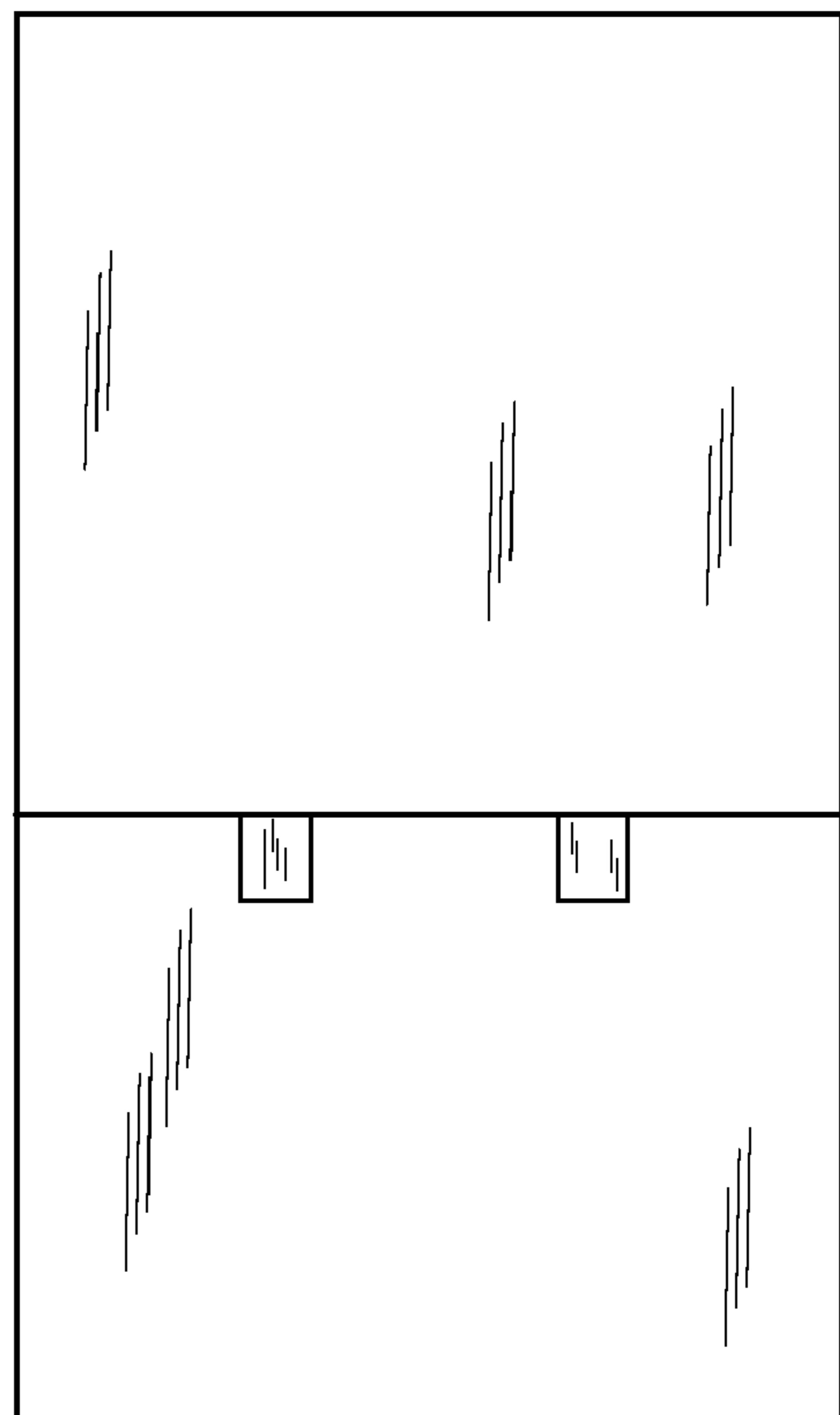


FIG. 4

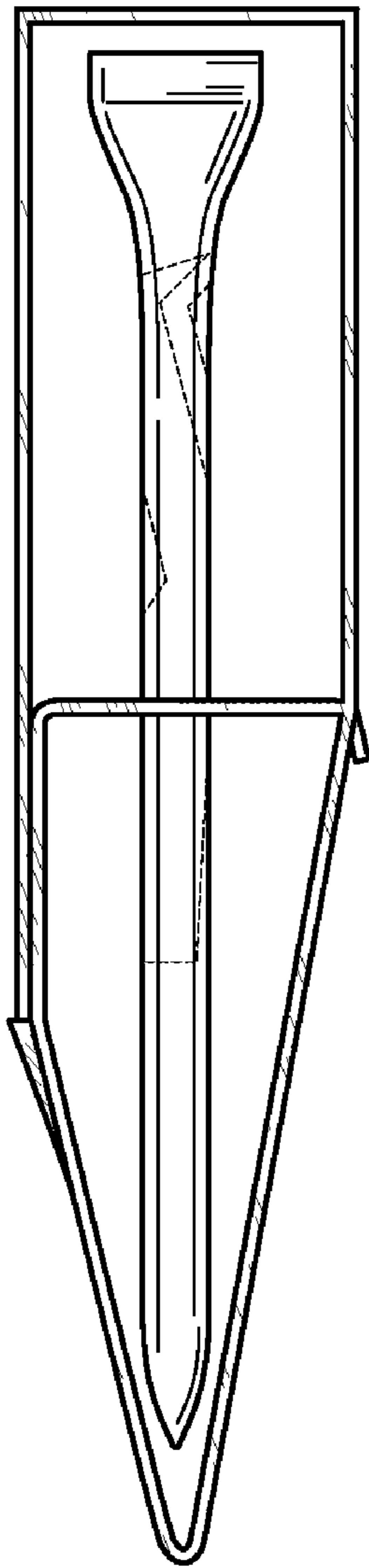


FIG. 5

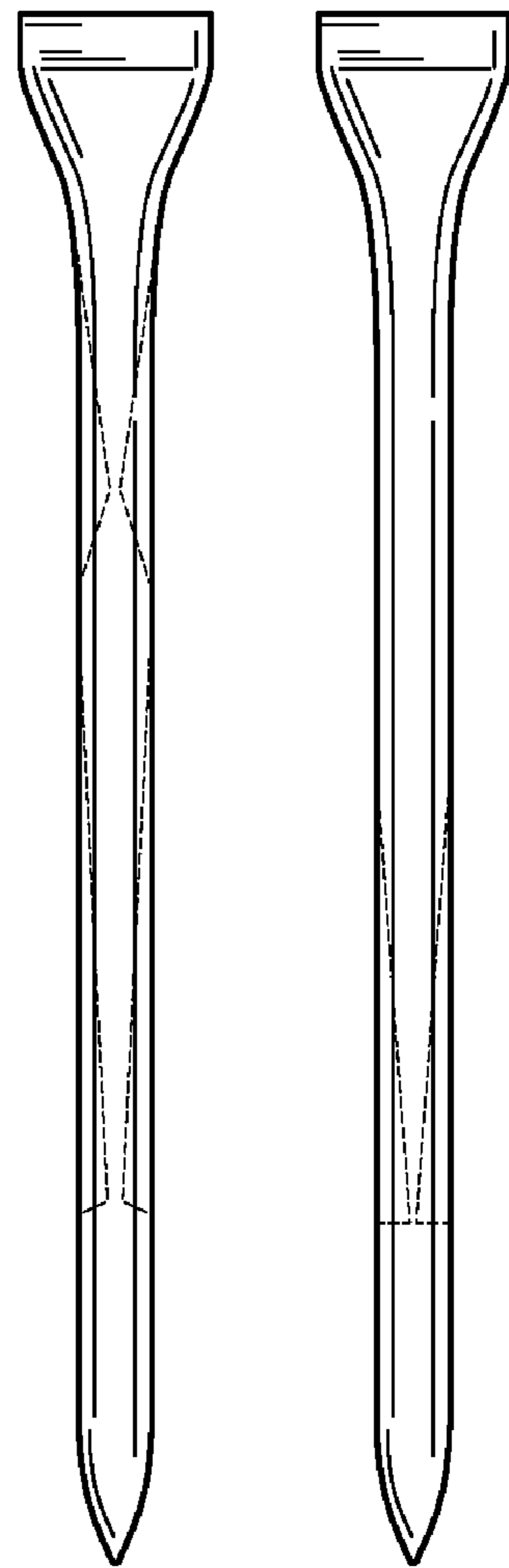


FIG. 6

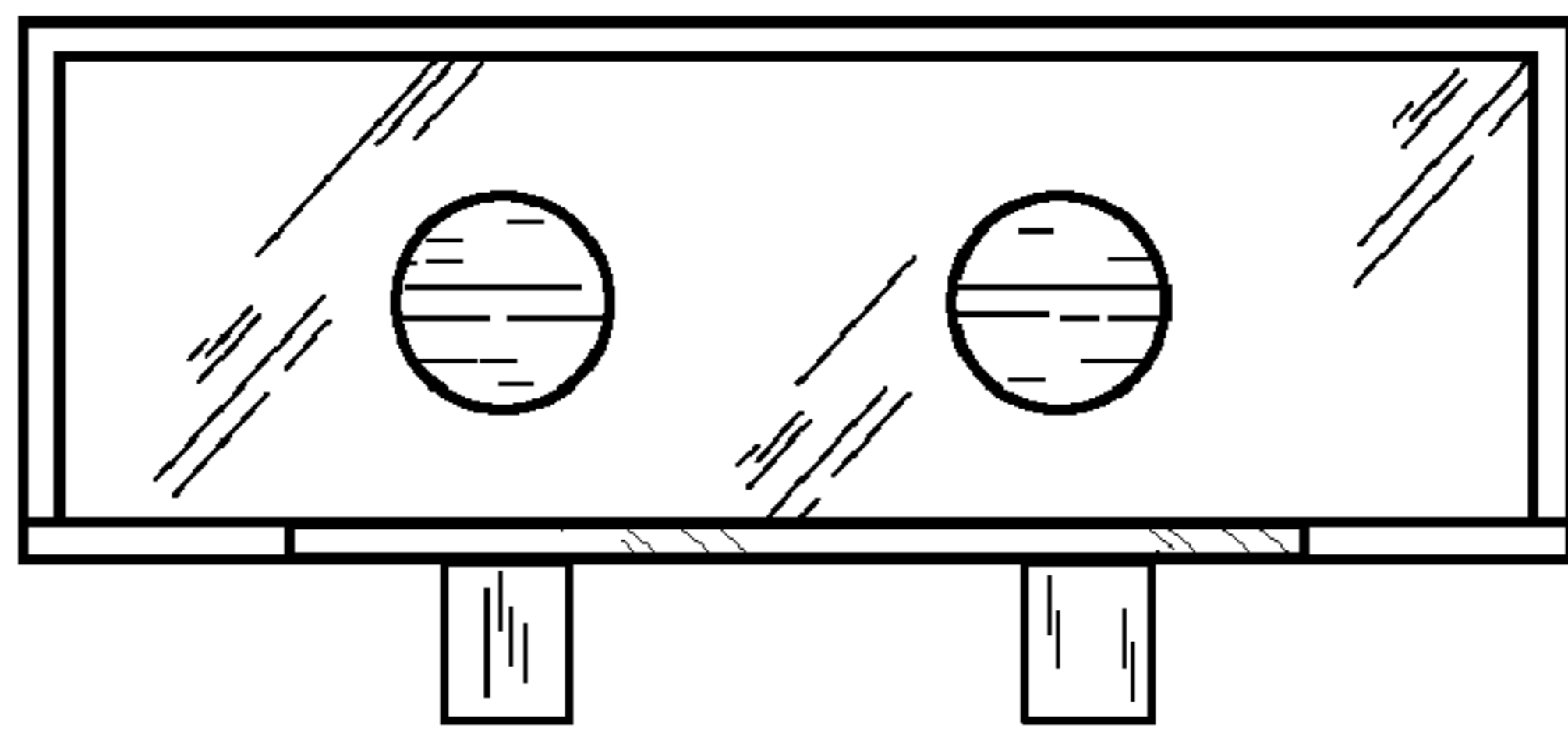


FIG. 7

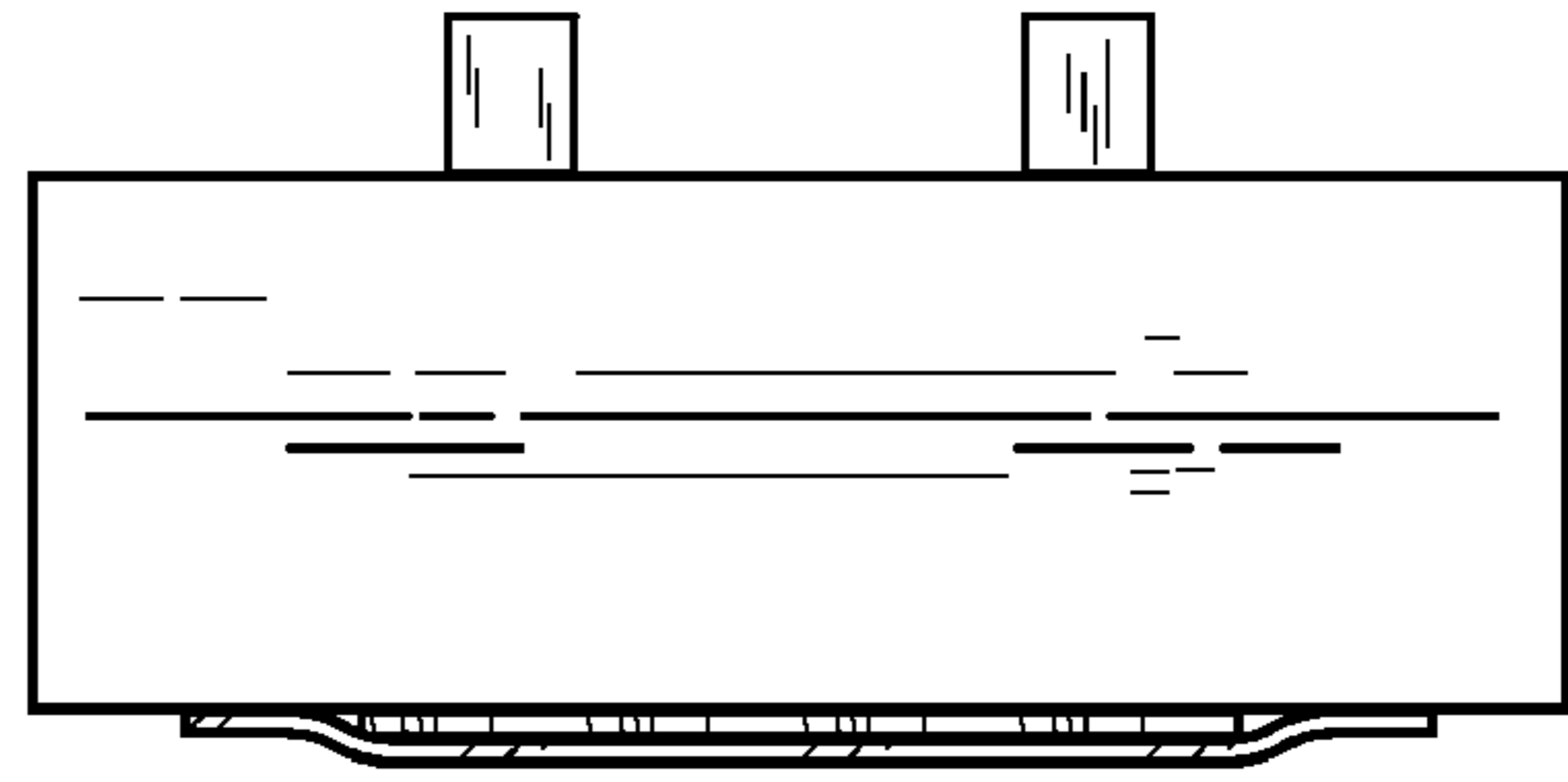


FIG. 8



FIG. 9

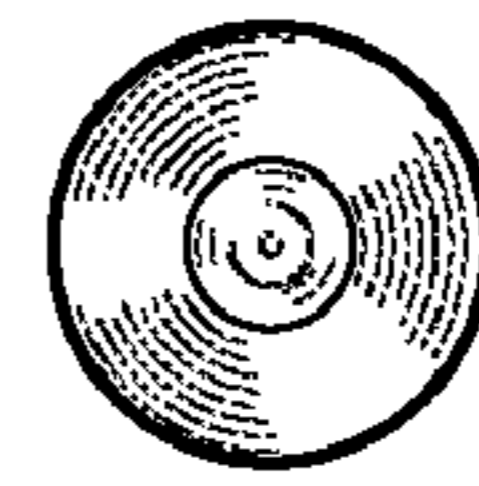


FIG. 10