



US00D610643S

(12) **United States Design Patent**  
**Chen**

(10) **Patent No.:** **US D610,643 S**

(45) **Date of Patent:** **\*\* Feb. 23, 2010**

(54) **SIDEWAYS INLINE SKATE WITH FOOT PLATFORM**

(75) Inventor: **Shane Chen**, 4901 NW. Camas Meadows Dr., Camas, WA (US) 98607

(73) Assignee: **Shane Chen**, Camas, WA (US)

(\*\*) Term: **14 Years**

(21) Appl. No.: **29/338,094**

(22) Filed: **Jun. 4, 2009**

(51) **LOC (9) Cl.** ..... **21-02**

(52) **U.S. Cl.** ..... **D21/764**

(58) **Field of Classification Search** ..... D21/760, D21/763, 764, 771, 779; D12/107; 280/87.042, 280/11.19, 11.24, 11.27, 11.227, 11.212, 280/11.204, 11.201, 11.209, 11.221, 11.223, 280/809, 811, 828, 29, 200; D8/375  
See application file for complete search history.

(56) **References Cited**

**U.S. PATENT DOCUMENTS**

- 2,679,401 A \* 5/1954 Williams ..... 280/11.227
- D233,619 S \* 11/1974 Kelling ..... D21/763
- D238,803 S \* 2/1976 Sessa ..... D21/763
- 5,601,299 A \* 2/1997 Yun et al. .... 280/87.042
- D505,469 S \* 5/2005 Joung et al. .... D21/765

- 7,059,613 B2 \* 6/2006 Farrelly et al. .... 280/11.27
- D535,714 S \* 1/2007 Cheng et al. .... D21/763
- 7,341,261 B2 \* 3/2008 Shing ..... 280/11.27
- D567,318 S \* 4/2008 Farrelly et al. .... D21/763
- D580,132 S \* 11/2008 Lin ..... D21/763
- 2004/0041359 A1 \* 3/2004 Im ..... 280/11.25

\* cited by examiner

*Primary Examiner*—Philip S Hyder  
*Assistant Examiner*—Cynthia M Chin

(57) **CLAIM**

The ornamental design for a sideways inline skate with foot platform, as shown and described.

**DESCRIPTION**

FIG. 1 is a top plan view thereof;  
FIG. 2 is a bottom plan view thereof;  
FIG. 3 is a front elevational view thereof, the back elevational view thereof being identical;  
FIG. 4 is a left side elevational view thereof, the right side elevational view thereof being identical; and,  
FIG. 5 is a perspective view thereof.

The broken lines represent the bounds of the claim which form no part of the claimed design.

**1 Claim, 5 Drawing Sheets**

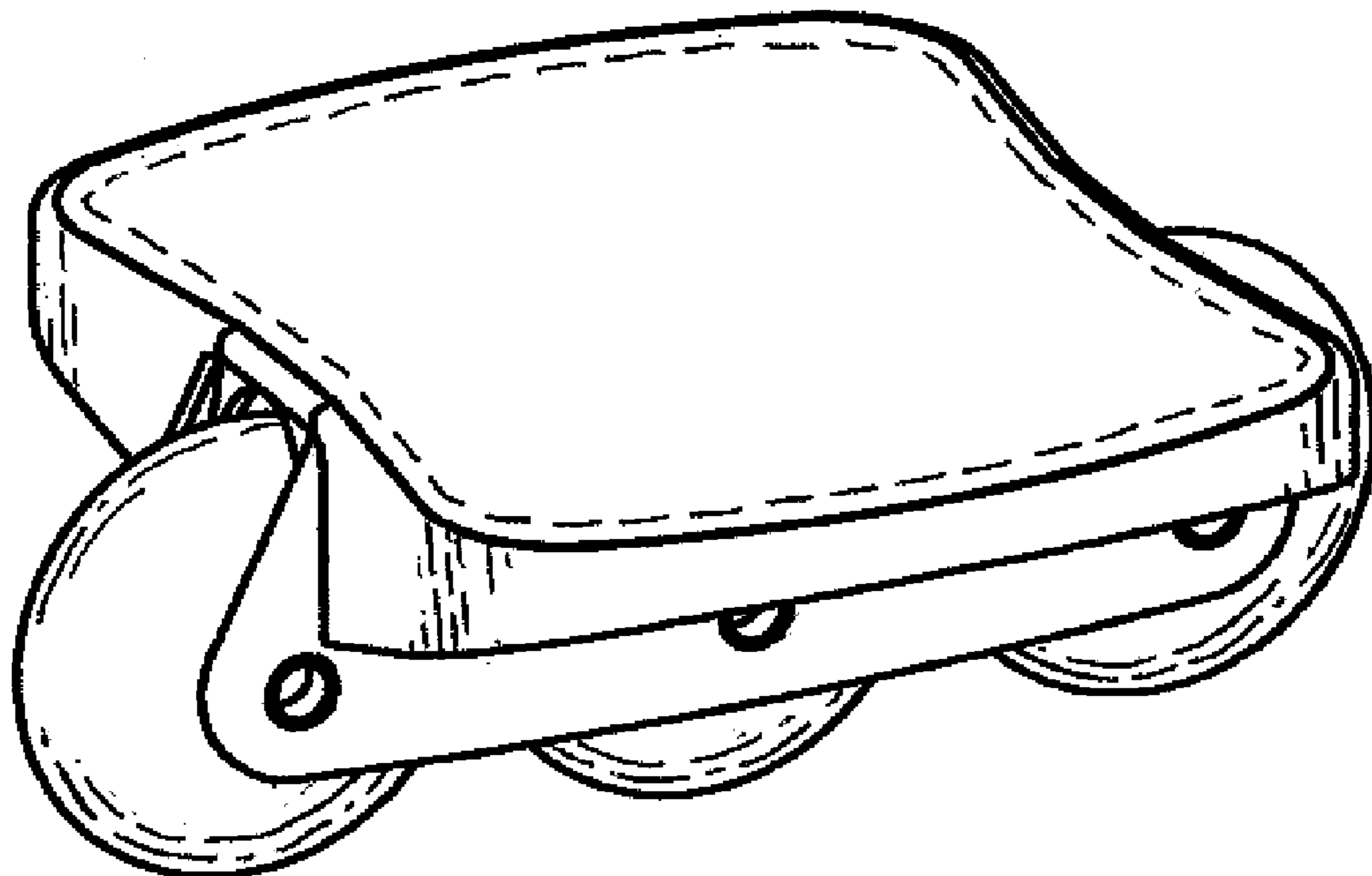


Fig. 1

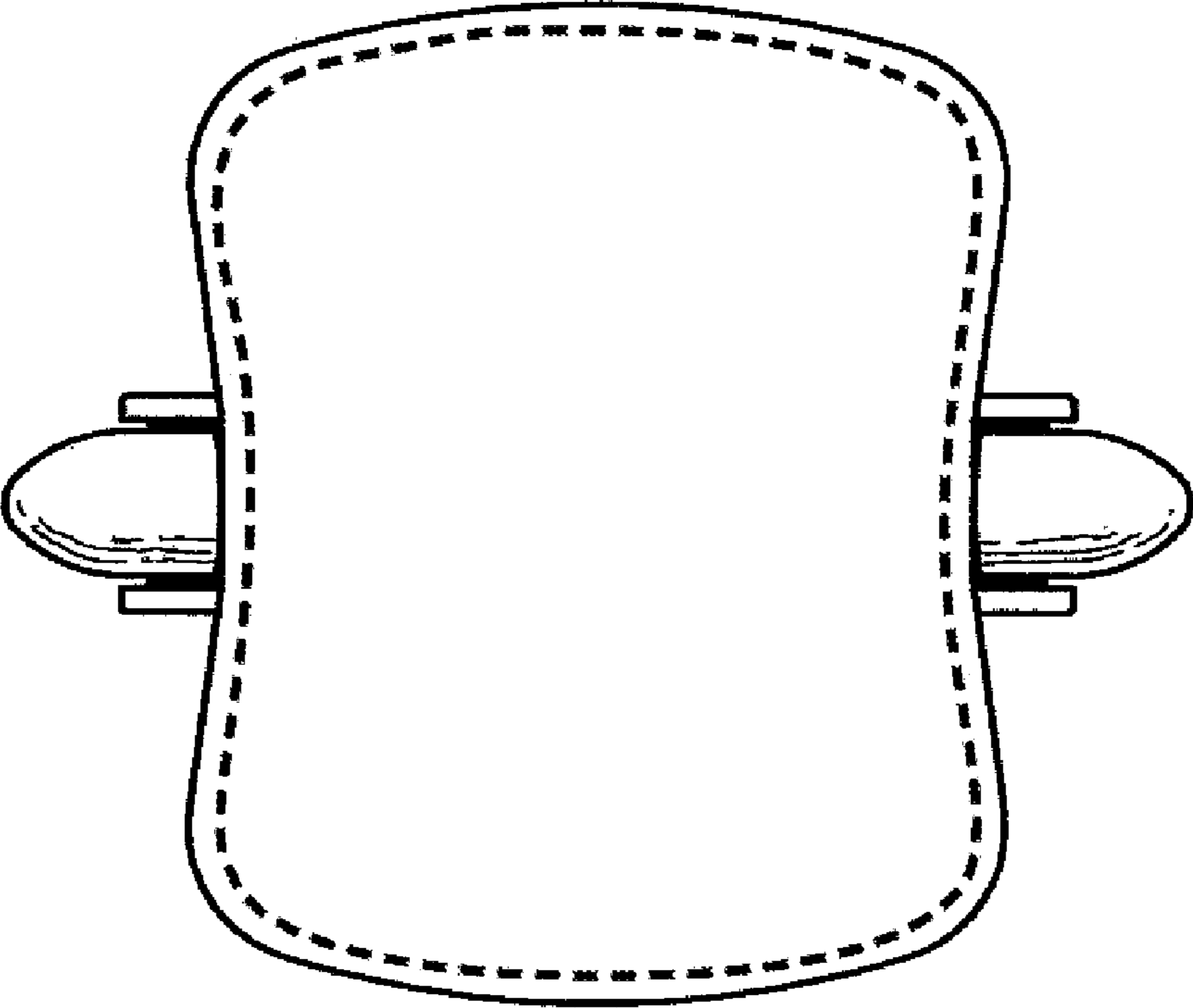


Fig. 2

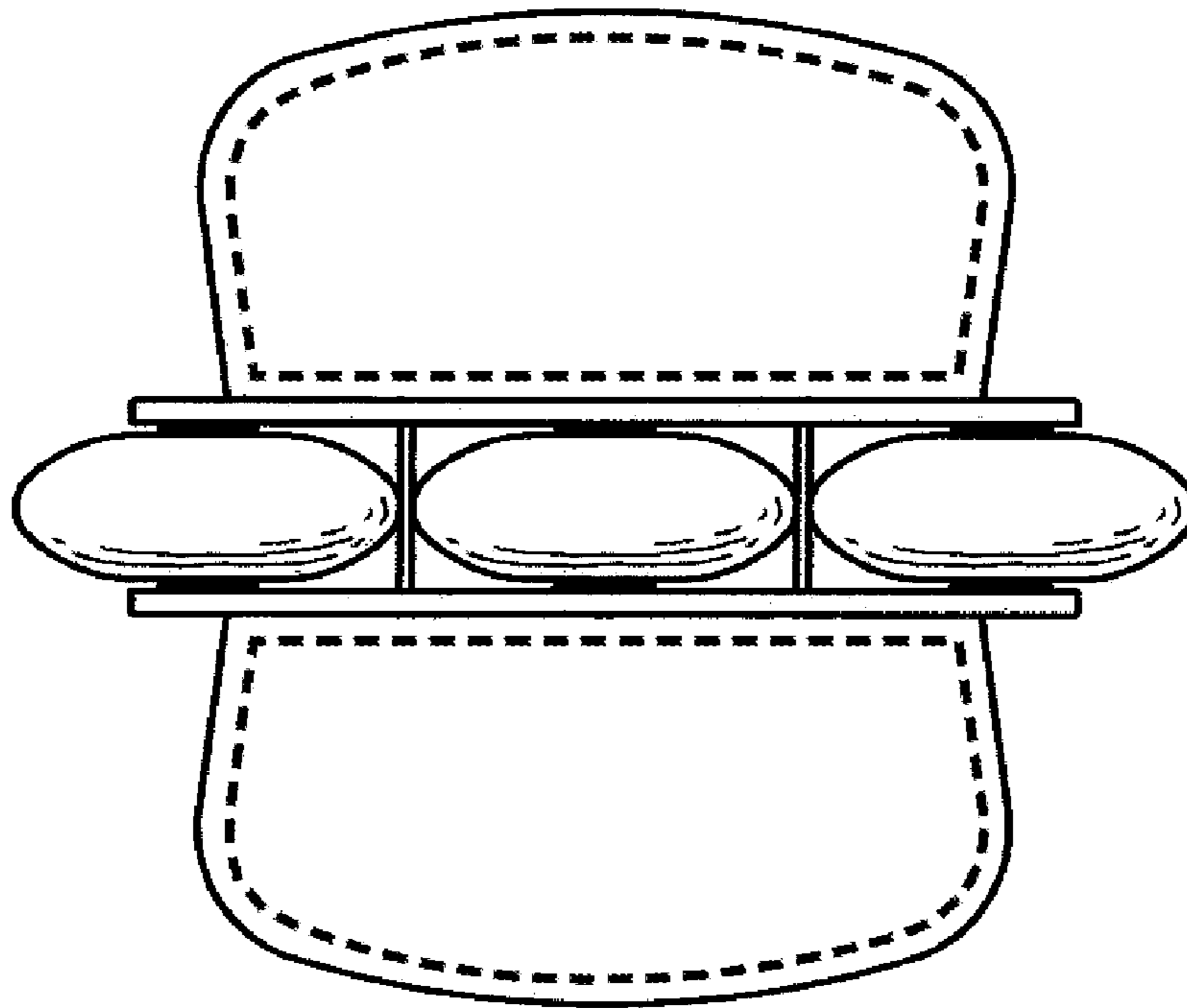


Fig. 3

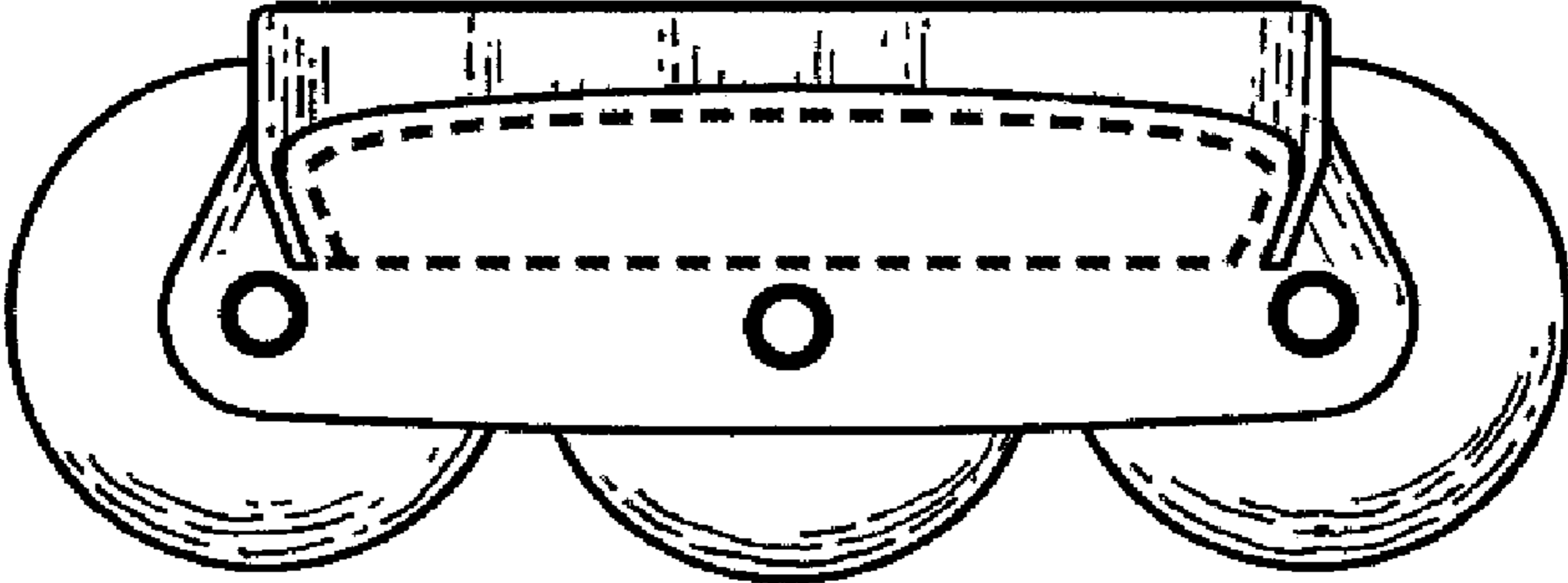


Fig. 4

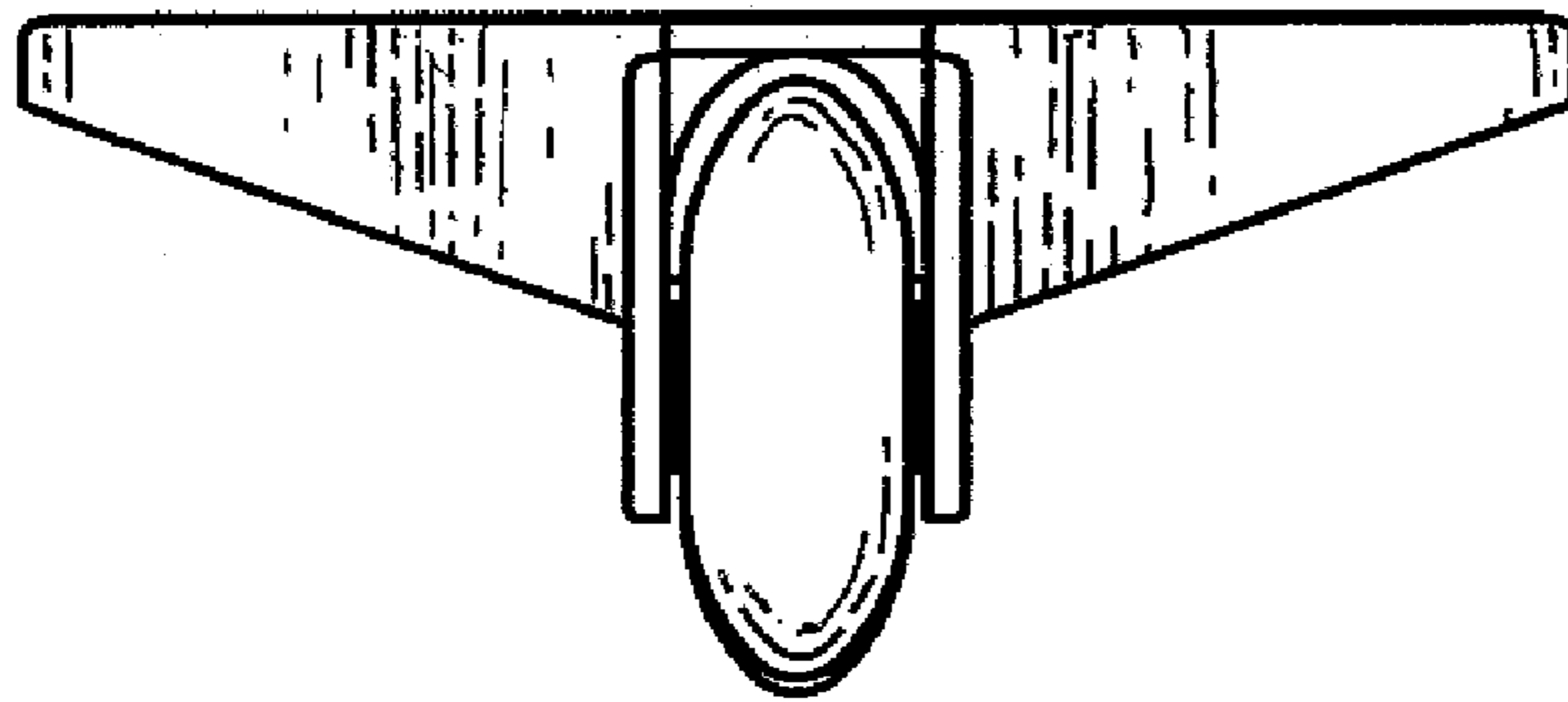


Fig. 5

