



US00D610640S

(12) **United States Design Patent**
Steinhobel

(10) **Patent No.:** **US D610,640 S**

(45) **Date of Patent:** **** Feb. 23, 2010**

(54) **GOLF TEE**

2007/0149324 A1* 6/2007 Tsai 473/387

(75) Inventor: **Brian Steinhobel**, Sandton (ZA)

FOREIGN PATENT DOCUMENTS

(73) Assignee: **Bonfit America, Inc.**, Culver City, CA
(US)

GB DES. 2039466 * 9/1994
GB DES. 2040350 * 12/1994
GB DES. 2049039 * 7/1996
JP 2006340905 A * 12/2006
WO WO 0045905 A1 * 8/2000

(**) Term: **14 Years**

(21) Appl. No.: **29/330,610**

OTHER PUBLICATIONS

(22) Filed: **Jan. 9, 2009**

Brush tees shown on webpage: <http://www.golfgeardirect.co.uk/ishop/996/shopsr445.html> retrieval date: Mar. 17, 2006.*

(51) **LOC (9) Cl.** **21-02**

* cited by examiner

(52) **U.S. Cl.** **D21/718**

Primary Examiner—Catherine Tuttle

(58) **Field of Classification Search** D21/715–721,
D21/789–796; 473/386–403

(74) *Attorney, Agent, or Firm*—Connolly Bove Lodge & Hutz; Billy A. Robbins

See application file for complete search history.

(56) **References Cited**

(57) **CLAIM**

U.S. PATENT DOCUMENTS

The ornamental design of the golf tee, as shown.

D181,633 S * 12/1957 de la Fairiest D21/718
D306,632 S * 3/1990 Gouin D21/794
6,053,822 A 4/2000 Kolodney et al.
6,139,449 A 10/2000 Cardarelli
D485,317 S 1/2004 Cardarelli
D486,538 S 2/2004 Cardarelli
D488,525 S 4/2004 Cardarelli
D491,619 S 6/2004 Crouse
D501,902 S * 2/2005 Bonfanti D21/718
2006/0100037 A1* 5/2006 Pels 473/387

DESCRIPTION

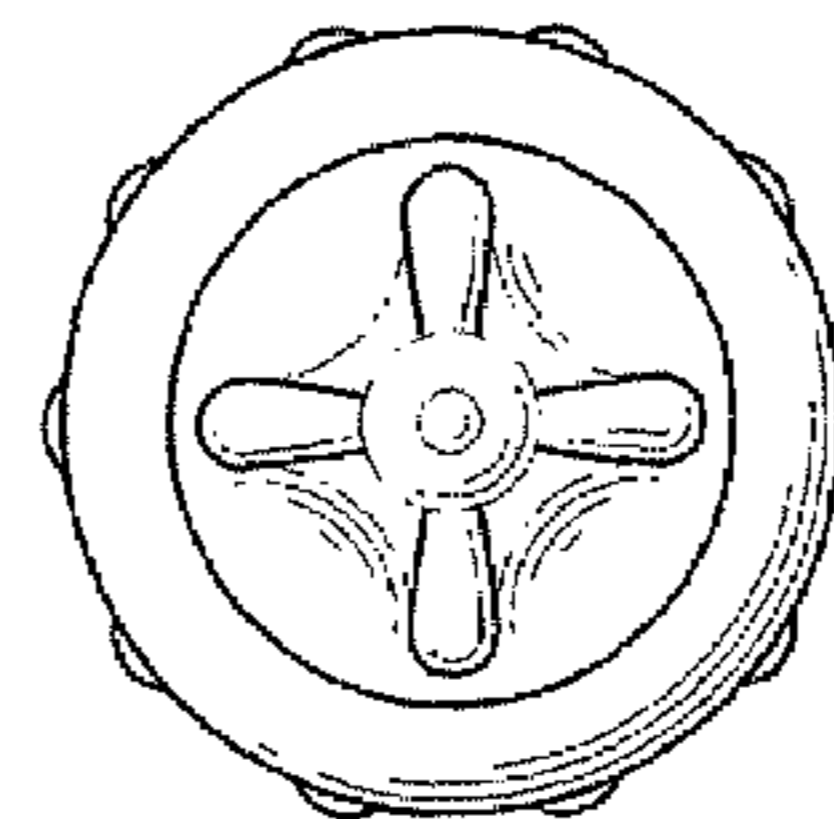
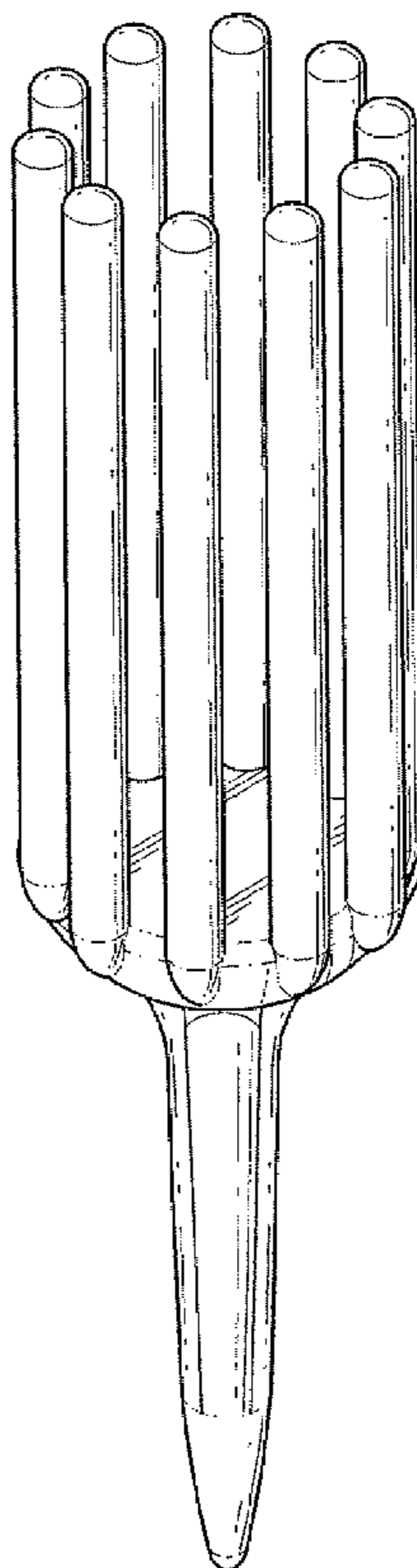
FIG. 1 is a perspective view of the golf tee of the present invention;

FIG. 2 is a front elevational view thereof;

FIG. 3 is a top plan view of the golf tee of FIG. 1; and,

FIG. 4 is a bottom view thereof.

1 Claim, 3 Drawing Sheets



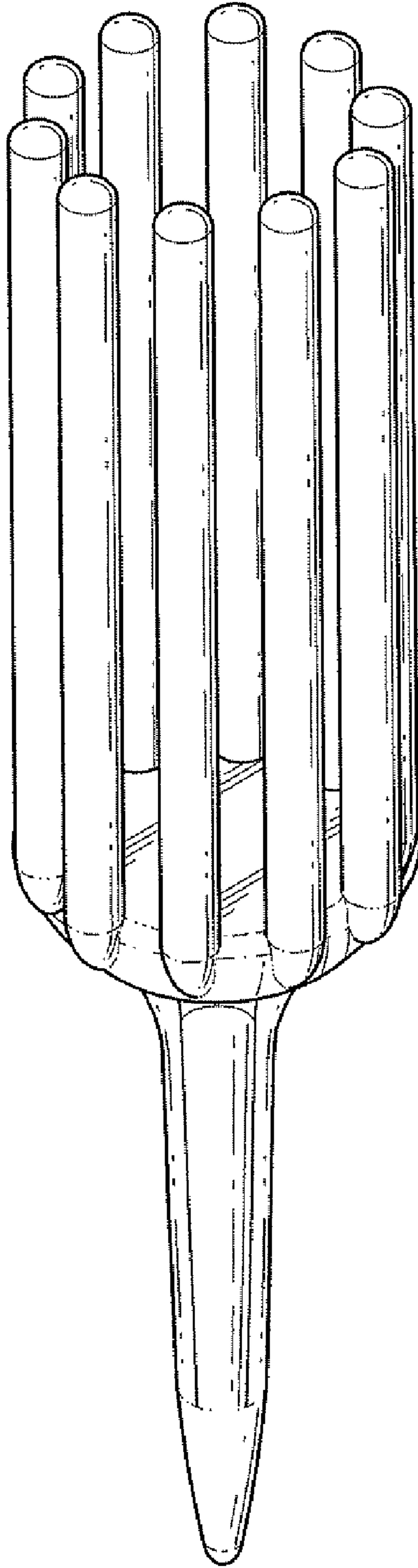


FIG. 1

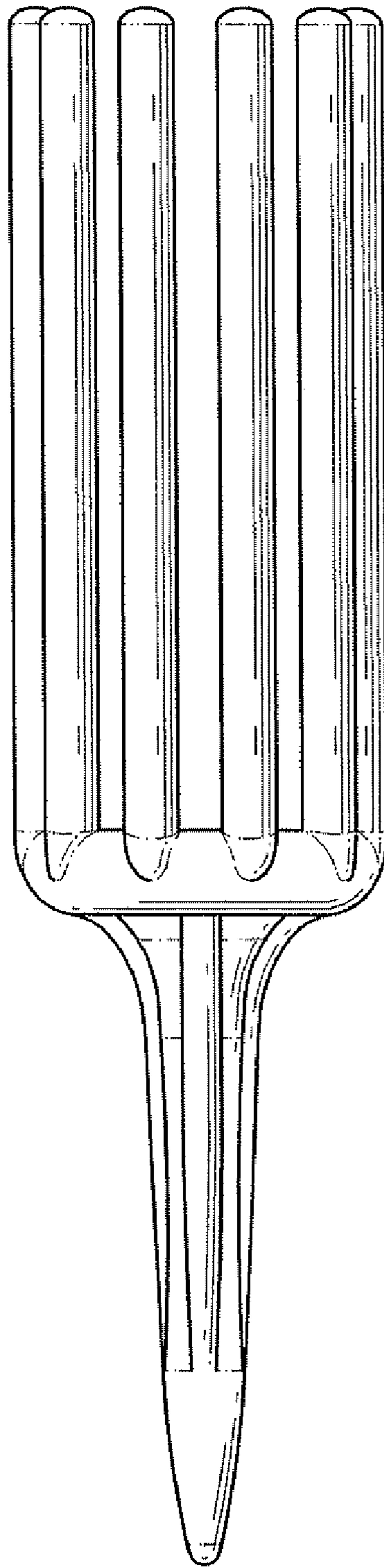


FIG. 2

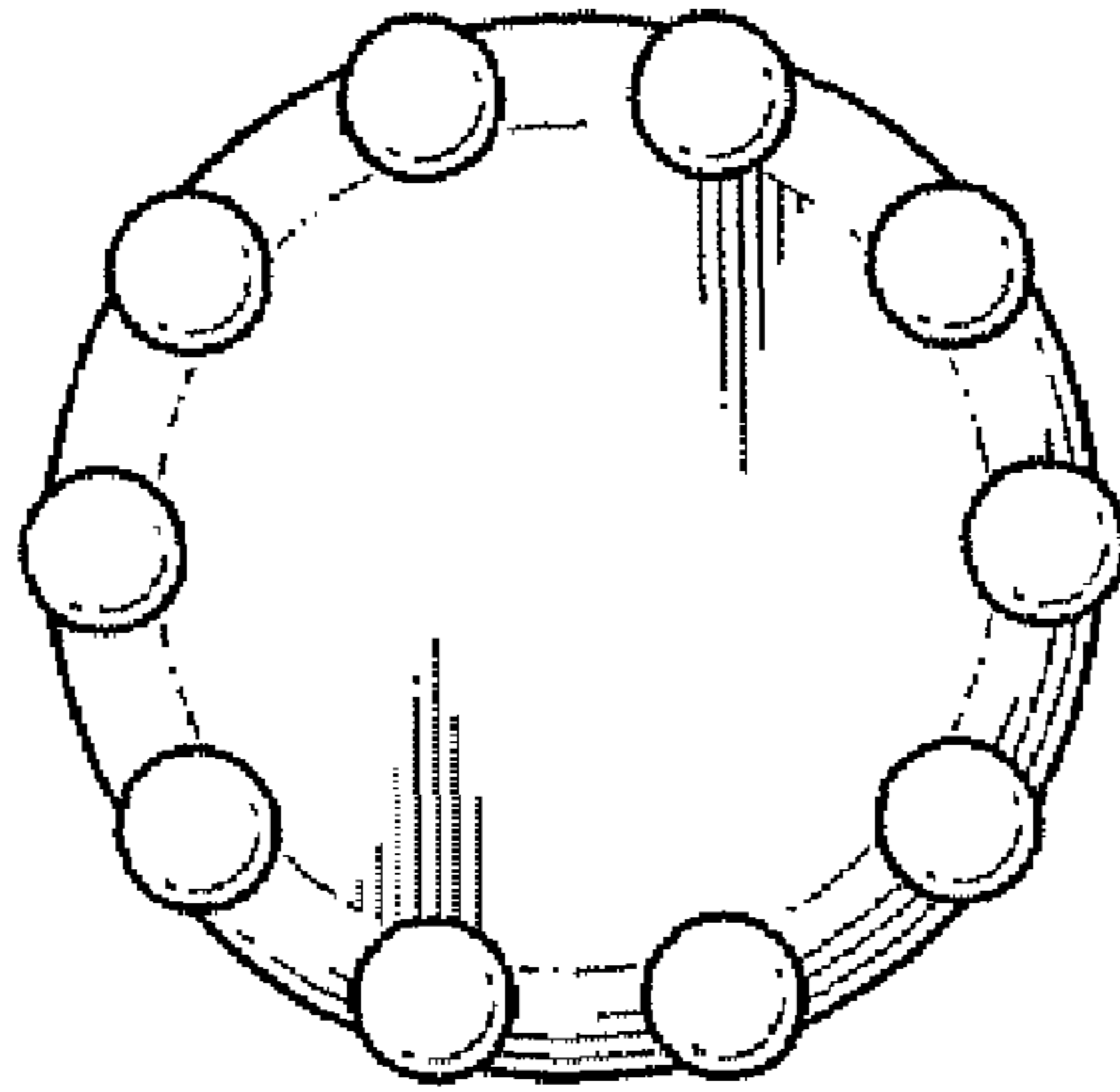


FIG. 3

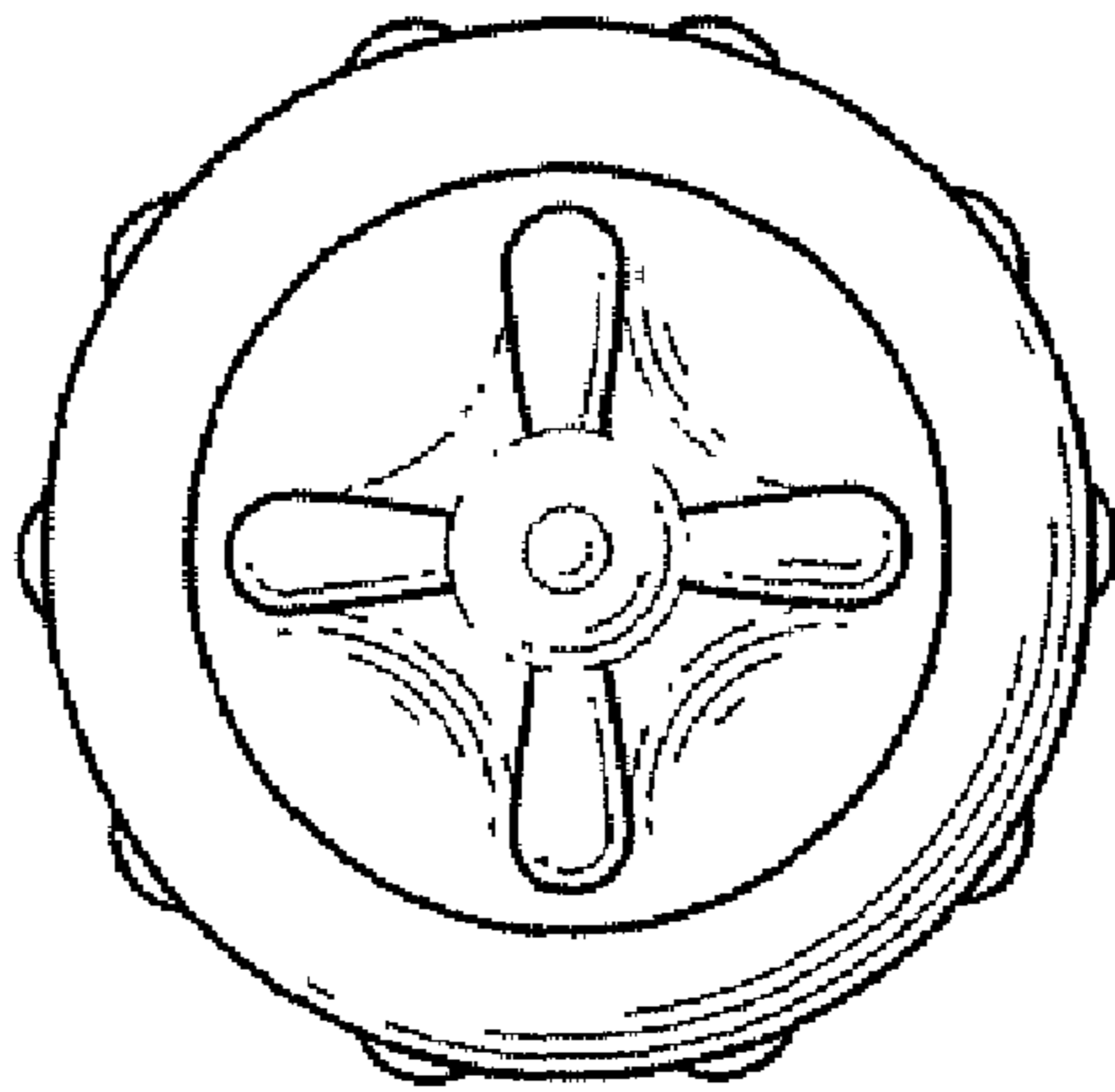


FIG. 4