



US00D610639S

(12) **United States Design Patent**
Likins

(10) **Patent No.:** **US D610,639 S**

(45) **Date of Patent:** **** Feb. 23, 2010**

(54) **PAIR OF ANTI-WEDGING ATTACHMENTS TO A BASKETBALL HOOP**

(76) Inventor: **Clinton R Likins**, 375 Vista View Pl., Hot Springs, AR (US) 71901

(**) Term: **14 Years**

(21) Appl. No.: **29/339,241**

(22) Filed: **Jun. 26, 2009**

(51) **LOC (9) Cl.** **21-02**

(52) **U.S. Cl.** **D21/701**

(58) **Field of Classification Search** D21/302, D21/303, 305, 699-705, 781; 473/433, 447, 473/448, 449, 472, 476-489; 273/317.3, 273/348, 354, 382, 389, 398, 400-410

See application file for complete search history.

(56) **References Cited**

U.S. PATENT DOCUMENTS

1,516,859	A *	11/1924	Lantrip	473/485
1,563,243	A *	11/1925	Van Gorden	473/485
1,583,011	A *	5/1926	Roe	473/485
1,614,970	A *	1/1927	Sandeberg	473/485
2,254,507	A *	9/1941	Albach et al.	473/485
3,362,709	A *	1/1968	Rossini	473/485
3,788,642	A *	1/1974	Matras et al.	473/481
4,244,569	A *	1/1981	Wong	473/447
4,826,162	A *	5/1989	Allen	473/481
5,265,870	A *	11/1993	Merino	473/435
5,299,800	A *	4/1994	Daniels	473/481
2007/0213148	A1 *	9/2007	Nye	473/485

* cited by examiner

Primary Examiner—Catherine Tuttle
(74) *Attorney, Agent, or Firm*—Joe D. Calhoun; Rashuana A. Norment

(57) **CLAIM**

The ornamental design for pair of an anti-wedging attachments to a basketball hoop, as shown and described.

DESCRIPTION

FIG. 1 is a perspective view of the pair of anti-wedging attachments to a basketball hoop showing my new design in its environment;

FIG. 2 is an enlarged scale, exploded view of the area indicated by circle 2 in FIG. 1;

FIG. 3 is a further enlarged top plan view showing the design without the environment depicted in FIGS. 1 and 2;

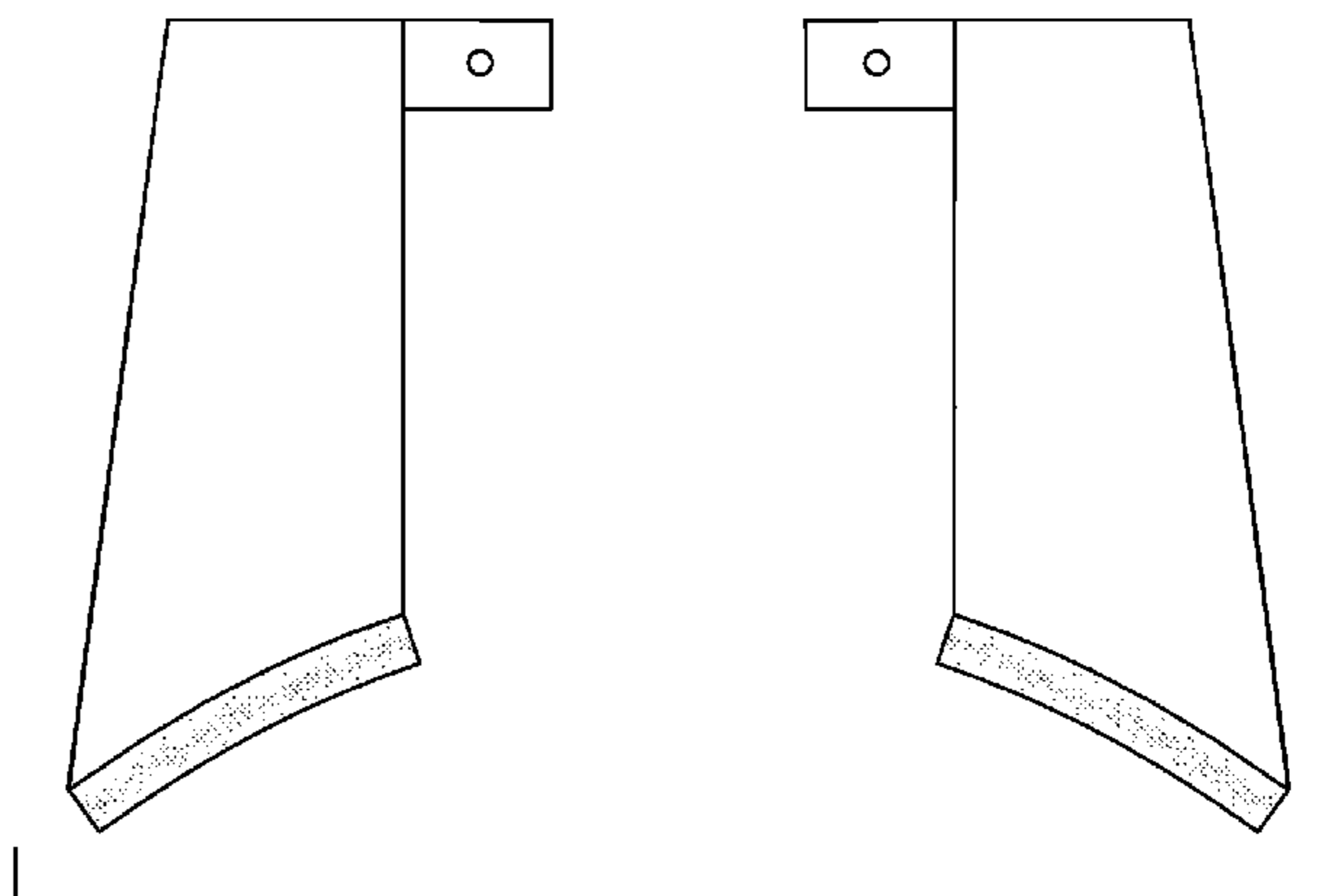
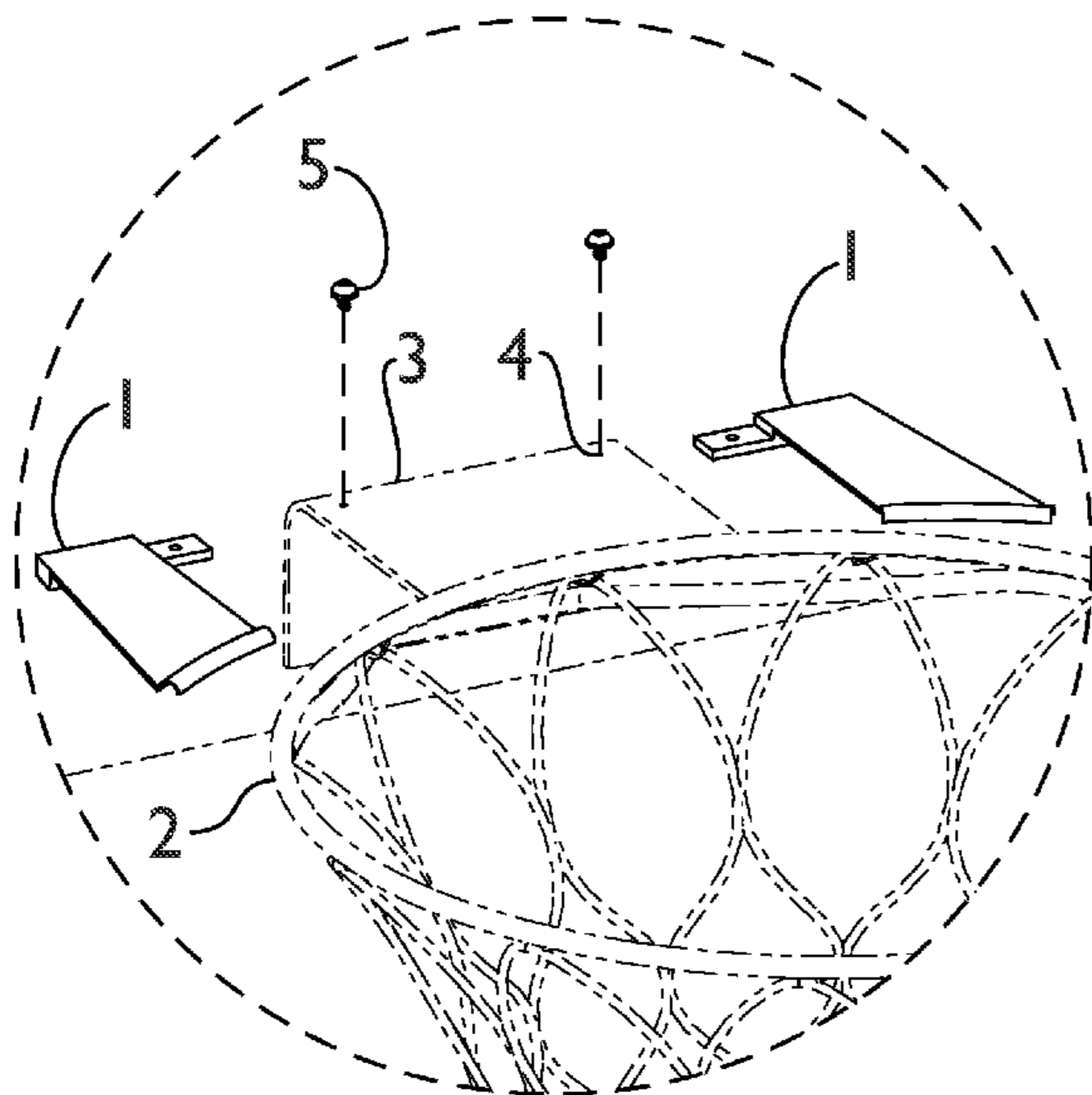
FIG. 4 is a bottom plan view of FIG. 2;

FIG. 5 is a further enlarged left side elevational view of the left element of the pair, the right side elevational view of the right element being a mirror image of FIG. 4; and,

FIG. 6 is a right side elevational view of FIG. 4, the left side elevational view of the right element being a mirror image of FIG. 5.

The rim assembly, net, circles and other elements shown in broken lines in FIGS. 1 and 2 form no part of the claimed design; and are included merely to indicate the enlarged area shown in FIG. 2 or to illustrate the environment of the design.

1 Claim, 3 Drawing Sheets



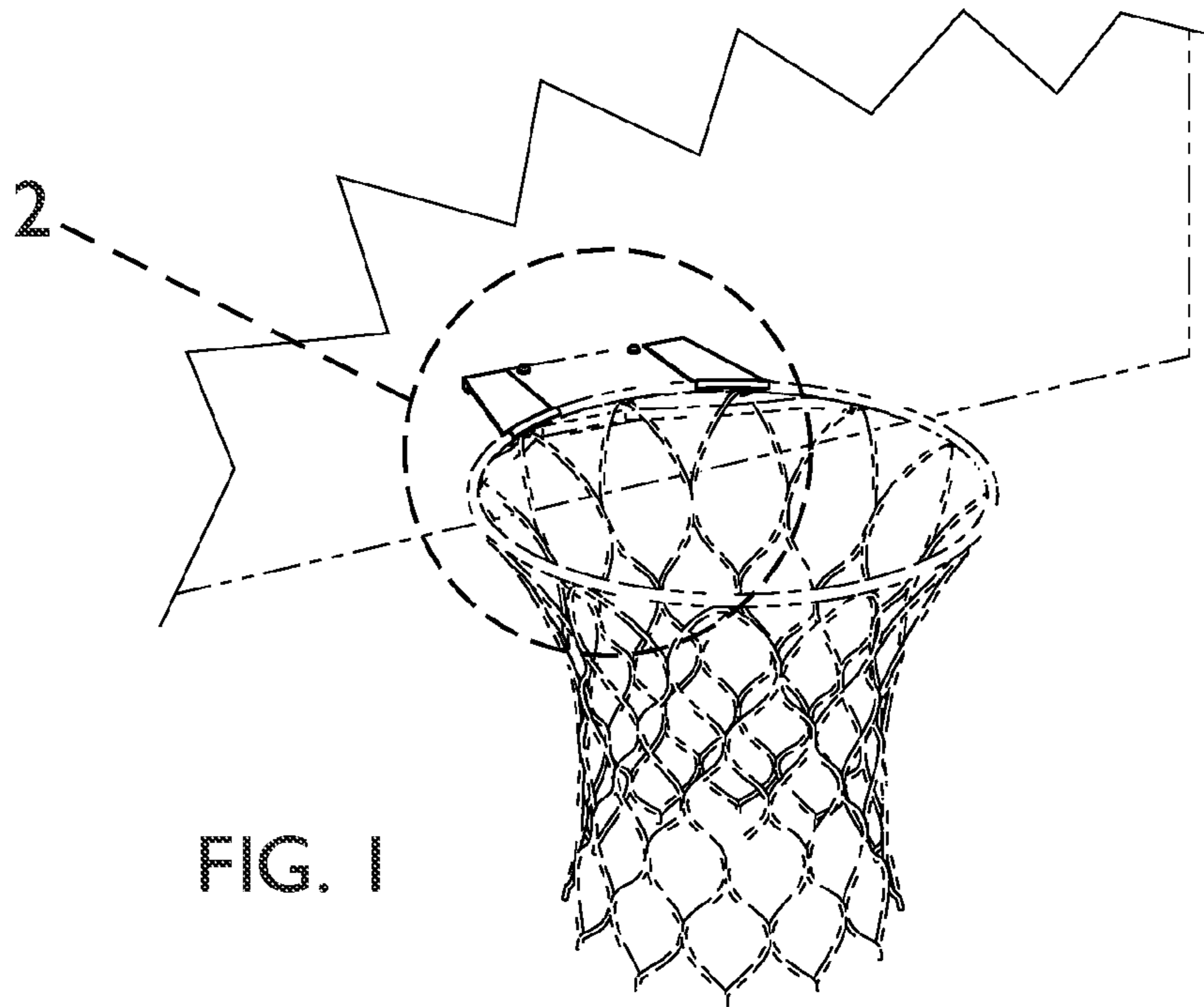


FIG. 1

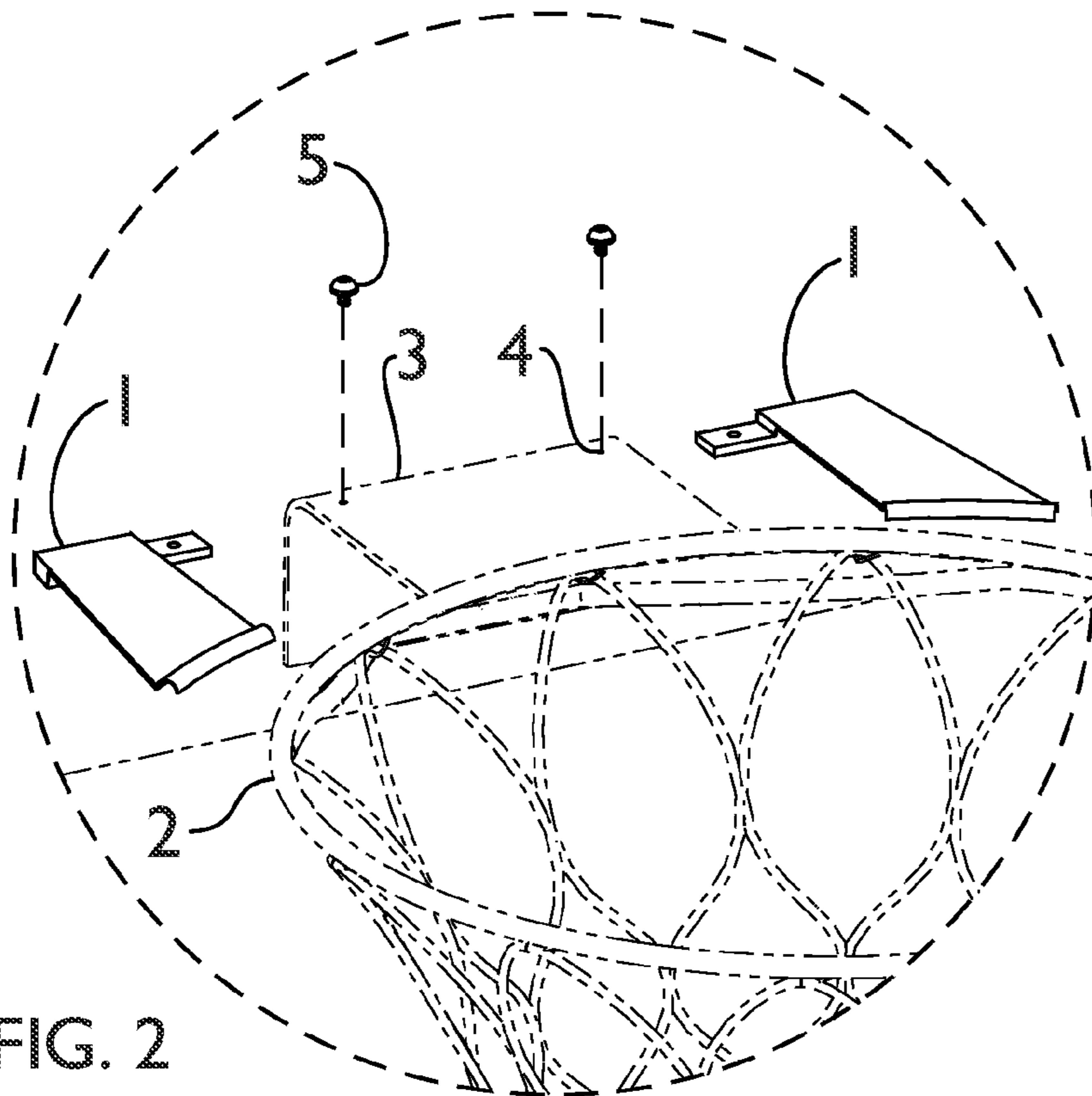


FIG. 2

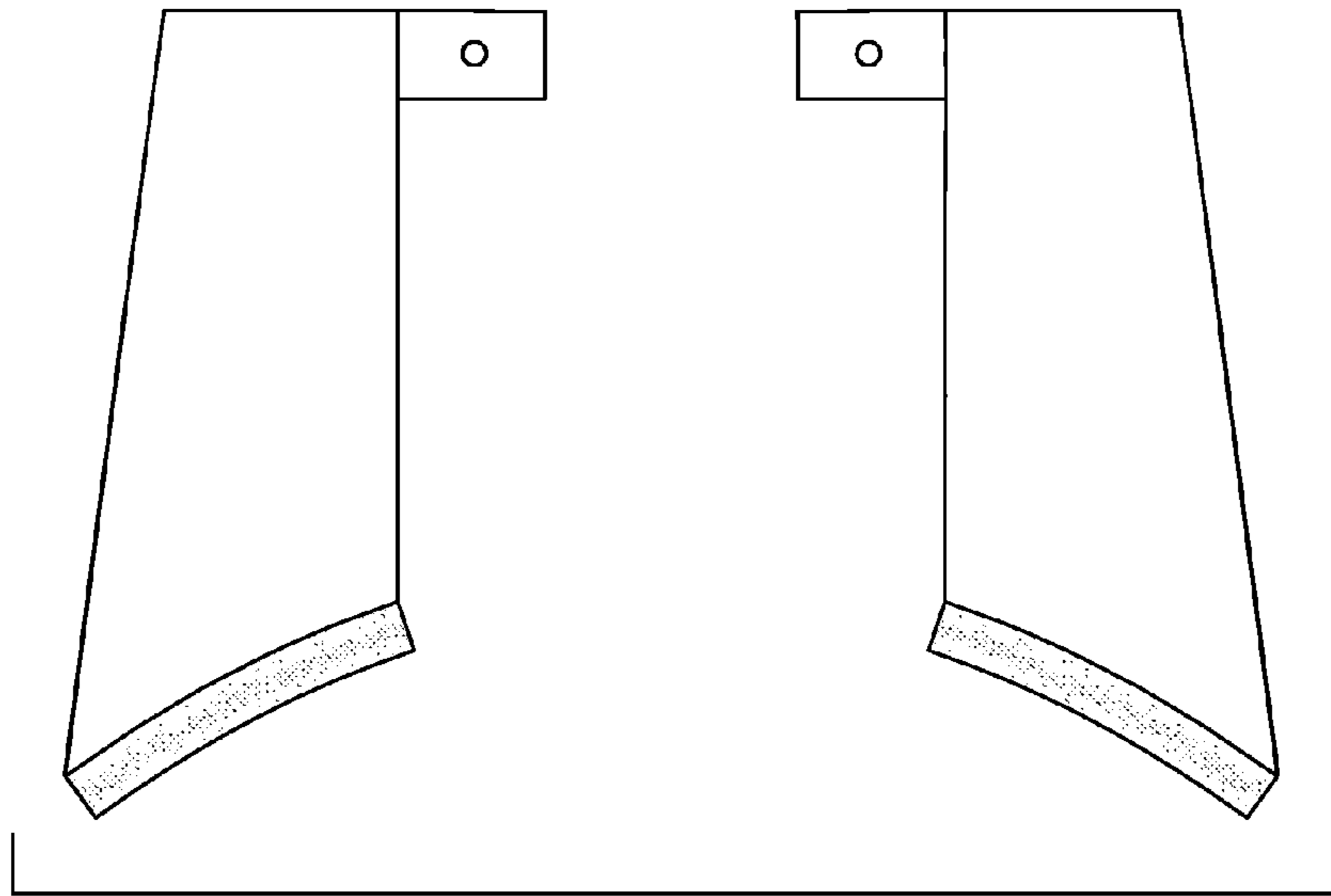


FIG. 3

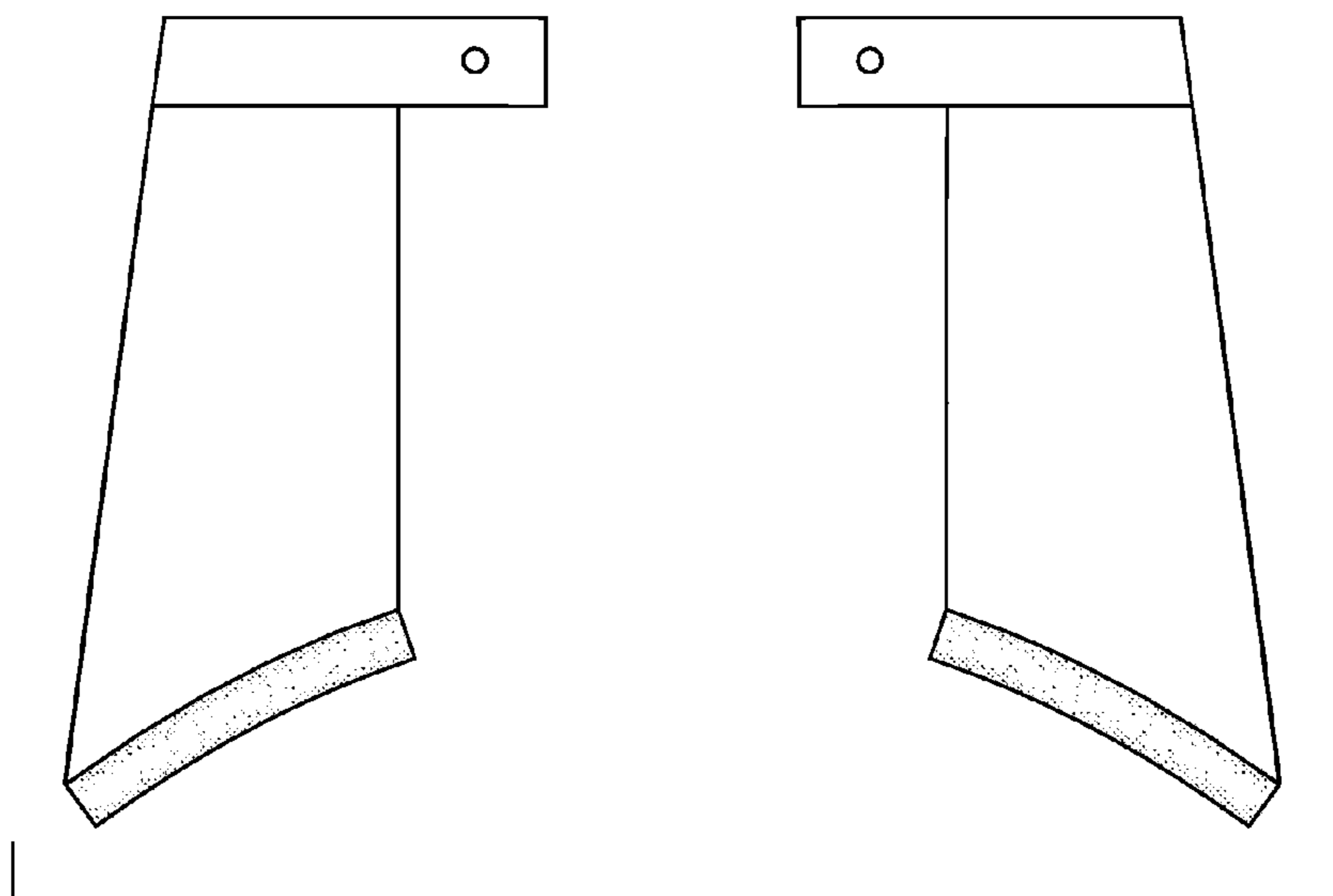


FIG. 4

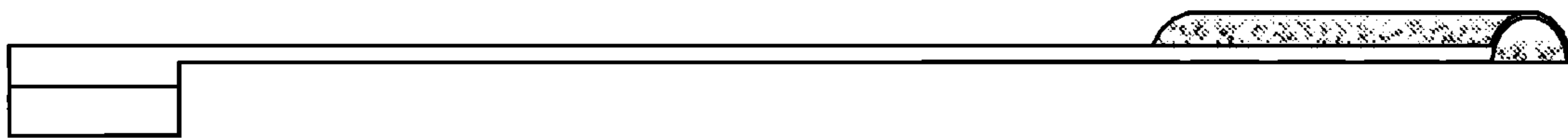


FIG. 5

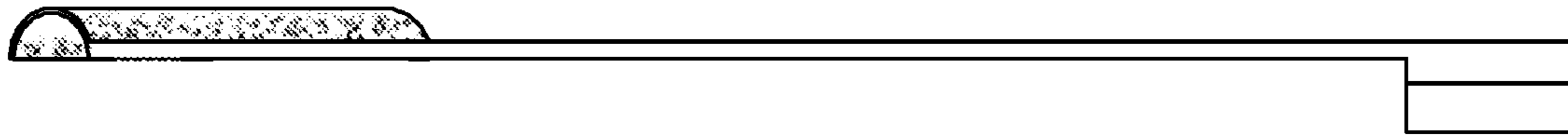


FIG. 6