



US00D610636S

(12) **United States Design Patent**  
**Golesh et al.**

(10) **Patent No.:** **US D610,636 S**  
(45) **Date of Patent:** **\*\* \*Feb. 23, 2010**

(54) **DUMBBELL**

6,656,093 B2 12/2003 Chen

(75) Inventors: **Eric D. Golesh**, Arvada, CO (US);  
**Edward L. Flick**, Portland, OR (US);  
**Brent Christopher**, Portland, OR (US);  
**Jeffrey A. Nitta**, Broomfield, CO (US)

(Continued)

**FOREIGN PATENT DOCUMENTS**

CN 2409998 Y 12/2000

(73) Assignee: **Nautilus, Inc.**, Vancouver, WA (US)

(Continued)

(\*\*) Term: **14 Years**

**OTHER PUBLICATIONS**

(21) Appl. No.: **29/302,708**

“Nautilus Home Health & Fitness Catalog”, catalog, Nautilus, Inc., pp. 1-56 (2004).

(22) Filed: **Jan. 23, 2008**

(Continued)

(51) **LOC (9) Cl.** ..... **21-02**  
(52) **U.S. Cl.** ..... **D21/681**  
(58) **Field of Classification Search** ..... D21/680,  
D21/681, 682, 683; 482/105, 106, 107, 108,  
482/109

*Primary Examiner*—Philip S Hyder  
*Assistant Examiner*—Susan E. Krakower

(74) *Attorney, Agent, or Firm*—Dorsey & Whitney LLP

See application file for complete search history.

(57) **CLAIM**

The ornamental design for a dumbbell, as shown and described.

(56) **References Cited**

**DESCRIPTION**

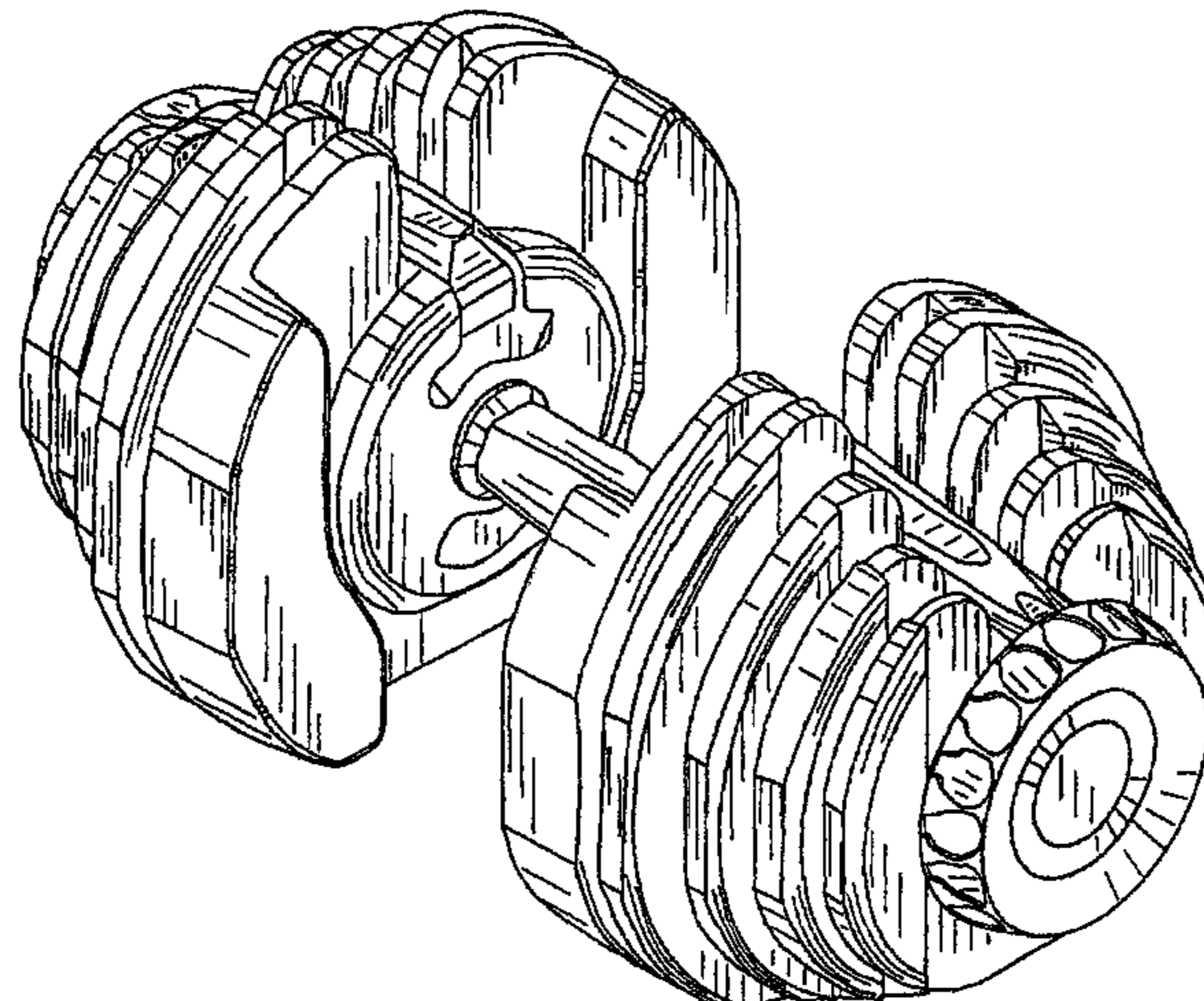
**U.S. PATENT DOCUMENTS**

|                |         |                 |         |
|----------------|---------|-----------------|---------|
| 3,771,785 A    | 11/1973 | Speyer          |         |
| 3,913,908 A    | 10/1975 | Speyer          |         |
| 4,076,236 A    | 2/1978  | Ionel           |         |
| 4,453,710 A    | 6/1984  | Plötz           |         |
| 4,913,422 A    | 4/1990  | Elmore et al.   |         |
| 5,284,463 A    | 2/1994  | Shields         |         |
| 5,628,716 A    | 5/1997  | Brice           |         |
| 5,749,814 A    | 5/1998  | Chen            |         |
| 5,839,997 A    | 11/1998 | Roth et al.     |         |
| 6,039,678 A    | 3/2000  | Dawson          |         |
| 6,120,420 A    | 9/2000  | Pearson et al.  |         |
| 6,261,022 B1 * | 7/2001  | Dalebout et al. | 482/107 |
| 6,261,211 B1   | 7/2001  | Suarez et al.   |         |
| 6,416,446 B1   | 7/2002  | Krull           |         |
| 6,422,979 B1   | 7/2002  | Krull           |         |
| 6,540,650 B1   | 4/2003  | Krull           |         |

FIG. 1 is an isometric view of a dumbbell of the present invention;  
FIG. 2 is a top view of the dumbbell of FIG. 1;  
FIG. 3 is a front elevation view of the dumbbell of FIG. 1 with alignment tabs on the outer plates shown in broken line and forming no part of the claimed invention;  
FIG. 4 is a left elevation view of the dumbbell of FIG. 1 with the alignment tab on the outer plate shown in broken line and forming no part of the claimed invention; and,  
FIG. 5 is a bottom view of the dumbbell of FIG. 1, wherein the broken lines depict portions of the dumbbell that form no part of the claimed invention.

The back and right elevation views of the dumbbell of FIG. 1 are mirror images of the front and left elevation views, respectively.

**1 Claim, 5 Drawing Sheets**



# US D610,636 S

Page 2

## U.S. PATENT DOCUMENTS

6,669,606 B2 12/2003 Krull  
6,682,464 B2 1/2004 Shifferaw  
6,719,674 B2 4/2004 Krull  
6,749,547 B2 6/2004 Krull  
D500,820 S 1/2005 Krull  
D536,752 S 2/2005 Walkerdine  
7,077,791 B2 7/2006 Krull  
D528,611 S 9/2006 Flick et al.  
7,121,988 B2 10/2006 Walkerdine  
7,137,931 B2 11/2006 Liu  
7,172,536 B2 2/2007 Liu  
D540,405 S 4/2007 Crawford et al.  
D540,894 S 4/2007 Crawford et al.  
7,261,678 B2 8/2007 Crawford et al.  
7,285,078 B1 10/2007 Liu  
7,291,098 B1 11/2007 Krull  
7,413,533 B2 8/2008 Lin  
7,429,235 B2 9/2008 Lin

7,452,312 B2 11/2008 Liu  
7,485,077 B2 2/2009 Chen  
2004/0005969 A1 1/2004 Chen  
2004/0023765 A1 2/2004 Krull  
2005/0079961 A1 4/2005 Dalebout et al.  
2006/0189458 A1\* 8/2006 Walkerdine ..... 482/106  
2007/0167300 A1\* 7/2007 Krull ..... 482/107

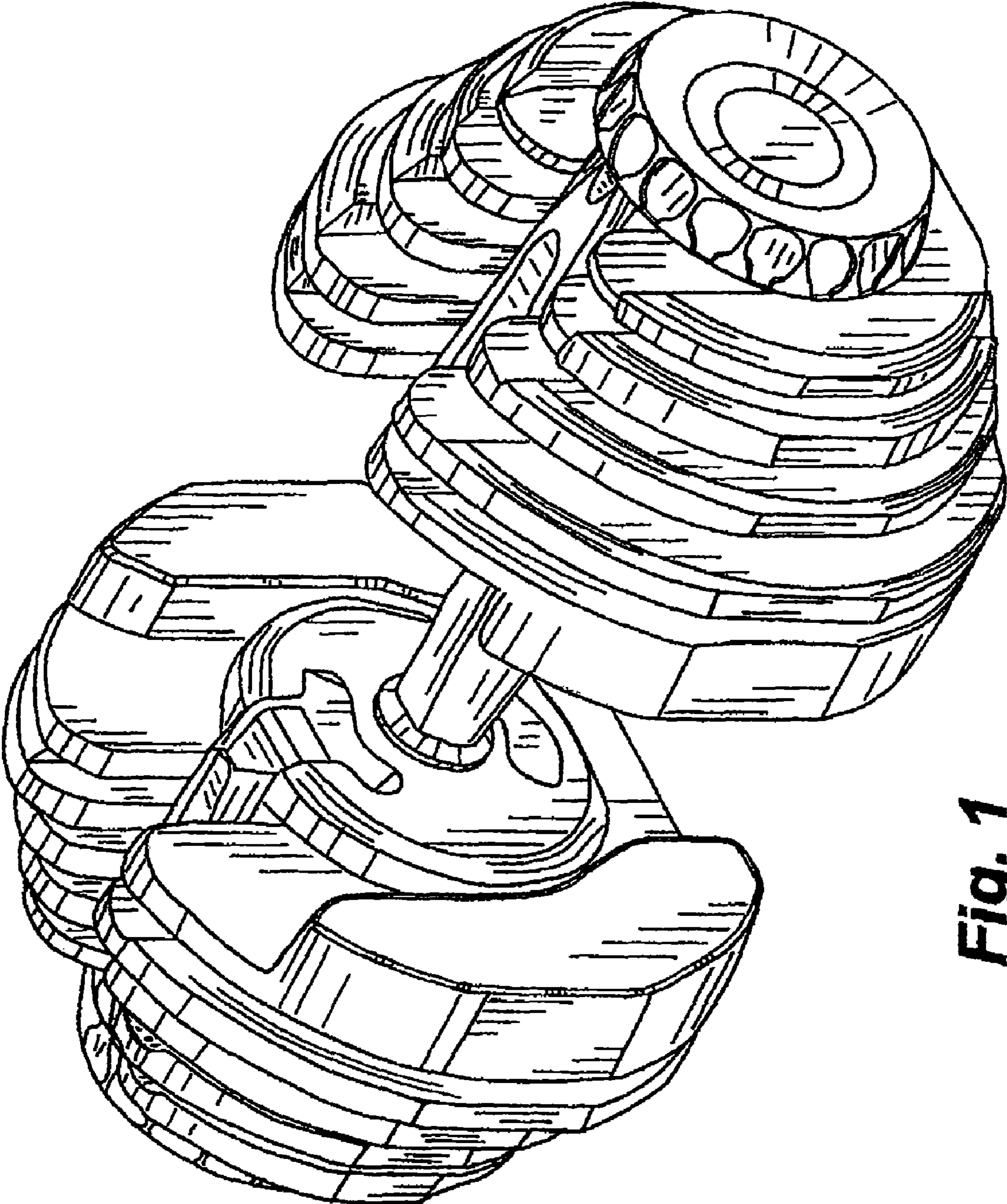
## FOREIGN PATENT DOCUMENTS

CN 2426370 Y 4/2001  
SU 1659073 A1 6/1991  
SU 1780780 A1 12/1992

## OTHER PUBLICATIONS

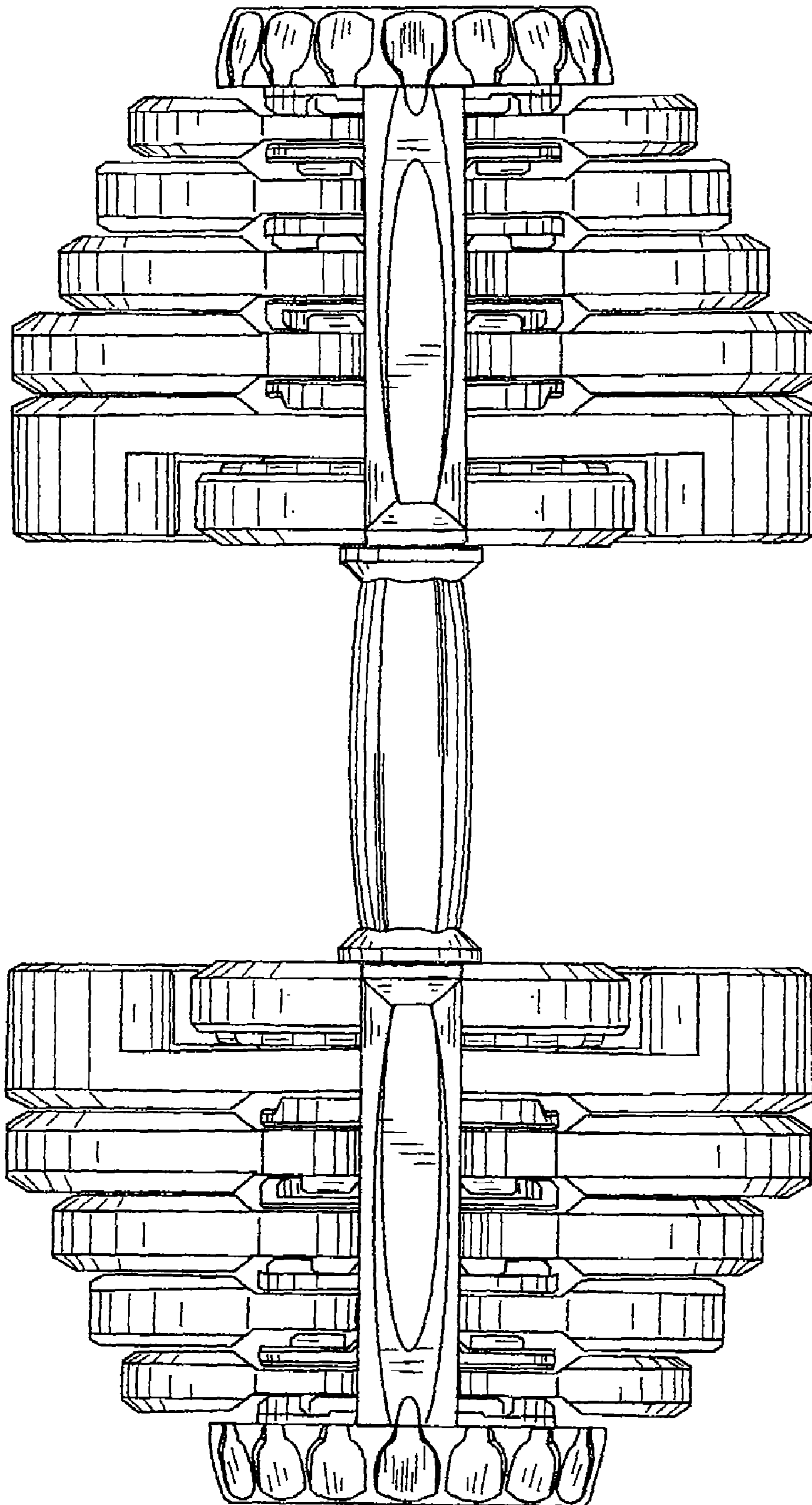
U.S. Appl. No. 12/359,181, filed Jan. 23, 2009, Golesh et al.  
U.S. Appl. No. 29/329,039, filed Dec. 8, 2009, Gettle et al.  
U.S. Appl. No. 29/329,044, filed Dec. 8, 2008, Gettle et al.  
U.S. Appl. No. 12/579,122, Oct. 14, 2009, Crawford et al.

\* cited by examiner

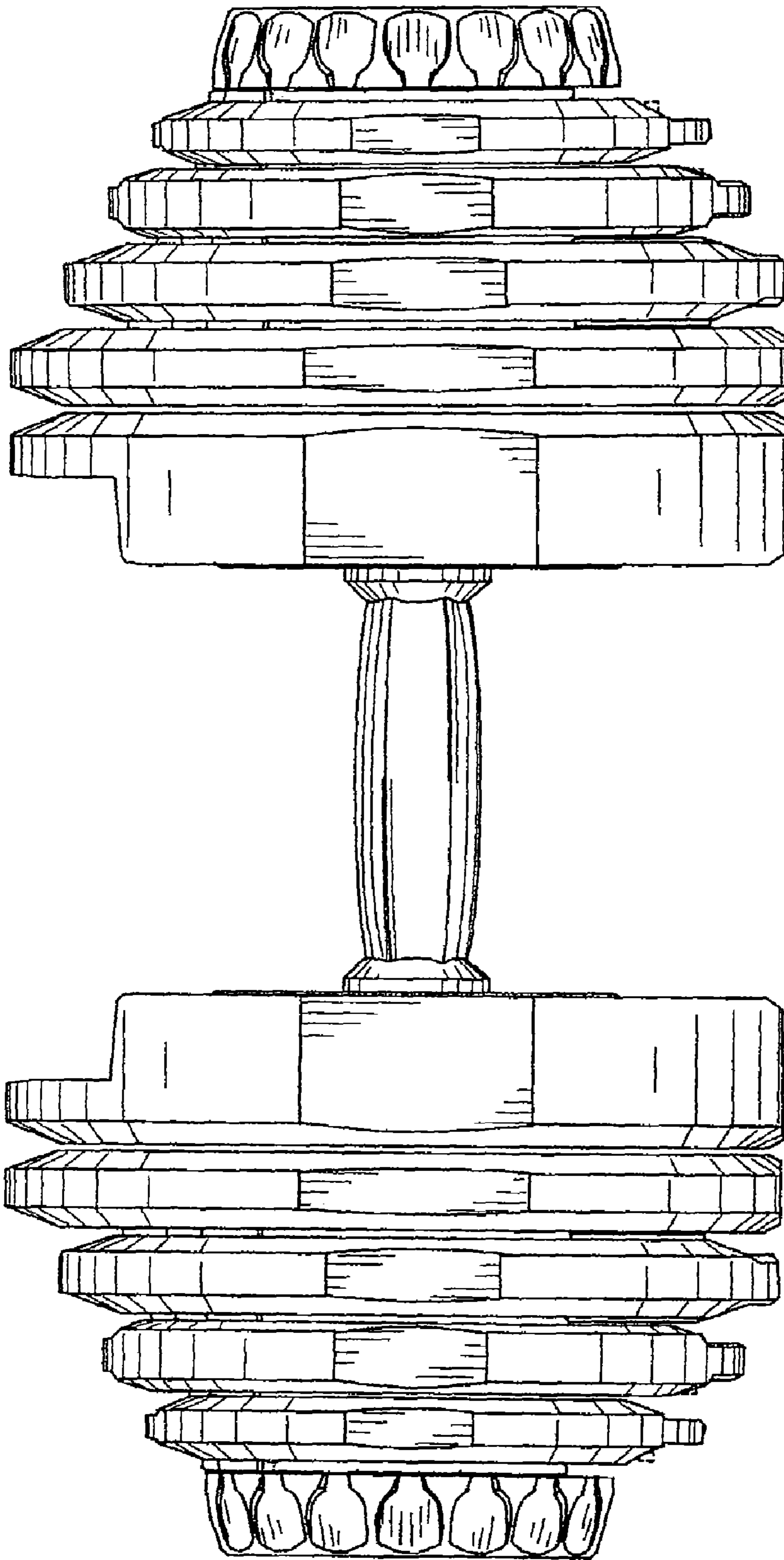


**Fig. 1**

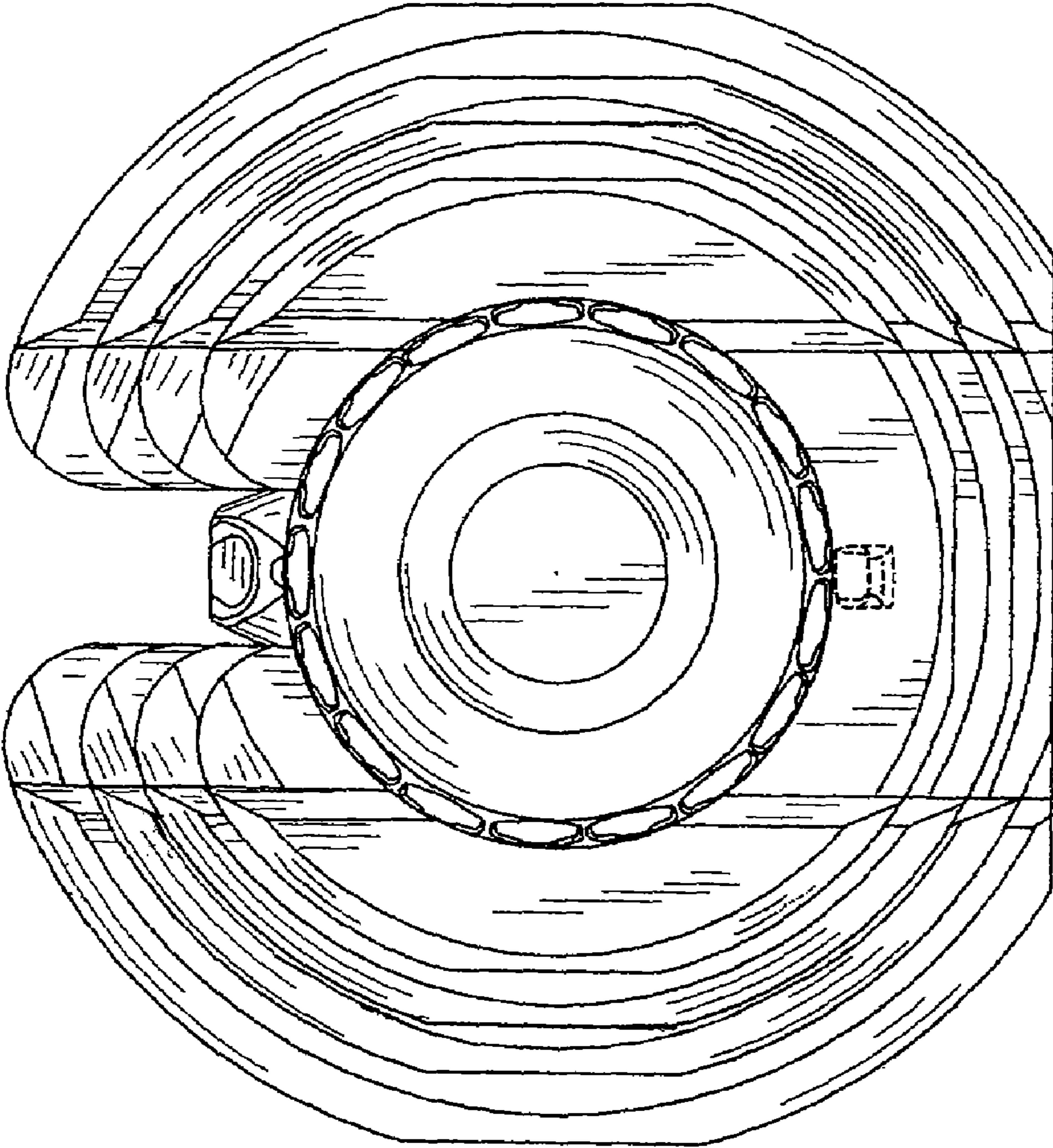




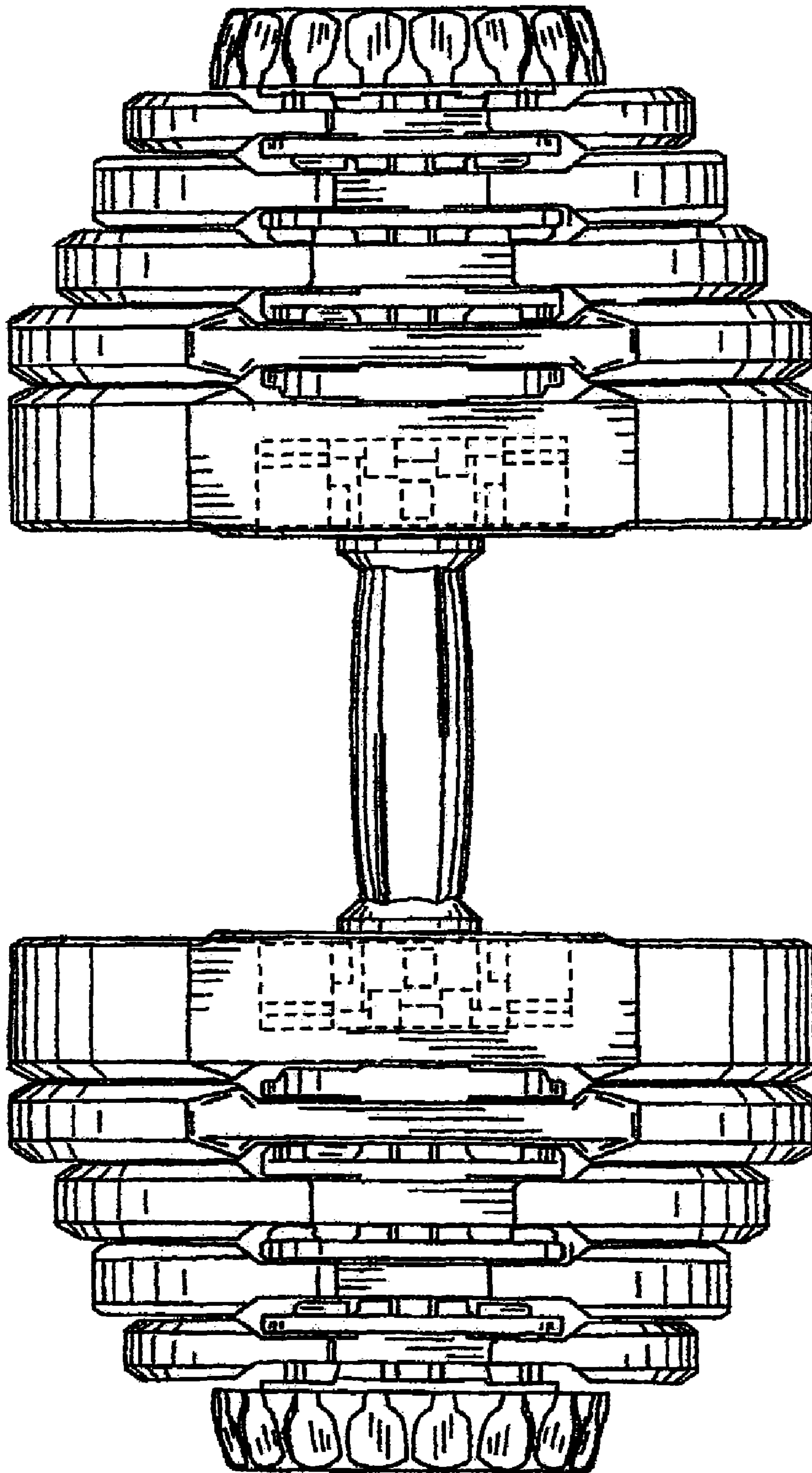
**Fig. 2**



**Fig. 3**



**Fig. 4**



**Fig. 5**