



US00D610628S

(12) **United States Design Patent**
Christensen et al.

(10) **Patent No.:** **US D610,628 S**
(45) **Date of Patent:** **** Feb. 23, 2010**

(54) **TOY BUILDING BRICK SOCKET**

(75) Inventors: **Rikke Christensen**, Borkop (DK);
Malthe Bruun Ludvigsen, Odense C
(DK); **Mads Sandahl Christensen**,
Tommerup (DK); **Lars Christensen**,
Tommerup (DK); **Frits Ludvigsen**,
Tommerup (DK)

(73) Assignee: **3L-Rask APS** (DK)

(**) Term: **14 Years**

(21) Appl. No.: **29/341,496**

(22) Filed: **Aug. 6, 2009**

Related U.S. Application Data

(62) Division of application No. 29/327,191, filed on Oct. 31, 2008, now Pat. No. Des. 600,291.

(30) **Foreign Application Priority Data**

May 2, 2008 (EM) 000927850
Oct. 29, 2008 (EM) 001030126

(51) **LOC (9) Cl.** **21-01**

(52) **U.S. Cl.** **D21/502; D21/484**

(58) **Field of Classification Search** D21/484-486,
D21/491, 499-502, 504, 506, 507; D25/113,
D25/114, 118; 446/69, 89, 92, 102-128;
434/259, 208, 403; 52/503; 273/153, 156,
273/160; D8/382

See application file for complete search history.

(56) **References Cited**

U.S. PATENT DOCUMENTS

1,163,851 A * 12/1915 Pringle 446/106
3,488,880 A * 1/1970 Taylor 446/85
D227,528 S * 7/1973 Wahl D8/382
D229,769 S * 1/1974 Daenen D21/499
3,867,784 A * 2/1975 Lange 446/128
D235,570 S 6/1975 Barton
D257,366 S 10/1980 Gabriel

D290,477 S * 6/1987 Ryaa et al. D21/503
D297,303 S * 8/1988 Finklestein D8/382
D314,829 S * 2/1991 Brock D25/113
4,990,116 A * 2/1991 Chen 446/124
D319,477 S * 8/1991 McElhaney D21/391
5,071,384 A * 12/1991 Poulsen 446/103
D343,429 S * 1/1994 Sorensen et al. D21/502
D344,769 S 3/1994 Poulsen
D352,743 S * 11/1994 Kushner et al. D21/500
D352,745 S * 11/1994 Kushner et al. D21/500
D357,510 S * 4/1995 Kushner et al. D21/503
D360,239 S 7/1995 Knudsen
D382,920 S * 8/1997 Munir D21/486
D384,994 S * 10/1997 Nielsen D21/486
D394,287 S * 5/1998 Jensen et al. D21/500
D394,465 S 5/1998 Schmidt
D422,035 S * 3/2000 Cyrus D21/491

(Continued)

Primary Examiner—Holly H Baynham
Assistant Examiner—Cynthia M Chin
(74) *Attorney, Agent, or Firm*—St. Onge Steward Johnston &
Reens LLC

(57) **CLAIM**

The ornamental design for a toy building brick socket, as shown and described.

DESCRIPTION

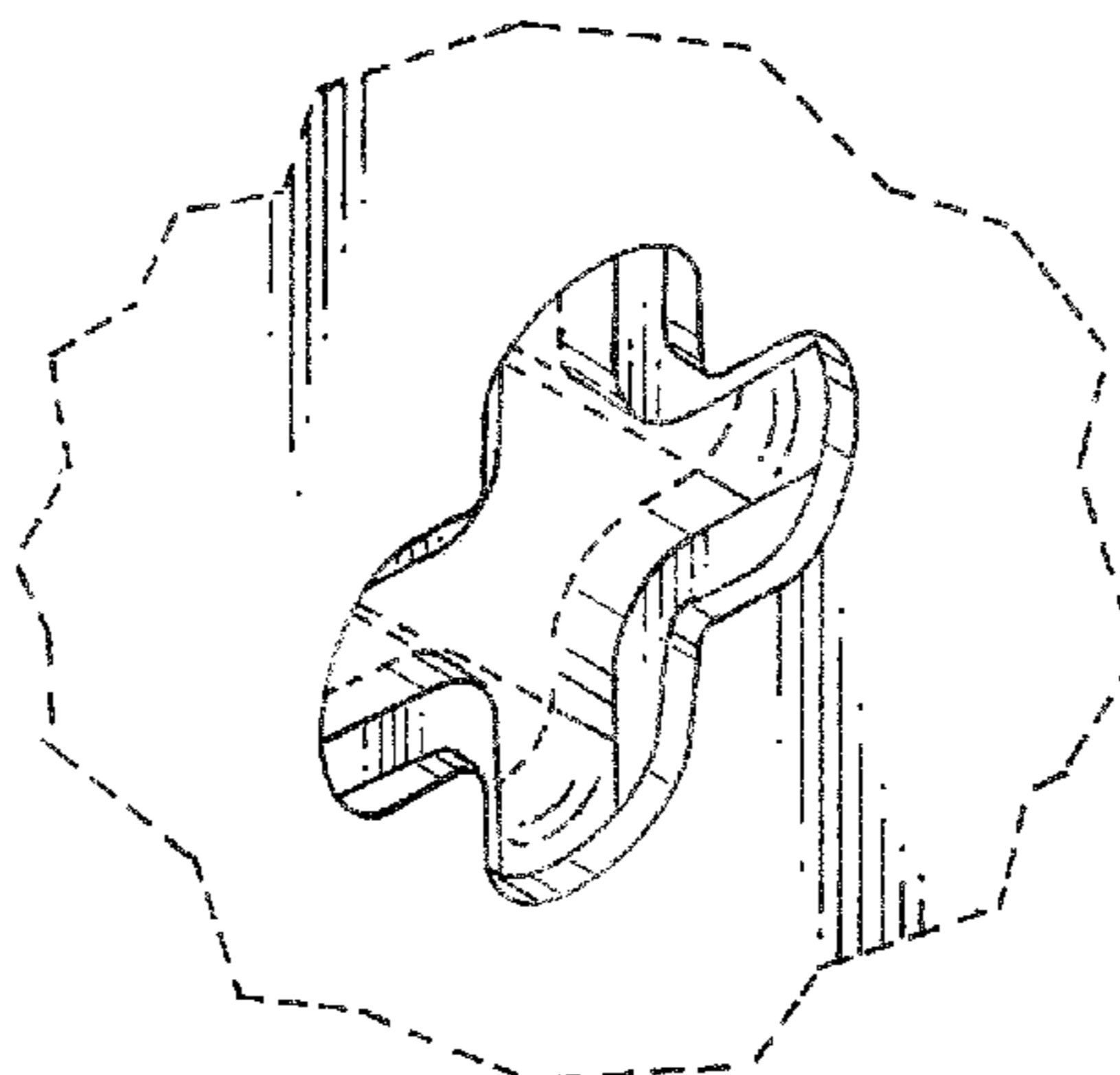
FIG. 1 is a front, top and right side perspective view of a toy building brick socket in accordance with our new design;

FIG. 2 is a front elevation view thereof; and,

FIG. 3 is an enlarged perspective view thereof.

The broken lines immediately adjacent the shaded areas represent the bounds of the claim and all other broken lines represent the environment in which the design resides. None of the broken lines form a part of the claimed design.

1 Claim, 3 Drawing Sheets



US D610,628 S

Page 2

U.S. PATENT DOCUMENTS

D422,036 S	3/2000	Laserna Fernandez		D490,483 S	5/2004	Auberger	
D453,970 S *	2/2002	Strassle	D25/61	D509,858 S	9/2005	May et al.	
D464,682 S	10/2002	Lin		D545,922 S	7/2007	Glickman et al.	
D466,956 S	12/2002	Manville et al.		D566,201 S *	4/2008	Glickman et al.	D21/484
D468,779 S	1/2003	Manville et al.		D572,985 S *	7/2008	Galeano et al.	D8/1
D469,825 S	2/2003	Manville et al.		D580,995 S *	11/2008	Chun	D21/499
D480,437 S	10/2003	Stoneberg		D581,986 S	12/2008	Evitt	
				7,547,020 B1 *	6/2009	Kohavi	273/153 S

* cited by examiner

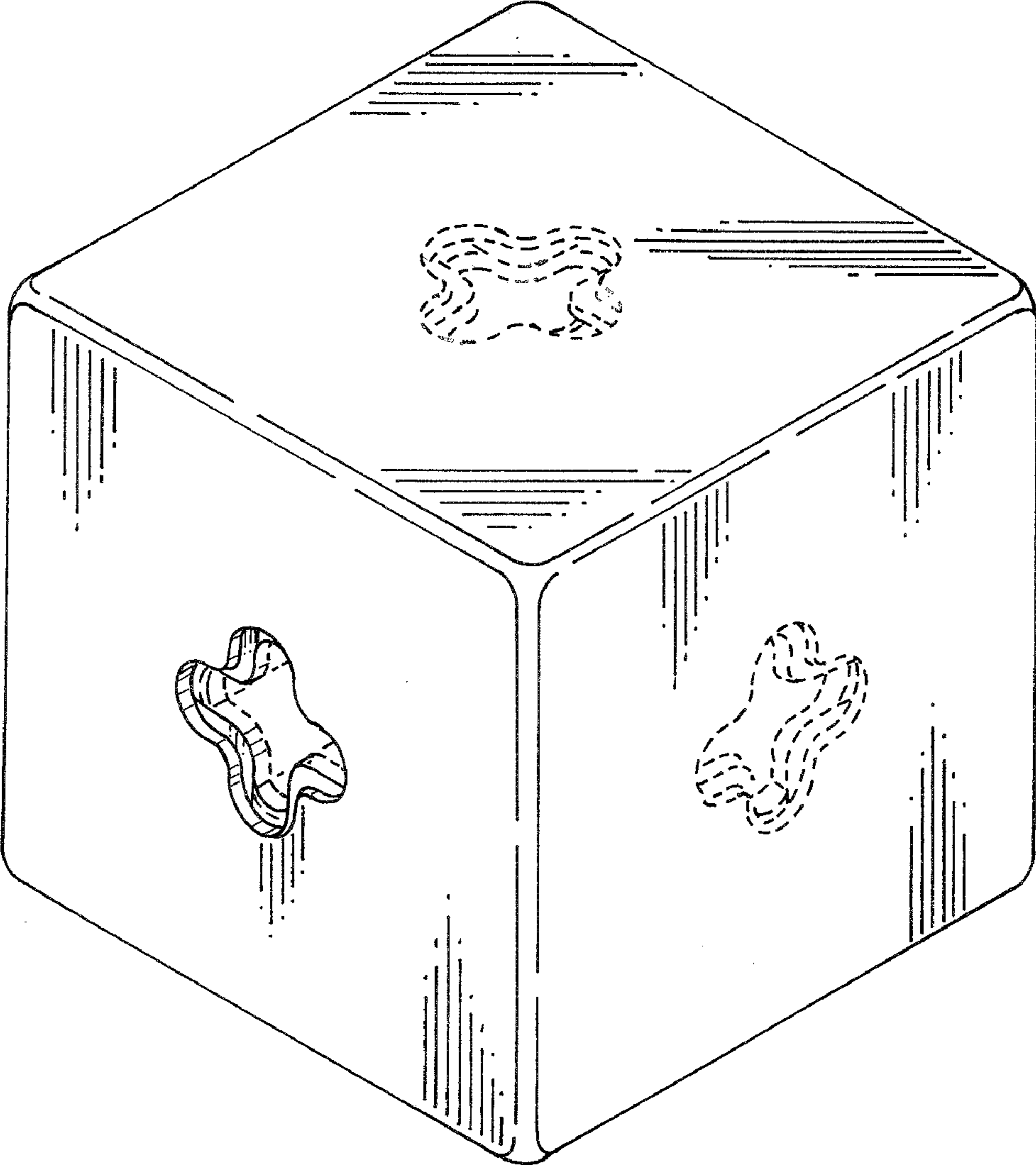


FIG. 1

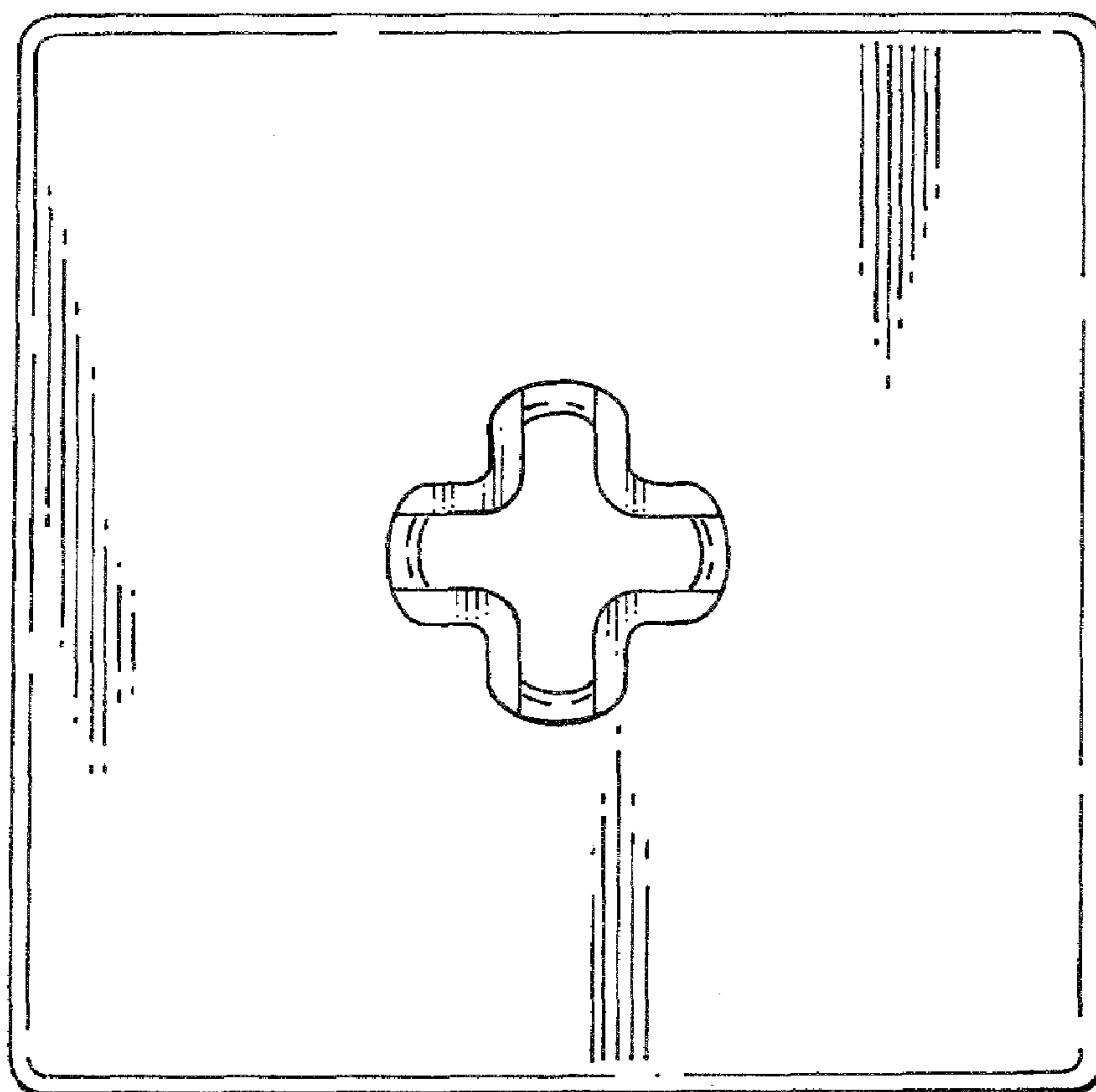


FIG. 2

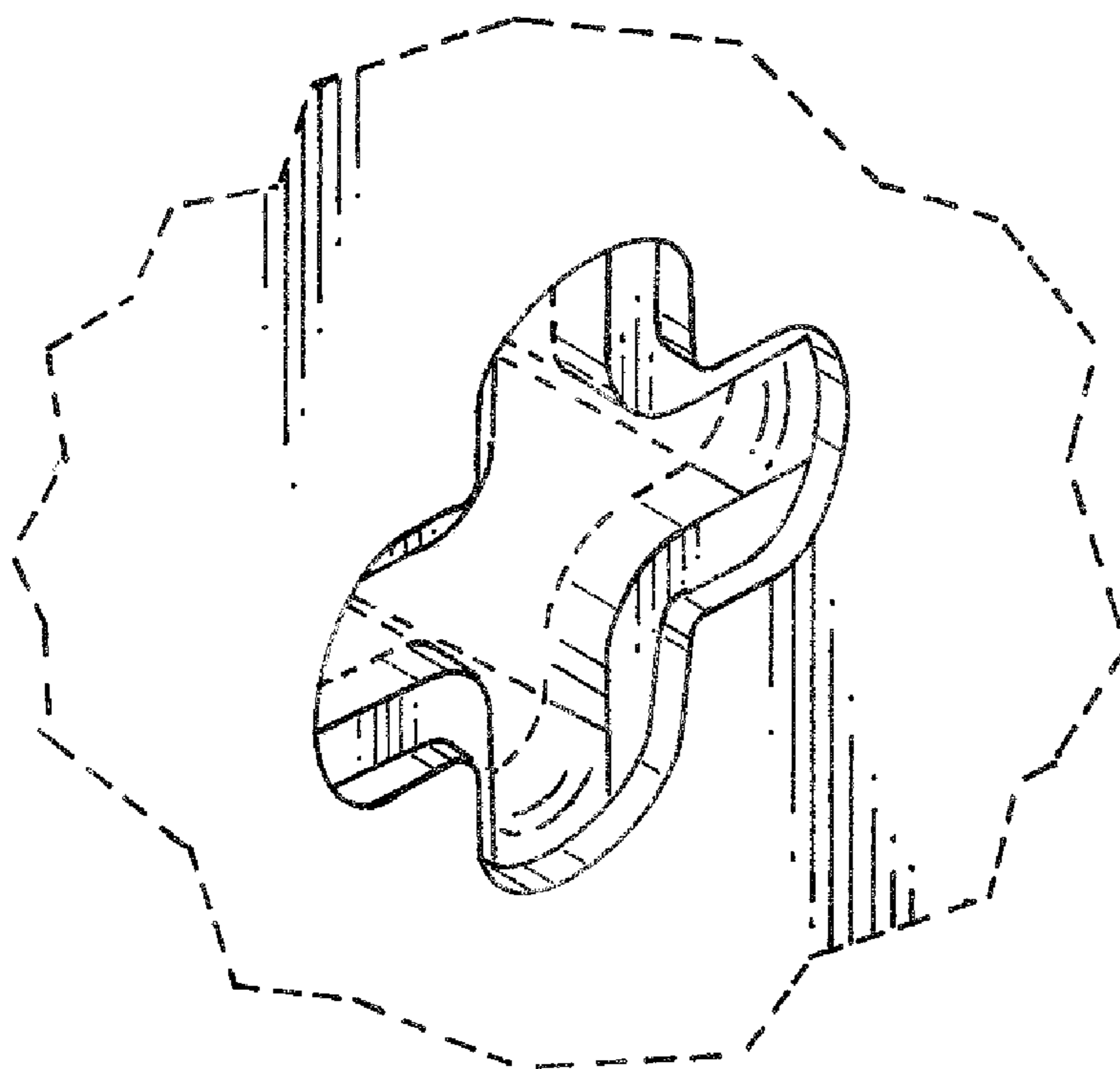


FIG. 3