



US00D610627S

(12) **United States Design Patent**
Moore

(10) **Patent No.:** **US D610,627 S**

(45) **Date of Patent:** **** Feb. 23, 2010**

(54) **NOISE MAKER**

(75) **Inventor:** **Terry P. Moore**, Newtown Square, PA (US)

(73) **Assignee:** **Uniqueko LLC**, Newtown Square, PA (US)

(**) **Term:** **14 Years**

(21) **Appl. No.:** **29/324,181**

(22) **Filed:** **Sep. 8, 2008**

Related U.S. Application Data

(60) Division of application No. 29/306,429, filed on Apr. 9, 2008, now Pat. No. Des. 578,578, which is a division of application No. 29/296,911, filed on Oct. 31, 2007, now Pat. No. Des. 569,444, which is a continuation-in-part of application No. 29/224,018, filed on Feb. 23, 2005, now abandoned.

(51) **LOC (9) Cl.** **21-05**

(52) **U.S. Cl.** **D21/405**

(58) **Field of Classification Search** D21/405-408, D21/466; D17/22, 99; 446/418-422; 84/402-420
See application file for complete search history.

(56) **References Cited**

U.S. PATENT DOCUMENTS

479,636 A * 7/1892 Droop 84/422.1
823,713 A * 6/1906 Chein 446/422
1,769,551 A * 7/1930 Schwartz 84/411 R

(Continued)

Primary Examiner—Catherine Tuttle

(74) *Attorney, Agent, or Firm*—Stamoulis & Weinblatt LLC

(57) **CLAIM**

The ornamental design for a noise maker, as shown and described.

DESCRIPTION

FIG. 1 is a rear perspective view of a first embodiment of the noise maker.

FIG. 2 is a front view of the noise maker of FIG. 1.

FIG. 3 is a rear view of the noise maker of FIG. 1.

FIG. 4 is a right-side view of the noise maker of FIG. 1, oriented with the front surface presented in FIG. 2 facing up, the left-side view being a mirror image thereof.

FIG. 5 is a top view of the noise maker of FIG. 1, oriented with the front surface presented in FIG. 2 facing up.

FIG. 6 is a bottom view of the noise maker of FIG. 1, oriented with the front surface presented in FIG. 2 facing up.

FIG. 7 is a rear perspective view of a second embodiment of the noise maker.

FIG. 8 is a front view of the noise maker of FIG. 7.

FIG. 9 is a rear view of the noise maker of FIG. 7.

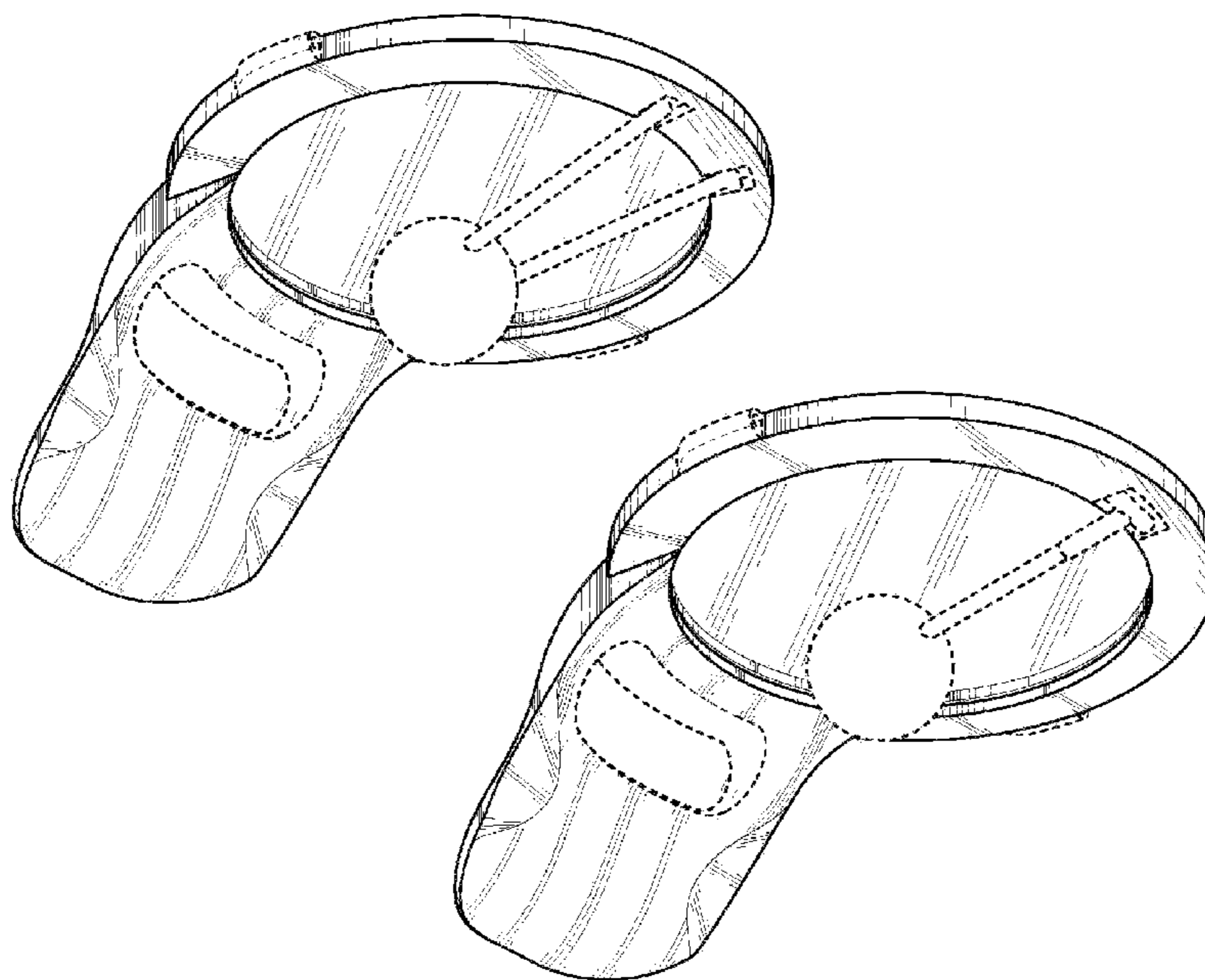
FIG. 10 is a right-side view of the noise maker of FIG. 7, oriented with the front surface presented in FIG. 8 facing up, the left-side view being a mirror image thereof.

FIG. 11 is a top view of the noise maker of FIG. 7, oriented with the front surface presented in FIG. 8 facing up; and,

FIG. 12 is a bottom view of the noise maker of FIG. 7, oriented with the front surface presented in FIG. 8 facing up.

The broken lines are included for the purpose of illustrating portions of the noise maker that form no part of the claim to the embodiment in which they are shown.

1 Claim, 6 Drawing Sheets



US D610,627 S

Page 2

U.S. PATENT DOCUMENTS

2,280,582	A *	4/1942	Hoeflich	156/253	D339,602	S *	9/1993	Davies	D17/22
5,177,310	A *	1/1993	Davies	84/404	D369,388	S *	4/1996	Gilbert et al.	D21/405
5,217,222	A *	6/1993	Rudell et al.	473/528	2003/0013564	A1 *	1/2003	McDaniel	473/527

* cited by examiner

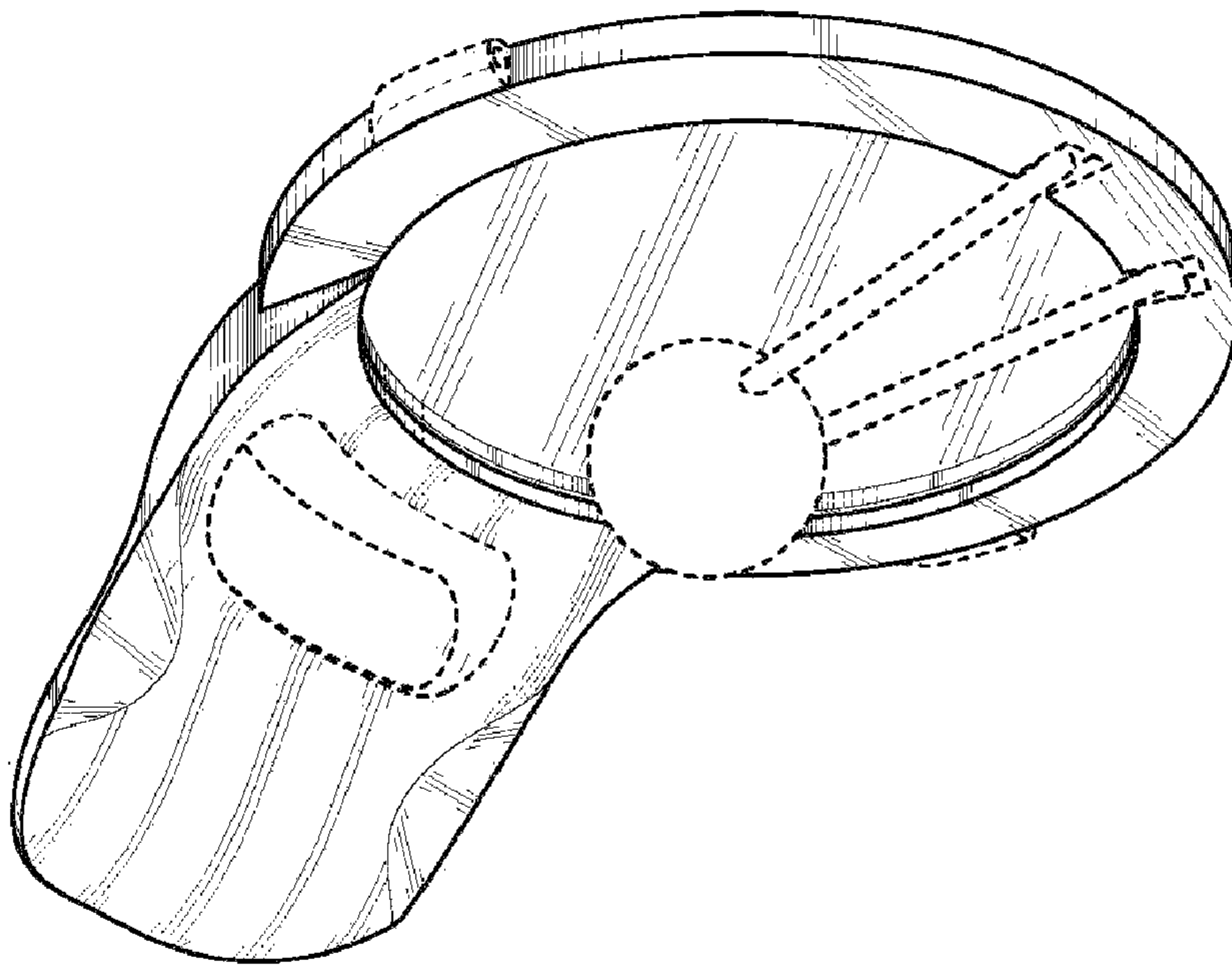


FIG. 1

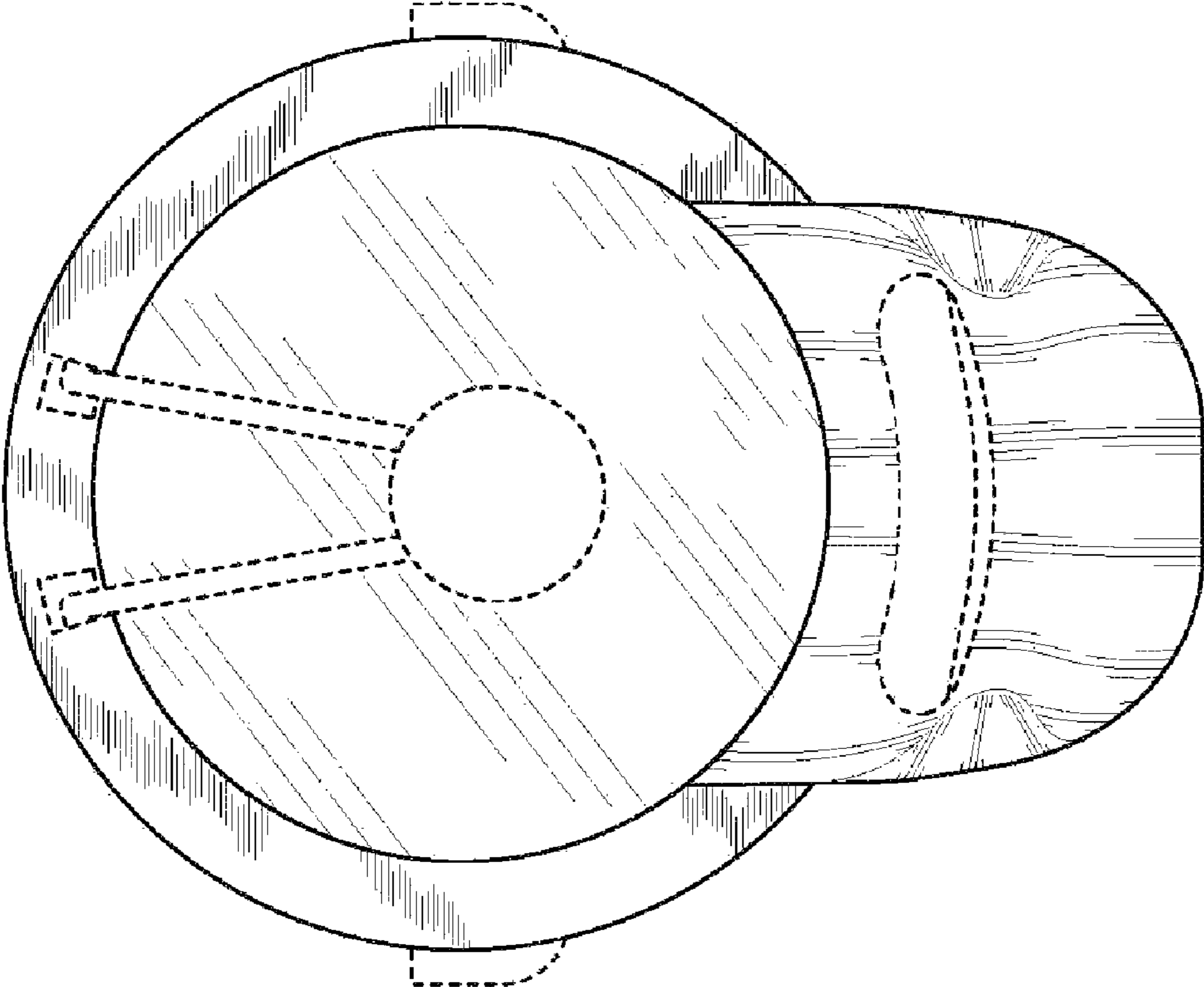


FIG. 3

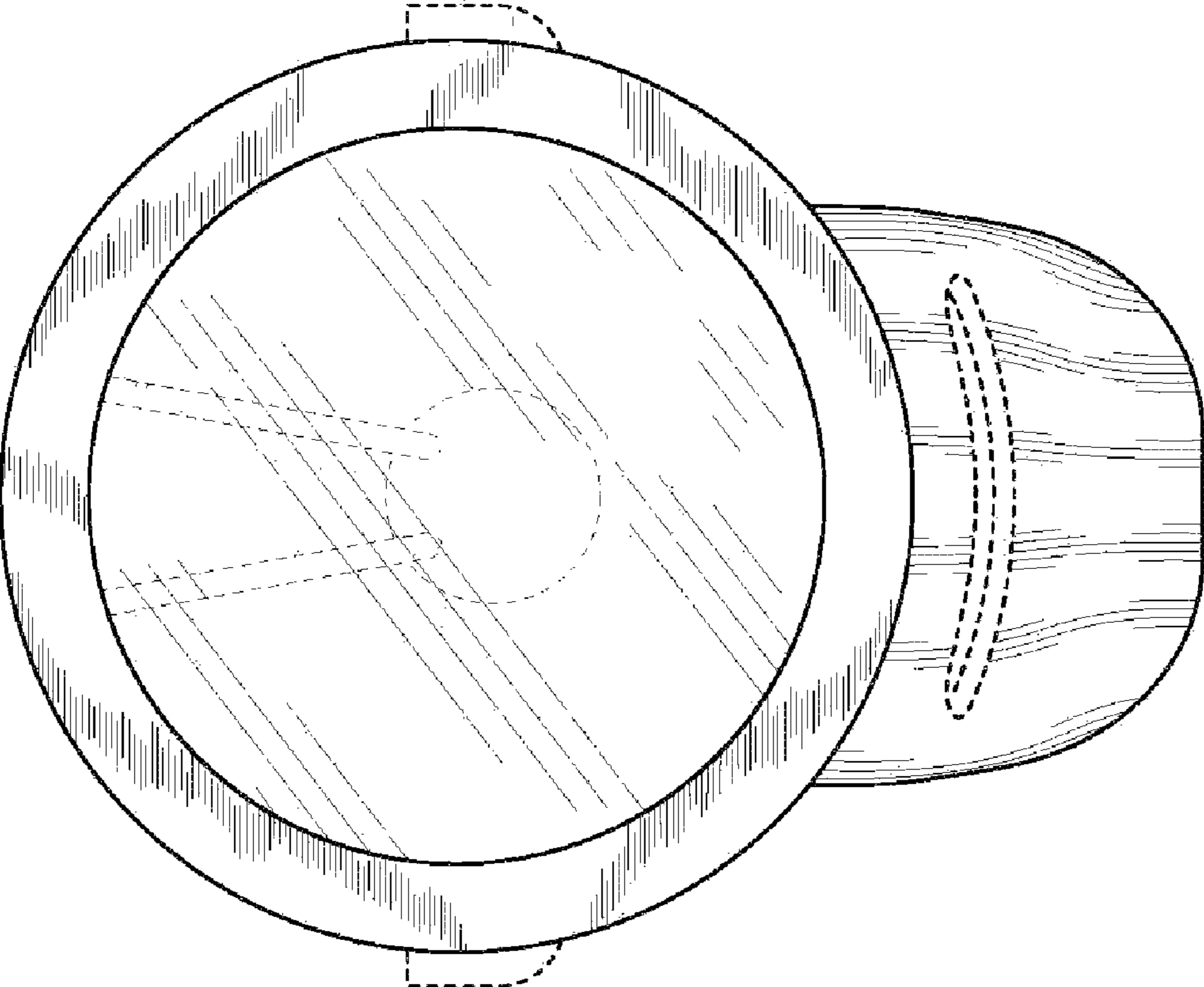


FIG. 2

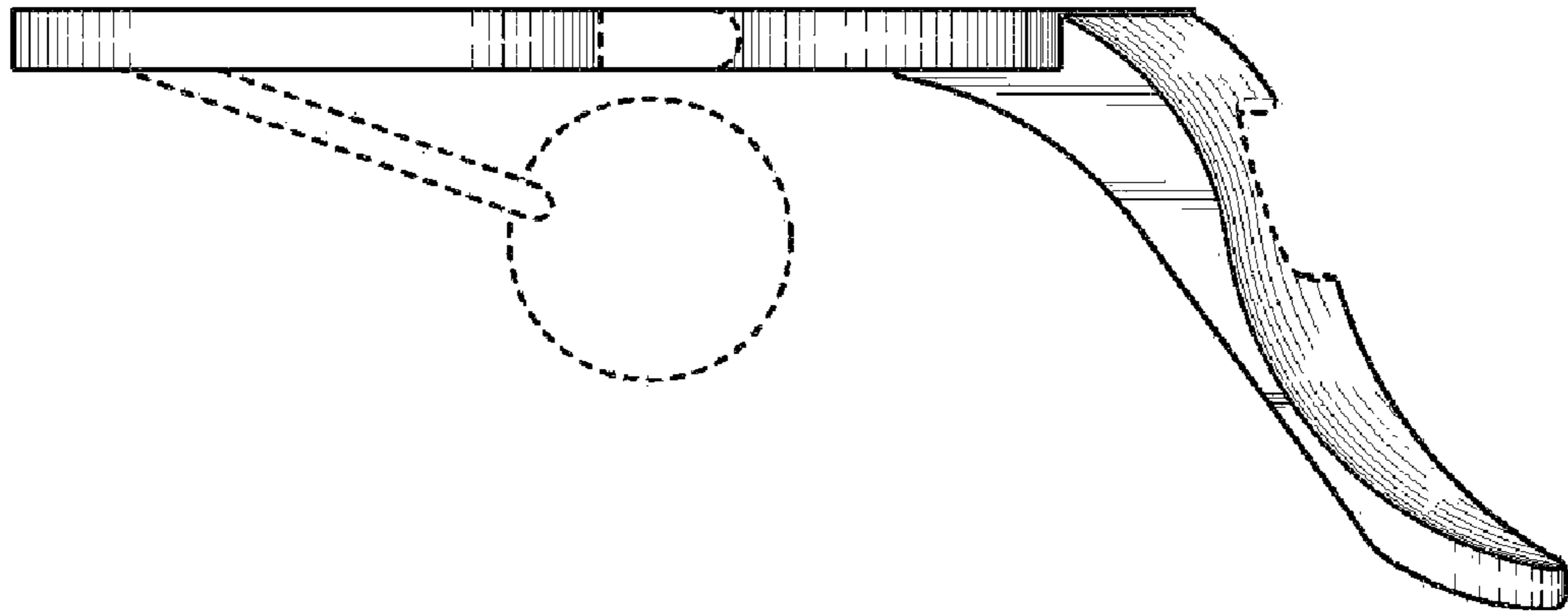


FIG. 4

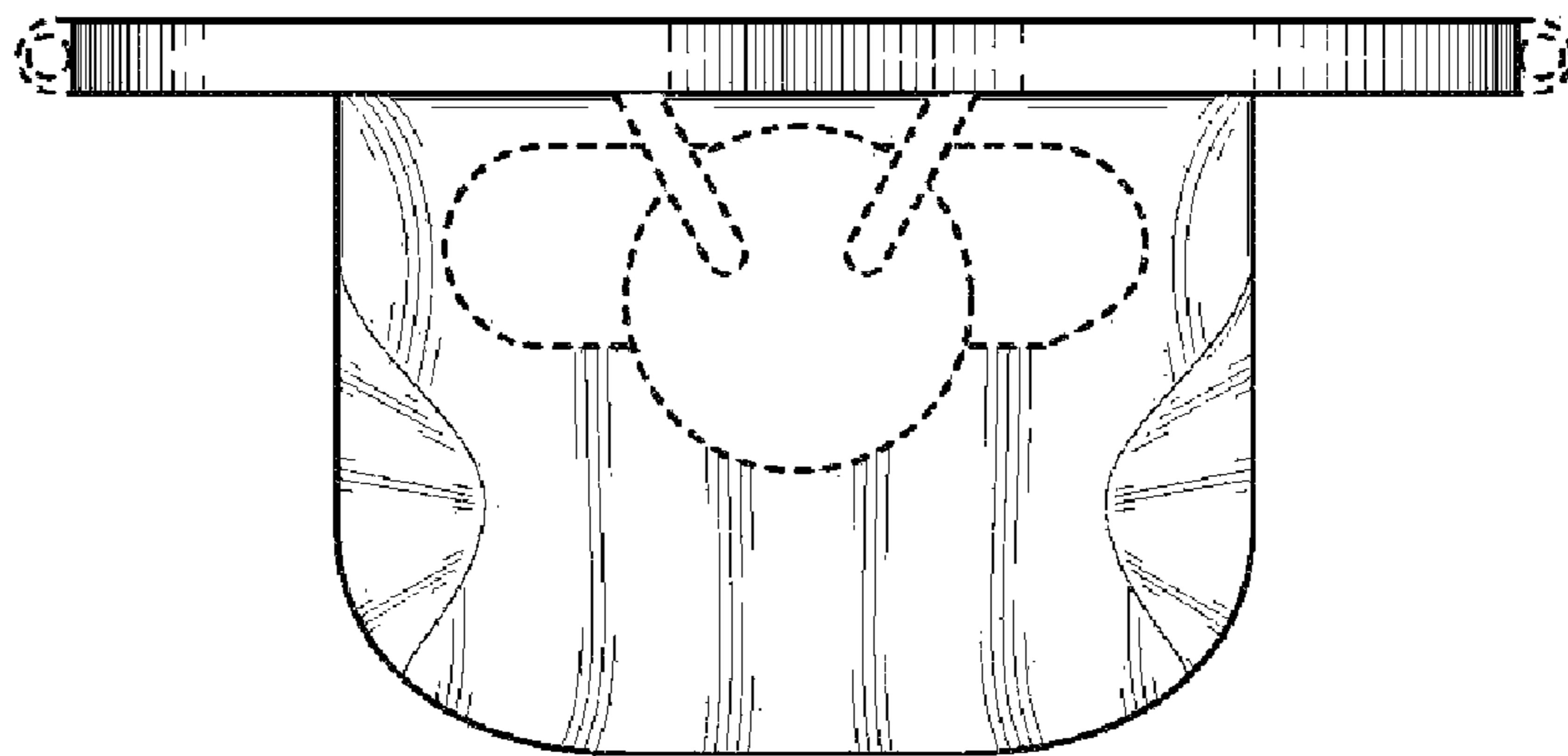


FIG. 5

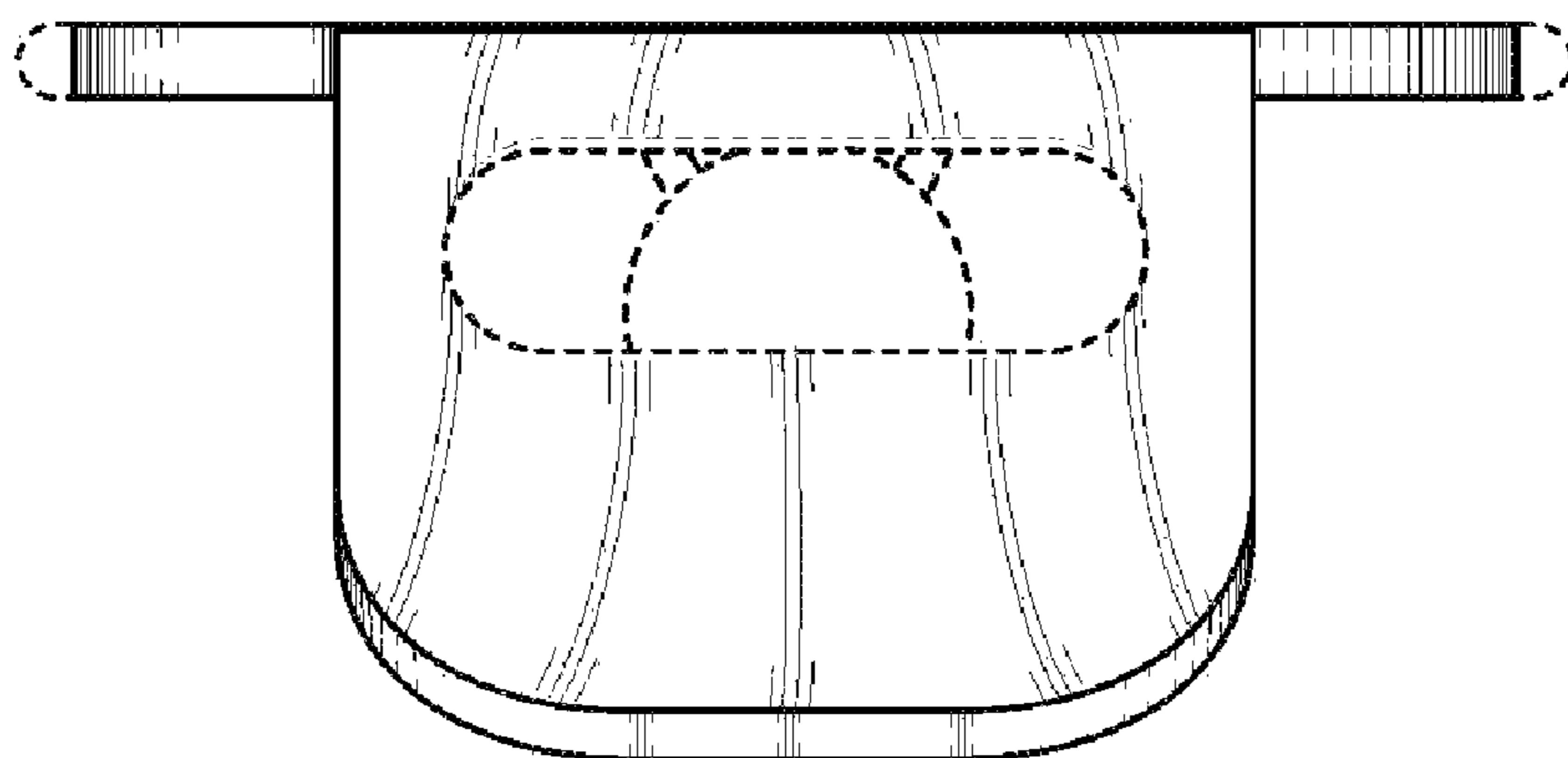


FIG. 6

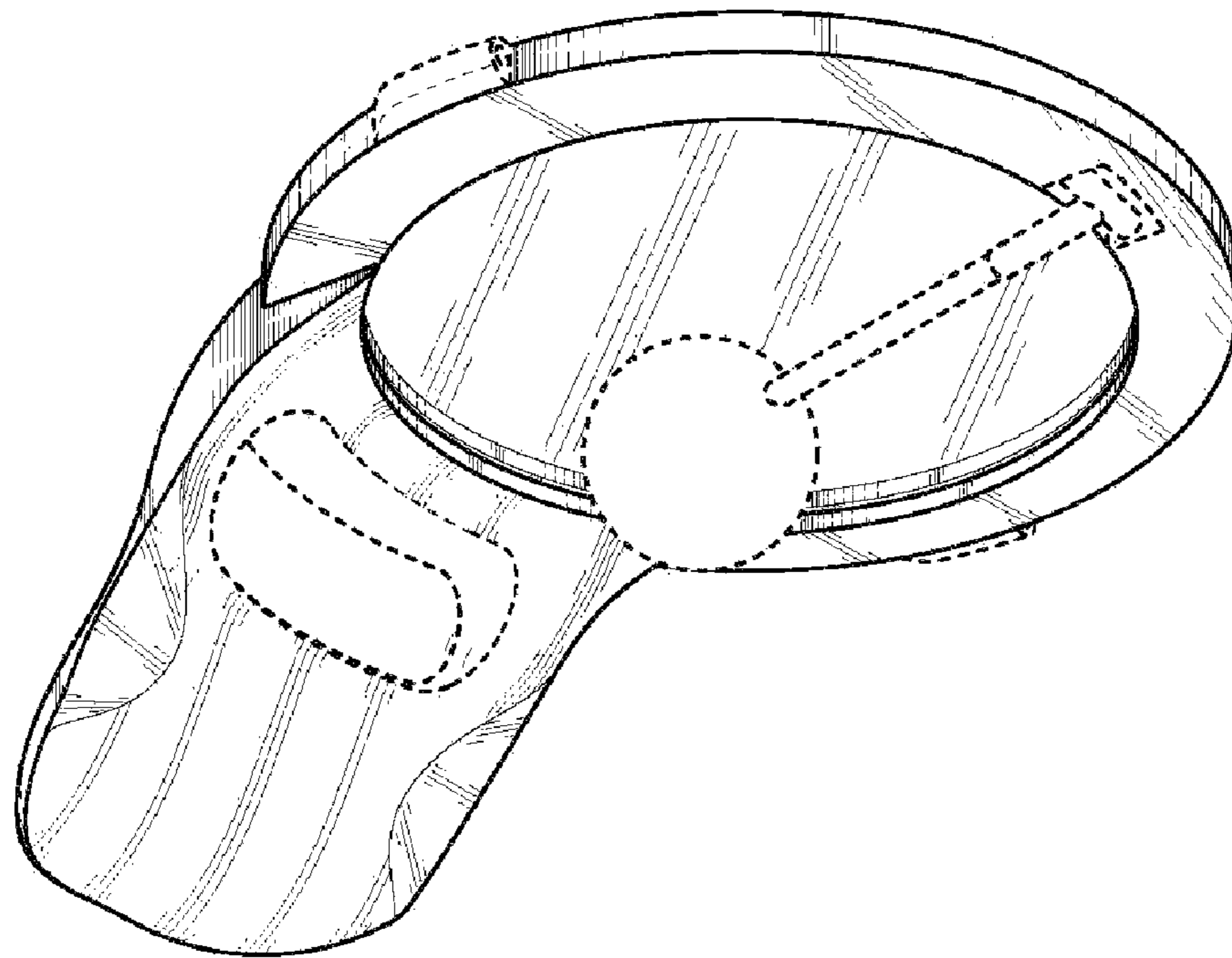


FIG. 7

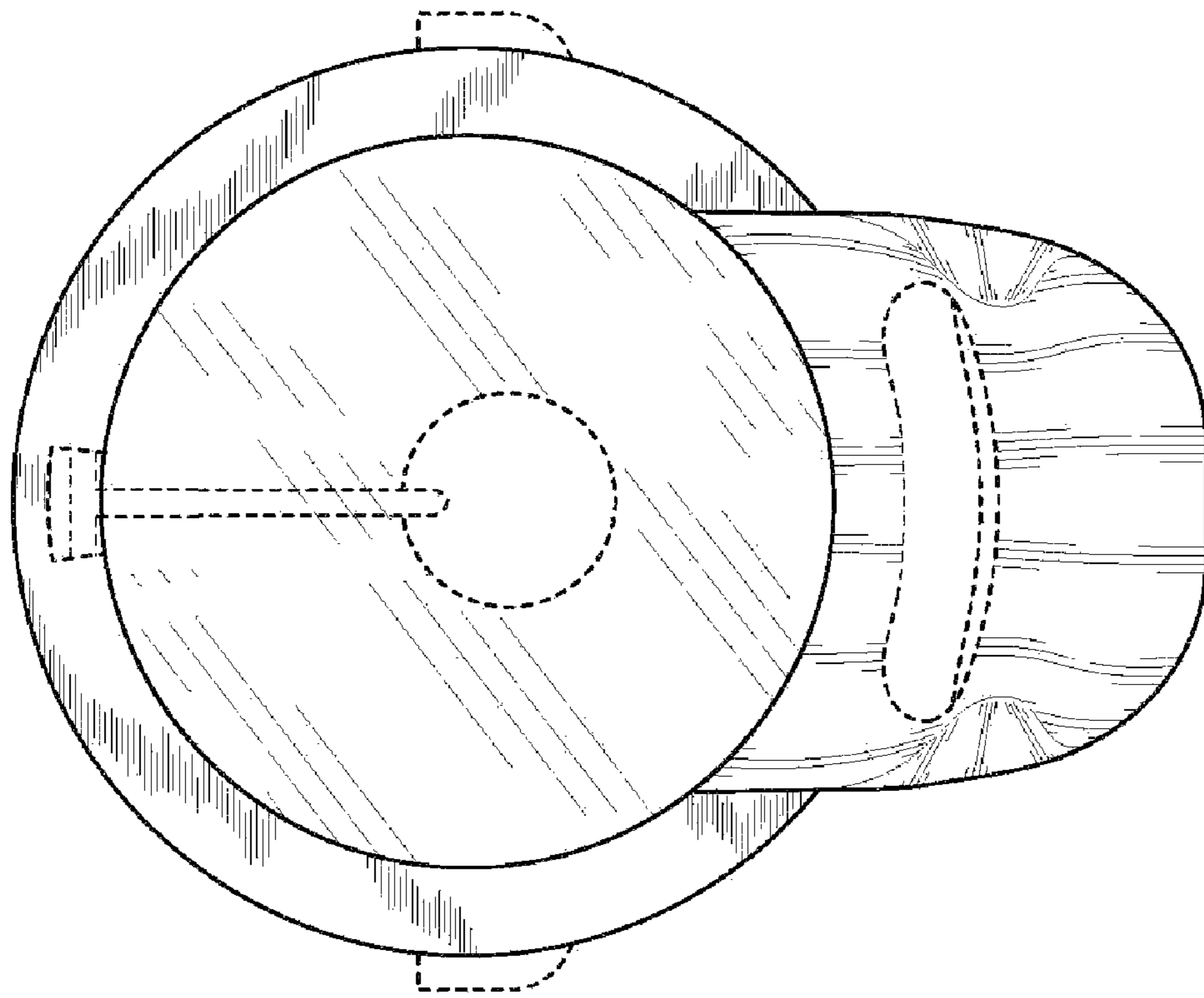


FIG. 9

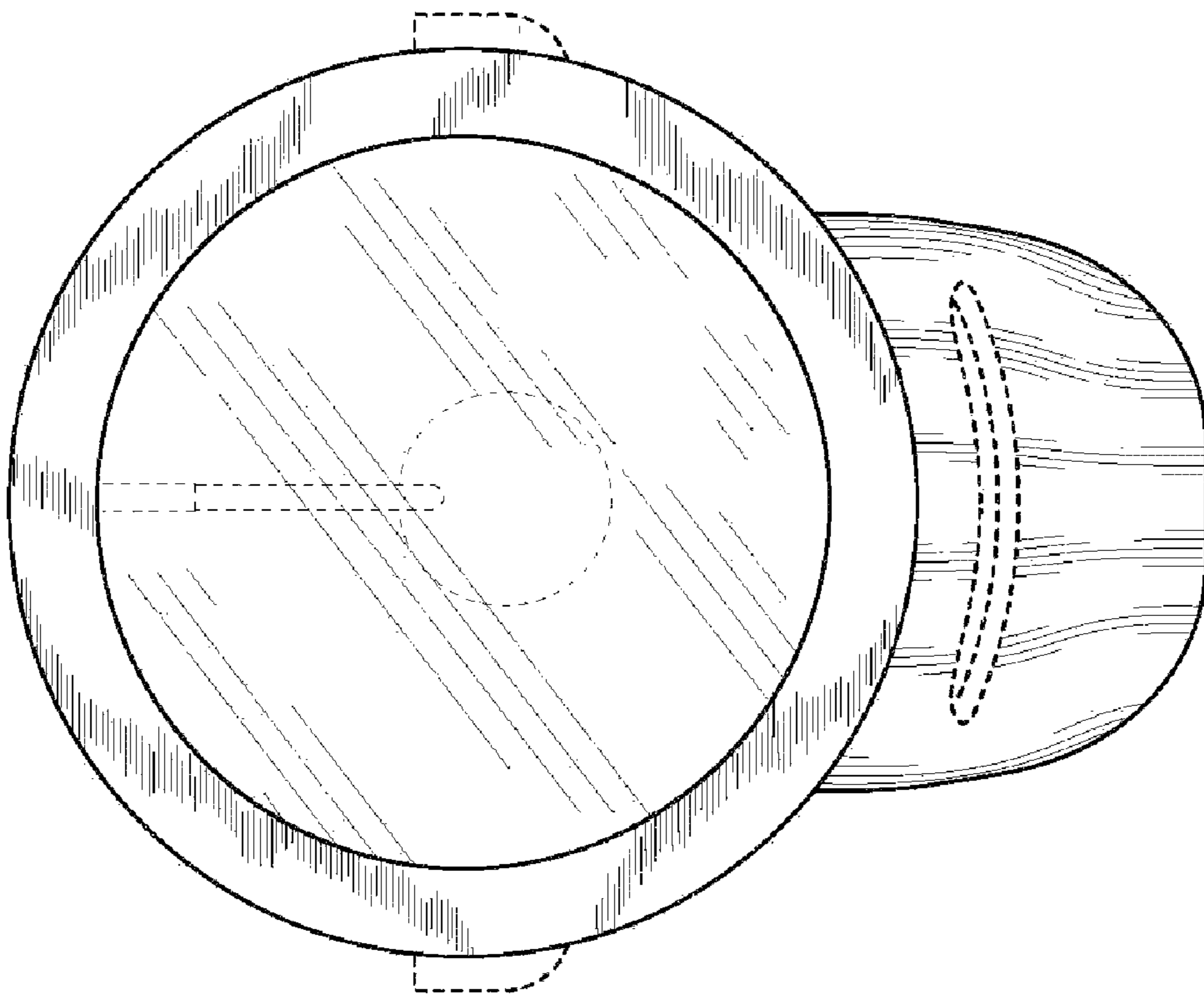


FIG. 8

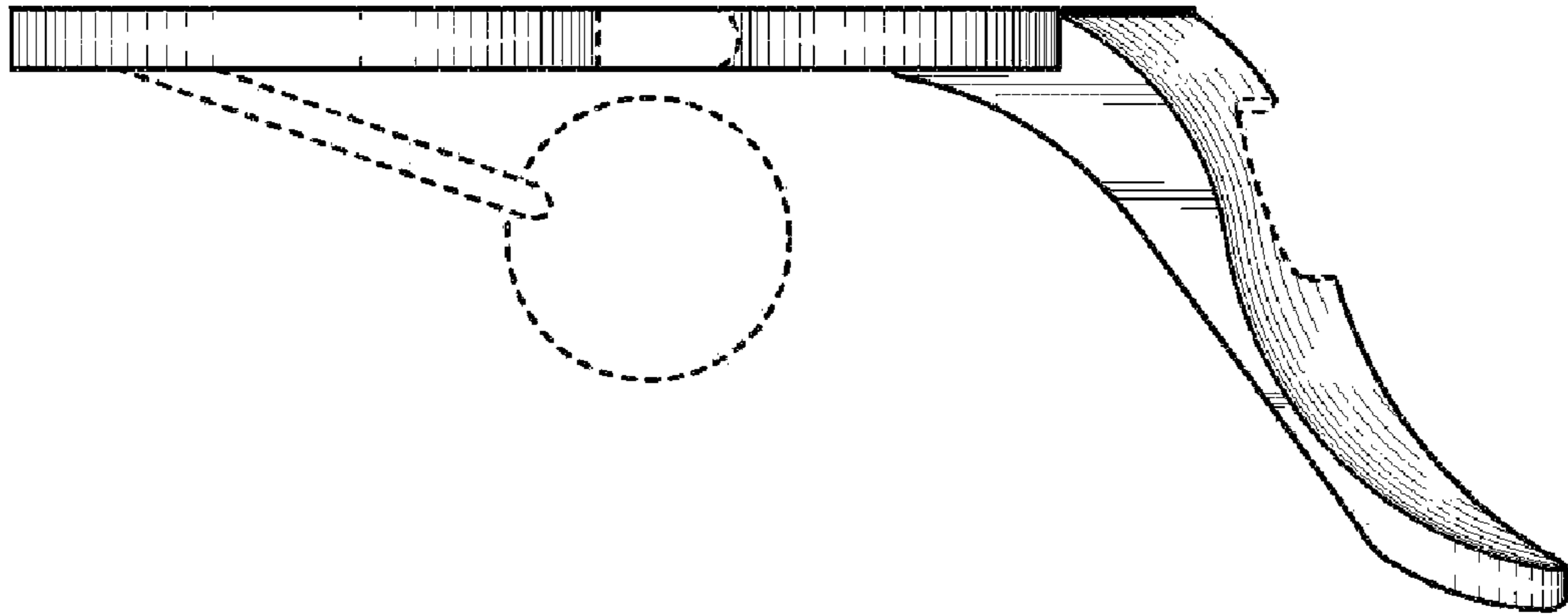


FIG. 10

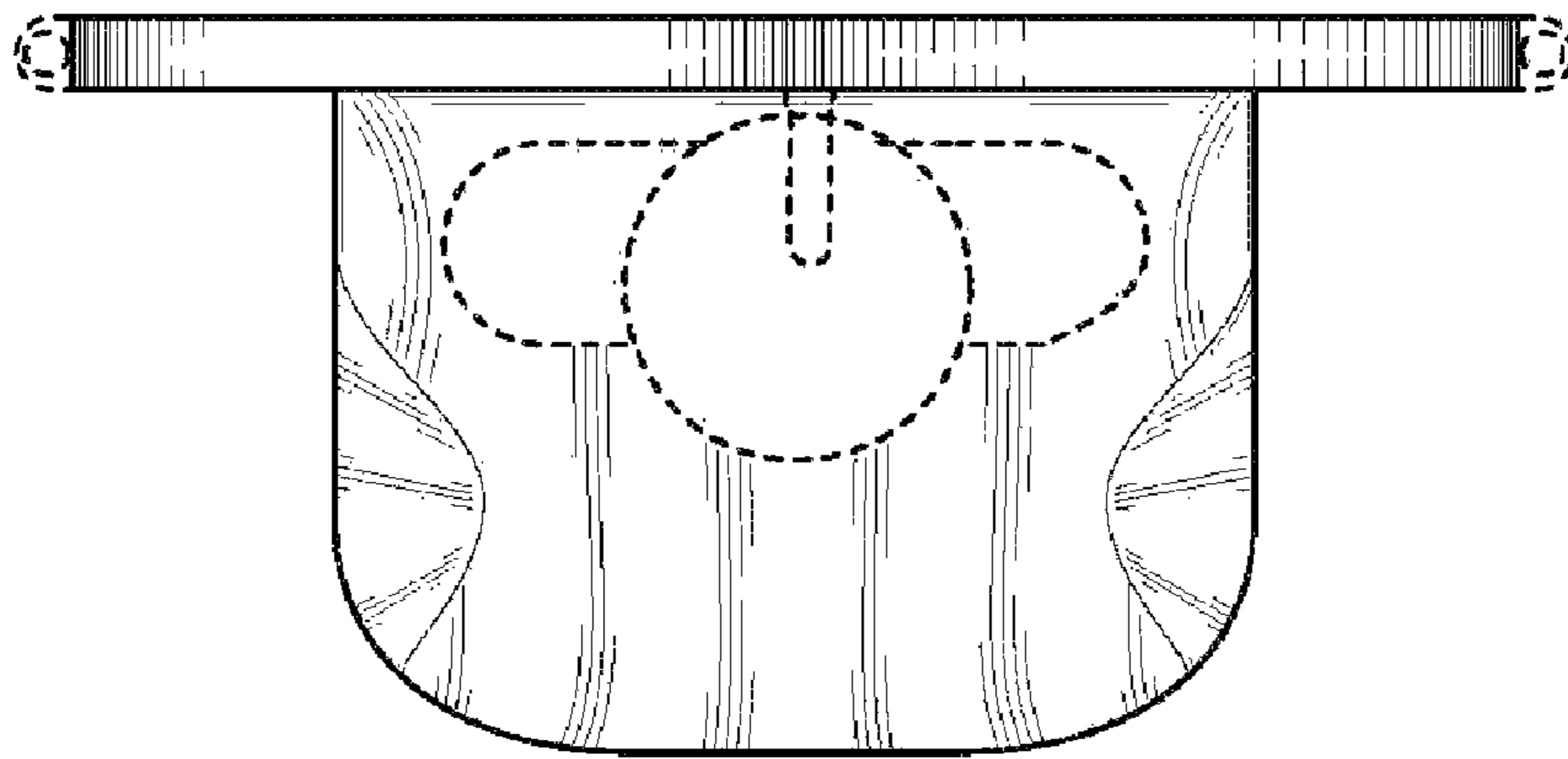


FIG. 11

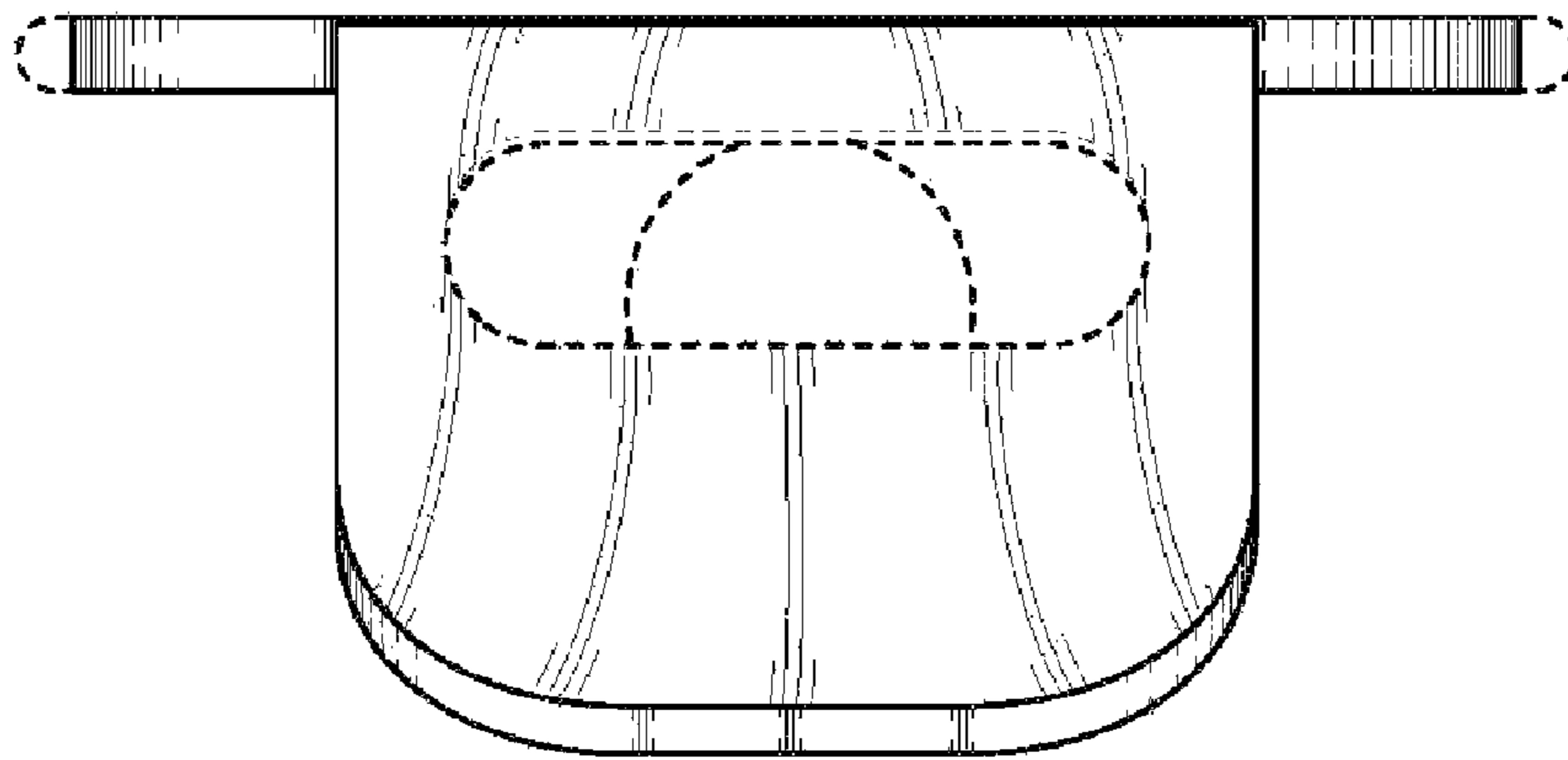


FIG. 12