



US00D610625S

(12) **United States Design Patent**
Guinchard et al.

(10) **Patent No.:** **US D610,625 S**

(45) **Date of Patent:** **** Feb. 23, 2010**

(54) **FRETS DEVICE FOR A HANDHELD GAME**

(75) Inventors: **Lee Guinchard**, Mountain View, CA (US); **Lee Yat Lam**, Hong Kong (HK); **Chan Yuk On**, Hong Kong (HK); **Stephen N. Withers**, Kendal (GB)

(73) Assignee: **Activision Publishing, Inc.**, Santa Monica, CA (US)

(**) Term: **14 Years**

(21) Appl. No.: **29/305,120**

(22) Filed: **Mar. 13, 2008**

(51) **LOC (9) Cl.** **21-01**

(52) **U.S. Cl.** **D21/333**

(58) **Field of Classification Search** D21/300, D21/324, 328, 332, 333; D14/496, 356, D14/474, 217; 273/148 R, 148 B; 463/1, 463/46, 47, 43; D17/20; 84/718, 722
See application file for complete search history.

(56) **References Cited**

U.S. PATENT DOCUMENTS

3,785,240	A *	1/1974	Hill	84/485 R
4,038,897	A *	8/1977	Murray et al.	84/722
4,222,303	A *	9/1980	Kryzanowsky	84/315
4,566,363	A *	1/1986	Arai	84/711

4,619,175	A *	10/1986	Matsuzaki	84/644
4,635,518	A *	1/1987	Meno	84/722
4,665,789	A *	5/1987	Papadatos	84/317
6,013,868	A *	1/2000	Sims et al.	84/318
6,998,526	B1 *	2/2006	Sims et al.	84/318
D589,512	S *	3/2009	Gray	D14/400
D599,414	S *	9/2009	Krise et al.	D21/397
2008/0028920	A1 *	2/2008	Sullivan	84/722

* cited by examiner

Primary Examiner—Prabahakar Deshmukh

(74) *Attorney, Agent, or Firm*—Klein, O’Neill & Singh, LLP

(57) **CLAIM**

The ornamental design for a frets device for a handheld game, as shown and described.

DESCRIPTION

FIG. 1 is a perspective view of a frets device for a handheld game in accordance with our design;

FIG. 2 is a top view of the device of FIG. 1;

FIG. 3 is a bottom view of the device of FIG. 1;

FIG. 4 is a front view of the device of FIG. 1;

FIG. 5 is a side view of the device of FIG. 1, the opposing side view being a mirror image thereof; and,

FIG. 6 is a rear view of the device of FIG. 1.

1 Claim, 6 Drawing Sheets

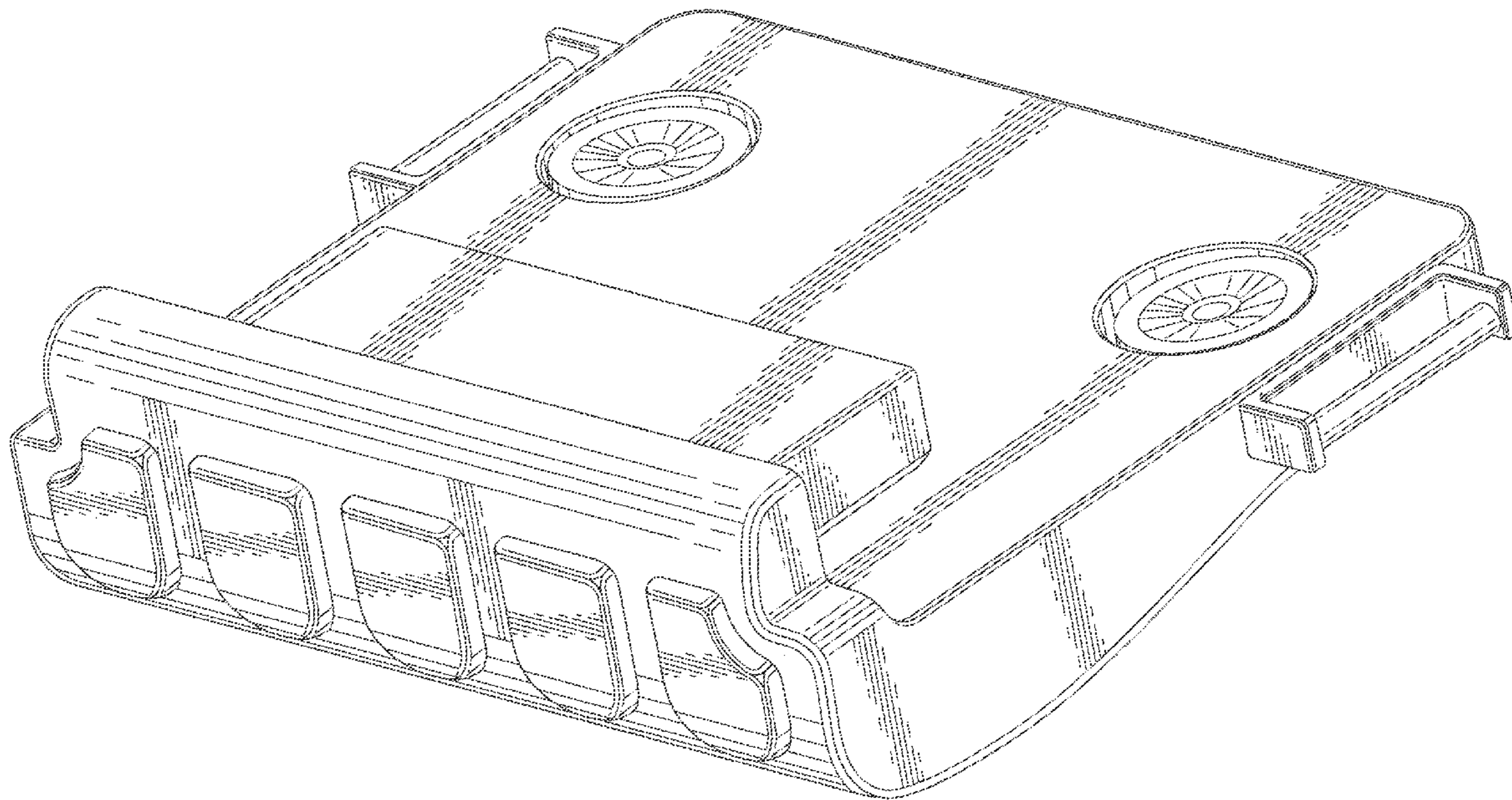
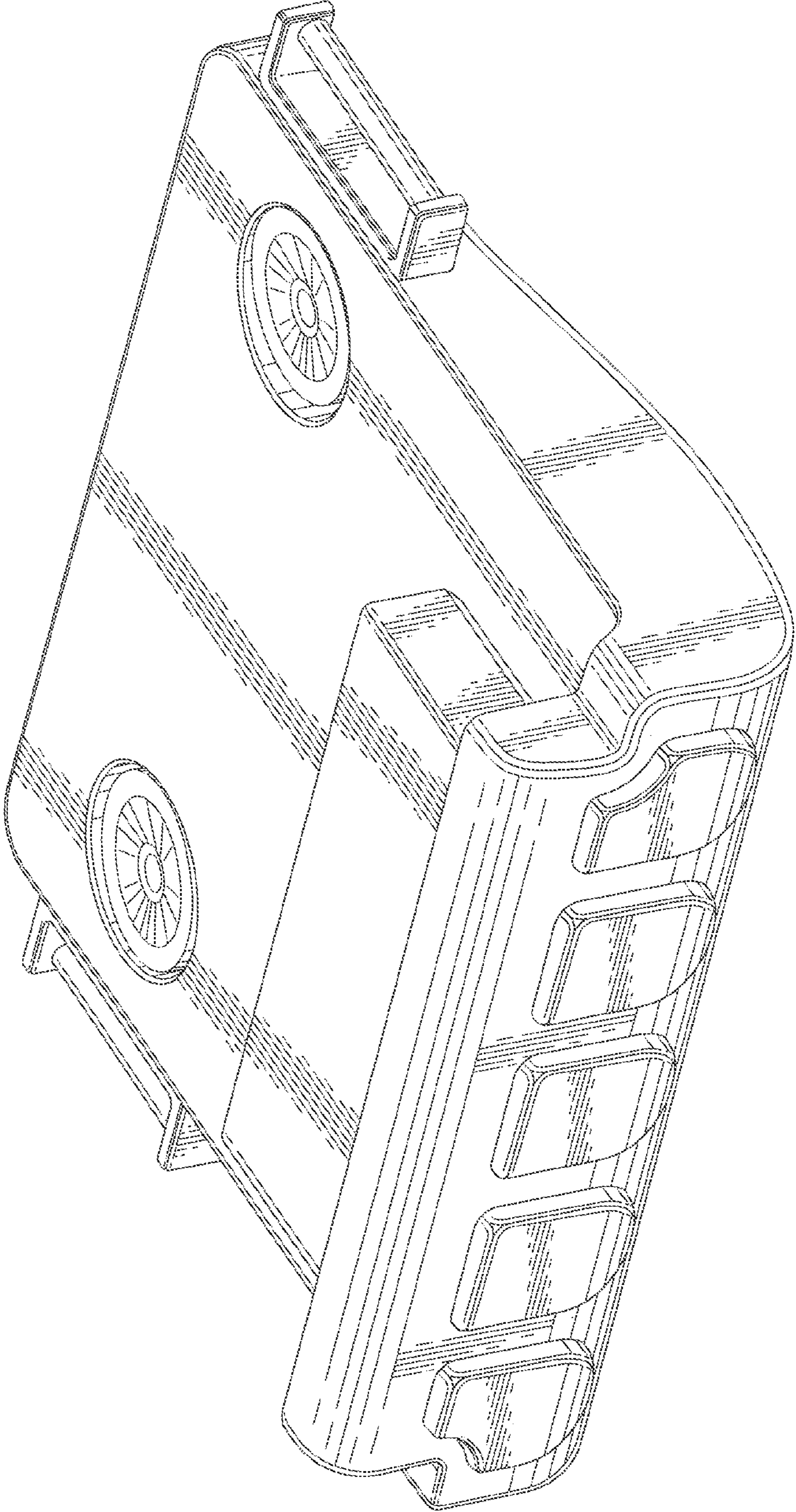


FIG. 1



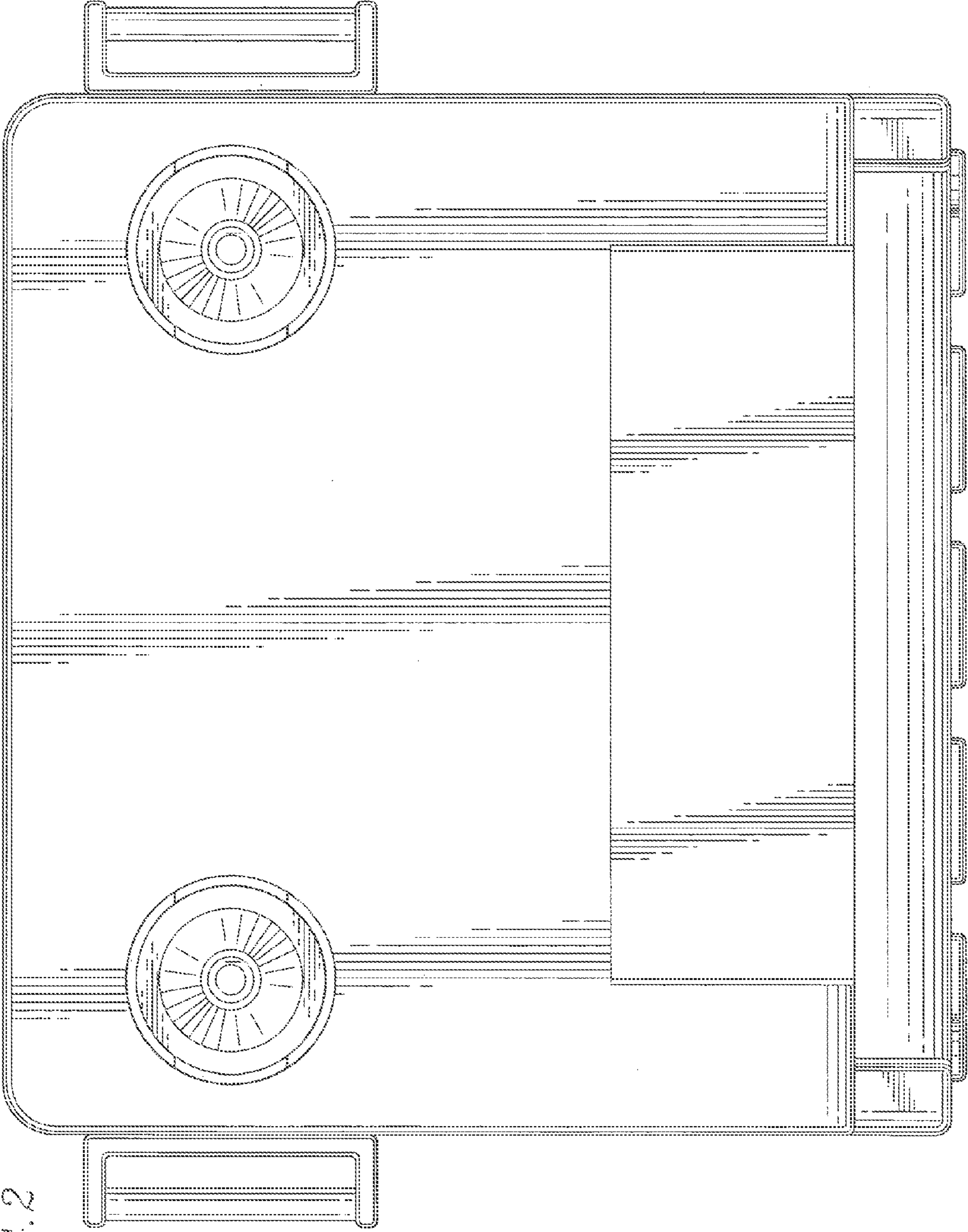


FIG. 2

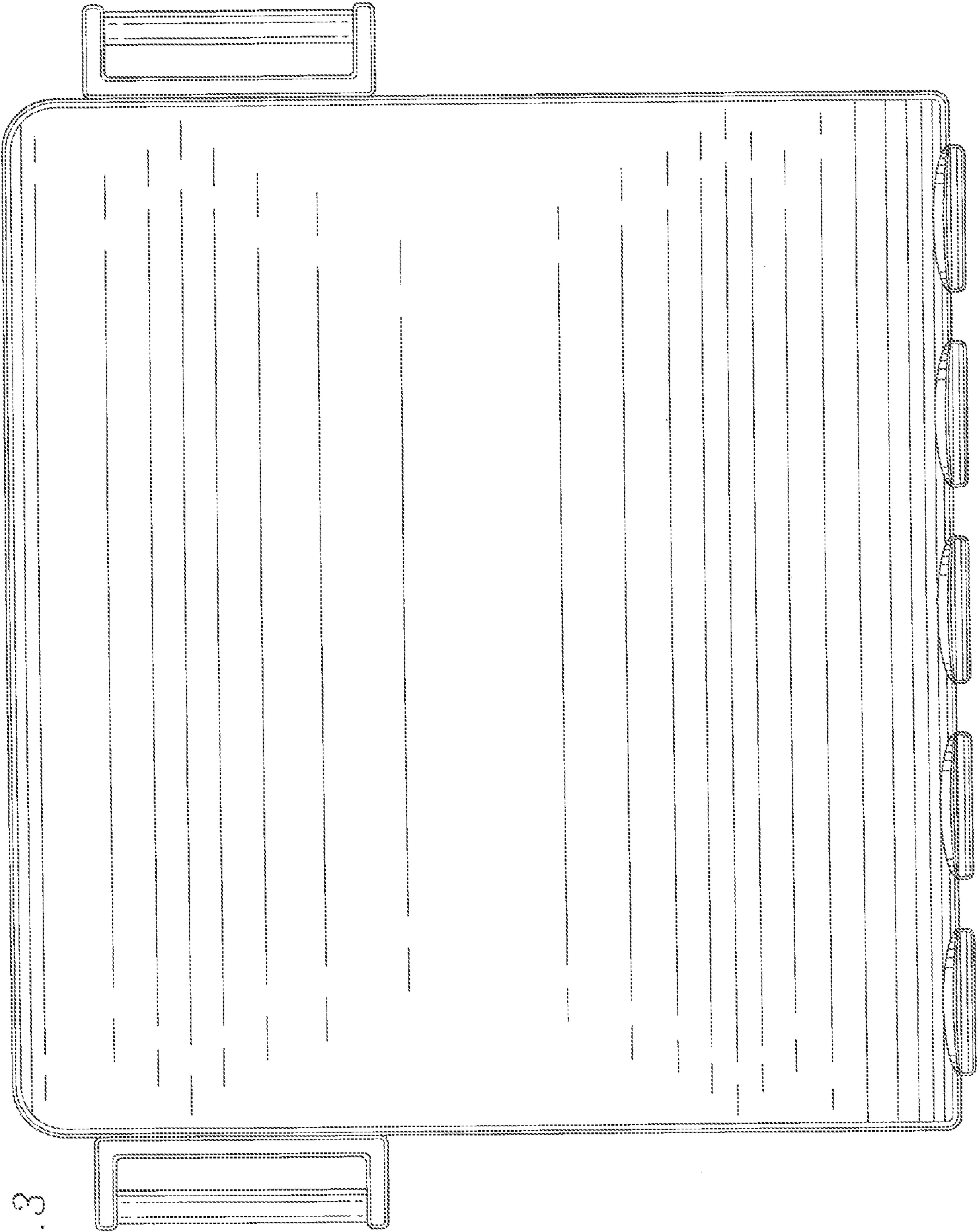


FIG. 3

FIG. 4

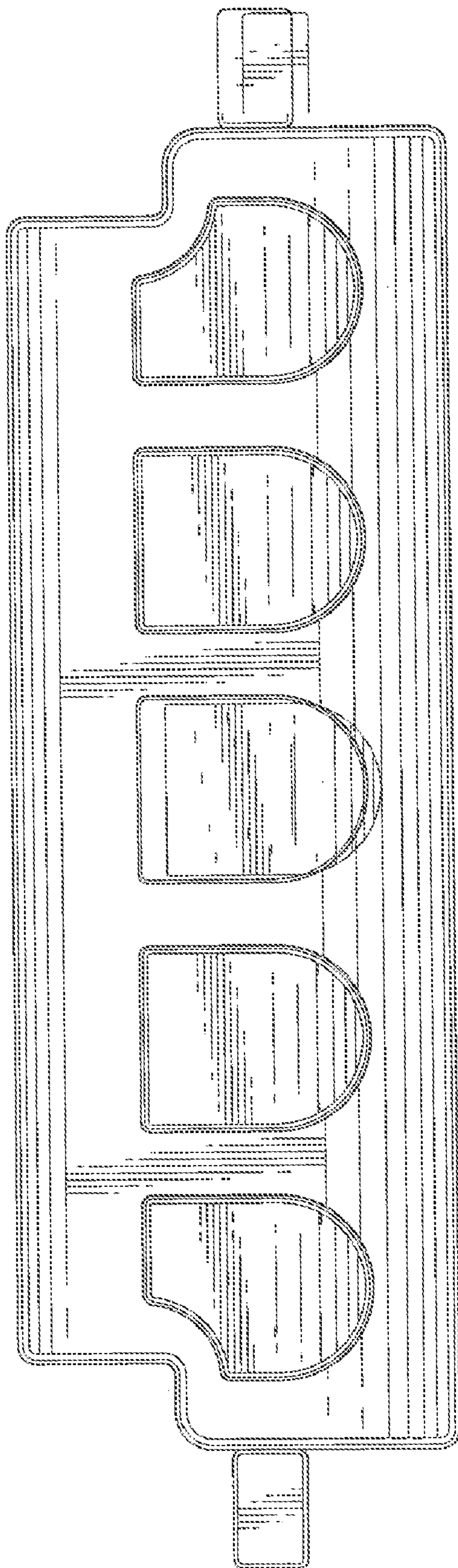


FIG. 5

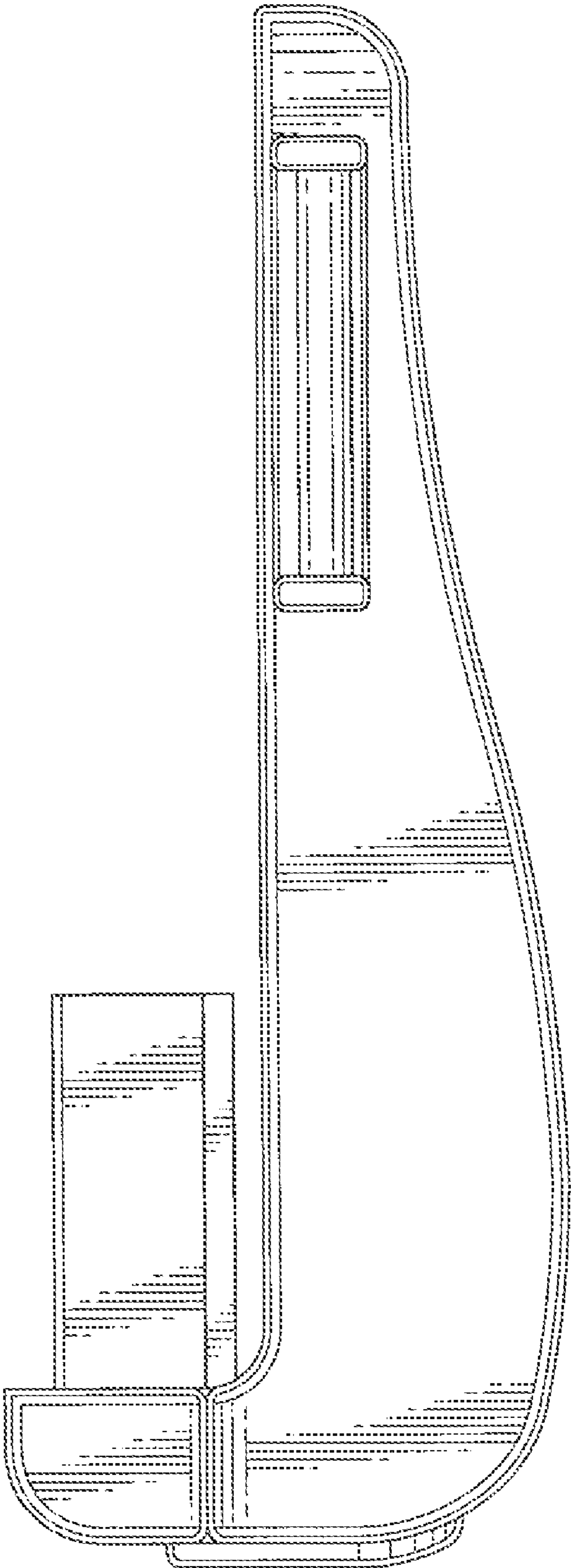


FIG. 6

