



US00D610623S

(12) **United States Design Patent**  
**Makhija et al.**

(10) **Patent No.:** **US D610,623 S**

(45) **Date of Patent:** **\*\* Feb. 23, 2010**

(54) **SIGNAGE EASEL BASE**

(76) Inventors: **Manu B Makhija**, 25119 Valley Oak Dr., Castro Valley, CA (US) 94552;  
**Benjamin L Garfinkle**, 1120 Portal Ave., Piedmont, CA (US) 94610

(\*\*) Term: **14 Years**

(21) Appl. No.: **29/335,129**

(22) Filed: **Apr. 9, 2009**

**Related U.S. Application Data**

(60) Continuation of application No. 11/888,108, filed on Jul. 31, 2007, which is a continuation of application No. 10/147,669, filed on Jul. 22, 2002, which is a division of application No. 09/684,726, filed on Oct. 6, 2000, now Pat. No. 6,530,166.

(51) **LOC (9) Cl.** ..... **20-02**

(52) **U.S. Cl.** ..... **D20/43**

(58) **Field of Classification Search** ..... D20/10, D20/19, 22, 40, 41, 43, 99; 40/299.01, 316, 40/320, 541, 584, 606.01, 606.03, 606.14, 40/606.15, 606.18, 607, 607.01, 607.04, 40/607.11, 607.13, 658, 642.02, 661, 661.01, 40/661.05, 661.12; D10/109; 128/204; 362/812; 248/473

See application file for complete search history.

(56) **References Cited**

**U.S. PATENT DOCUMENTS**

4,134,222 A \* 1/1979 Orsos ..... 40/606.15

4,777,750 A \* 10/1988 Garfinkle ..... 40/607.04  
D342,097 S \* 12/1993 Seaman ..... D20/10  
D348,286 S \* 6/1994 Garfinkle ..... D20/43  
6,530,166 B1 \* 3/2003 Garfinkle et al. .... 40/606.14  
D490,112 S \* 5/2004 Hadzic et al. .... D20/27  
2002/0174582 A1 \* 11/2002 Garfinkle et al. .... 40/607.1  
2008/0028652 A1 \* 2/2008 Makhija et al. .... 40/606.15  
2008/0178506 A1 \* 7/2008 Garfinkle ..... 40/658  
2009/0151208 A1 \* 6/2009 Garfinkle ..... 40/299.01

\* cited by examiner

*Primary Examiner*—Janice E Seeger

*Assistant Examiner*—Mary Ann Calabrese

(74) *Attorney, Agent, or Firm*—Bay Area Technology Law Group PC

(57) **CLAIM**

The ornamental design for a signage easel base, as shown and described.

**DESCRIPTION**

FIG. 1 is a perspective view of a signage easel base showing our new design;

FIG. 2 is a top view of the signage easel base;

FIG. 3 is a bottom view thereof;

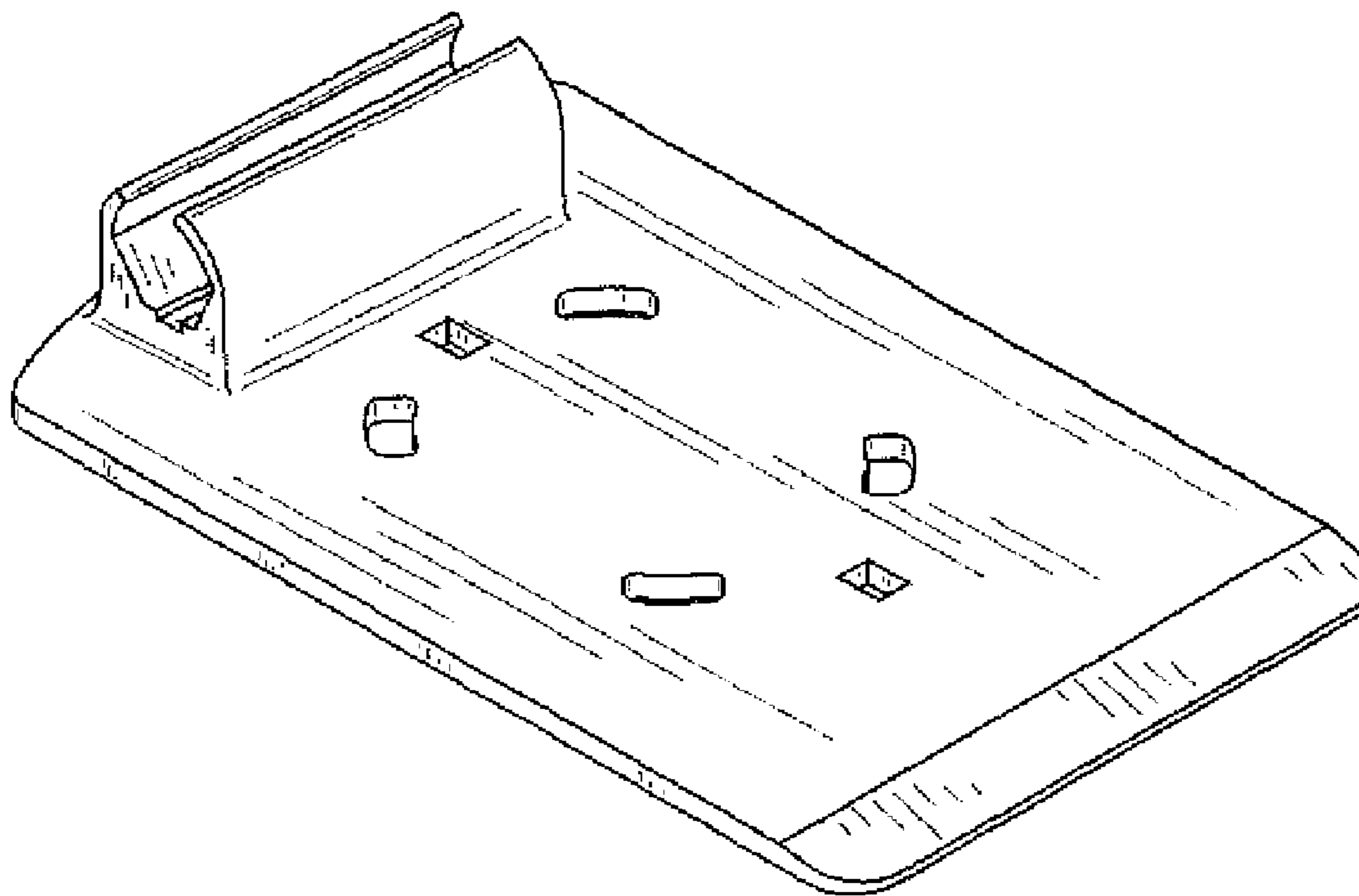
FIG. 4 is a left side view thereof;

FIG. 5 is a right side view thereof;

FIG. 6 is a front view thereof; and,

FIG. 7 is a back side view thereof.

**1 Claim, 2 Drawing Sheets**



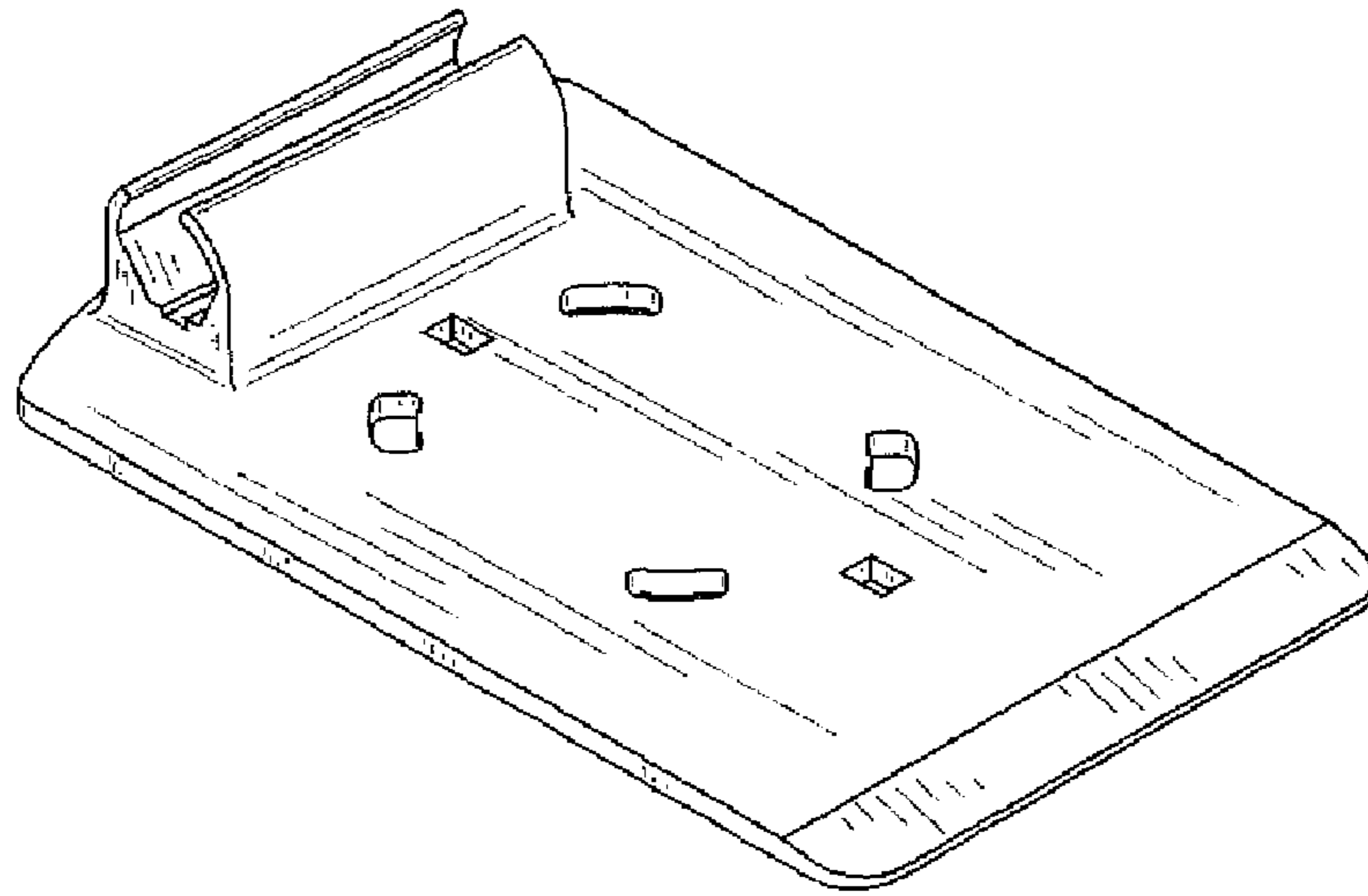


FIG. 1

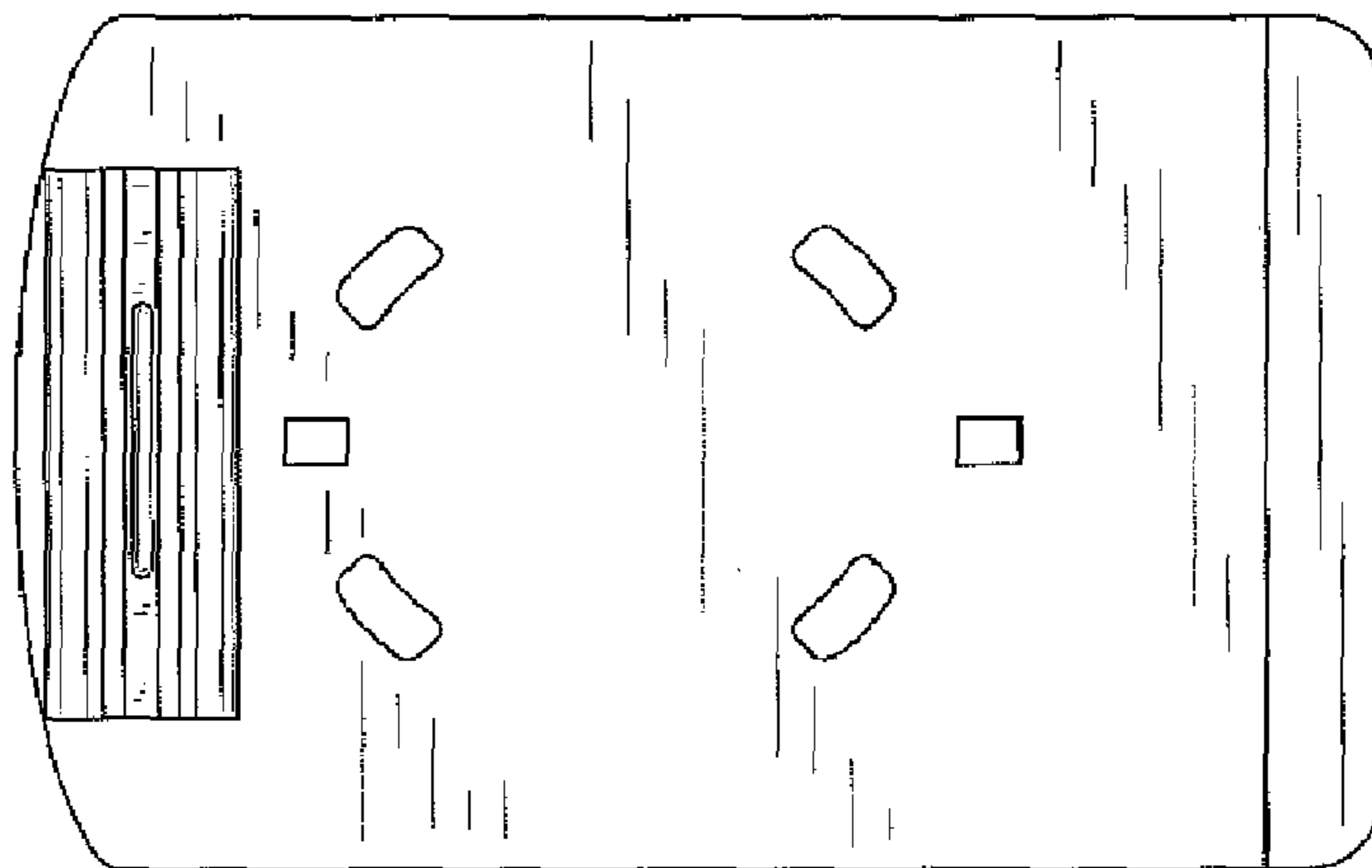


FIG. 2

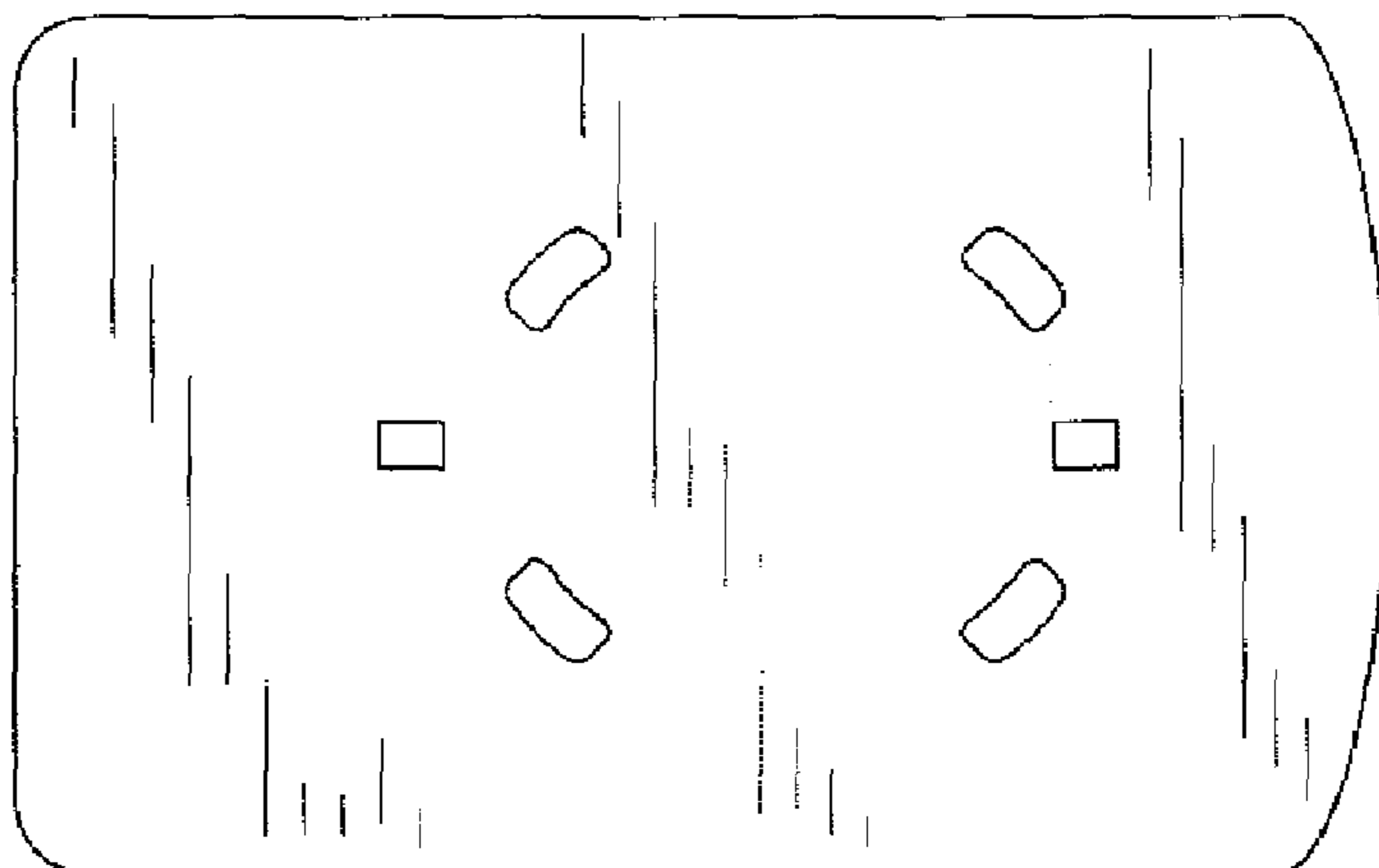
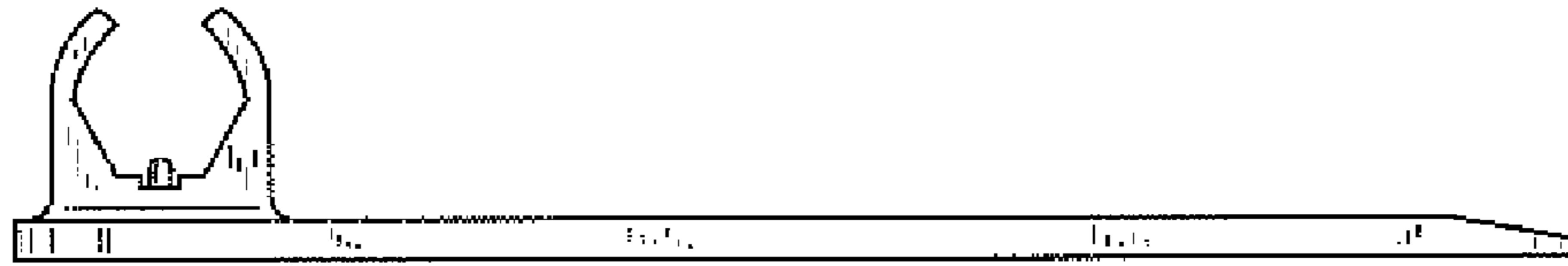
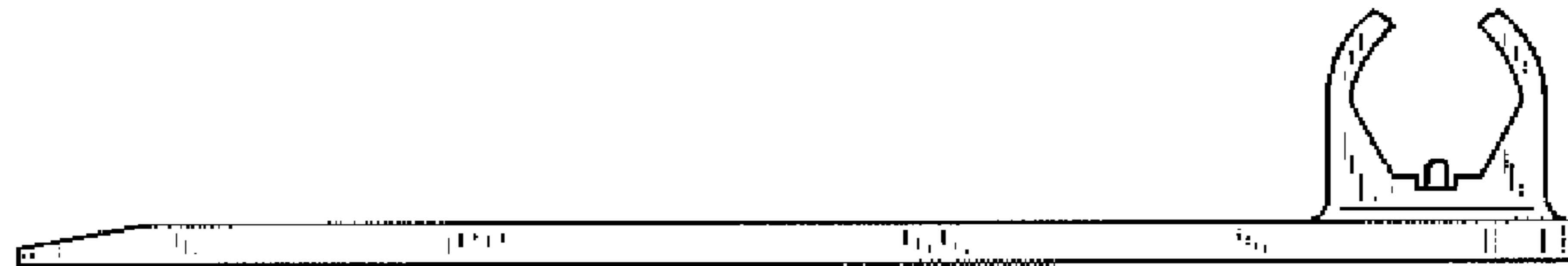


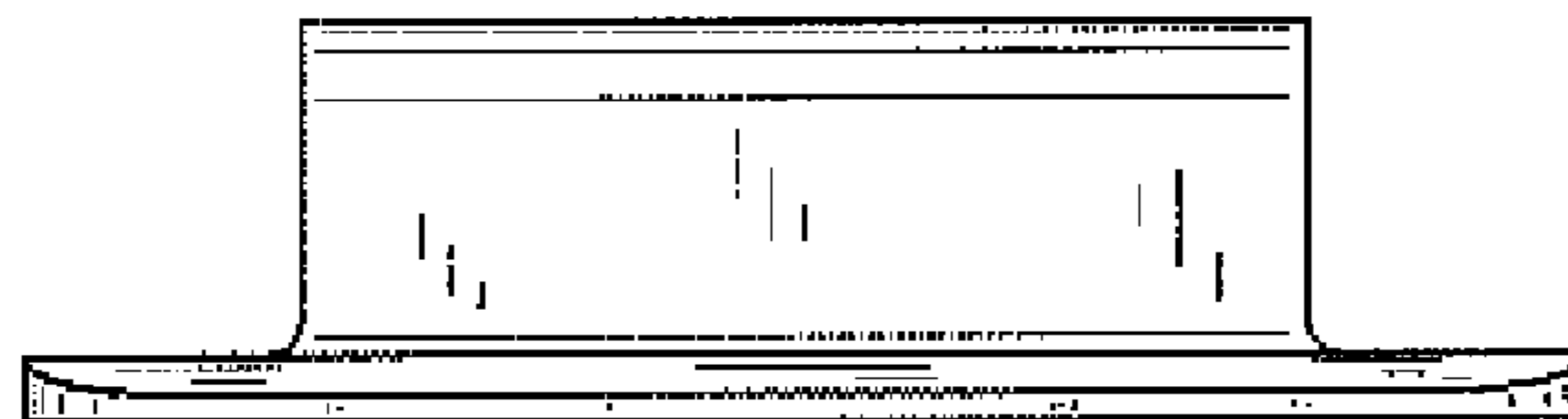
FIG. 3



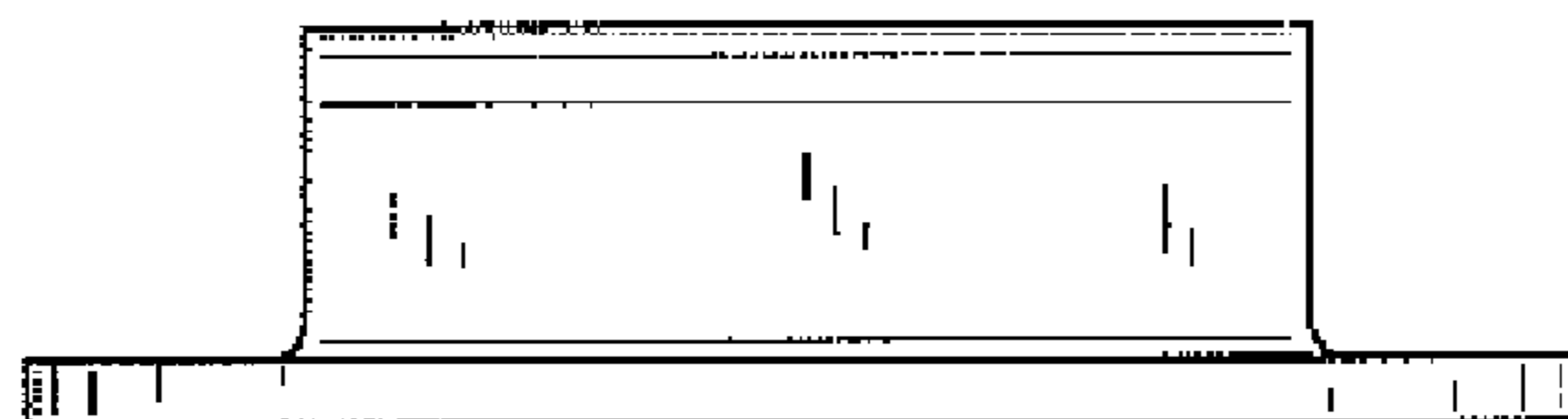
**FIG. 4**



**FIG. 5**



**FIG. 6**



**FIG. 7**