



US00D610620S

(12) **United States Design Patent**  
**Racamier et al.**

(10) **Patent No.:** **US D610,620 S**

(45) **Date of Patent:** **\*\* Feb. 23, 2010**

(54) **OFFICE PERFORATOR**

(75) Inventors: **Daniel Racamier**, La Balme de Sillingy (FR); **Eric Gosse**, Cruseilles (FR)

(73) Assignee: **Maped** (FR)

(\*\*) Term: **14 Years**

(21) Appl. No.: **29/332,334**

(22) Filed: **Feb. 13, 2009**

(51) **LOC (9) Cl.** ..... **19-02**

(52) **U.S. Cl.** ..... **D19/72**

(58) **Field of Classification Search** ..... D8/98;  
D19/72; 30/358; 83/167, 467.1, 468, 468.2,  
83/549, 588, 618, 620, 633, 651, 684  
See application file for complete search history.

(56) **References Cited**

**U.S. PATENT DOCUMENTS**

4,466,322	A *	8/1984	Mori	83/468
D467,618	S *	12/2002	Gstalder	D19/72
D479,857	S *	9/2003	Huang	D19/72
6,644,161	B2 *	11/2003	Lin	83/588
D496,071	S *	9/2004	Huang	D19/72
7,331,266	B2 *	2/2008	Chen	83/633
D567,862	S *	4/2008	Chen et al.	D19/72
D573,649	S *	7/2008	Chen et al.	D19/72
2006/0278056	A1 *	12/2006	Chen et al.	83/588

2009/0133560 A1\* 5/2009 Chen et al. .... 83/588

**FOREIGN PATENT DOCUMENTS**

WO DM/060659 \* 7/2002

WO DM/066930 \* 6/2005

\* cited by examiner

*Primary Examiner*—Elizabeth A Albert

*Assistant Examiner*—Karen E Eldridge Powers

(74) *Attorney, Agent, or Firm*—Cantor Colburn LLP

(57) **CLAIM**

We claim, the ornamental design for an office perforator, as shown and described.

**DESCRIPTION**

FIG. 1 is a front perspective view of a office perforator, showing our new design;

FIG. 2 is a rear perspective view thereof;

FIG. 3 is a side elevational view thereof;

FIG. 4 is an opposite side elevational view thereof;

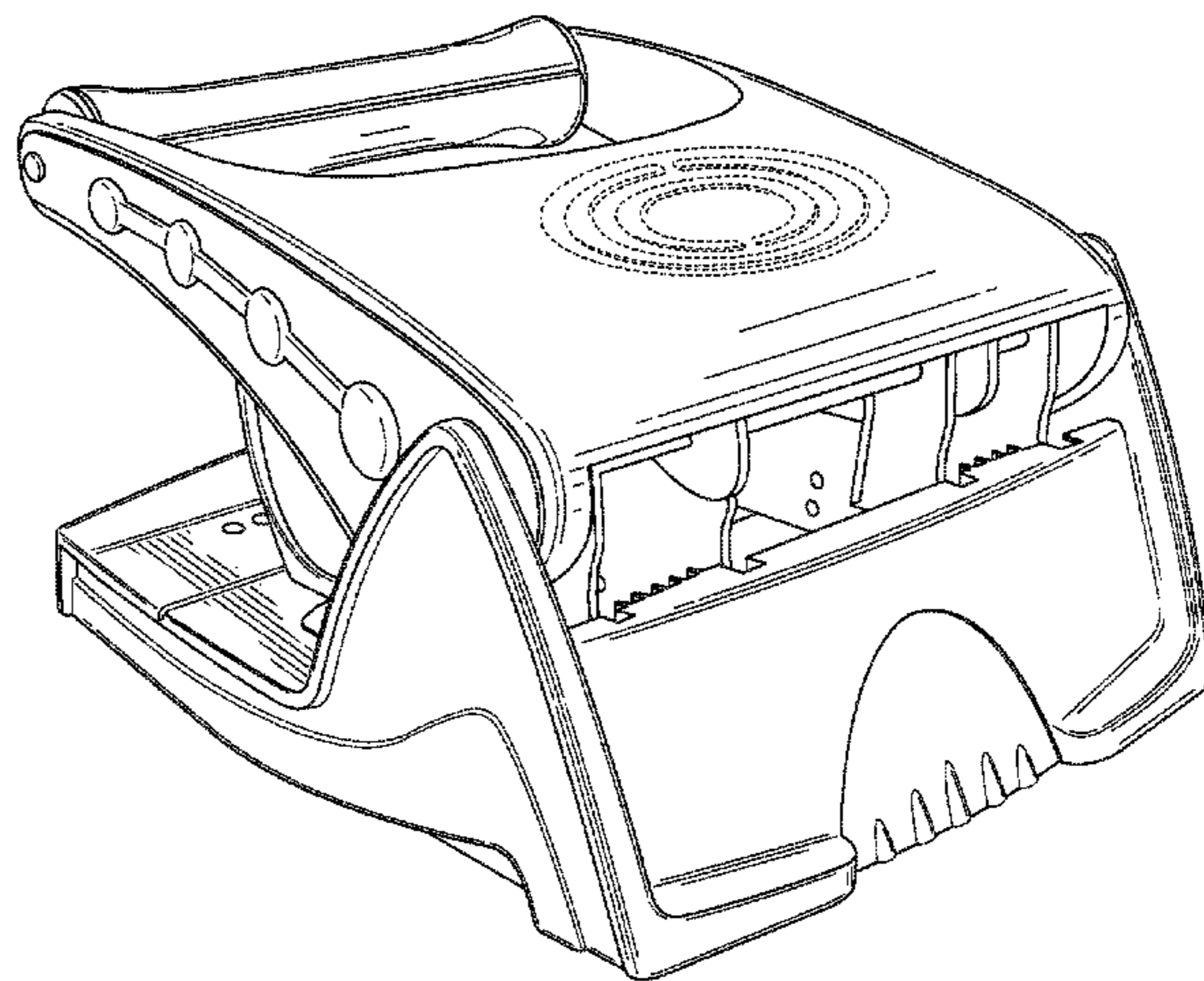
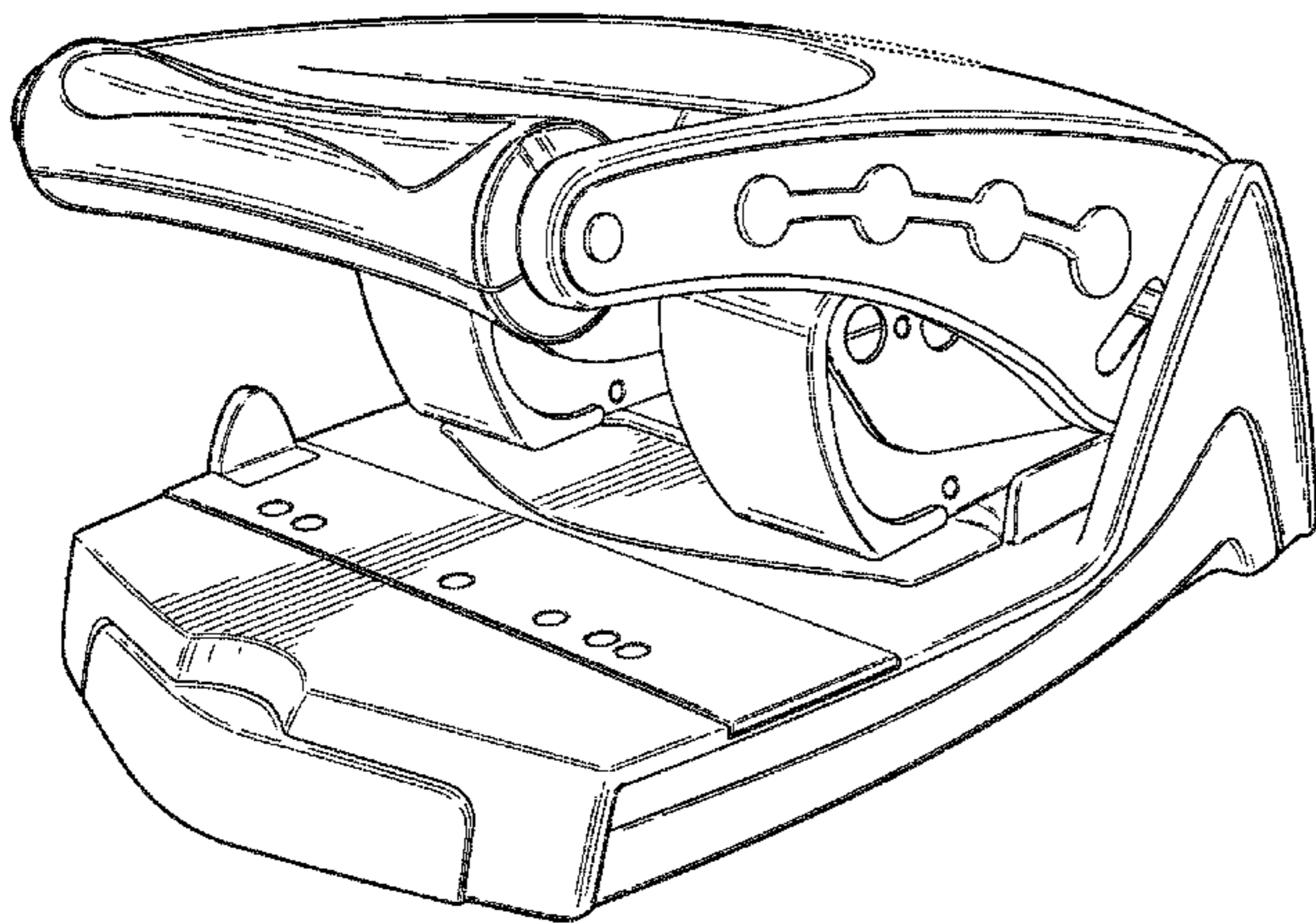
FIG. 5 is a front elevation view thereof;

FIG. 6 is a rear elevational view thereof; and,

FIG. 7 is a top plan view thereof.

Portions of the drawings shown in broken lines are for purposes of illustration only and form no part of the claimed design.

**1 Claim, 7 Drawing Sheets**



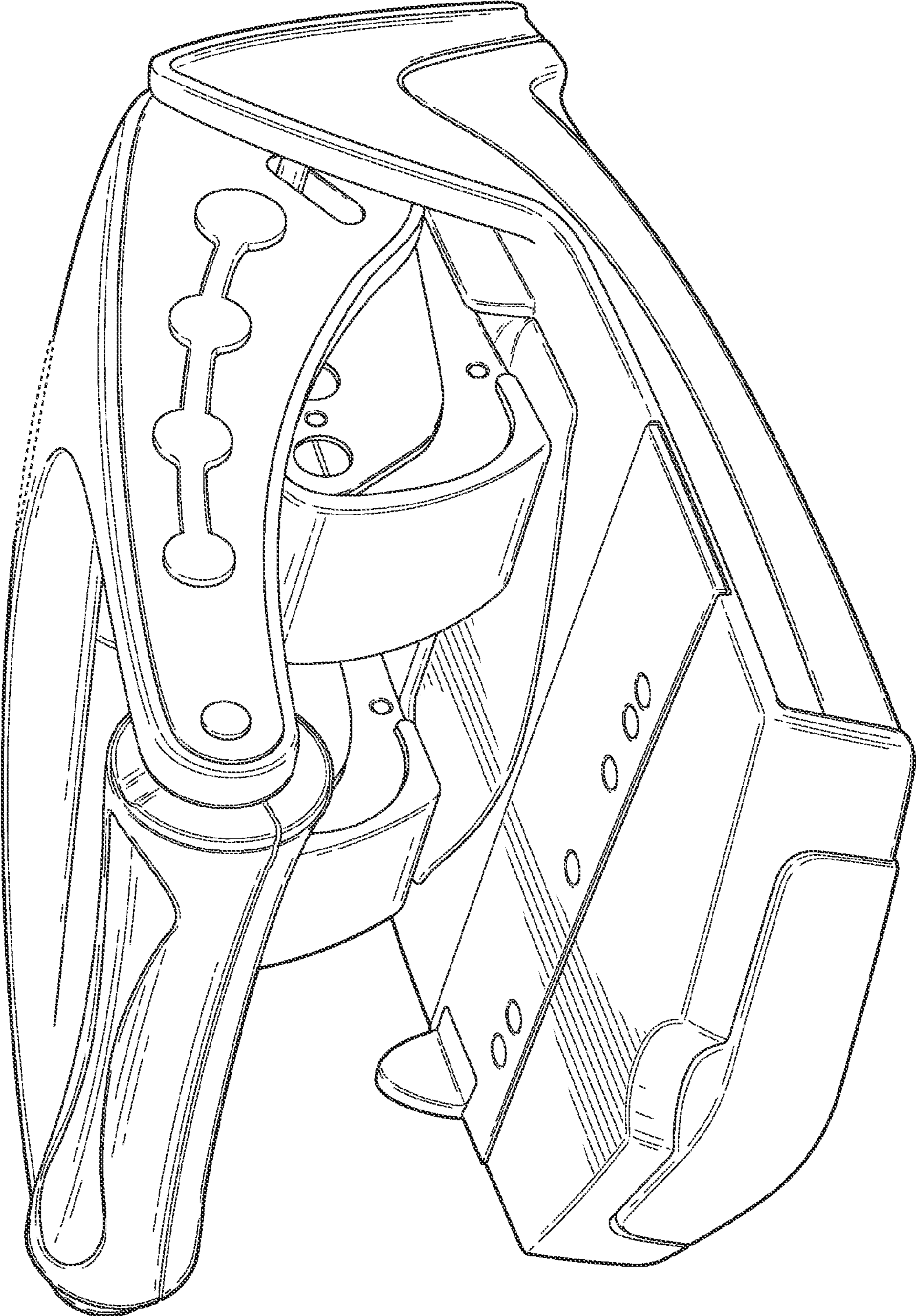


FIG. 1



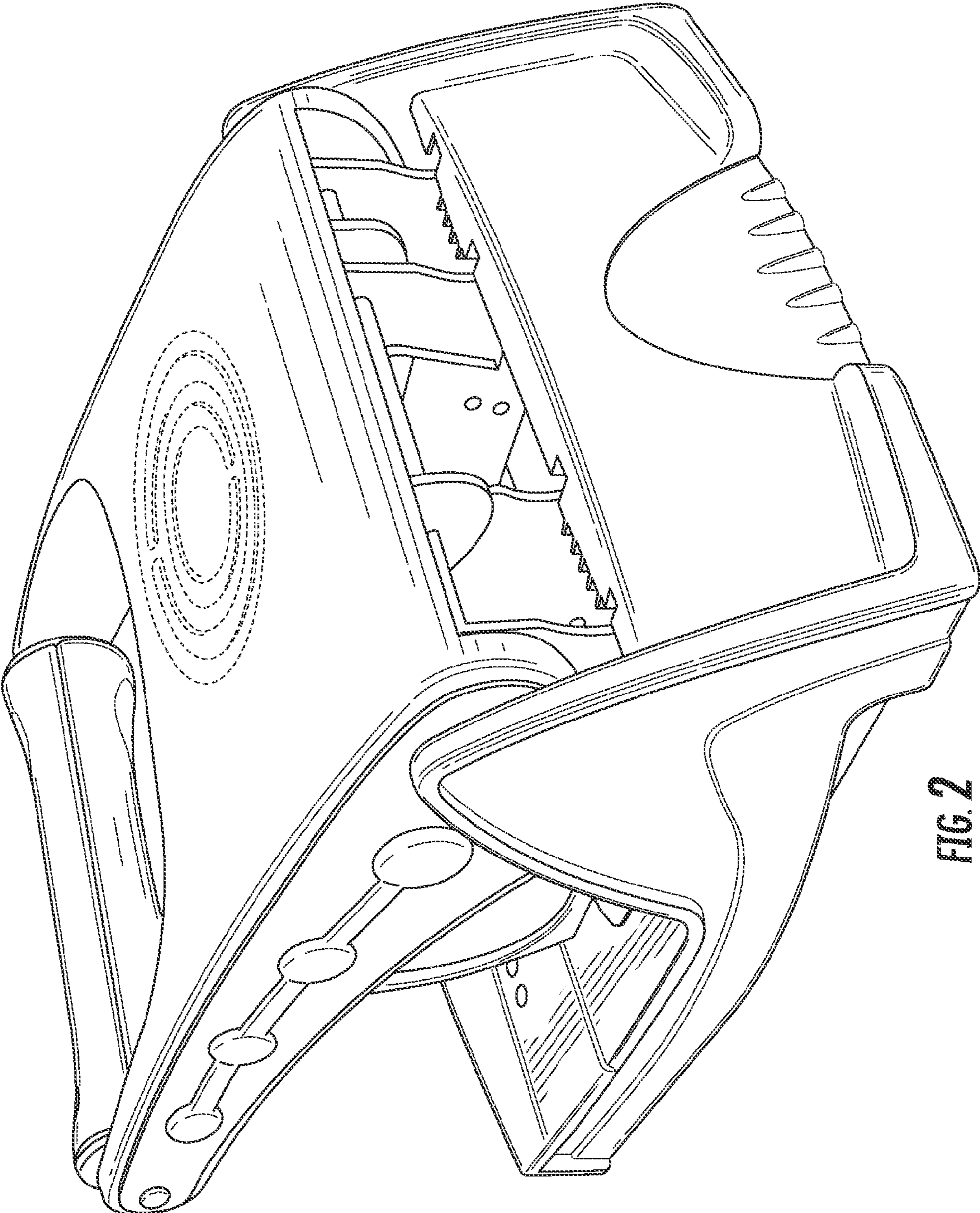


FIG. 2

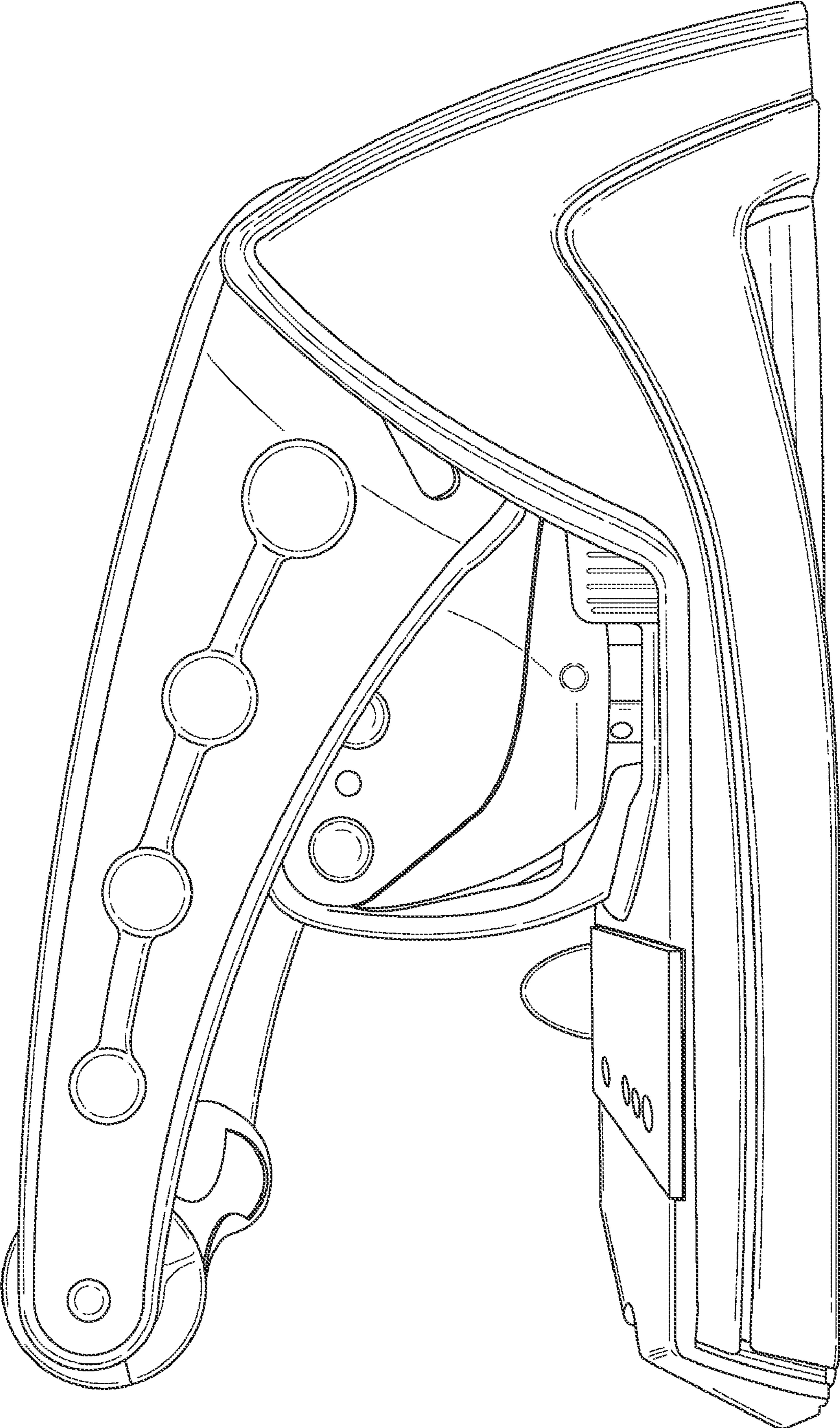


FIG. 3



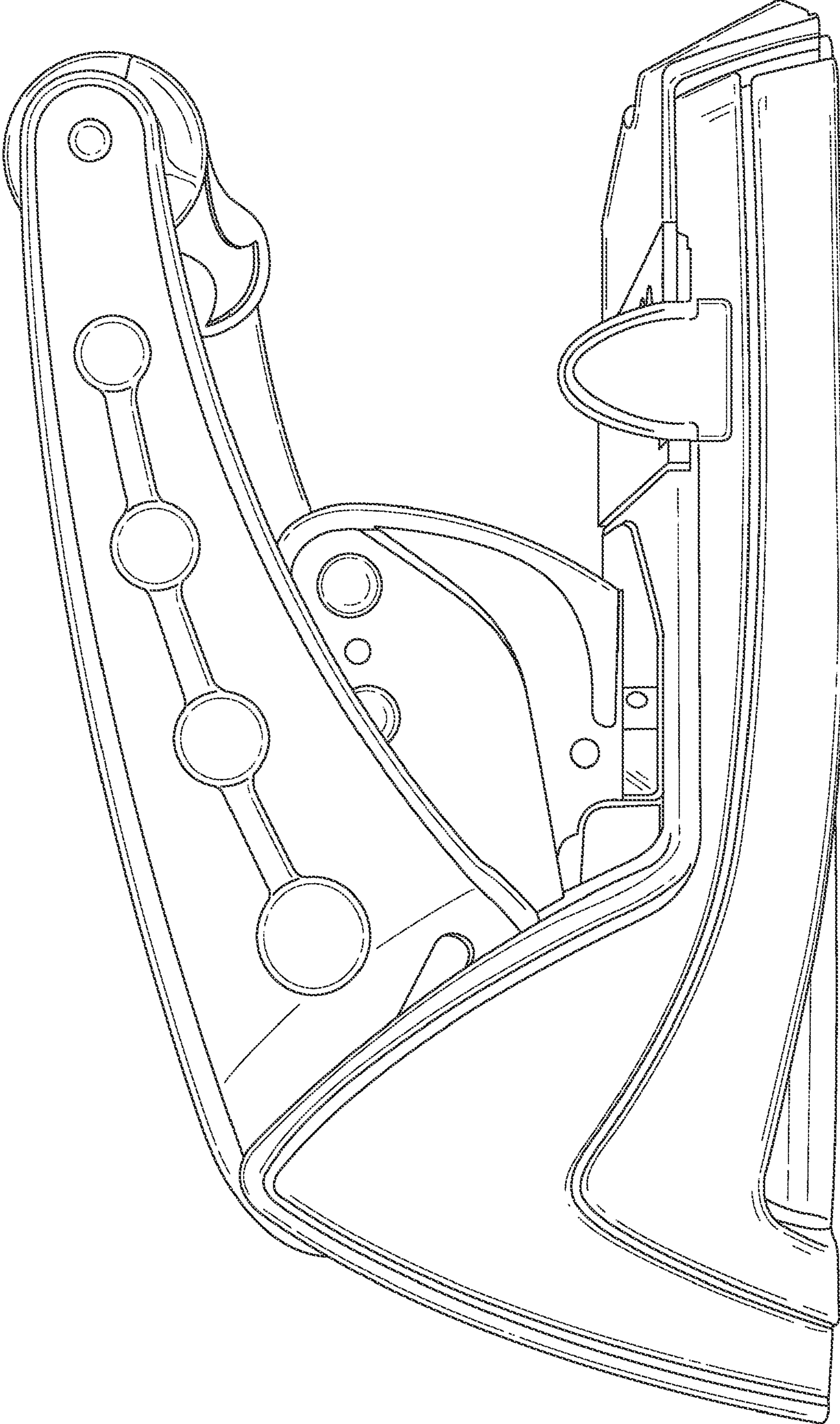


FIG. 4

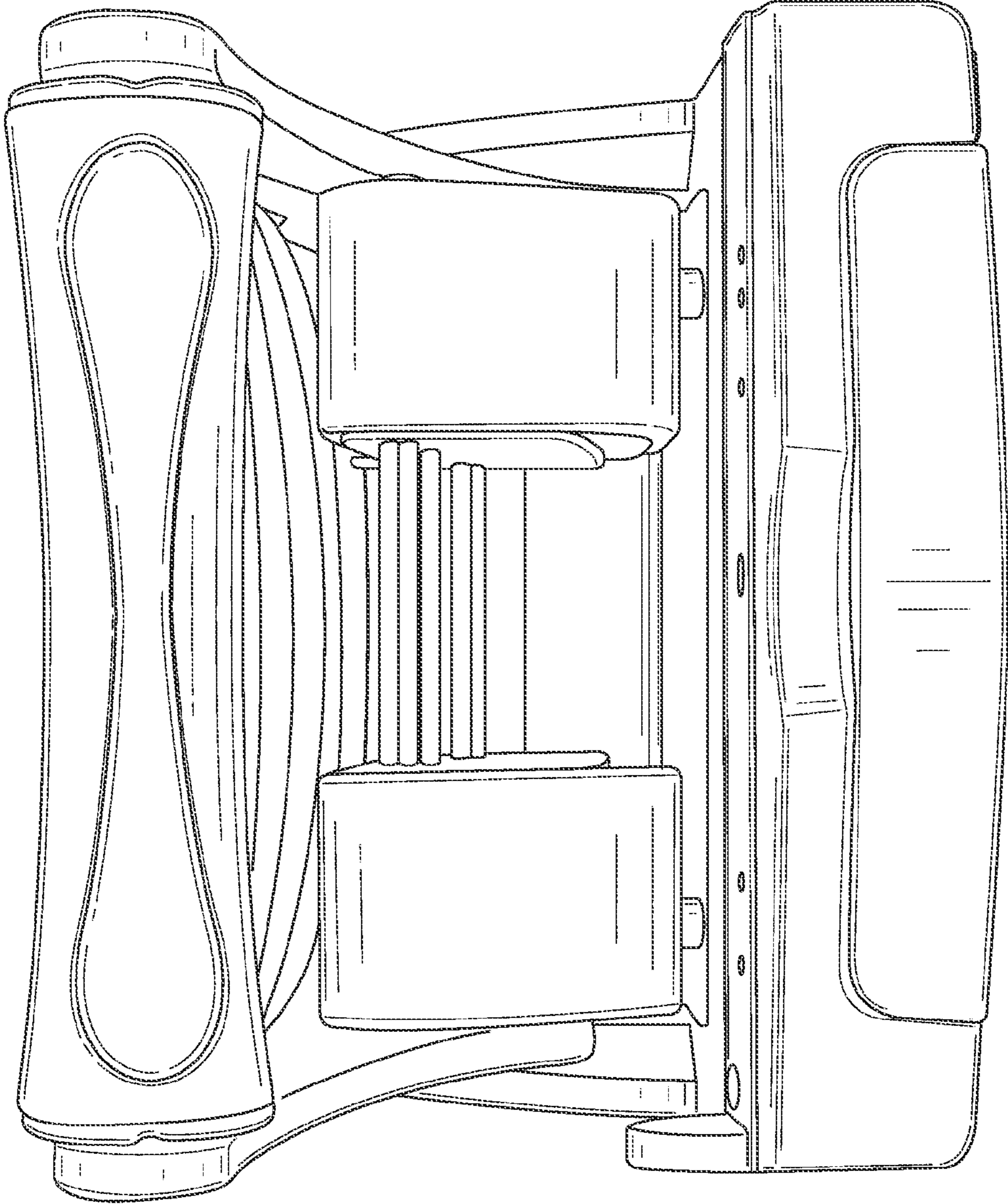


FIG. 5

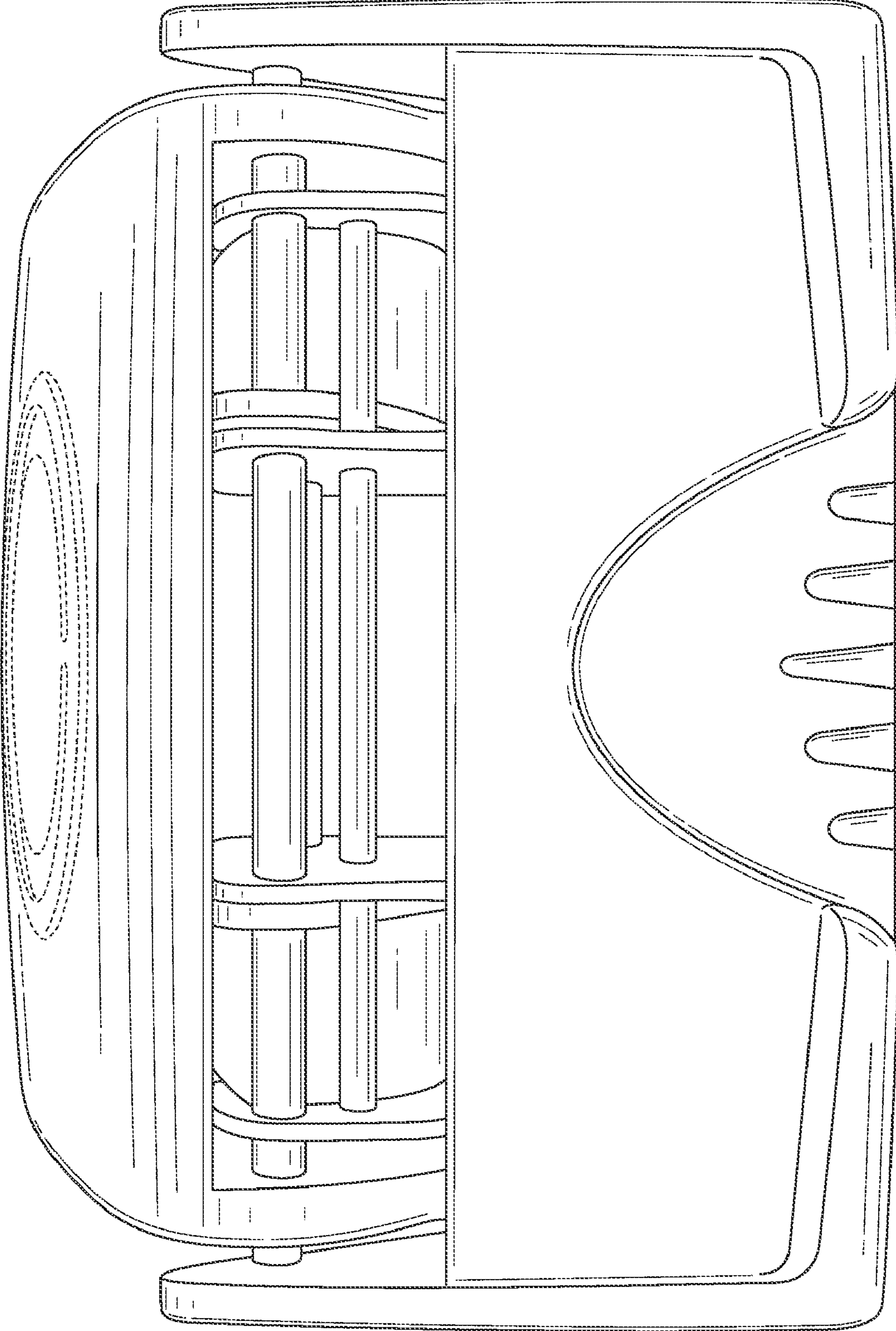


FIG. 6



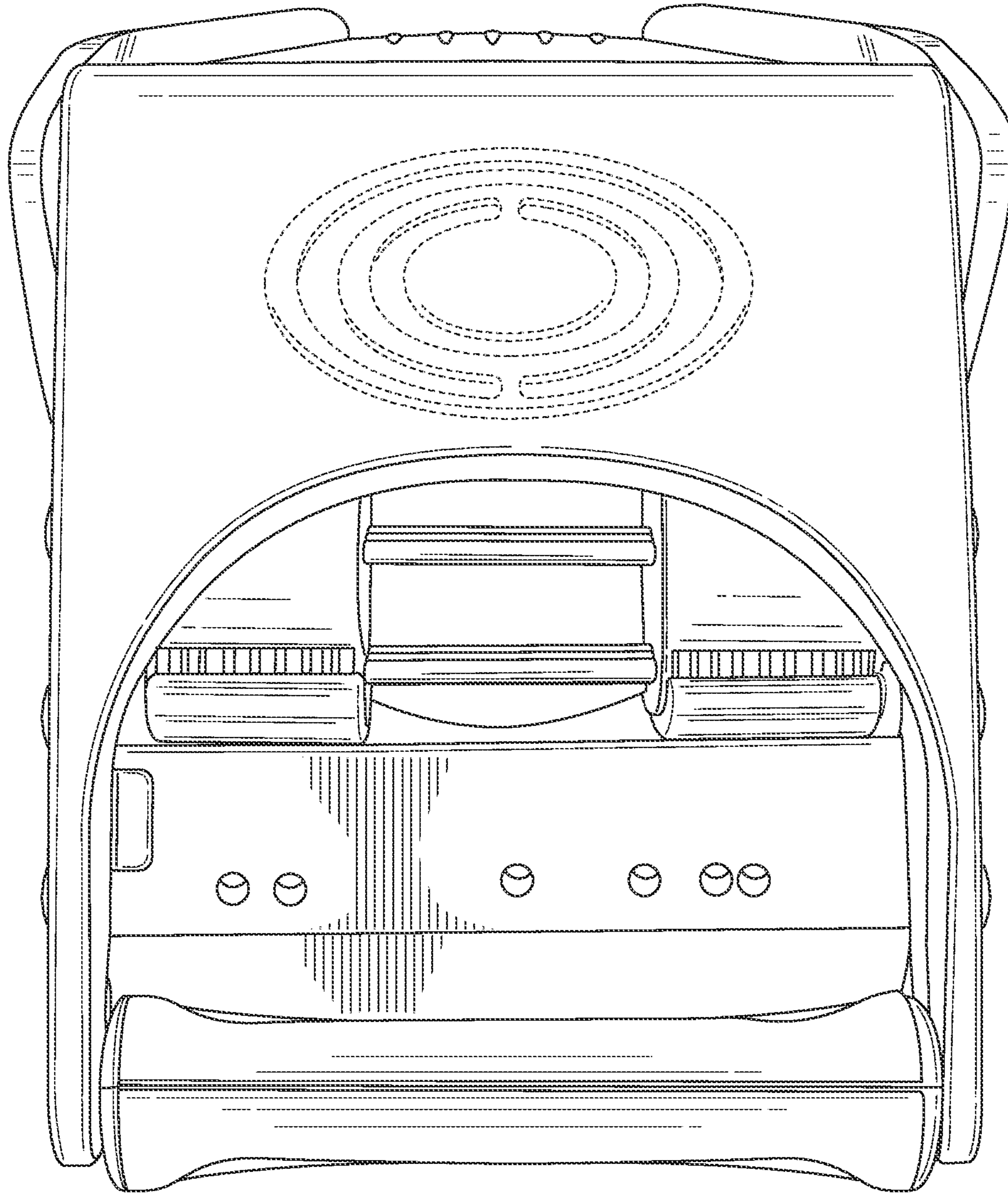


FIG. 7