



US00D610616S

(12) **United States Design Patent**
Li

(10) **Patent No.:** **US D610,616 S**

(45) **Date of Patent:** **** Feb. 23, 2010**

(54) **PEN**

(75) **Inventor:** **Bin Li, Ningbo (CN)**

(73) **Assignee:** **Beifa Group Co., Ltd., Ningbo (CN)**

(**) **Term:** **14 Years**

(21) **Appl. No.:** **29/329,951**

(22) **Filed:** **Dec. 23, 2008**

(30) **Foreign Application Priority Data**

Jun. 23, 2008 (CN) 2008 3 0139607

(51) **LOC (9) Cl.** **19-06**

(52) **U.S. Cl.** **D19/49**

(58) **Field of Classification Search** D19/35,
D19/36, 41-51, 53-57; 24/11 F, 11 P, 11 R;
401/34, 35, 52, 99, 104-109, 192, 195, 196;
D26/37

See application file for complete search history.

(56) **References Cited**

U.S. PATENT DOCUMENTS

D81,248 S *	5/1930	Larsen	D19/49
D145,870 S *	11/1946	Green et al.	D19/49
D147,847 S *	11/1947	Gittleson	D9/504
D260,021 S *	7/1981	Carre	D19/49
D273,876 S *	5/1984	Evenson	D19/75
D324,543 S	3/1992	Poisson		
D326,868 S *	6/1992	Nitta	D19/49
D332,963 S	2/1993	Anavil		
D359,983 S *	7/1995	Rosenbaum	D19/49
D363,084 S *	10/1995	Hollington	D19/51
5,535,487 A *	7/1996	Kageyama et al.	24/11 F

D404,428 S *	1/1999	Takahashi	D19/49
D464,374 S *	10/2002	Reichmann	D19/43
6,599,045 B1 *	7/2003	Kolb	401/52
6,626,600 B1 *	9/2003	Brand et al.	401/202
D502,736 S	3/2005	Chen		
D545,367 S *	6/2007	Ternovits	D19/51
D546,884 S *	7/2007	Ternovits	D19/51
D548,789 S *	8/2007	Ternovits	D19/51
D593,604 S	6/2009	Yu		
D593,605 S *	6/2009	Yu et al.	19/49

FOREIGN PATENT DOCUMENTS

EM	000935861-0005	*	5/2008
EM	001144224-0004	*	5/2009

* cited by examiner

Primary Examiner—Elizabeth A Albert

(74) *Attorney, Agent, or Firm*—Christensen O'Connor Johnson Kindness PLLC

(57) **CLAIM**

The ornamental design for a pen, as shown and described.

DESCRIPTION

FIG. 1 is an upper front right perspective view of a pen showing my new design;

FIG. 2 is a left side elevation view thereof;

FIG. 3 is an enlarged top plan view thereof;

FIG. 4 is a front elevation view thereof;

FIG. 5 is a right side elevation view thereof;

FIG. 6 is an enlarged bottom plan view thereof; and,

FIG. 7 is a rear elevation view thereof.

1 Claim, 3 Drawing Sheets

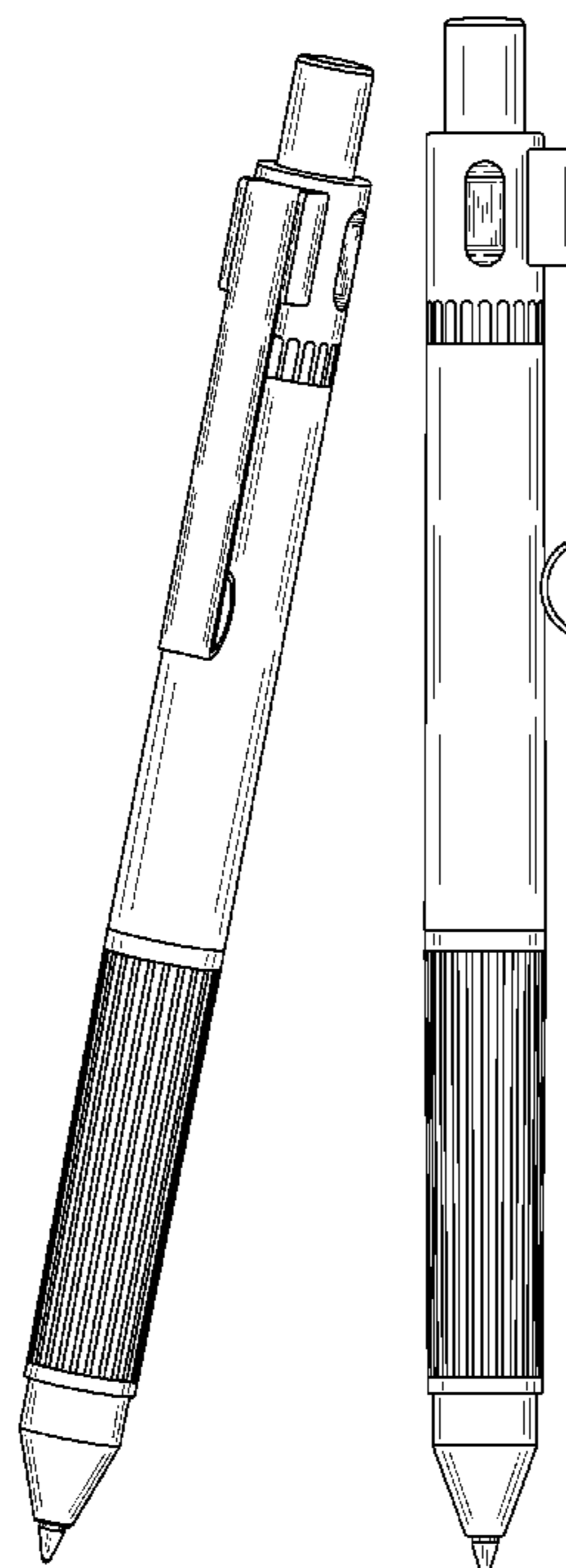


Fig.1.

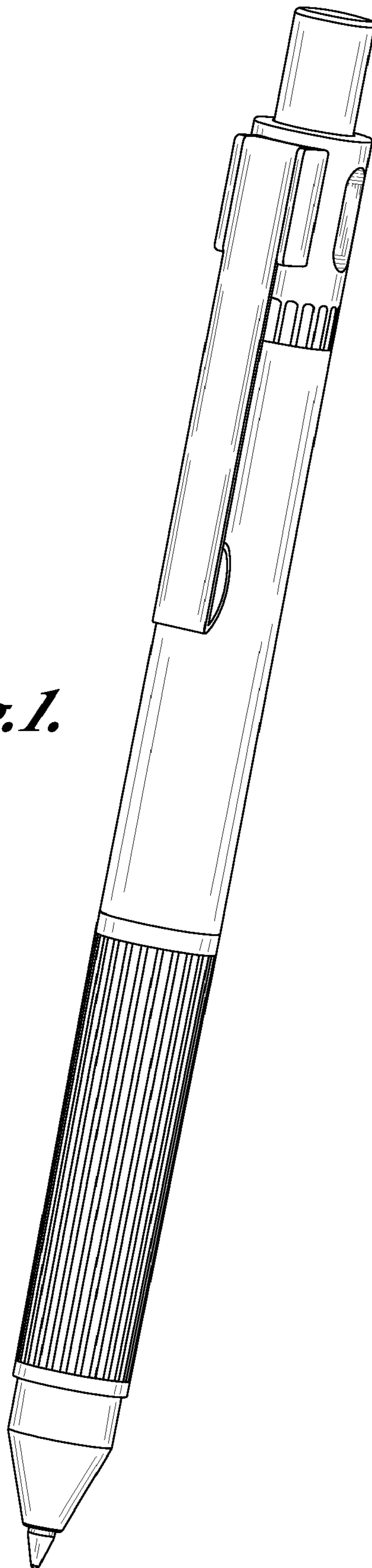


Fig.2.

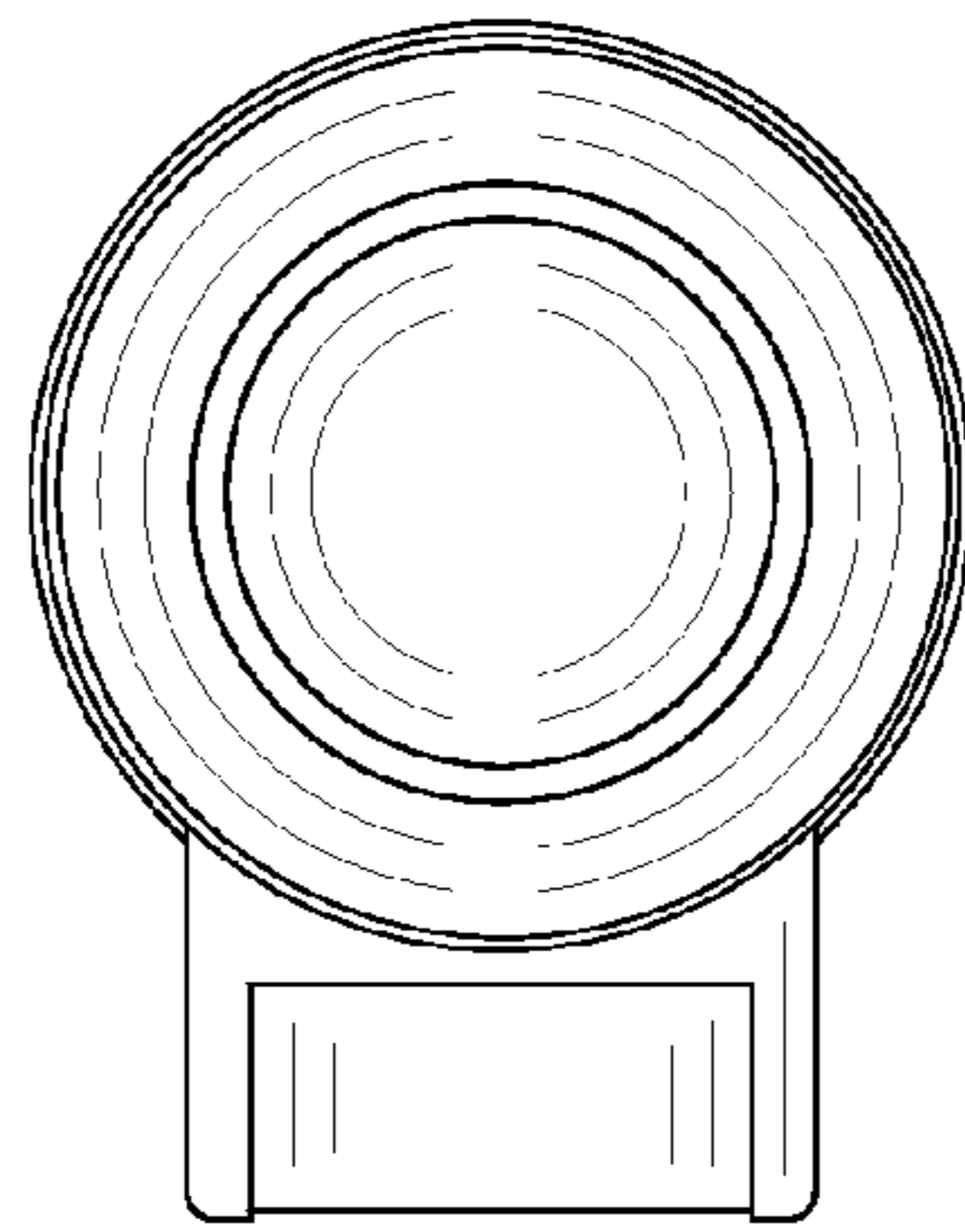
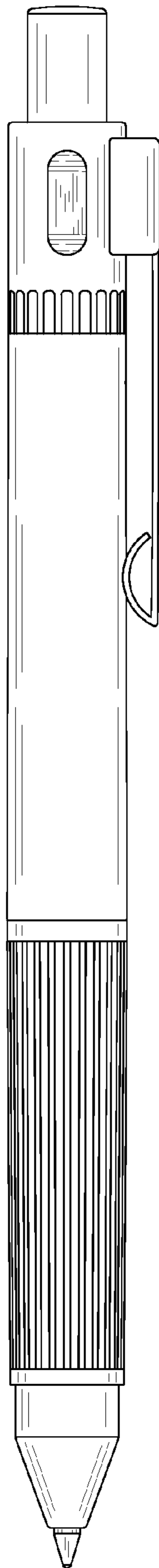


Fig.3.

Fig.4.

