



US00D610609S

(12) **United States Design Patent**
Esplin

(10) **Patent No.:** **US D610,609 S**

(45) **Date of Patent:** **** Feb. 23, 2010**

(54) **SOLID INK STICK FOR AN INK JET PRINTER**

(75) Inventor: **Ernest I. Esplin**, Sheridan, OR (US)

(73) Assignee: **Xerox Corporation**, Norwalk, CT (US)

(**) Term: **14 Years**

(21) Appl. No.: **29/336,497**

(22) Filed: **May 5, 2009**

Related U.S. Application Data

(63) Continuation-in-part of application No. 11/602,710, filed on Nov. 21, 2006.

(51) **LOC (9) Cl.** **18-02**

(52) **U.S. Cl.** **D18/56**

(58) **Field of Classification Search** D18/18,
D18/50, 56-59, 99; 347/86-87

See application file for complete search history.

(56) **References Cited**

U.S. PATENT DOCUMENTS

D379,639 S *	6/1997	Gilbert	D18/56
6,722,764 B2 *	4/2004	Jones et al.	347/88
D494,620 S *	8/2004	Levin et al.	D18/56
D500,785 S *	1/2005	Jones et al.	D18/56
D505,974 S *	6/2005	Jones et al.	D18/56
D519,553 S *	4/2006	Jones	D18/56
D521,547 S *	5/2006	Jones	D18/56
D530,366 S *	10/2006	Korn et al.	D18/56
D531,210 S *	10/2006	Jones	D18/56
D533,900 S *	12/2006	Jones et al.	D18/56
D534,949 S *	1/2007	Korn et al.	D18/56
D535,327 S *	1/2007	Korn et al.	D18/56
D535,329 S *	1/2007	Jones et al.	D18/56

D535,689 S *	1/2007	Jones et al.	D18/56
D537,116 S *	2/2007	Jones et al.	D18/56
D576,205 S *	9/2008	Aznoe et al.	D18/56
2008/0117264 A1	5/2008	Fairchild et al.		
2008/0117265 A1	5/2008	Esplin et al.		
2008/0117266 A1	5/2008	Esplin et al.		
2008/0117267 A1	5/2008	Fairchild et al.		
2008/0136881 A1	6/2008	Fairchild et al.		
2008/0136882 A1	6/2008	Fairchild et al.		
2008/0218572 A1	9/2008	Fairchild et al.		

* cited by examiner

Primary Examiner—Philip S Hyder

Assistant Examiner—Susan E Krakower

(74) *Attorney, Agent, or Firm*—Tallam I. Nguti

(57) **CLAIM**

The ornamental design for a solid ink stick for an ink jet printer, as shown and described.

DESCRIPTION

FIG. 1 is a perspective view of an ink stick for phase change ink jet printer in accordance with the present invention;

FIG. 2 is a front view thereof;

FIG. 3 is a right side view thereof;

FIG. 4 is a rear view thereof;

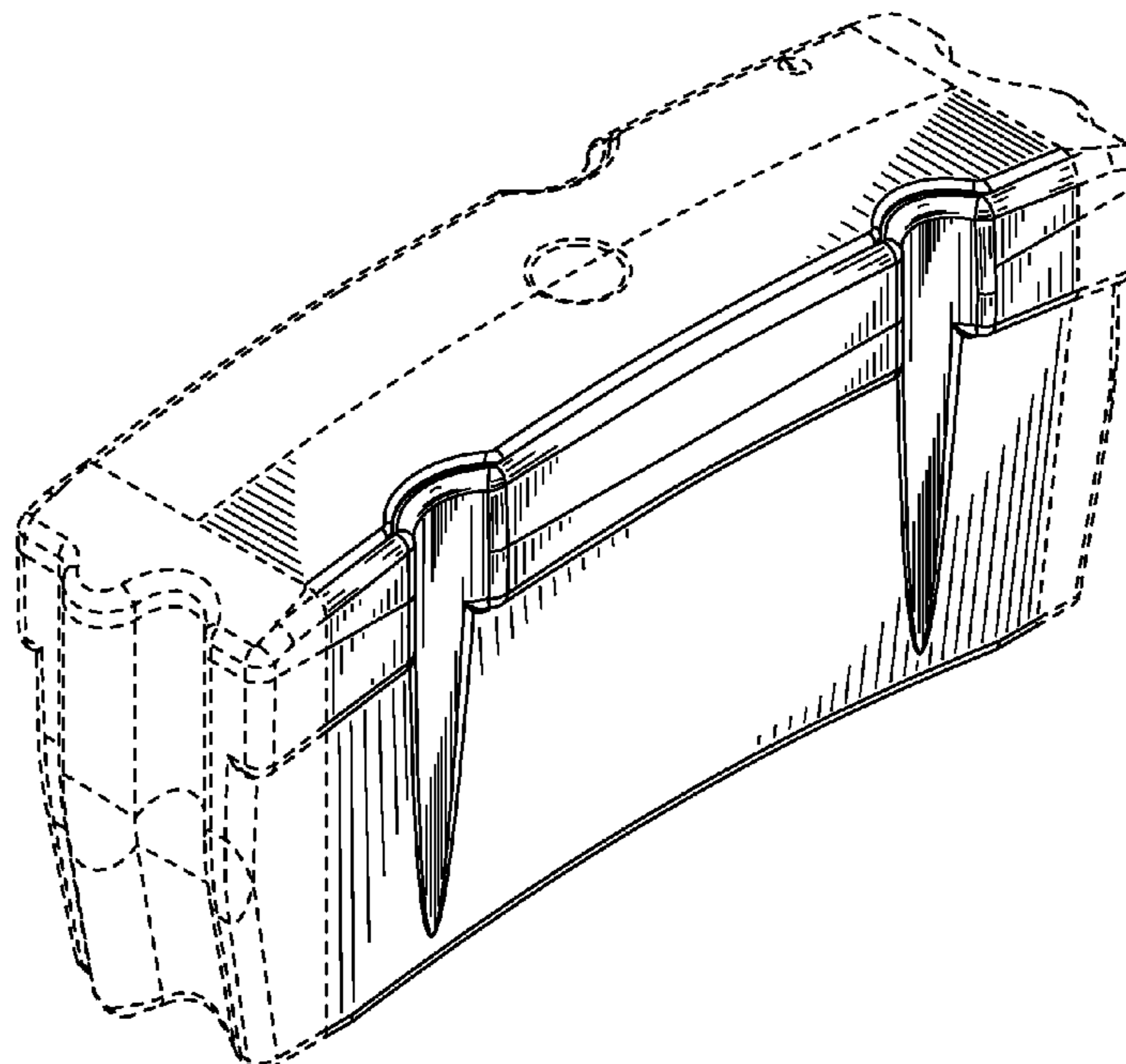
FIG. 5 is a left side view thereof;

FIG. 6 is a top plan view thereof; and,

FIG. 7 is a bottom plan view thereof.

The broken lines immediately adjacent to the claimed areas represent the boundaries of the design. The broken lines showing portions of the ink stick illustrate environmental subject matter which forms no part of the claimed design.

1 Claim, 4 Drawing Sheets



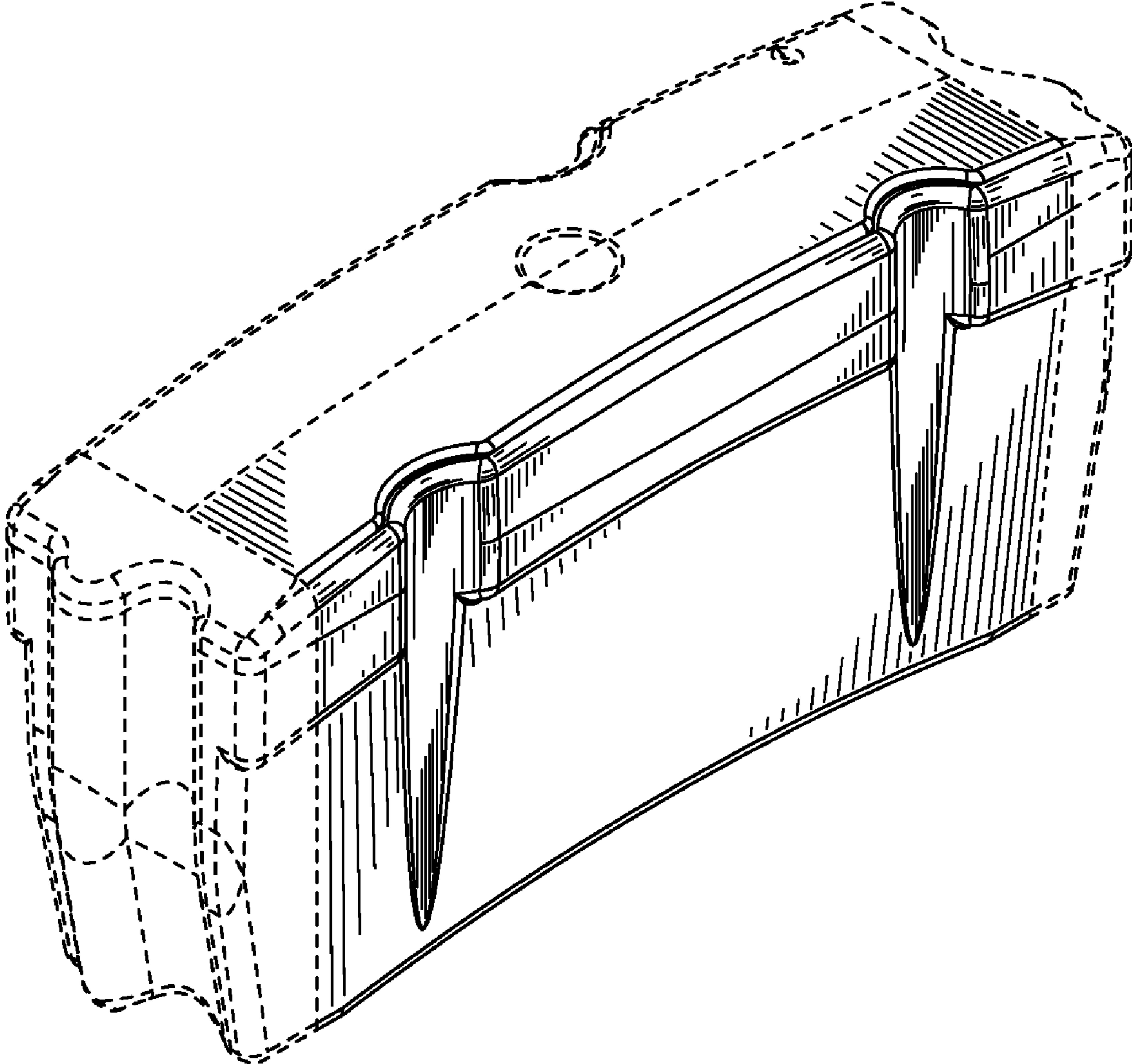


FIG.1

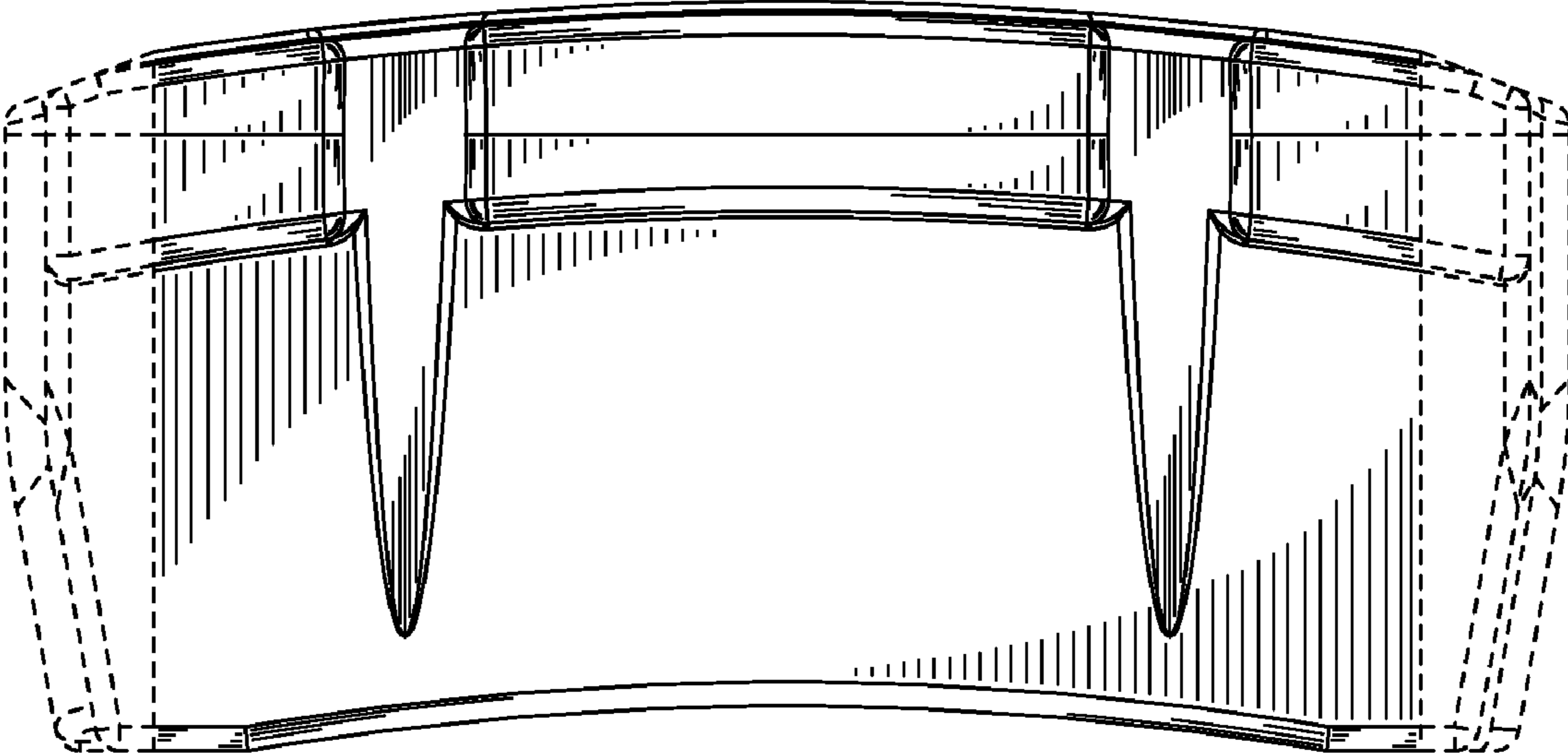


FIG. 2

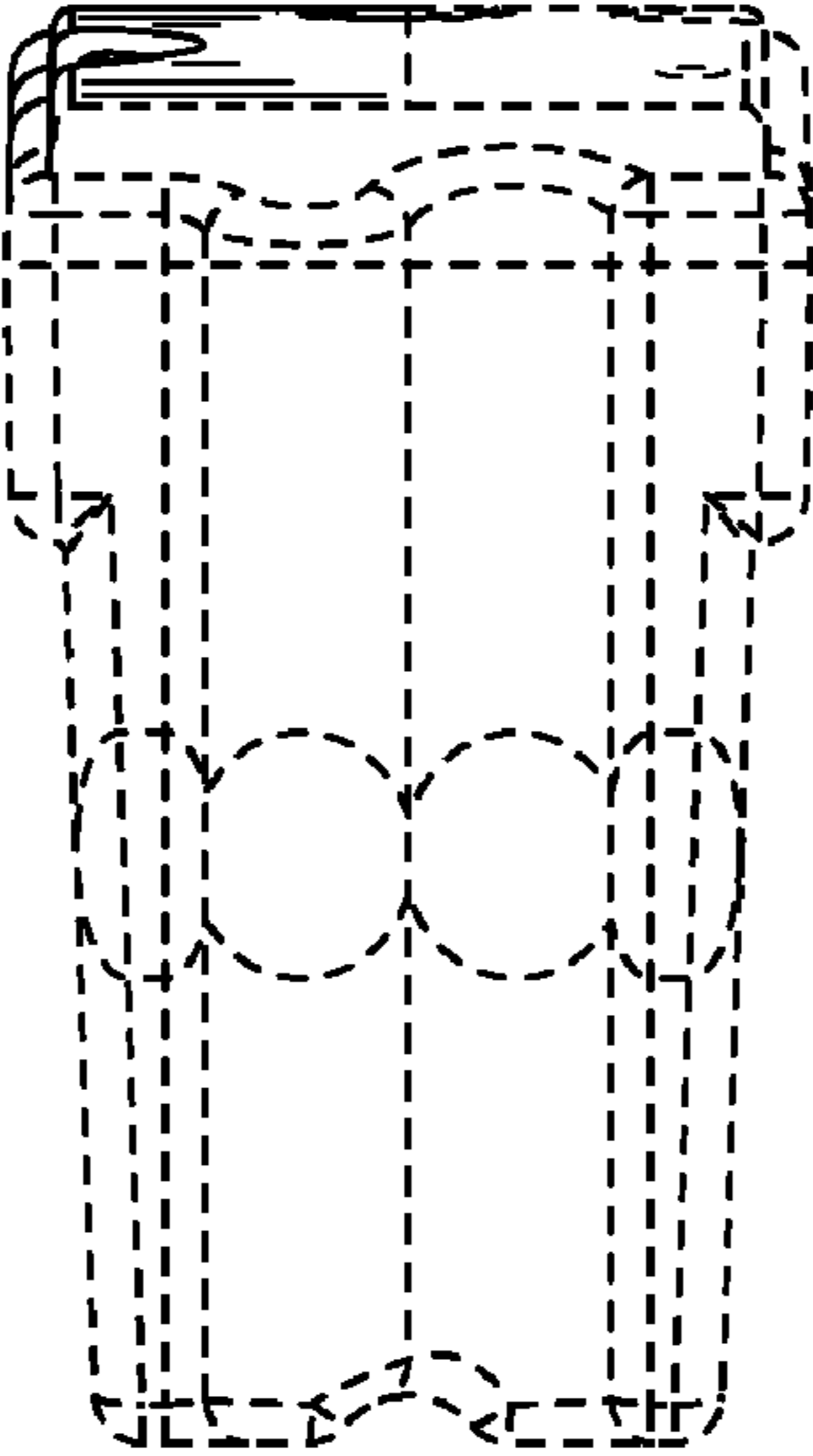


FIG. 3

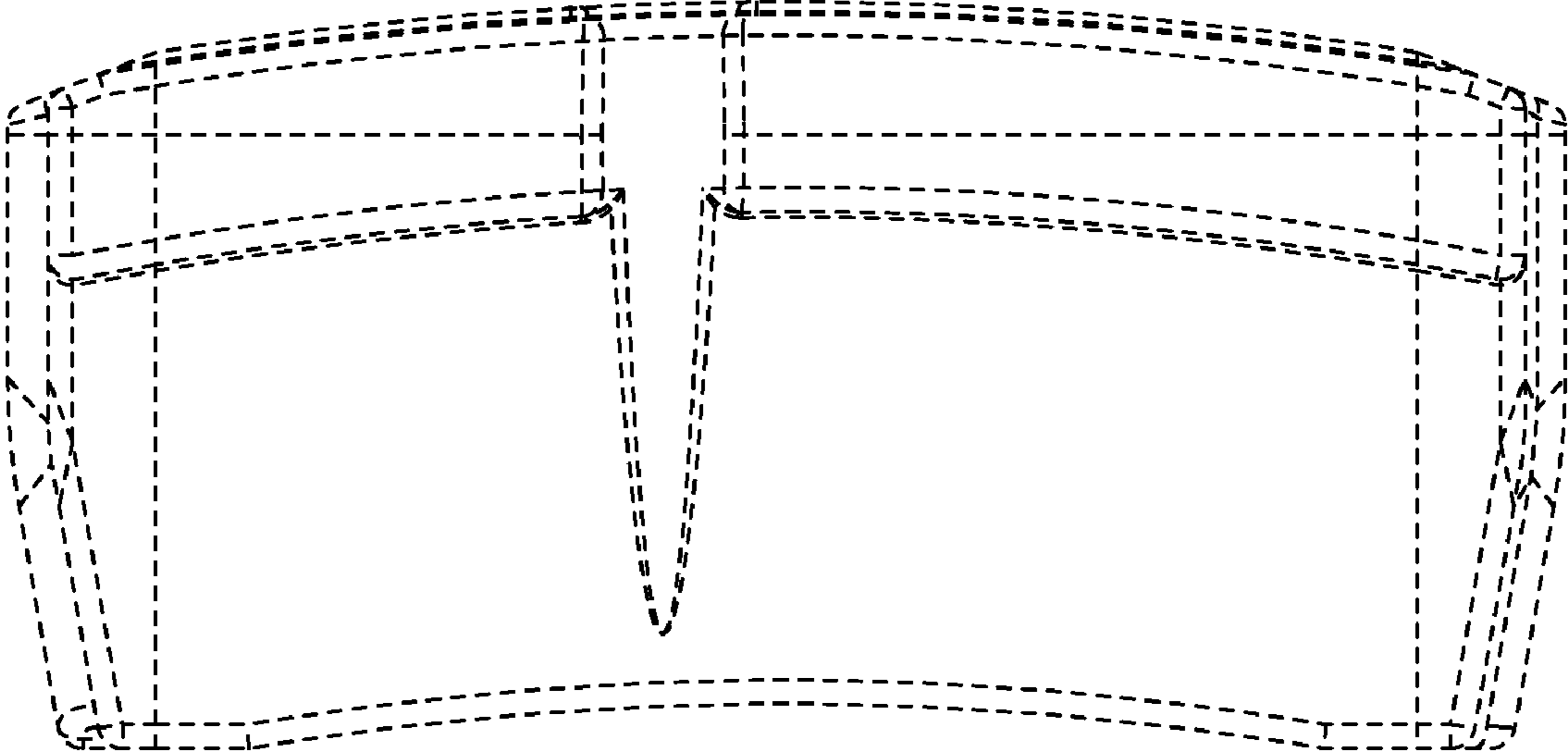


FIG. 4

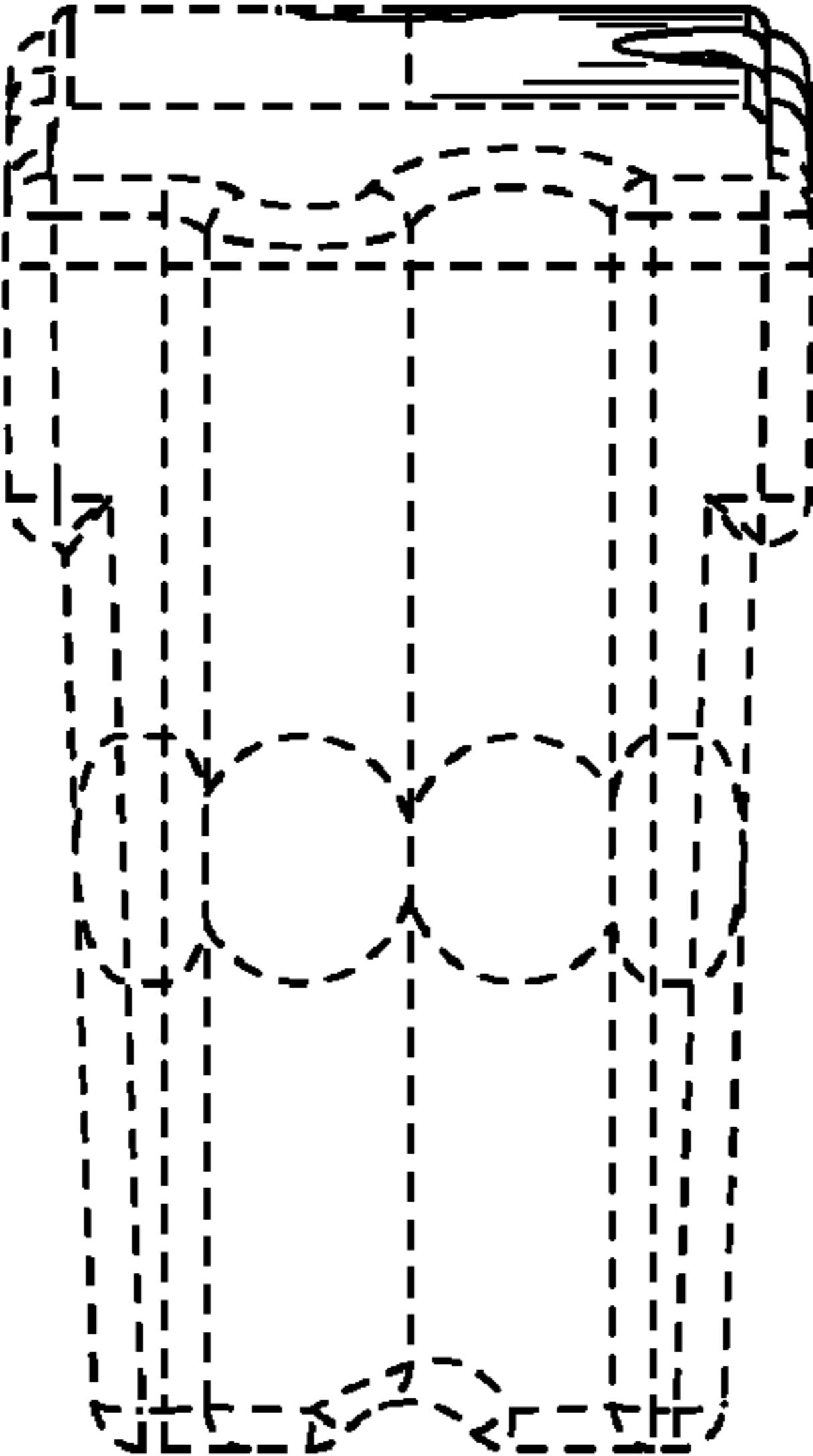


FIG. 5

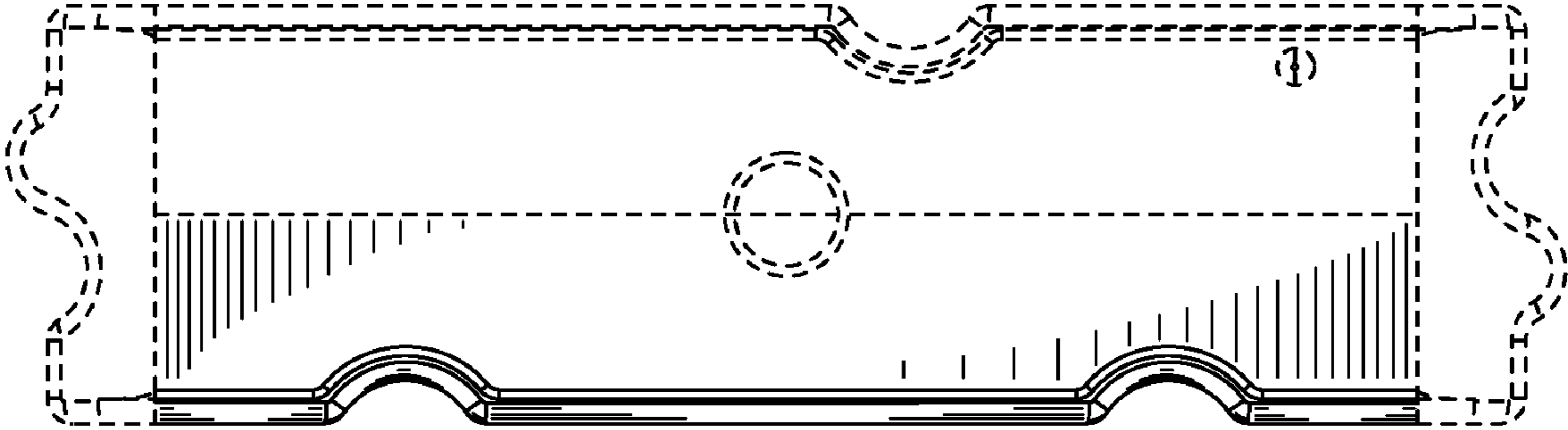


FIG.6

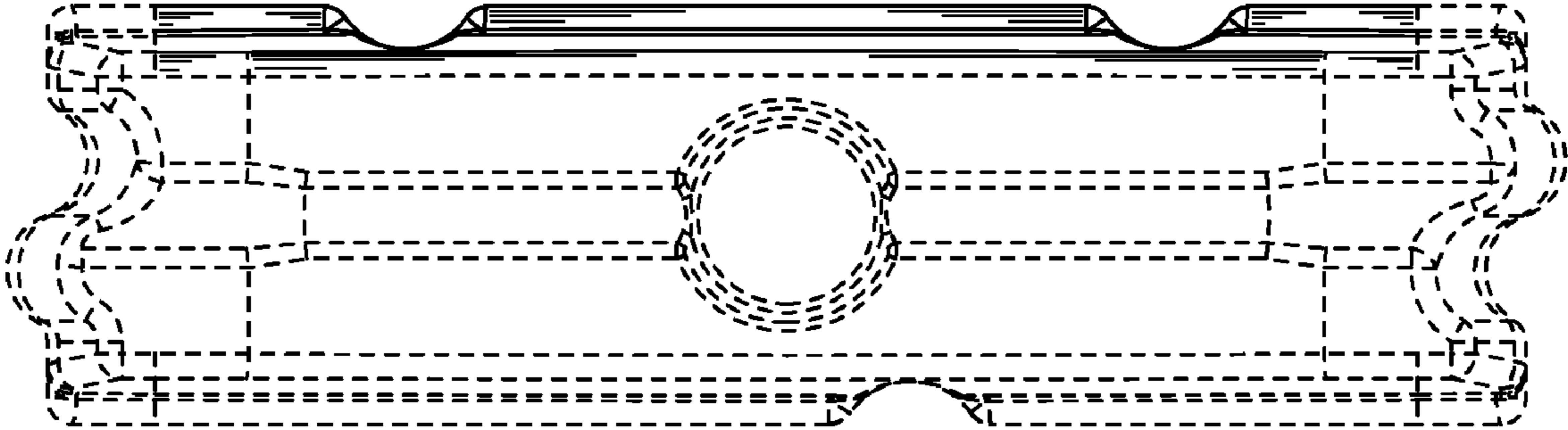


FIG.7