



US00D610608S

(12) **United States Design Patent**
Esplin

(10) **Patent No.:** **US D610,608 S**

(45) **Date of Patent:** **** Feb. 23, 2010**

(54) **SOLID INK STICK FOR AN INK JET PRINTER**

(75) Inventor: **Ernest I. Esplin**, Sheridan, OR (US)

(73) Assignee: **Xerox Corporation**, Norwalk, CT (US)

(**) Term: **14 Years**

(21) Appl. No.: **29/336,489**

(22) Filed: **May 5, 2009**

| | | | | |
|-----------------|---------|------------------|-------|--------|
| D533,900 S * | 12/2006 | Jones et al. | | D18/56 |
| D534,950 S * | 1/2007 | Jones et al. | | D18/56 |
| D535,327 S * | 1/2007 | Korn et al. | | D18/56 |
| D535,689 S * | 1/2007 | Jones et al. | | D18/56 |
| D537,116 S * | 2/2007 | Jones et al. | | D18/56 |
| D576,205 S * | 9/2008 | Aznoe et al. | | D18/56 |
| 2008/0117264 A1 | 5/2008 | Fairchild et al. | | |
| 2008/0117265 A1 | 5/2008 | Esplin et al. | | |
| 2008/0117266 A1 | 5/2008 | Esplin et al. | | |
| 2008/0117267 A1 | 5/2008 | Fairchild et al. | | |
| 2008/0136881 A1 | 6/2008 | Fairchild et al. | | |
| 2008/0136882 A1 | 6/2008 | Fairchild et al. | | |
| 2008/0218572 A1 | 9/2008 | Fairchild et al. | | |

* cited by examiner

Related U.S. Application Data

(63) Continuation-in-part of application No. 11/602,710, filed on Nov. 21, 2006.

Primary Examiner—Philip S Hyder

Assistant Examiner—Susan E Krakower

(74) *Attorney, Agent, or Firm*—Tallam I. Nguti

(51) **LOC (9) Cl.** **18-02**

(52) **U.S. Cl.** **D18/56**

(58) **Field of Classification Search** D18/18,
D18/50, 56–59, 99; 347/86–87
See application file for complete search history.

(57) **CLAIM**

The ornamental design for a solid ink stick for an ink jet printer, as shown and described.

(56) **References Cited**

DESCRIPTION

U.S. PATENT DOCUMENTS

| | | | | |
|----------------|---------|--------------|-------|--------|
| D379,639 S * | 6/1997 | Gilbert | | D18/56 |
| D392,651 S * | 3/1998 | Ishii | | D18/56 |
| D482,721 S * | 11/2003 | Jones | | D18/56 |
| D482,722 S * | 11/2003 | Jones | | D18/56 |
| 6,722,764 B2 * | 4/2004 | Jones et al. | | 347/88 |
| D494,620 S * | 8/2004 | Levin et al. | | D18/56 |
| D495,734 S * | 9/2004 | Levin et al. | | D18/56 |
| D495,735 S * | 9/2004 | Levin et al. | | D18/56 |
| D500,785 S * | 1/2005 | Jones et al. | | D18/56 |
| D521,547 S * | 5/2006 | Jones | | D18/56 |
| D521,552 S * | 5/2006 | Jones et al. | | D18/56 |
| D529,085 S * | 9/2006 | Jones et al. | | D18/56 |
| D530,366 S * | 10/2006 | Korn et al. | | D18/56 |
| D531,210 S * | 10/2006 | Jones | | D18/56 |

FIG. 1 is a perspective view of a solid ink stick for an ink jet printer in accordance with the present invention;

FIG. 2 is a front view thereof;

FIG. 3 is a right side view thereof;

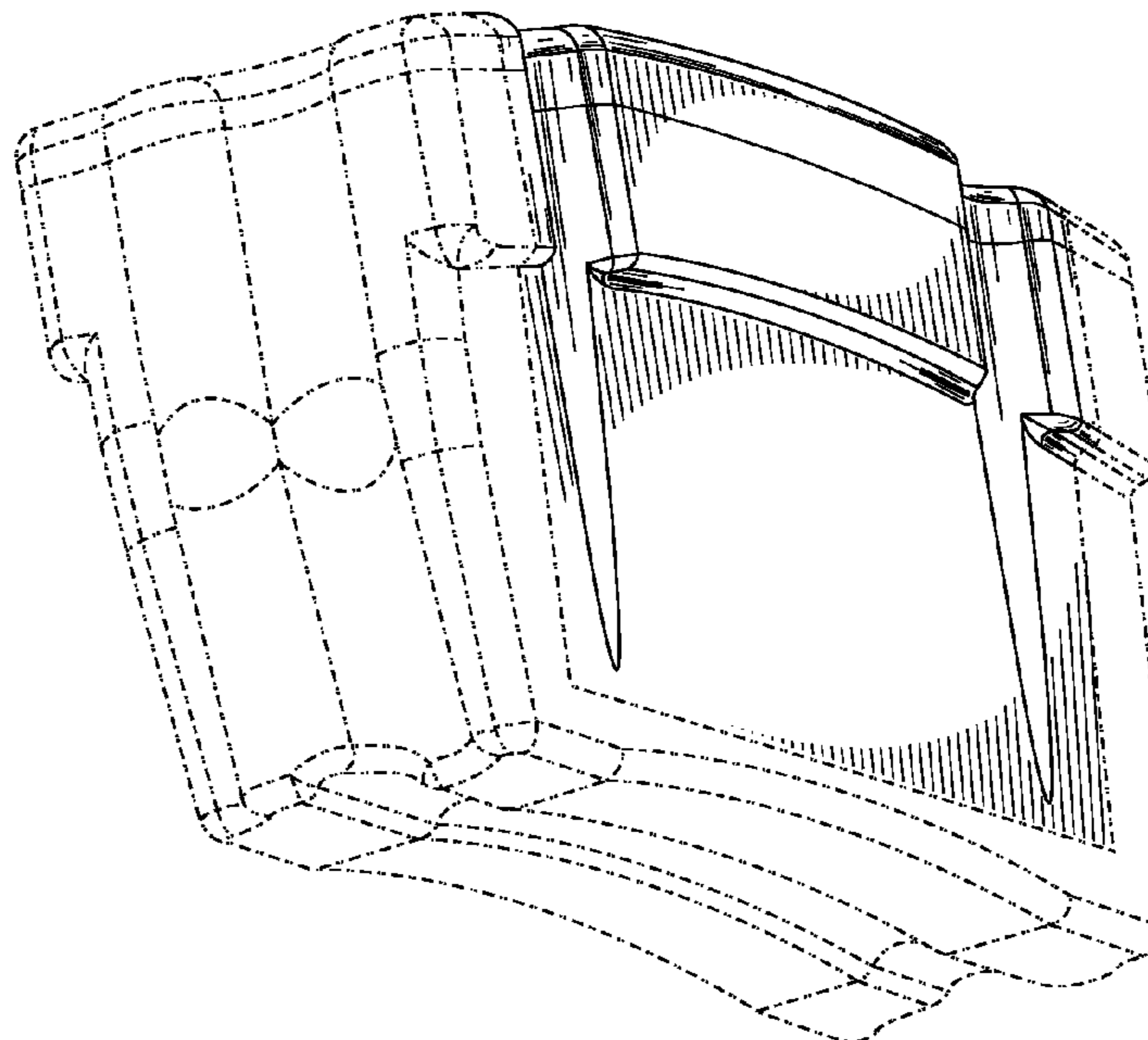
FIG. 4 is a rear view thereof;

FIG. 5 is a left side view thereof; and,

FIG. 6 is a top plan view thereof.

The broken lines immediately adjacent to the claimed areas represent the boundaries of the design. The broken lines showing portions of the ink stick illustrate environmental subject matter which forms no part of the claimed design.

1 Claim, 4 Drawing Sheets



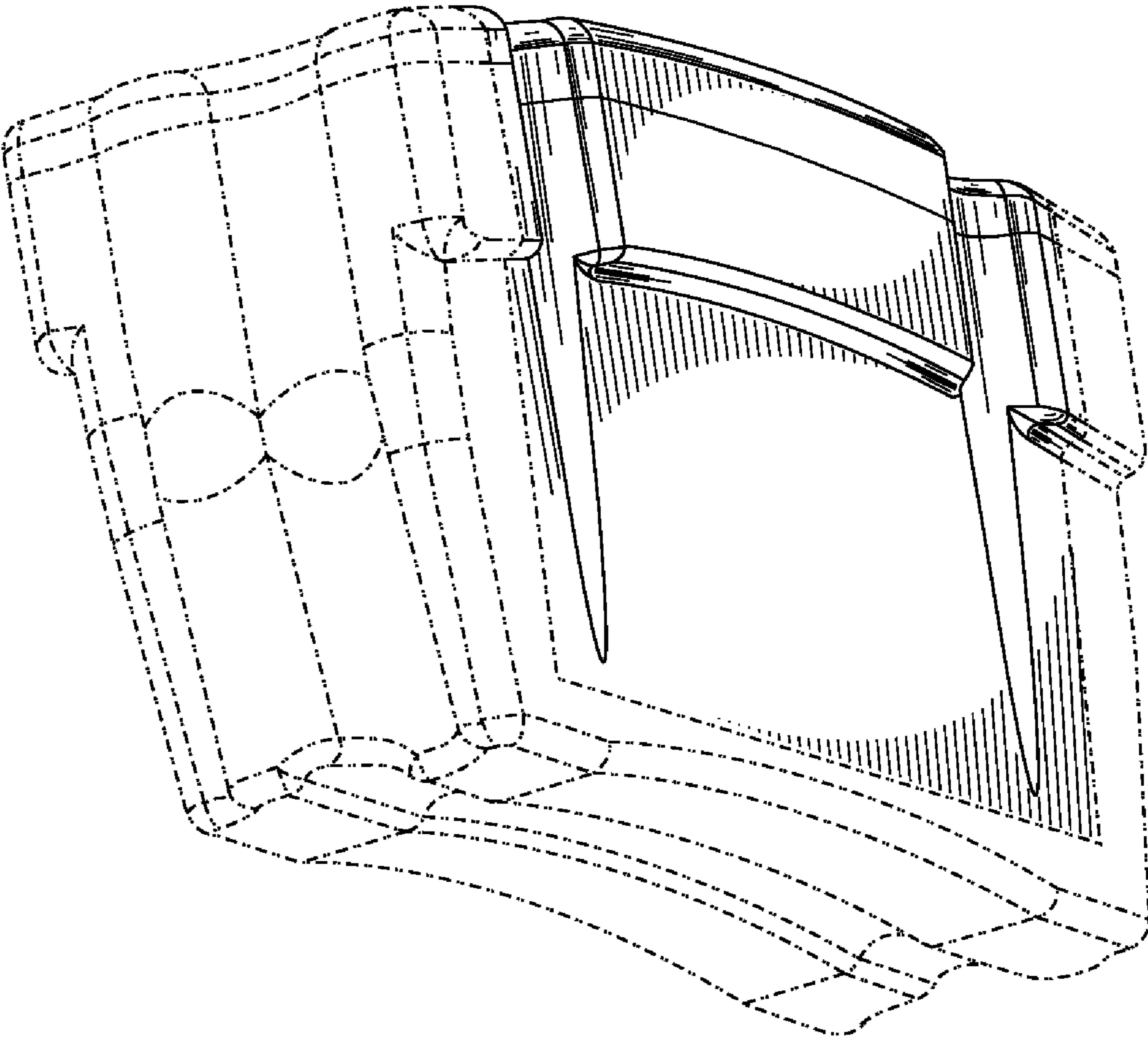


FIG. 1

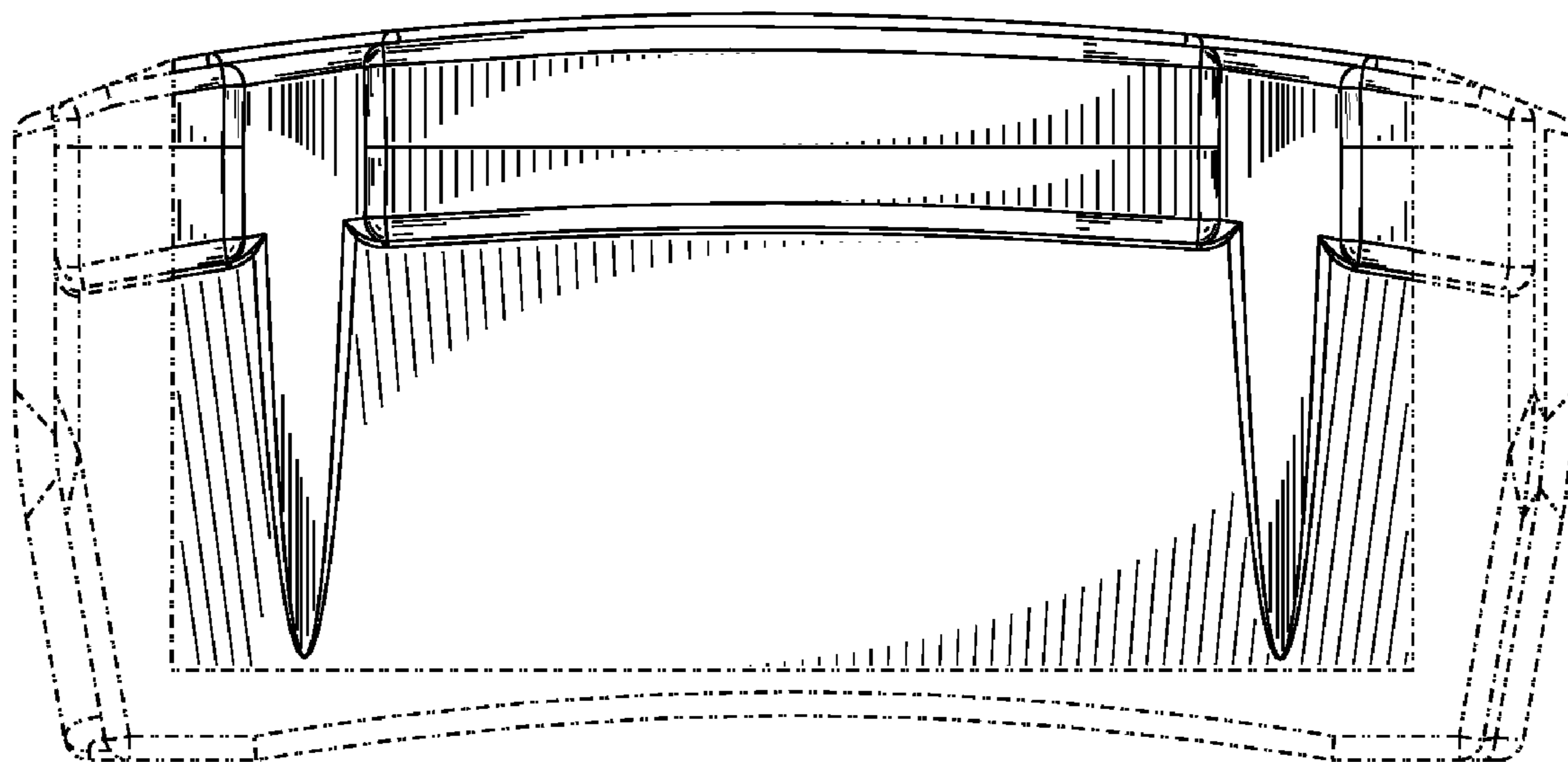


FIG. 2

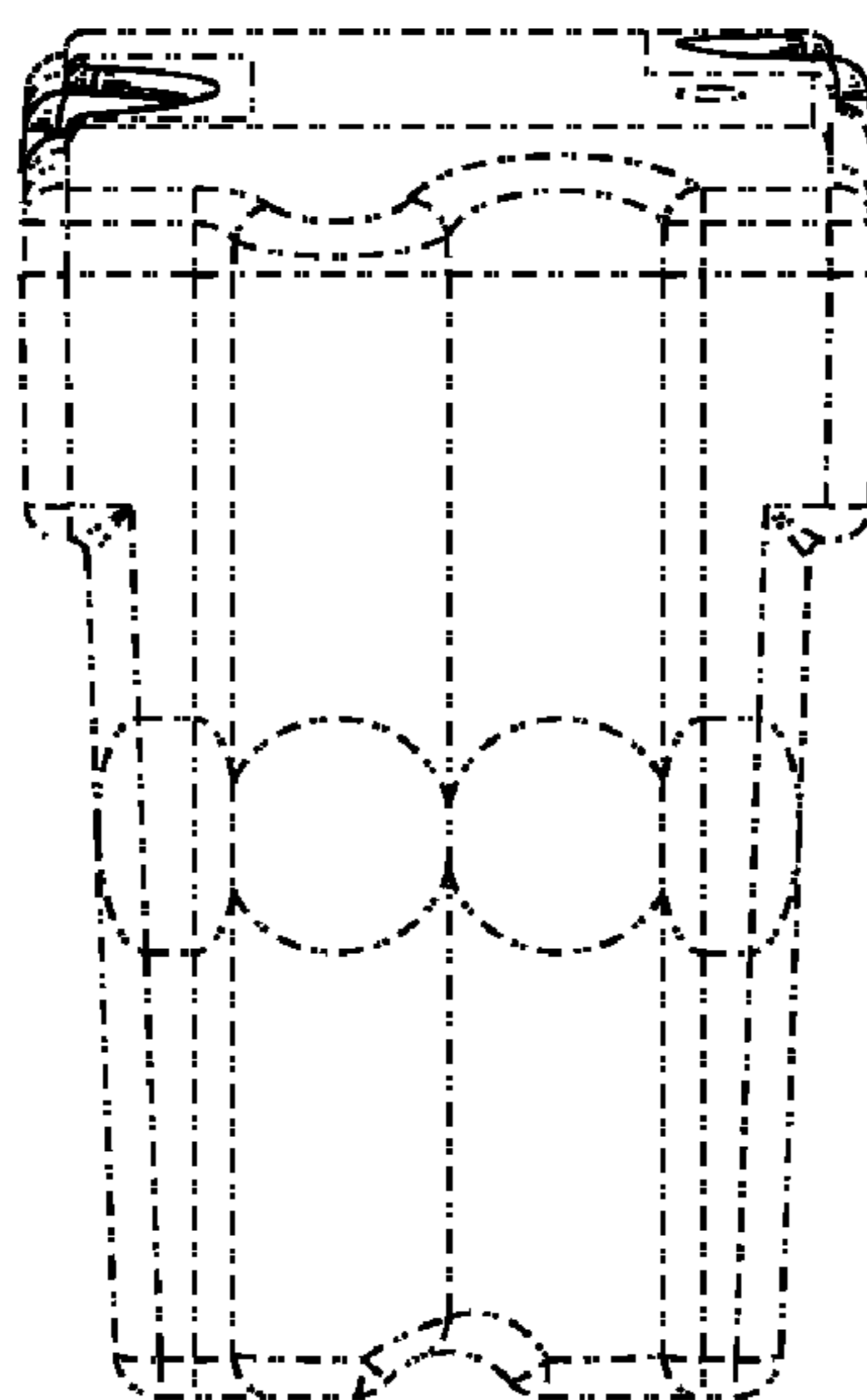


FIG. 3

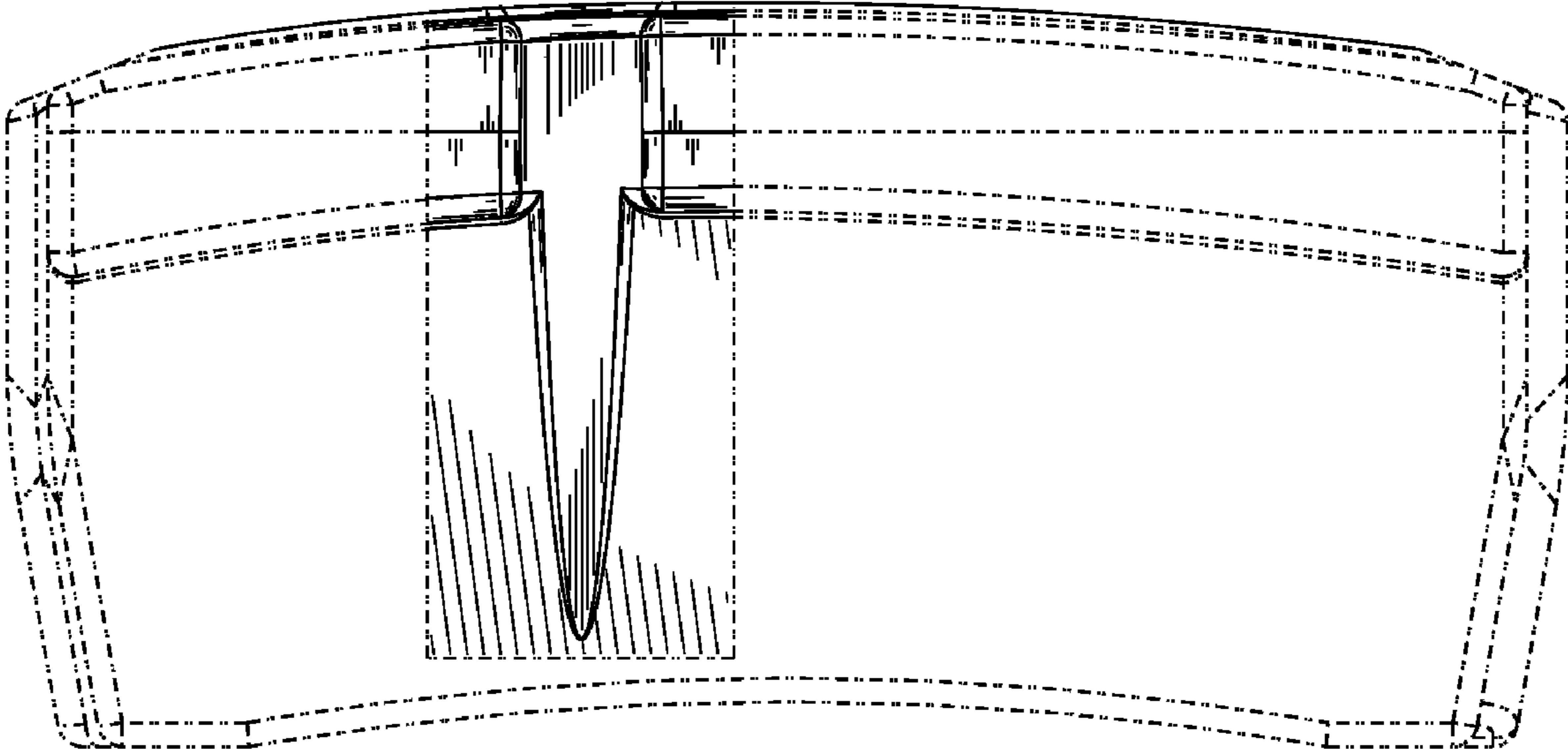


FIG. 4

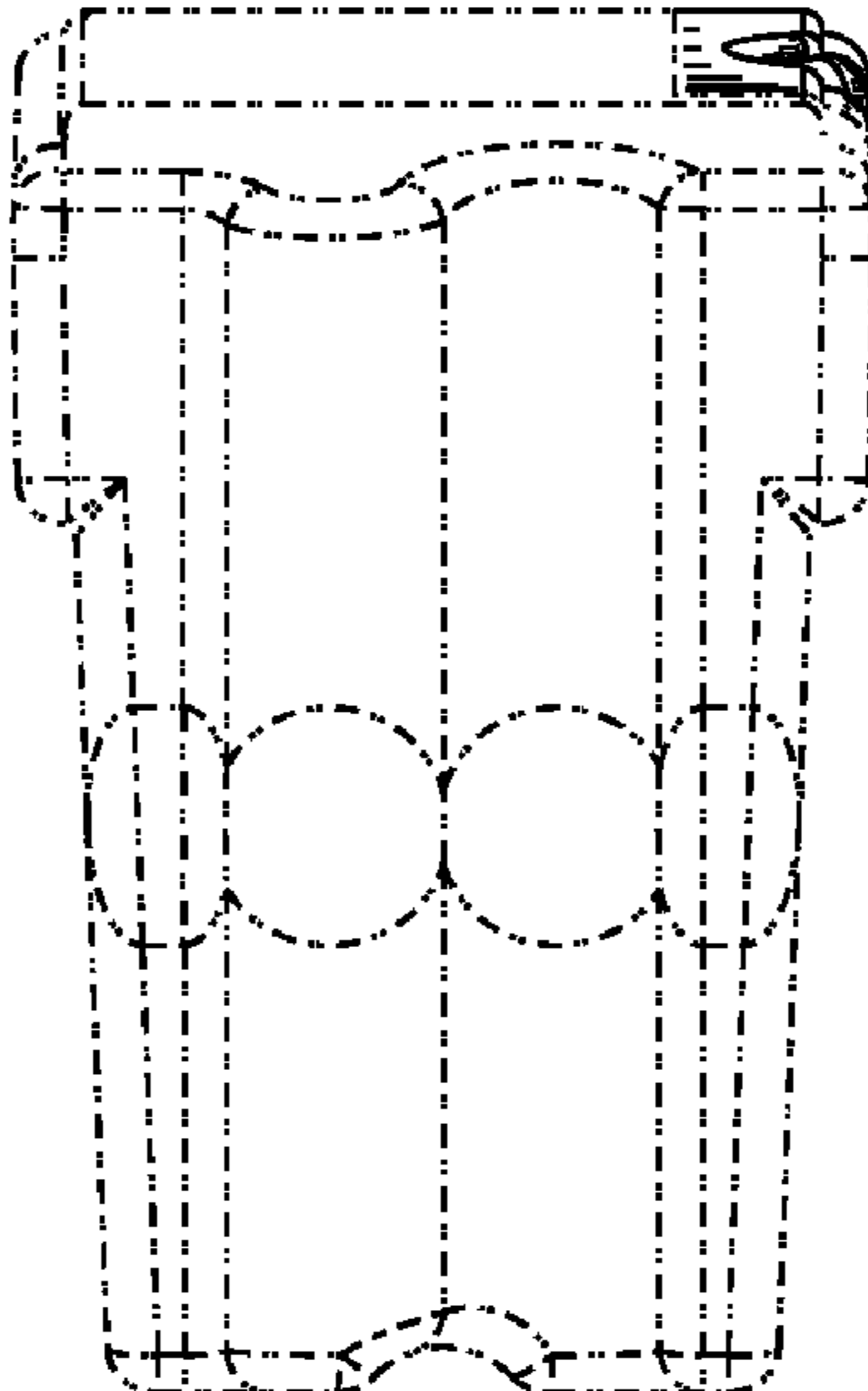


FIG. 5

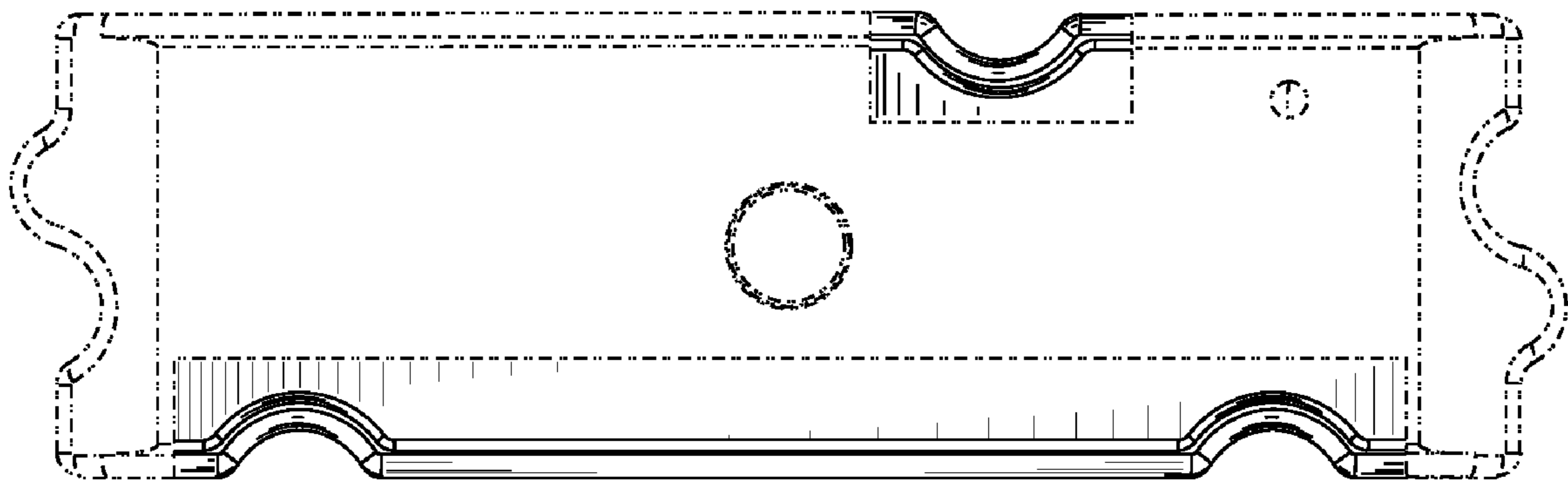


FIG. 6